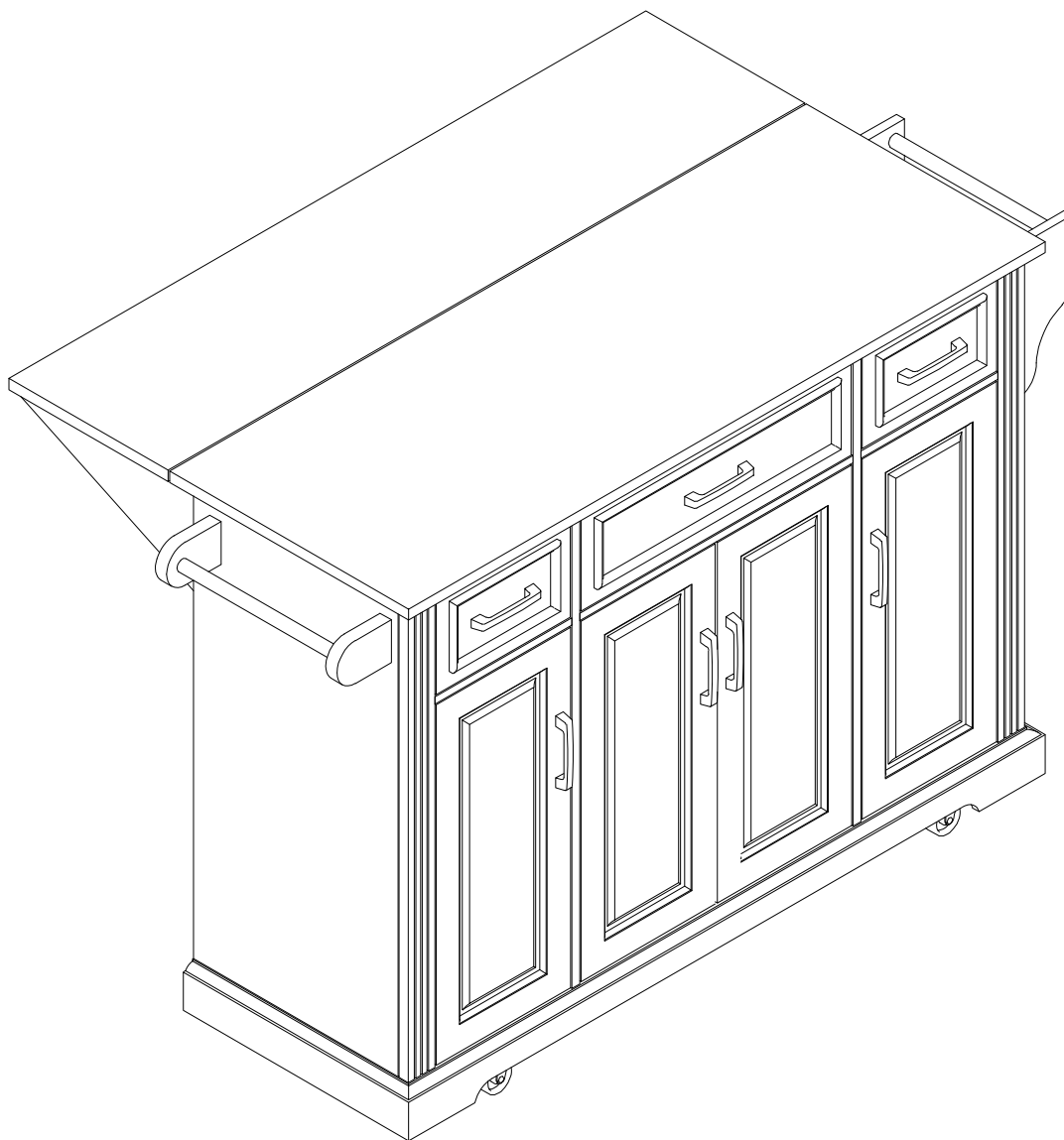


Kitchen Island Cart

Assembly Instructions - Please keep for future reference



Important - Please read these instructions fully before starting assembly



Safety and Care Advice

Important – Please read these instructions fully before starting assembly

- Check you have all the components and tools listed on the following pages.
- Remove all fittings from the plastic bags and separate them into their groups.
- Keep children and animals away from the work area, small parts could choke if swallowed.
- Make sure you have enough space to layout the parts before starting.

- During assembly do not stand or put weight on the product, this could cause damage.
- Assemble the item as close to its final position (in the same room) as possible.
- Assemble on a soft level surface to avoid damaging the unit or your floor.
- Parts of the assembly will be easier with 2 people.



power drill is set on a low torque setting.

- To reduce the likelihood of damaging your product please ensure that your

Care and maintenance

- Only clean using a damp cloth and mild detergent, do not use bleach or abrasive cleaners.
- From time to time check that there are no loose screws on this unit.
- This product should not be discarded with household waste. Take to your local authority waste disposal centre.

Handy Hints

- Assemble all parts and bolts loosely during assembly, only once the product is complete should you fully tighten the bolts
- Regularly check and ensure That all bolts and fittings are tightened properly.

WARNING
In order to help prevent overturning – please follow these instructions


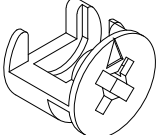
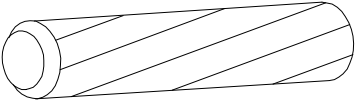
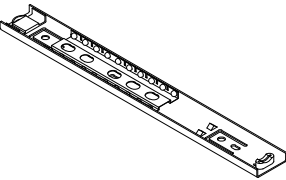
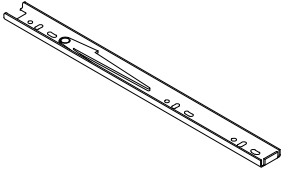
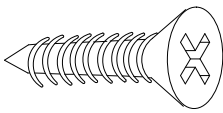
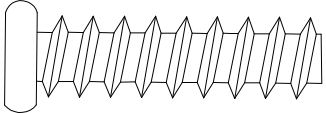
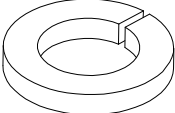
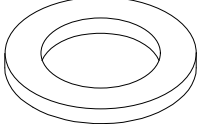
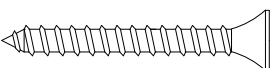
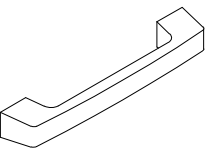
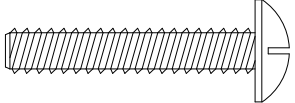
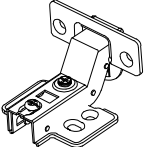
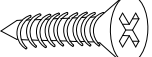
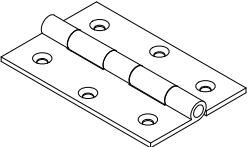
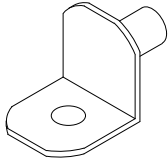
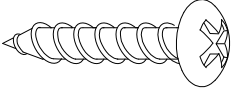
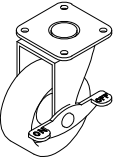
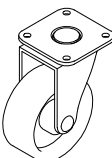



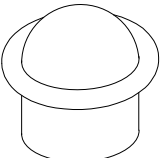

To help prevent product toppling over please follow the below steps:-

- Use the anti tip stap or wall fixing method provided (if applicable)
- Do not allow children to climb or hang on the furniture
- Do not open more than one drawer at a time
- Do not place heavy items in the top drawers
- Do not place heavy items on top of the furniture, unless the furniture has been designed for this purpose

Components - Fittings

Please check you have all the panels listed below

Note: The quantities below are the correct amount to complete the assembly. In some cases, more fittings may be supplied than required.

<p>1 QTY: 36</p>  <p>CAM BOLT</p>	<p>2 QTY: 36</p>  <p>CAM LOCK</p>	<p>3 QTY: 30</p>  <p>WOOD DOWEL $\text{Ø}6*25\text{mm}$</p>	
<p>4 QTY: 6</p>  <p>BALL BEARING GLIDE</p>	<p>5 QTY: 6</p>  <p>BALL BEARING GLIDE</p>	<p>6 QTY: 36</p>  <p>FLAT HEAD SCREW $\text{Ø}6*12\text{mm}$</p>	
<p>7 QTY: 4</p>  <p>BOLT $1/4"*32\text{mm}$</p>	<p>8 QTY: 4</p>  <p>SPRING WASHER</p>	<p>9 QTY: 4</p>  <p>FLAT WASHER</p>	
<p>10 QTY: 12</p>  <p>FLAT HEAD SCREW $\text{Ø}6*25\text{mm}$</p>	<p>11 QTY: 7</p>  <p>HANDLE</p>	<p>12 QTY: 14</p>  <p>BOLT $\text{Ø}8*15\text{mm}$</p>	
<p>13 QTY: 8</p>  <p>HINGES</p>	<p>14 QTY: 90</p>  <p>FLAT HEAD SCREW $\text{Ø}7*15\text{mm}$</p>	<p>15 QTY: 7</p>  <p>HINGES</p>	<p>16 QTY: 12</p>  <p>SHELF PIN</p>
<p>17 QTY: 8</p>  <p>ROUND HEAD SCREW $\text{Ø}7*15\text{mm}$</p>	<p>18 QTY: 2</p>  <p>CASTER</p>	<p>19 QTY: 2</p>  <p>CASTER</p>	<p>20 QTY: 6</p>  <p>FLAT HEAD SCREW $\text{Ø}8*25\text{mm}$</p>
<p>21 QTY: 1</p>  <p>CAMTOOL</p>	<p>22 QTY: 1</p>  <p>ALLEN KEY</p>	<p>23 QTY: 2</p>  <p>SPRING BALL LATCH</p>	<p>24 QTY: 16</p>  <p>BOLT $\text{Ø}1/4"*12\text{mm}$</p>

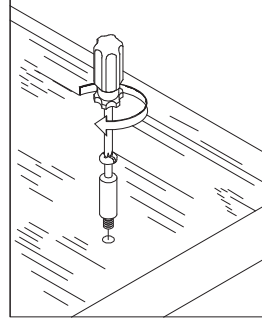
Using Camlocks

Step 1

Connect the male camlock as directed in the assembly instructions using a screwdriver.

1

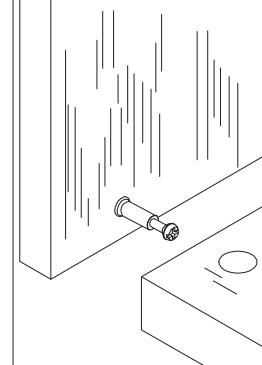
DO NOT OVER TIGHTEN.
NE PAS SERRER EXCESSIVEMENT.



Step 2

Push the male camlock into the entry hole.

2

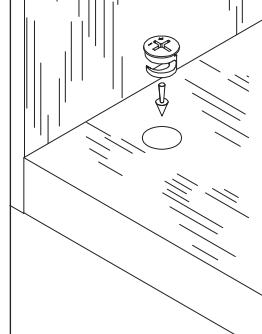


Step 3

Insert the female camlock as shown in the instruction.

Note: ensure that the arrow on the top of the camlock points towards the entry hole for the male camlock.

3



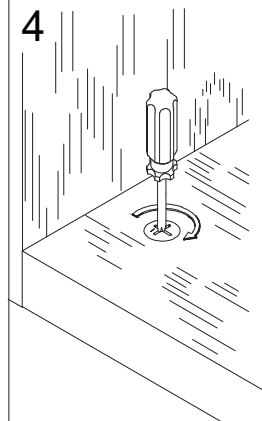
Step 4

Turn the female camlock clockwise with a screwdriver.

You should feel a click when the camlock is locked in place.

The joint is now secure.

4



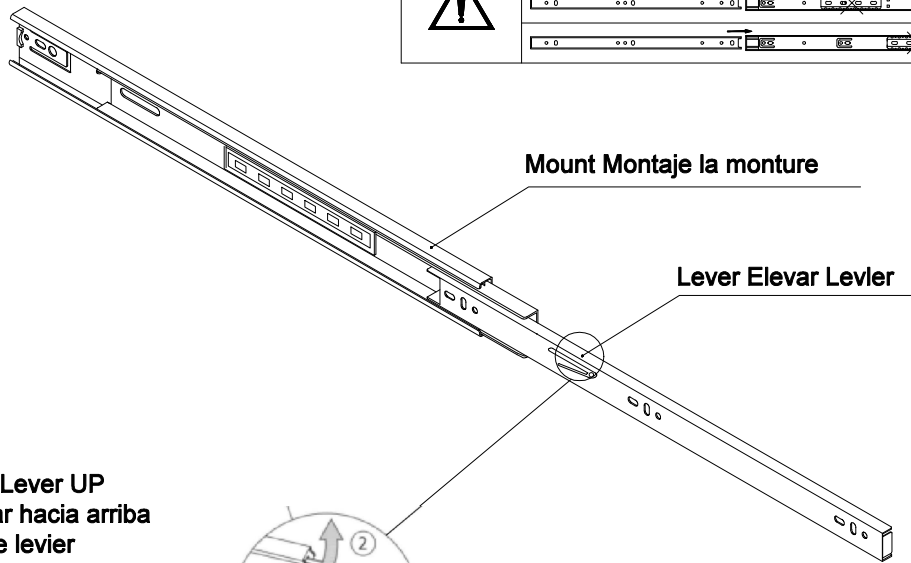
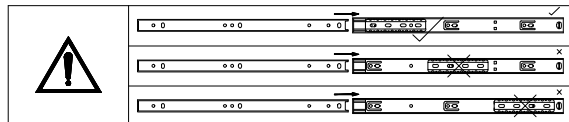
**Slides Must Be Separated Before Assembly.
After Separated, Set Aside Until Needed for Assembly.**

Las diapositivas deben separarse antes del montaje.
Después de la separación, déjelo a un lado hasta que sea necesario.

Les glissières doivent être séparées avant l'assemblage.
Après la séparation, mettez de côté jusqu'au moment de l'assemblage.

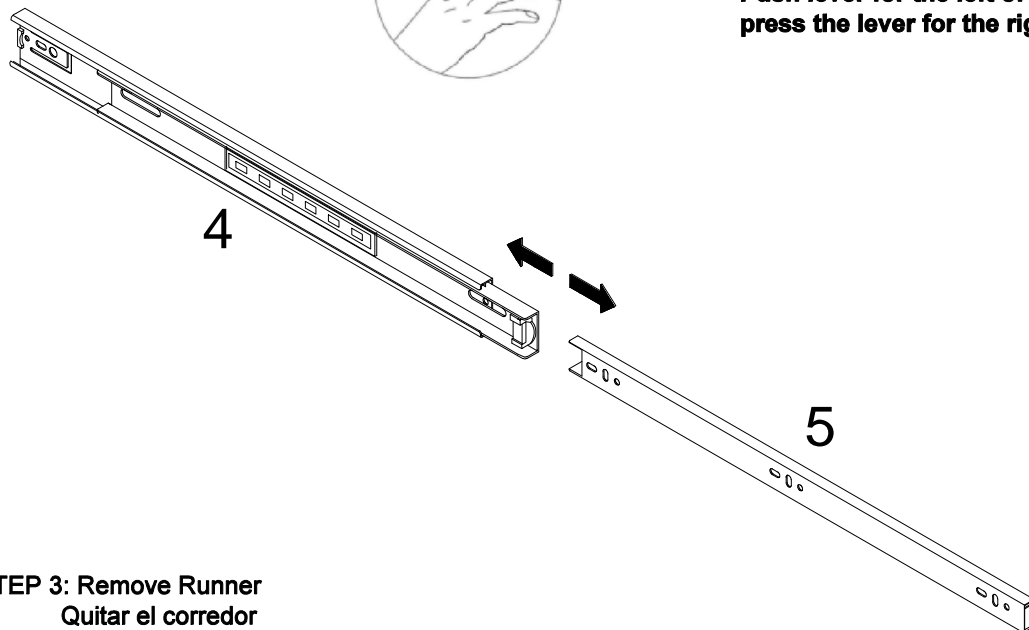
**Pay attention when connecting !
The sliding module must be at the front end.**

**STEP 1 : Extend Slide
Extender la diapositiva**



**STEP 2: Push Lever UP
Empujar hacia arriba
Lever le levier**

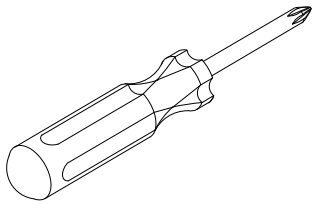
**Push lever for the left of drawer ,
press the lever for the right of drawer.**



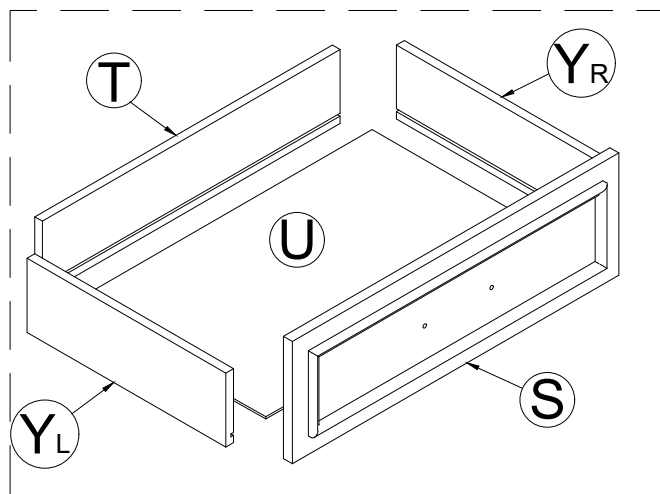
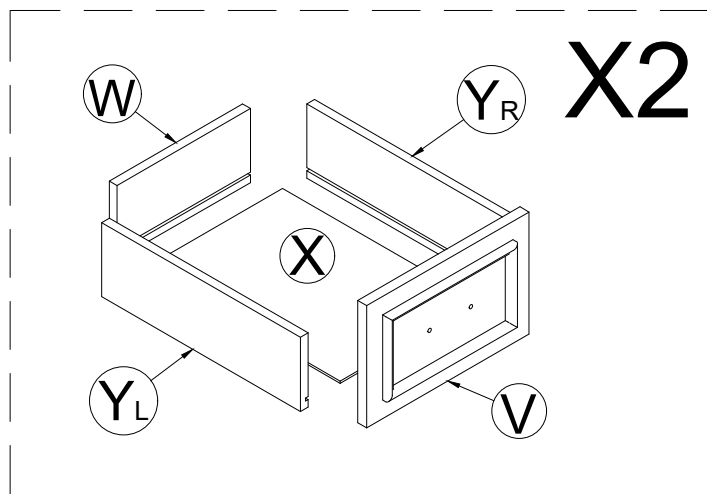
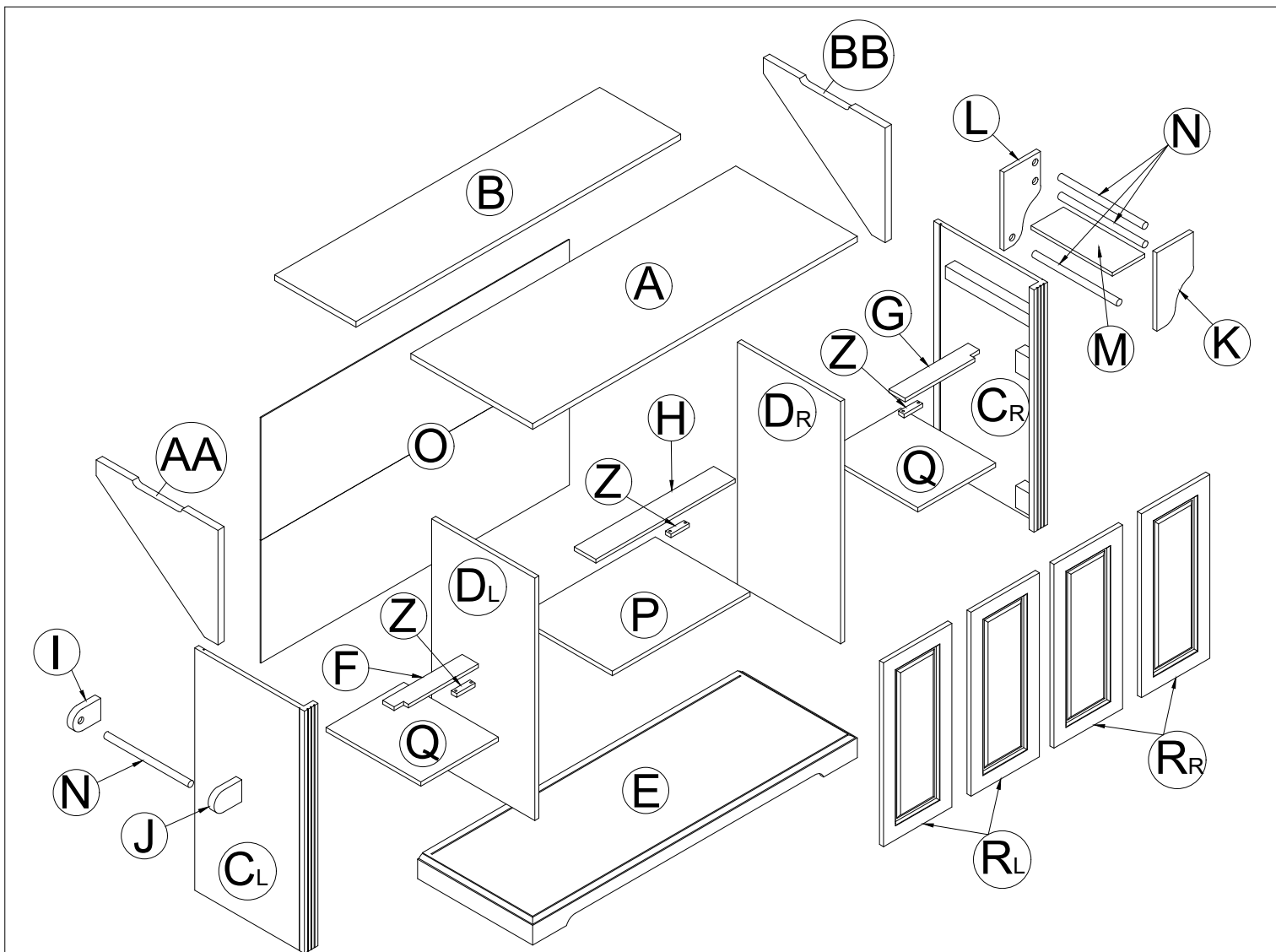
**STEP 3: Remove Runner
Quitar el corredor
Enever le coureur**

Assembly Instructions

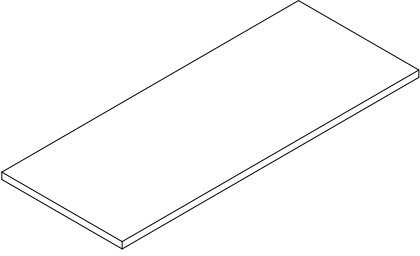
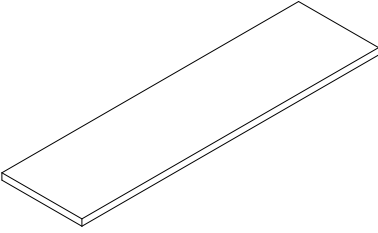
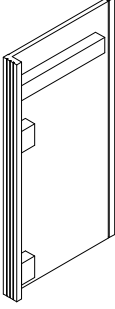
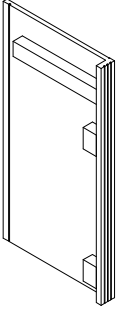
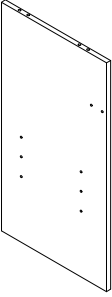

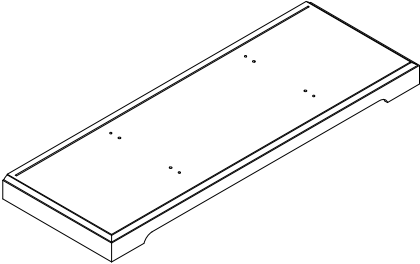
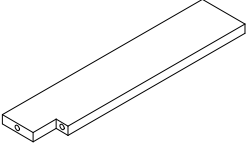
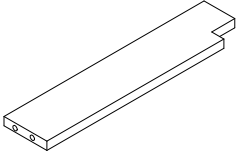
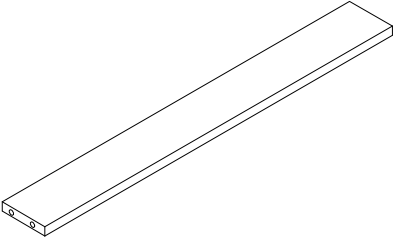
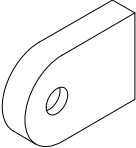
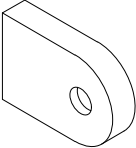
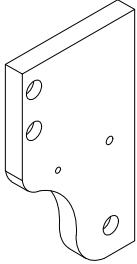
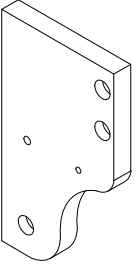
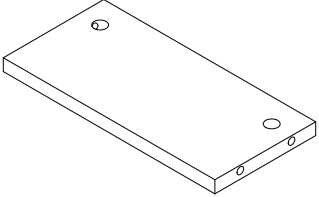
Tool required



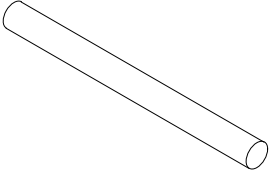
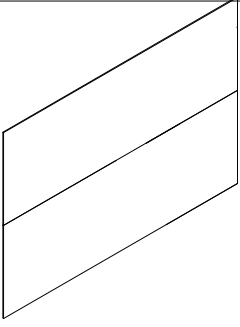
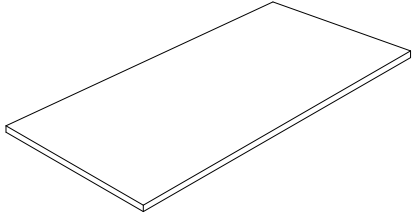
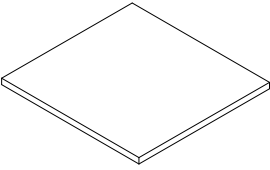
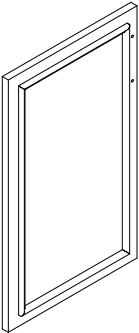
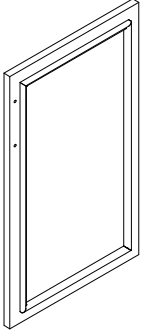
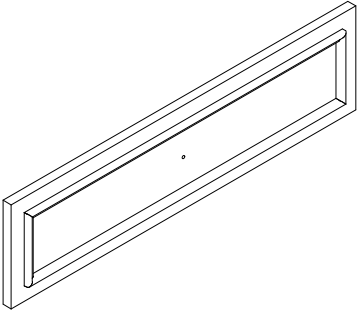
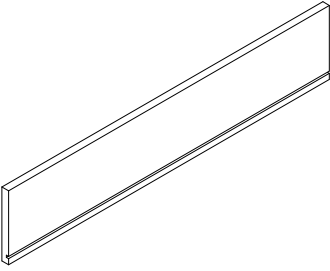
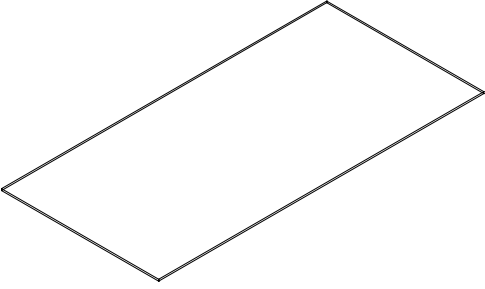
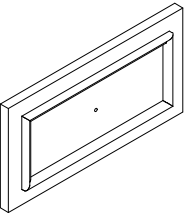
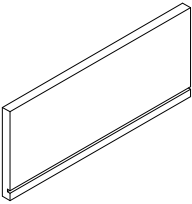
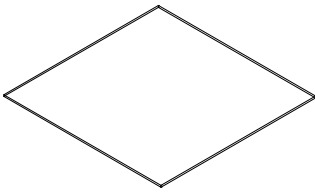
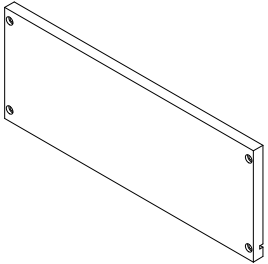
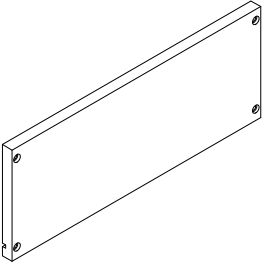
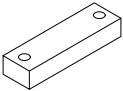
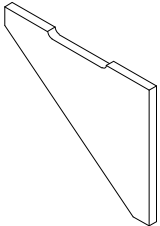
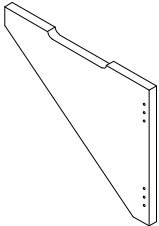
Phillips screw driver
(medium & large)



Assembly Instructions

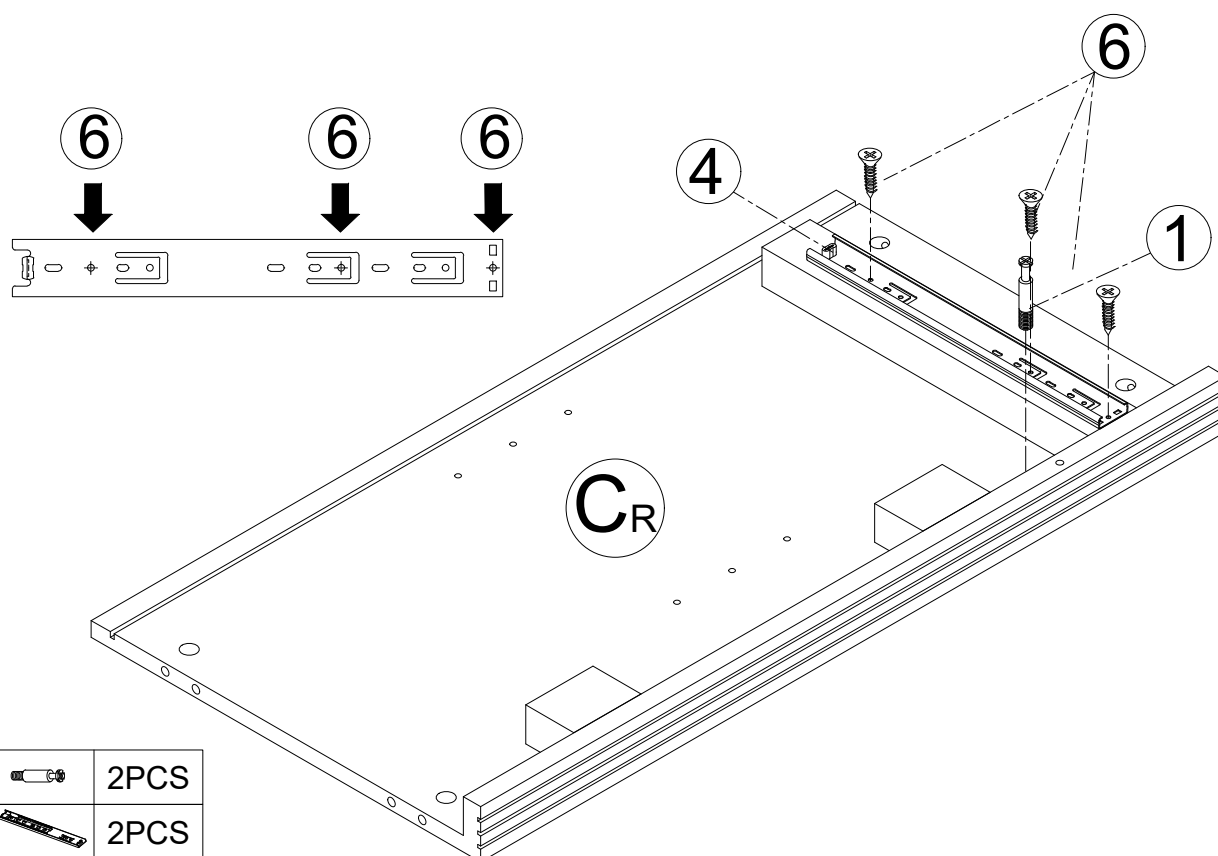
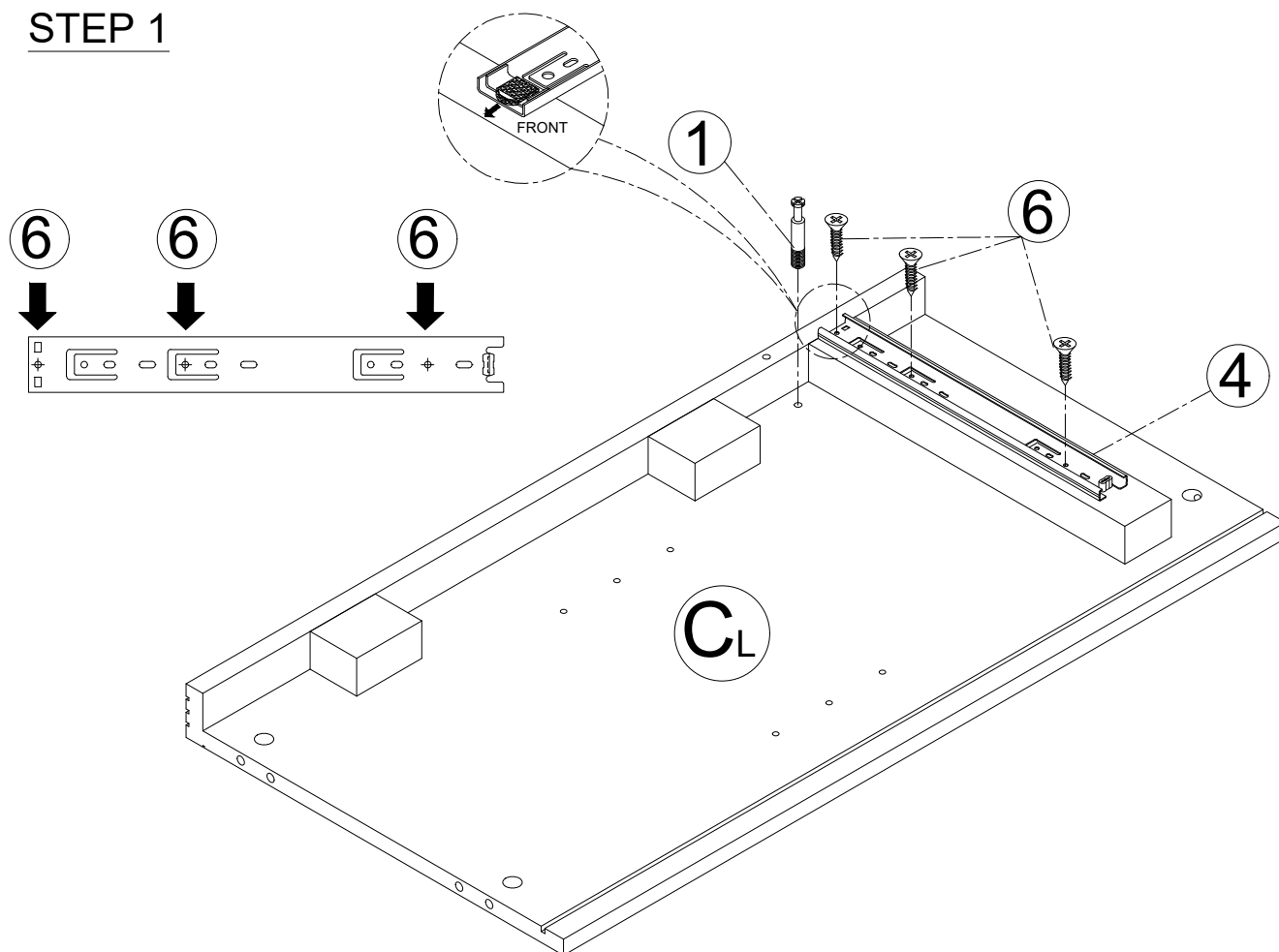
<p>A</p> 	<p>B</p> 	<p>CL</p> 
<p>TOP PANEL QTY: 1</p>	<p>EXTENDED TOP PANEL QTY: 1</p>	<p>LEFT FRAME QTY: 1</p>
<p>CR</p> 	<p>DL</p> 	<p>DR</p> 
<p>RIGHT FRAME QTY: 1</p>	<p>CENTER PANEL - LEFT QTY: 1</p>	<p>CENTER PANEL - RIGHT QTY: 1</p>
<p>E</p> 	<p>F</p> 	<p>G</p> 
<p>BOTTOM PANEL QTY: 1</p>	<p>FRONT PANEL - LEFT QTY: 1</p>	<p>FRONT PANEL - RIGHT QTY: 1</p>
<p>H</p> 	<p>I</p> 	<p>J</p> 
<p>FRONT PANEL - MIDDLE QTY: 1</p>	<p>BRACKET - LEFT QTY: 1</p>	<p>BRACKET - RIGHT QTY: 1</p>
<p>K</p> 	<p>L</p> 	<p>M</p> 
<p>BRACKET - LEFT QTY: 1</p>	<p>BRACKET - RIGHT QTY: 1</p>	<p>BRACKET BOTTOM QTY: 1</p>




Assembly Instructions

<p>N</p> 	<p>O</p> 	<p>P</p> 	
<p>PULL BAR QTY: 4</p>	<p>BACK PANEL QTY: 1</p>	<p>MIDDLE SHELF QTY: 1</p>	
<p>Q</p> 	<p>RL</p> 	<p>RR</p> 	
<p>LEFT/RIGHT SHELF QTY: 2</p>	<p>LEFT DOOR QTY: 2</p>	<p>RIGHT DOOR QTY: 2</p>	
<p>S</p> 	<p>T</p> 	<p>U</p> 	
<p>DRAWER FRONT QTY: 1</p>	<p>DRAWER BACK QTY: 1</p>	<p>DRAWER BOTTOM QTY: 1</p>	
<p>V</p> 	<p>W</p> 	<p>X</p> 	<p>YL</p> 
<p>DRAWER FRONT QTY: 2</p>	<p>DRAWER BACK QTY: 2</p>	<p>DRAWER BOTTOM QTY: 2</p>	<p>DRAWER LEFT QTY: 3</p>
<p>YR</p> 	<p>Z</p> 	<p>AA</p>  <p>QTY: 1</p>	<p>BB</p>  <p>QTY: 1</p>
<p>DRAWER RIGHT QTY: 3</p>	<p>DOOR STOP QTY: 3</p>	<p>EXTENDED SUPPORT</p>	<p>EXTENDED SUPPORT</p>

Assembly Instructions

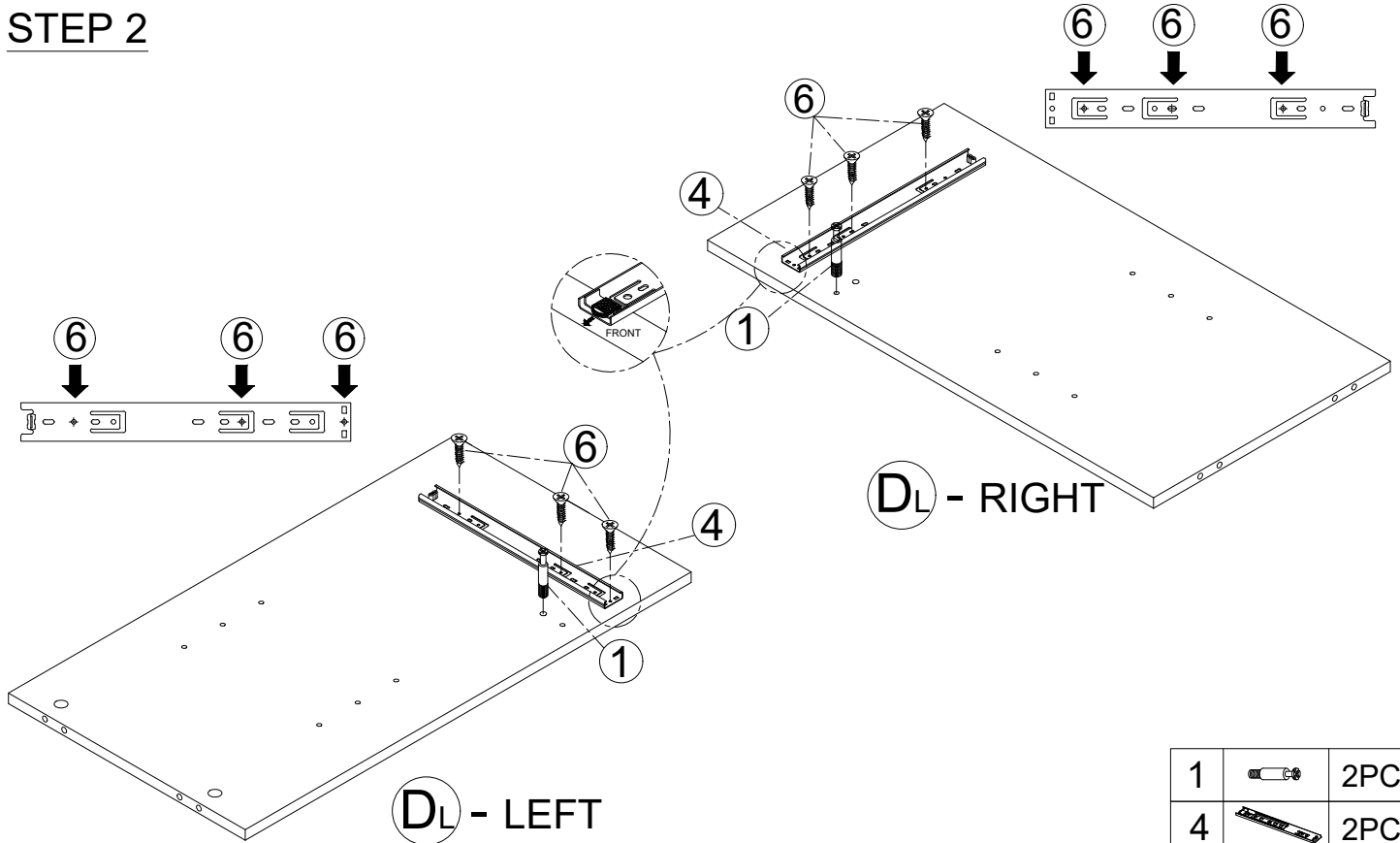
STEP 1



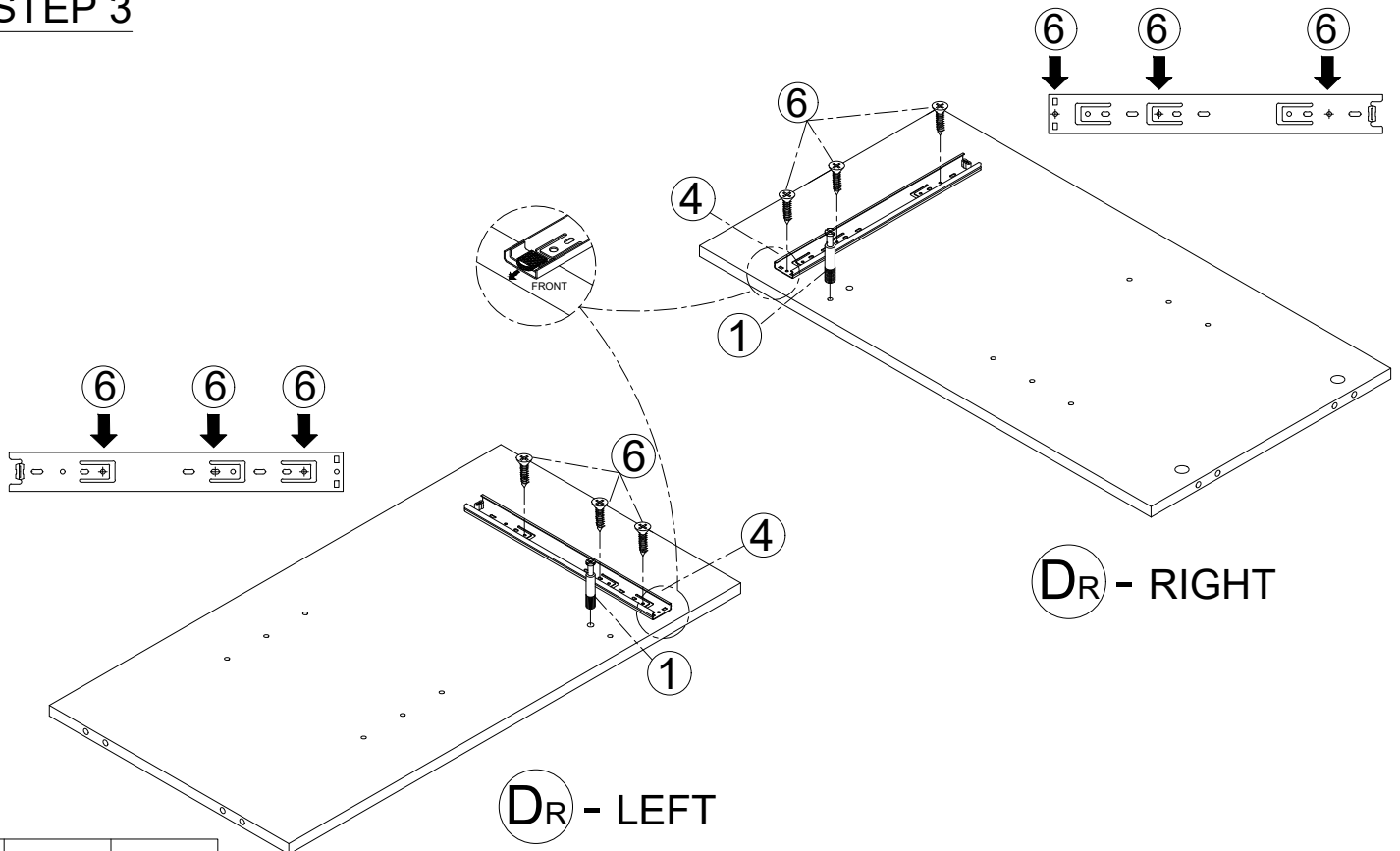
1		2PCS
4		2PCS
6		6PCS

Assembly Instructions

STEP 2



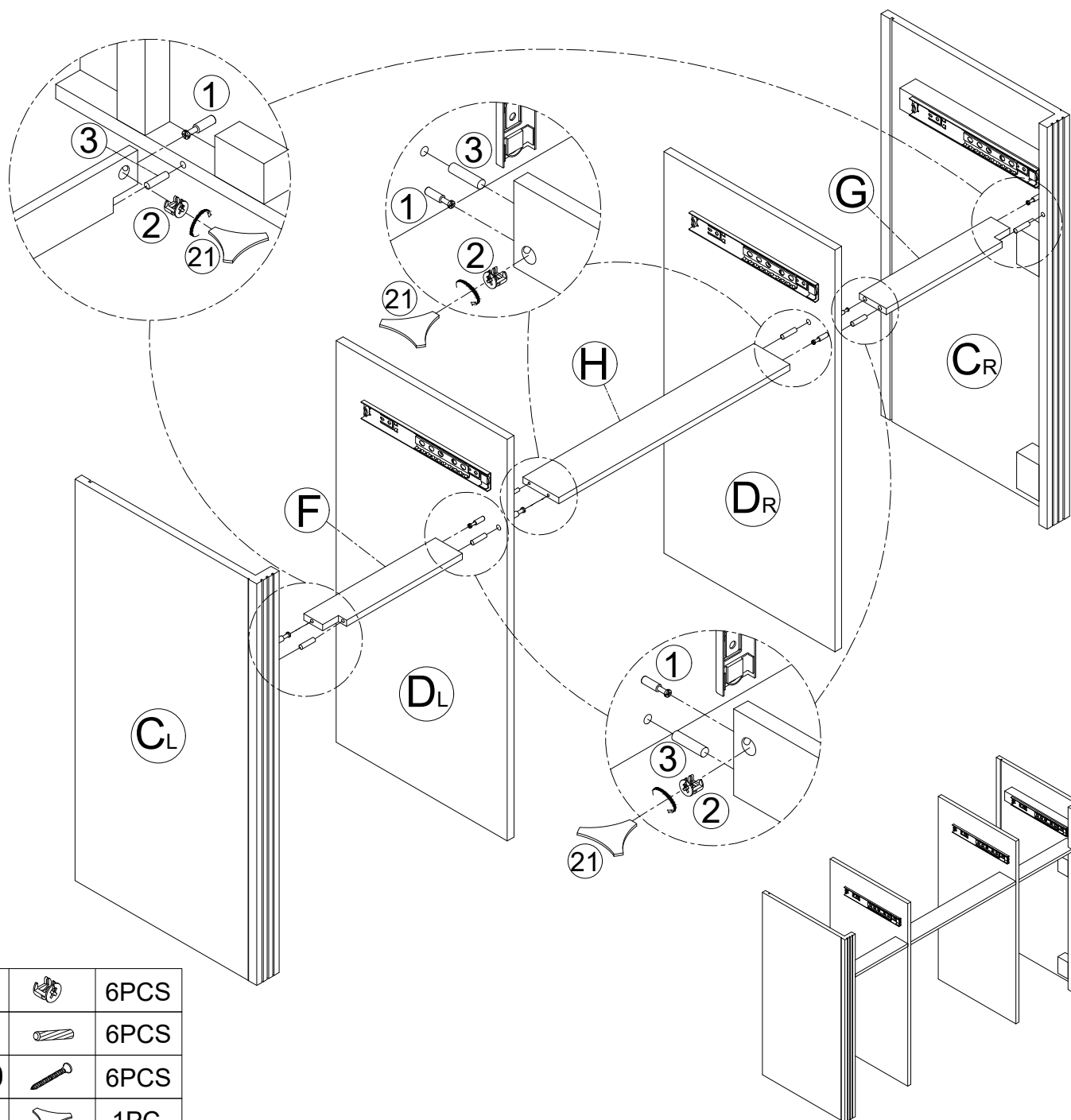
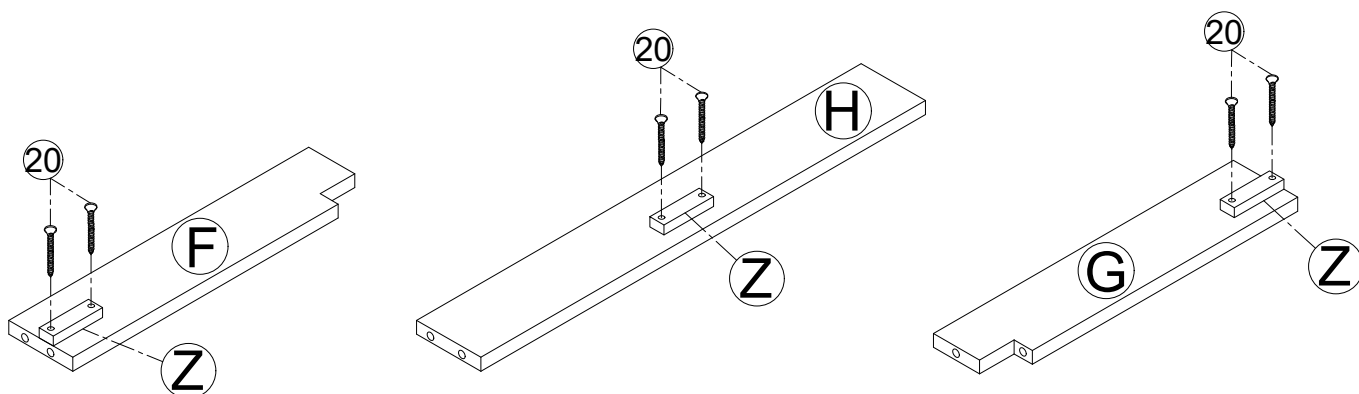
STEP 3



1		2PCS
4		2PCS
6		6PCS

Assembly Instructions

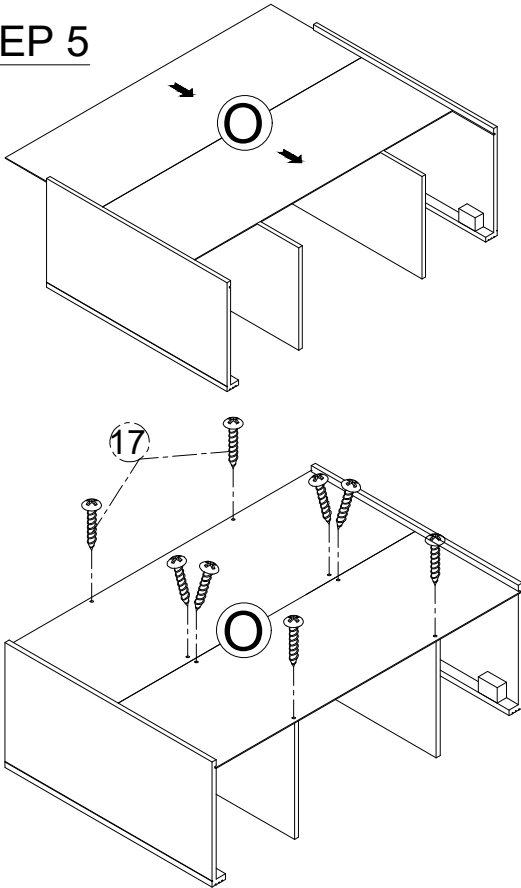
STEP 4



2		6PCS
3		6PCS
20		6PCS
21		1PC

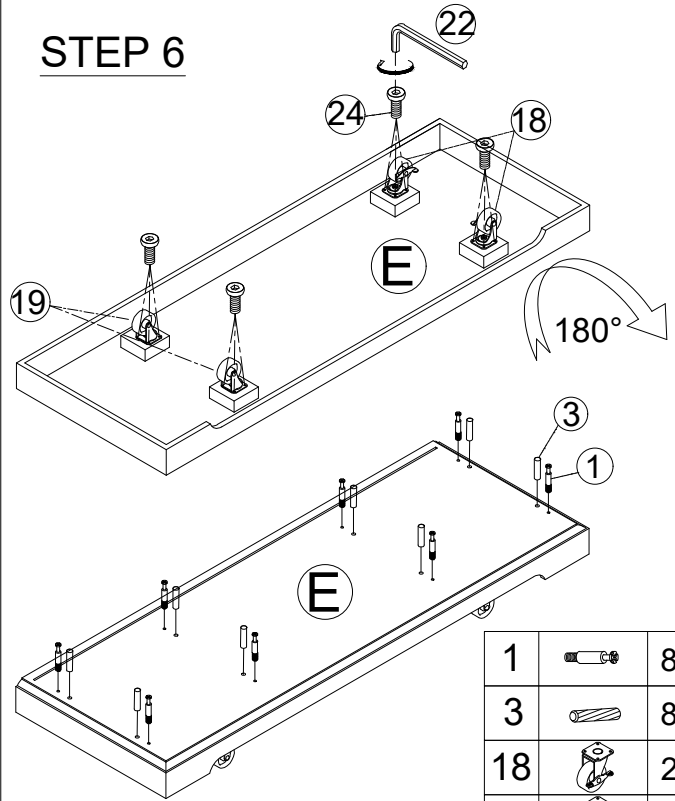
Assembly Instructions

STEP 5



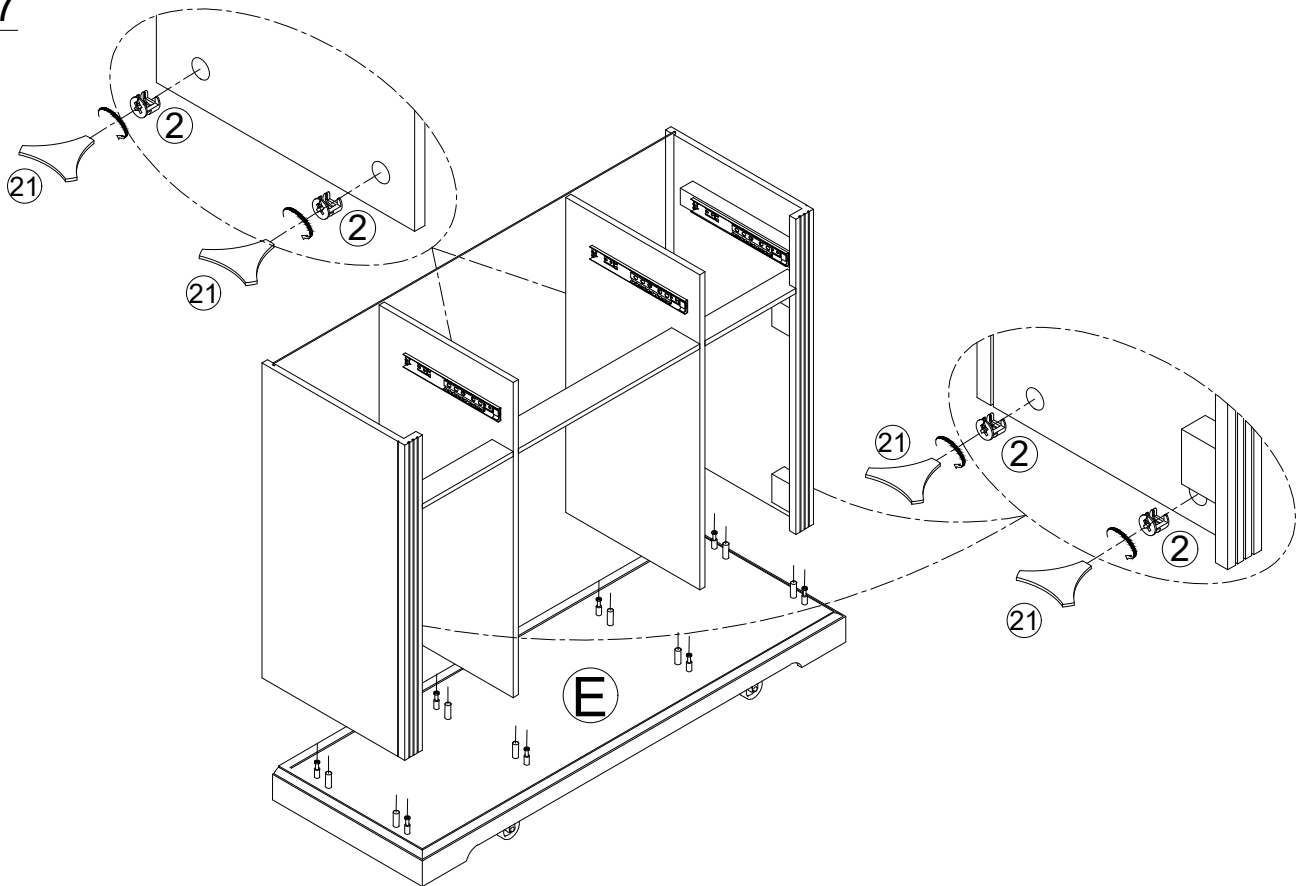
17		8PCS
----	--	------

STEP 6



1		8PCS
3		8PCS
18		2PCS
19		2PCS
22		1PC
24		16PCS

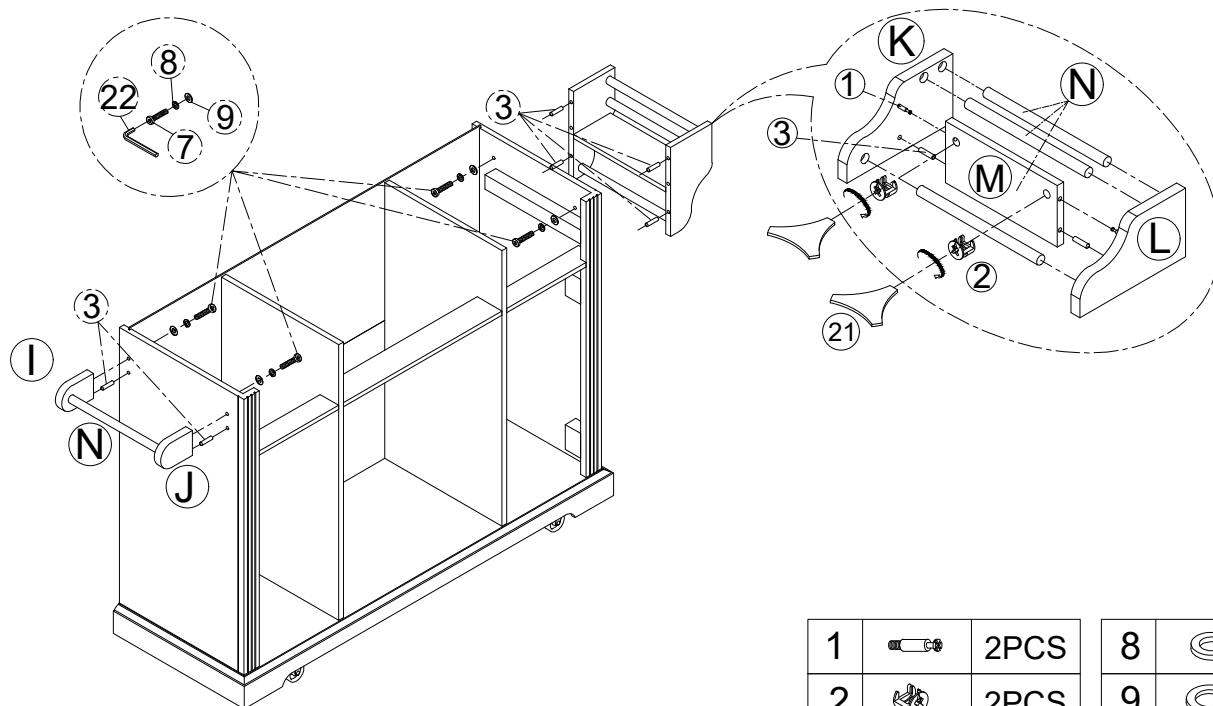
STEP 7



2		8PCS
21		1PC

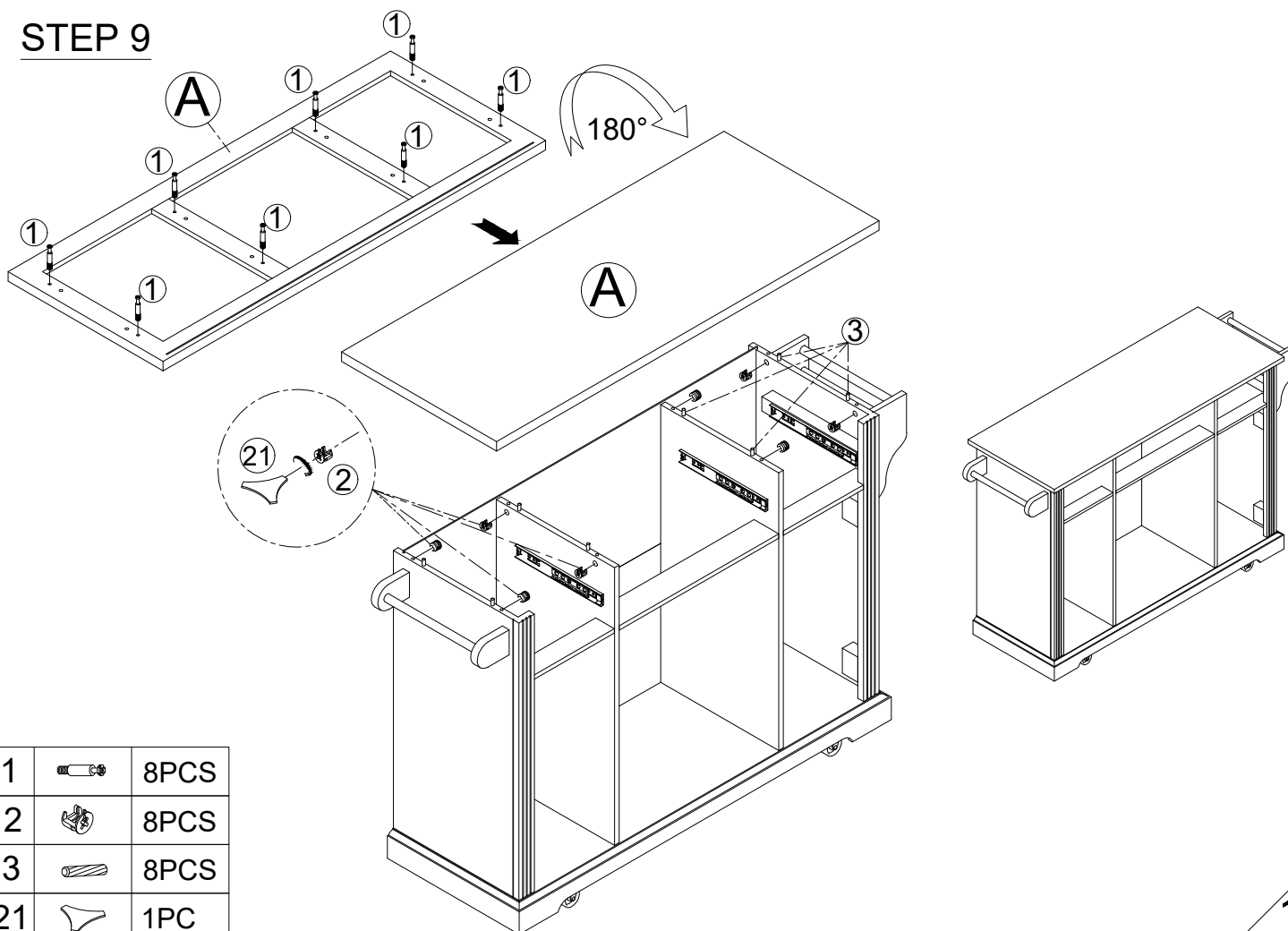
Assembly Instructions

STEP 8



1		2PCS	8		4PCS
2		2PCS	9		4PCS
3		8PCS	21		1PC
7		4PCS	22		1PC

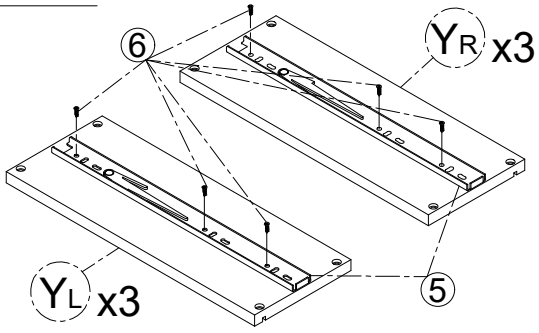
STEP 9



1		8PCS
2		8PCS
3		8PCS
21		1PC

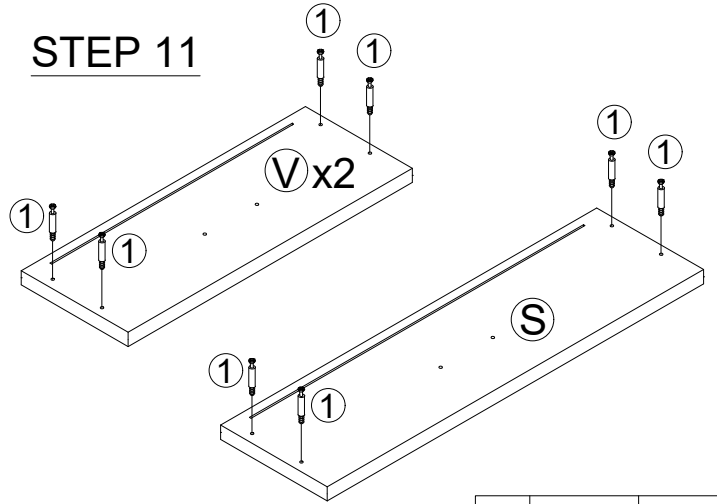
Assembly Instructions

STEP 10



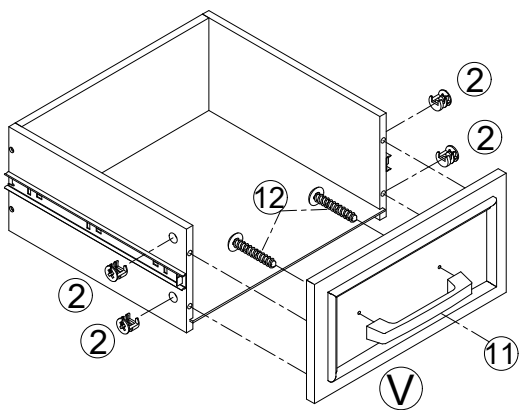
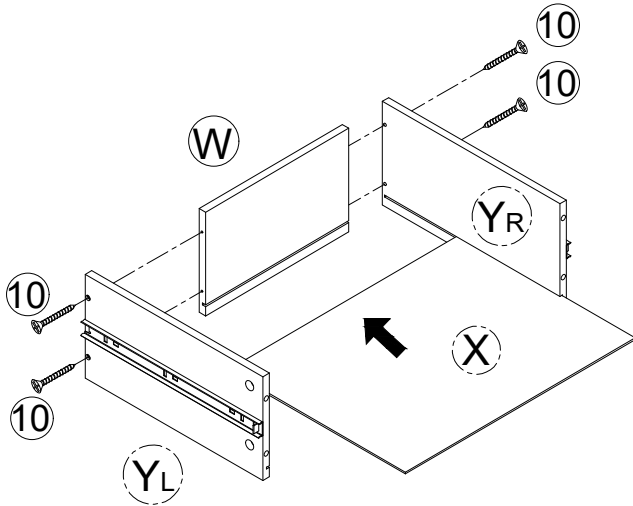
5		6PCS
6		18PCS

STEP 11



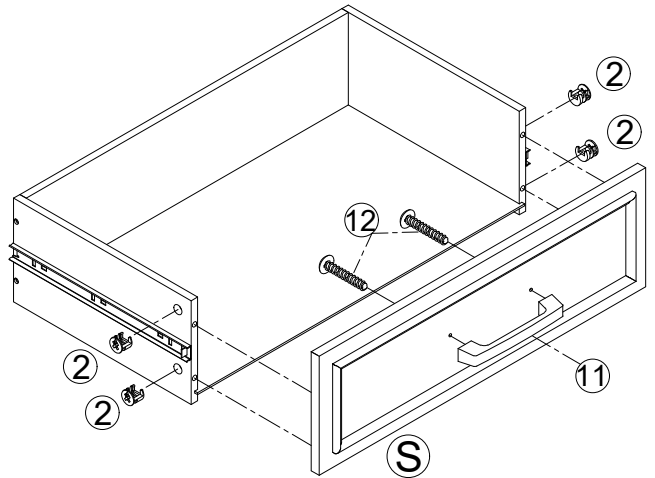
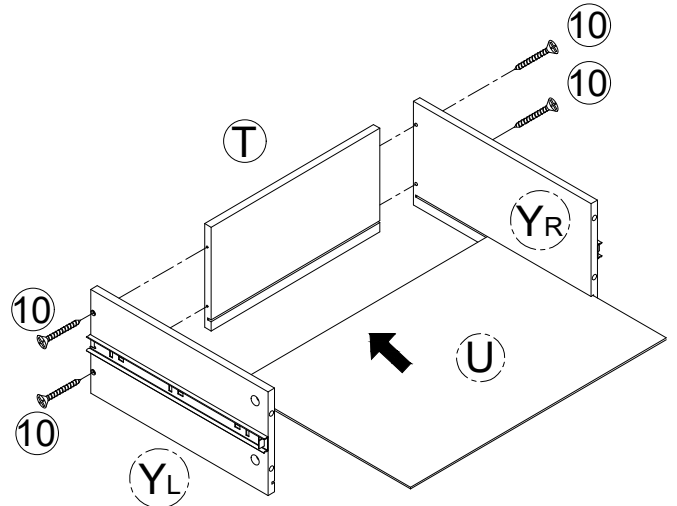
1		12PCS
---	--	-------

STEP 12



2		8PCS
10		8PCS
11		2PCS
12		4PCS

STEP 13

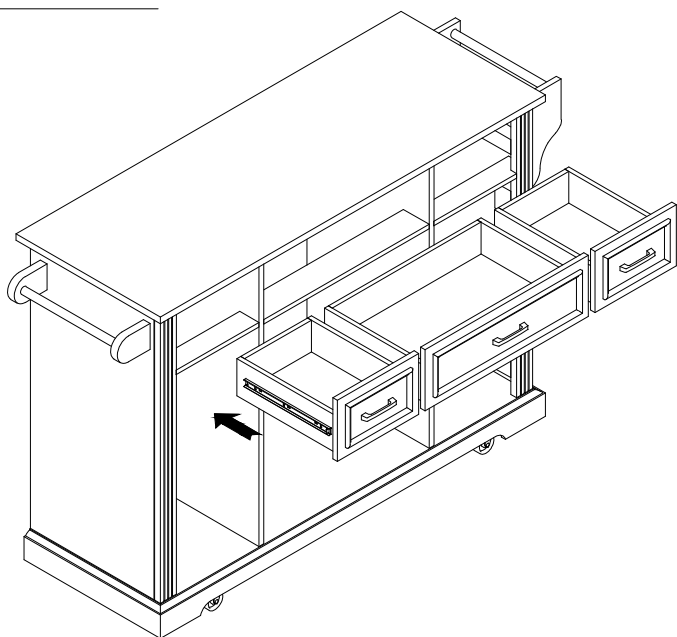


2		4PCS
10		4PCS
11		1PCS
12		2PCS

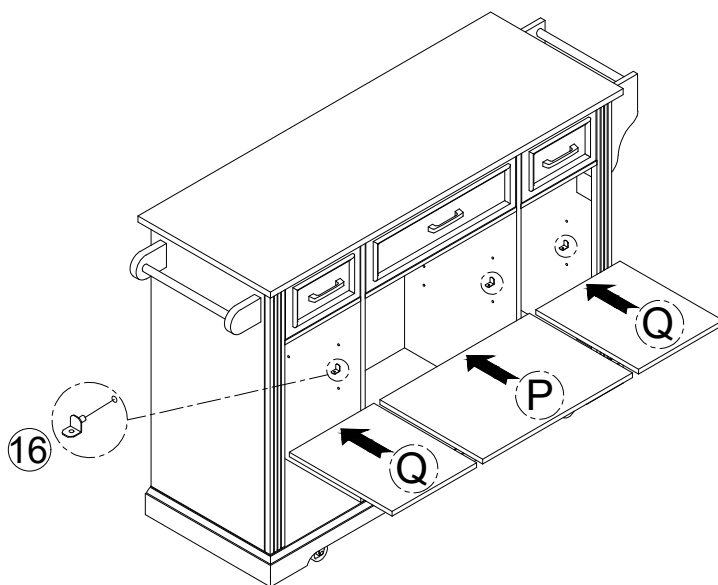
X2


Assembly Instructions

STEP 14

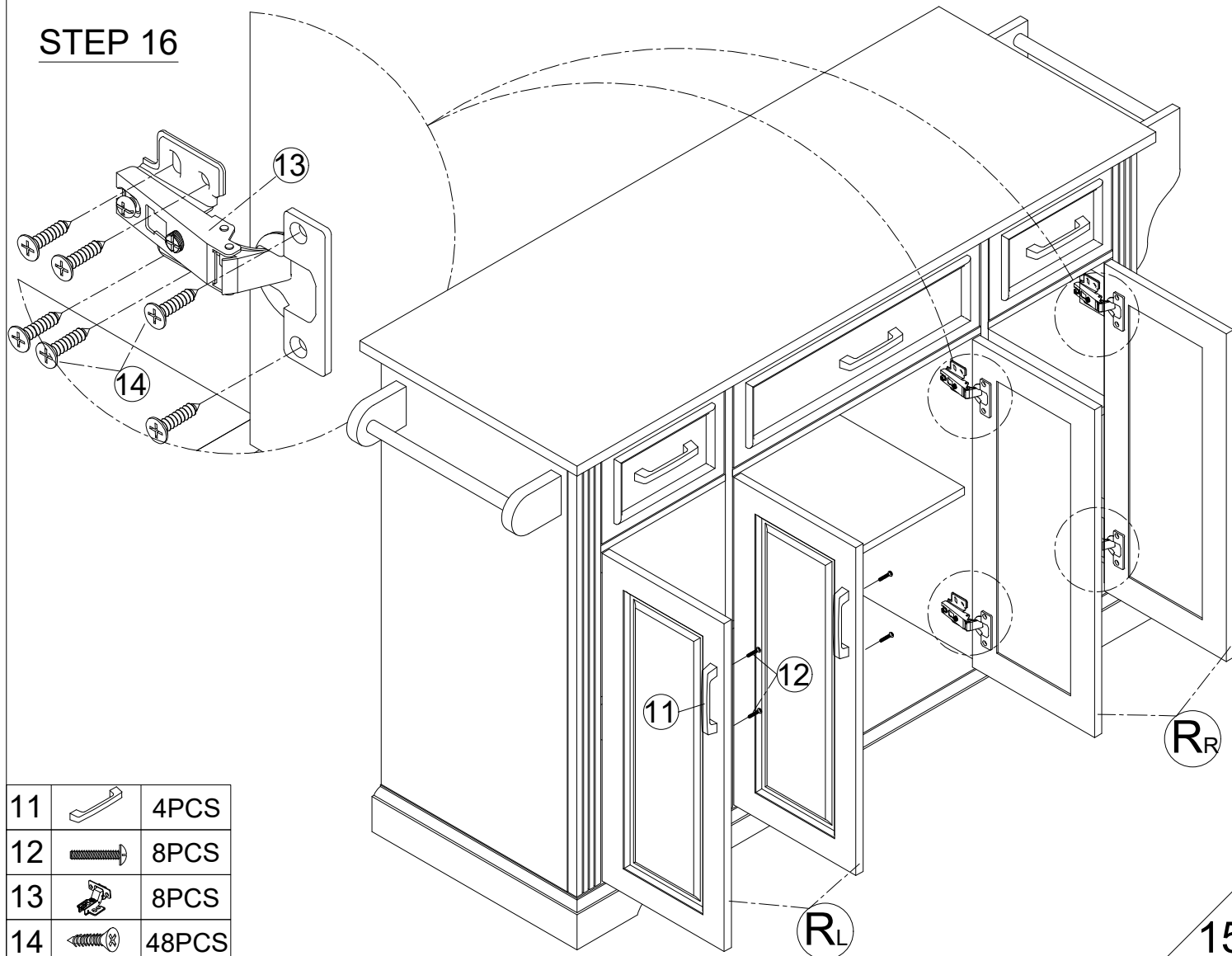






STEP 15



16  12PCS

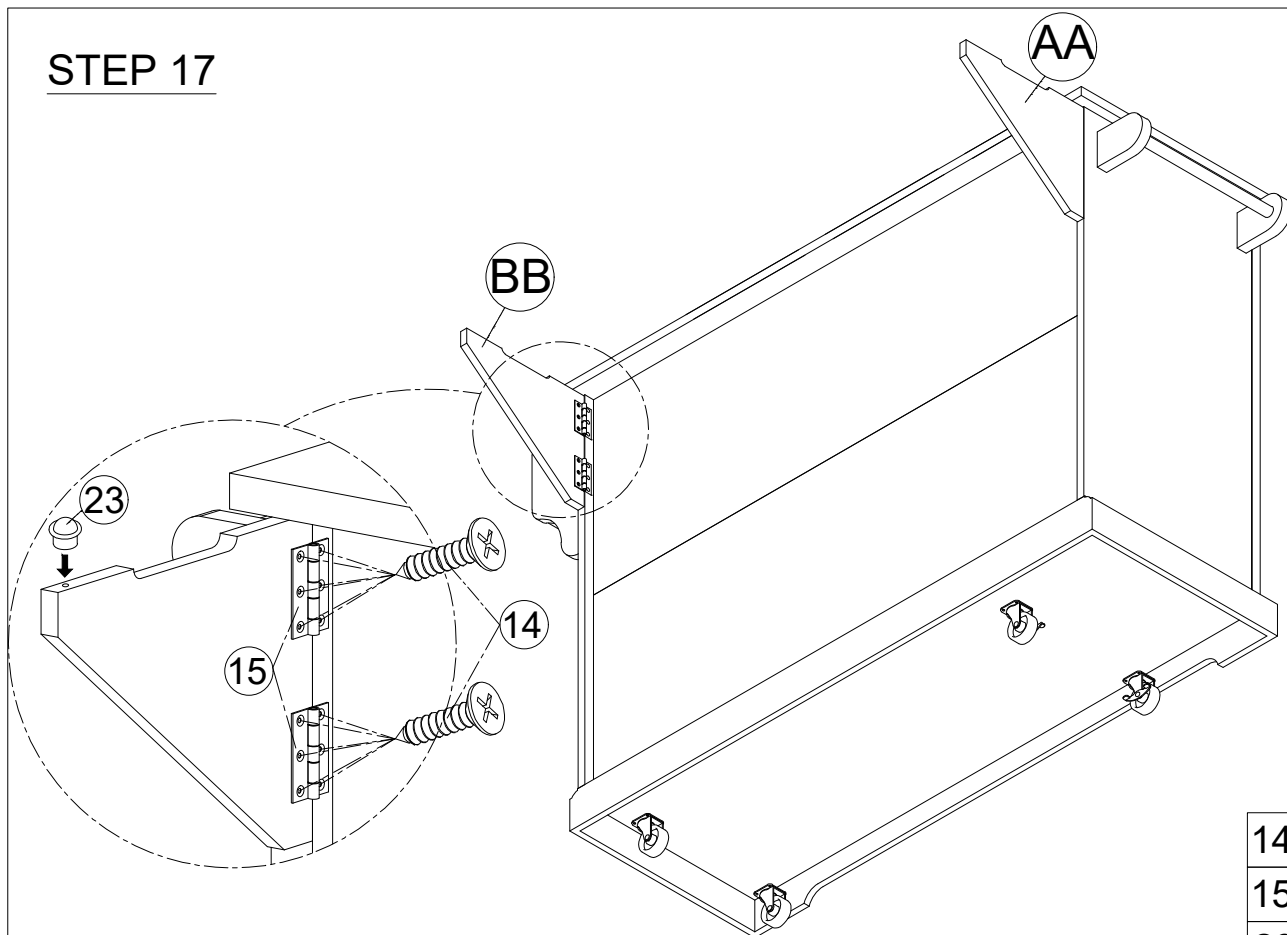
STEP 16




11		4PCS
12		8PCS
13		8PCS
14		48PCS

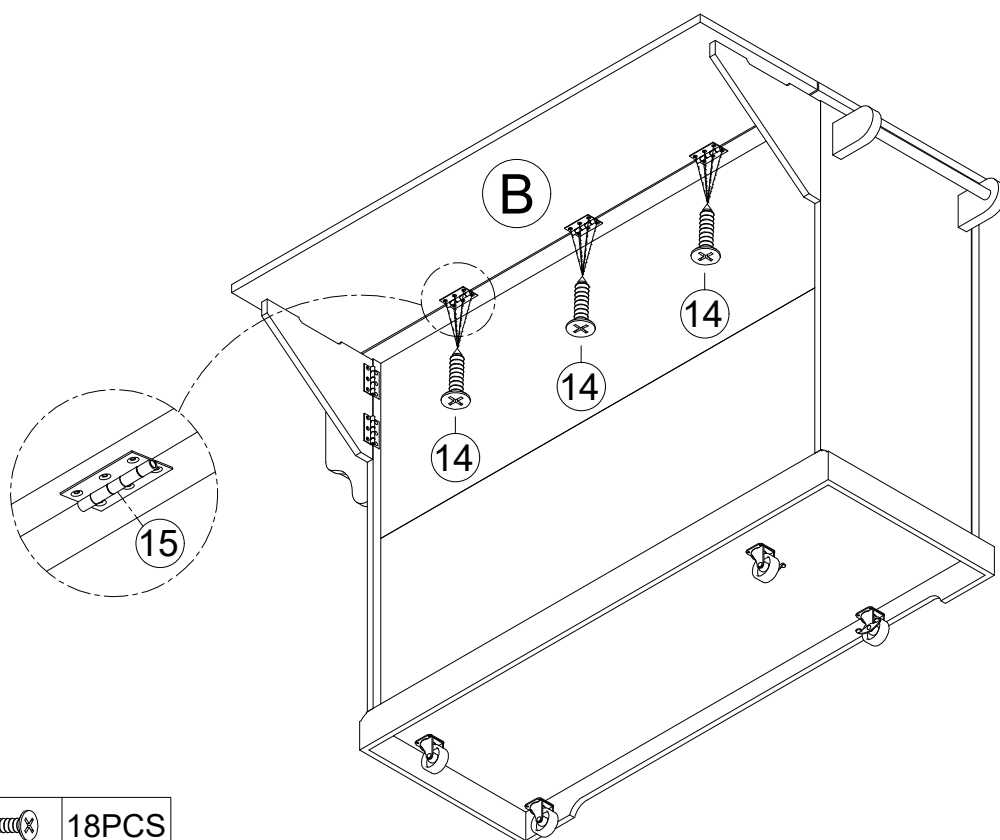
Assembly Instructions



STEP 17



14		24PCS
15		4PCS
23		2PCS

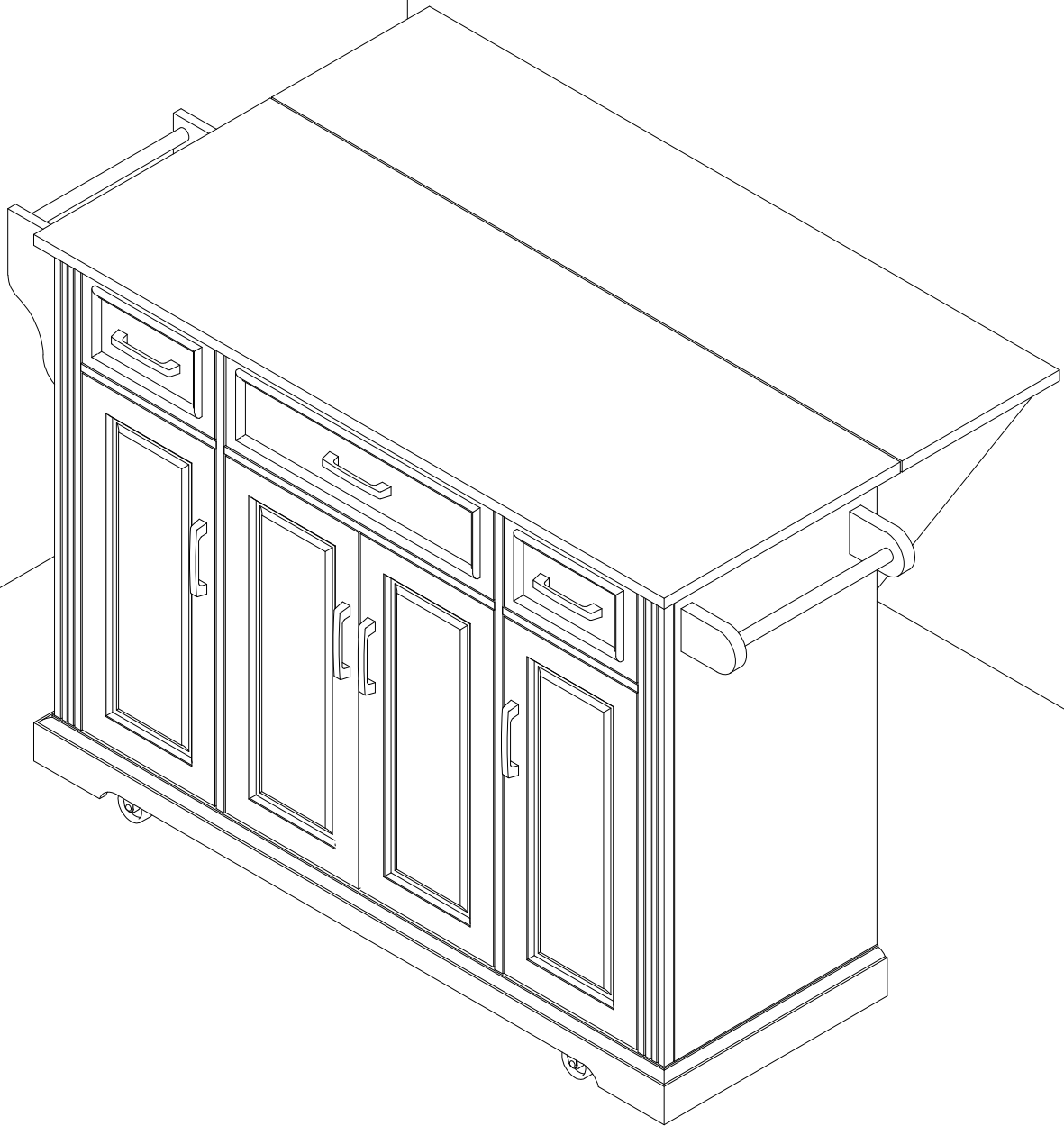
STEP 18



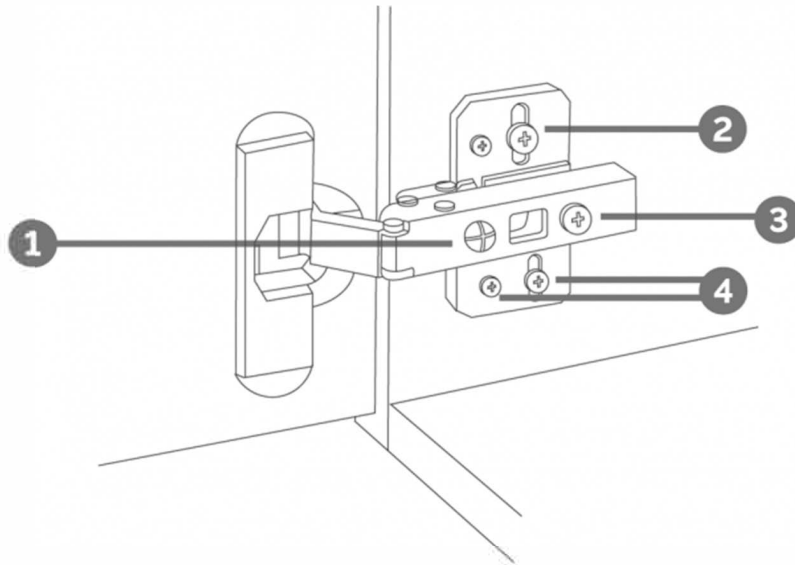
14		18PCS
15		3PCS

Assembly Instructions

Finish!

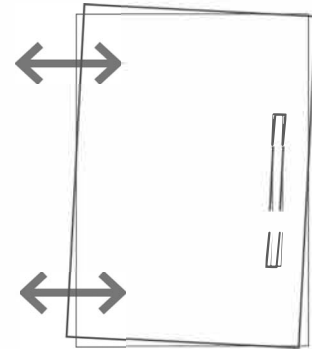


HINGE ADJUSTMENTS



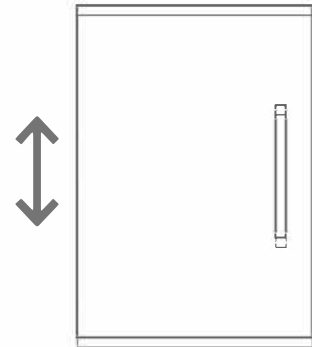
1 Sideways / Tilt adjustment

Turn the screw
clockwise to move the door further away from
the side of the cabinet
anticlockwise to move the door closer to the
side of the cabinet



2 4 Height adjustment

While supporting the weight of the door, turn the
screws
clockwise to move the door up
anticlockwise to move the door down



3 Forward and back adjustment

If the gap between the back of the door and the
cabinet is too small, and the door may not close
fully. Turn the screw
clockwise to decrease the gap between the
door and the cabinet
anticlockwise to increase the gap between the
door and the cabinet

