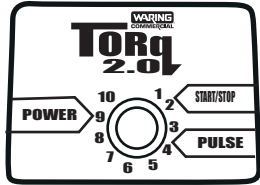
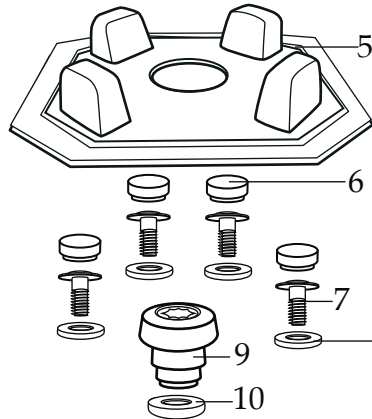
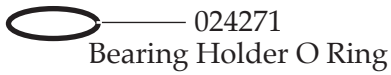
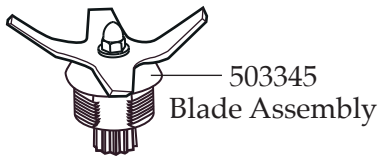


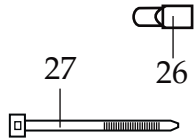
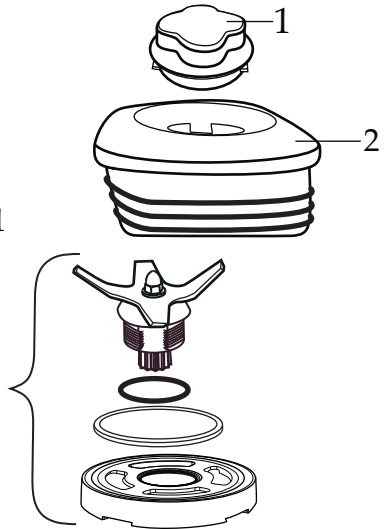
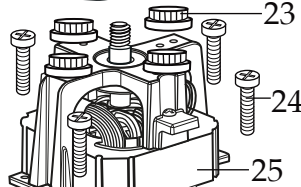
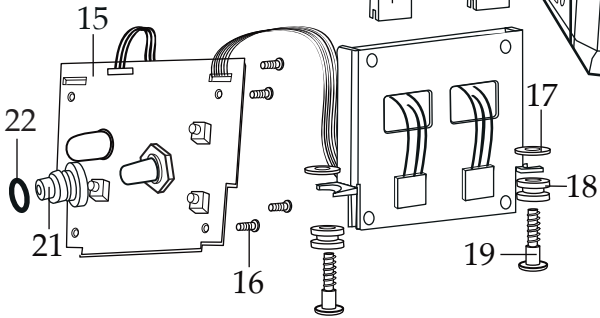
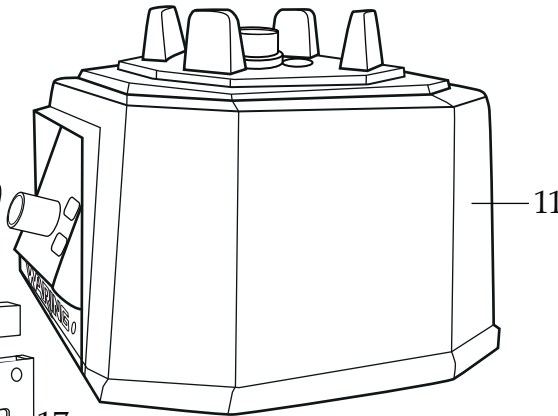
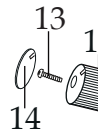
WARING COMMERCIAL TORq 2.0 Blender

Variable Speed Control with a
64 oz. Copolyester Container

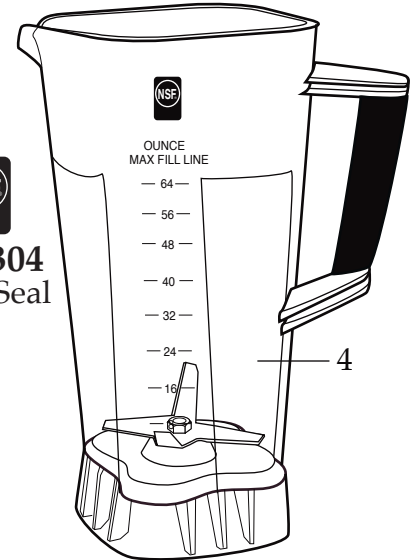
TBB175P6



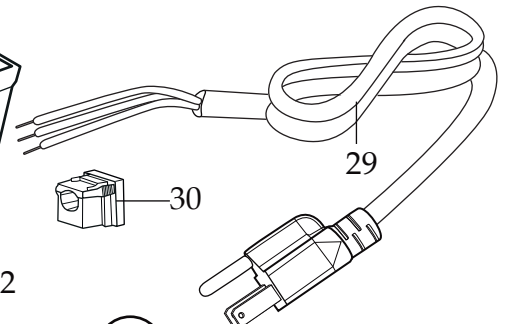
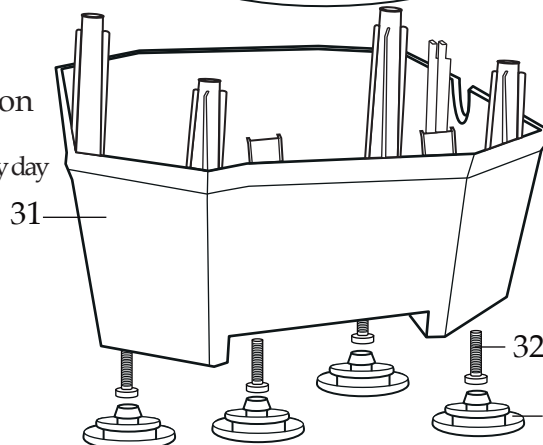
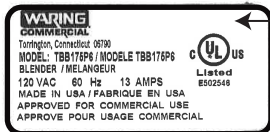
10 1 START/STOP
9 2
8 3 PULSE
7 4
6 5



013304
NSF Seal



Date Code Location
YY|MM|DD
year year | month month | day day



Illustration#	Part#	Description
1	026425-E	Eastman Jar Lid Cover
2	026424-V	Vinyl Jar Lid
3	031060	Blending Assembly Kit
4	026423-E 503347	64 oz. Container ONLY 64 oz. Container with Blending Assembly
5	035885	Jar Pad
6	035085	Hole Plug (4 required)
7	034275	Sems (4 required)
8	034273	B Gasket (4 required)
9	037034 035251	Drive Coupling <i>(on units after 11/15/2019)</i> Drive Coupling
10	037033	Coupling Washer <i>(on units after 11/15/2019)</i>
11	503460-175	Top Housing Assembly
12	036498	Speed Control Knob
13	026267	Screw
14	035757	Disk Control Knob Cover
15	037012 035342	Control Panel <i>(on units after 1/17/2022)</i> Control Panel
16	035090	Screw (4 required)
17	013604	Washer (2 required)
18	034904	Rubber Grommet (2 required)
19	034902	Sems (2 required)
20	034900	PCB Cushion (2 required)
21	036499	Speed Control Knob Insert <i>(on units after 4/14/2018)</i>
22	018389	O Ring
23	034272	A Gasket (4 required)
24	034274	Screw (4 required)
25	035815 034276	Chiaphua Motor <i>(on units after 6/4/2021)</i> ECM Motor / KB500
26	012409	Small Crimp Connectors (5 required)
27	013731	Cable Ties (6 required)
28	503483	Motor Housing with Dampeners
29	035124	Cordset
30	033619	Strain Relief

Illustration#	Part#	Description
31	035079	Bottom Housing
	503480	Bottom Housing with Feet
32	034274	Screw (4 required)
33	035088	Foot (4 required)

Part No Longer Used
(last used 12/18/2019)



035237
Control Housing Back Bezel

