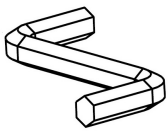
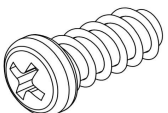
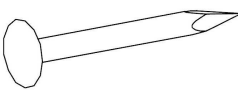
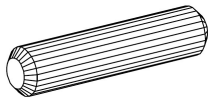
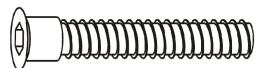

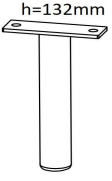
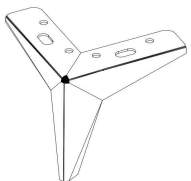
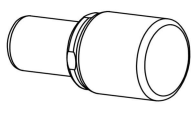

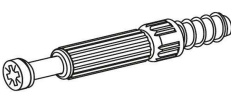

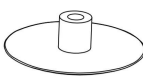
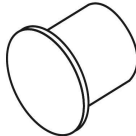
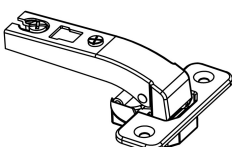
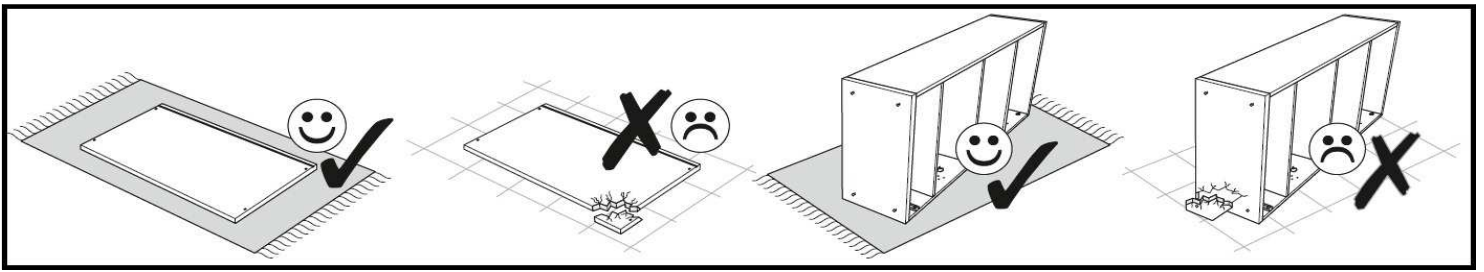


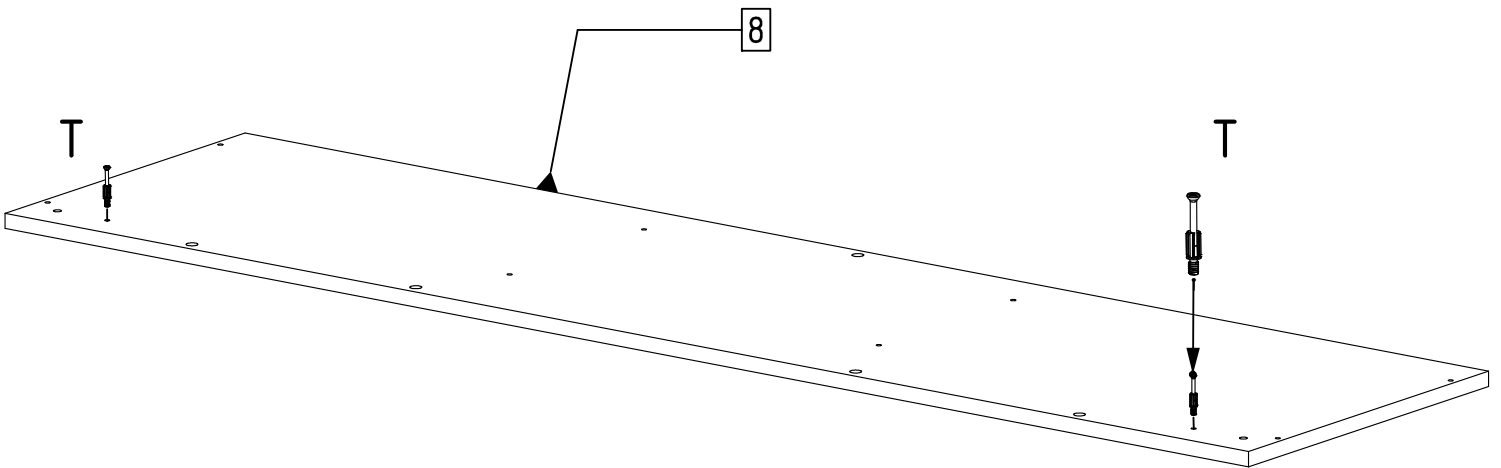
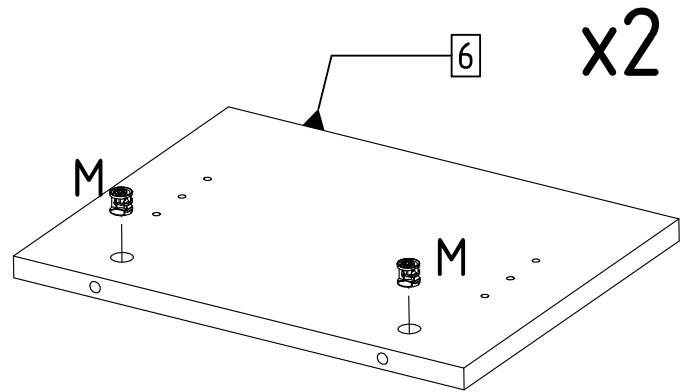
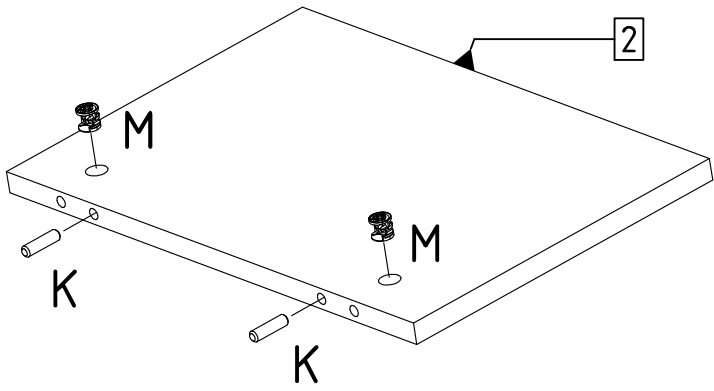
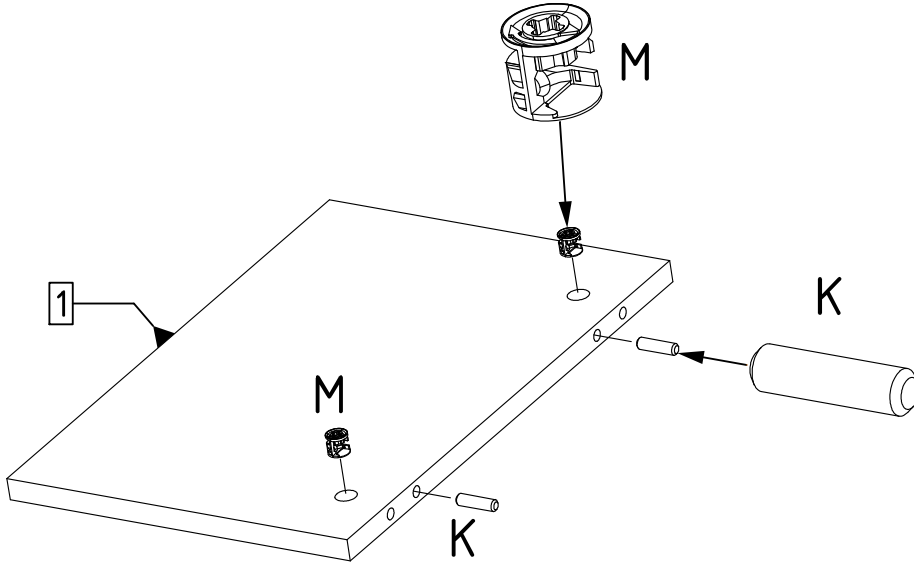
Table accessories

 A1	<p>6,3 X 13</p>  E13	 G	<p>8 x 30</p>  K	<p>6,3 X 50</p>  KN
<p>15 x 12</p>  M	<p>h=132mm</p>  N9	 NG	 PP3	 PRE
<p>6 x 34 mm</p>  T	<p>4 x 16</p>  W16	 Z	 Z5	 ZRO

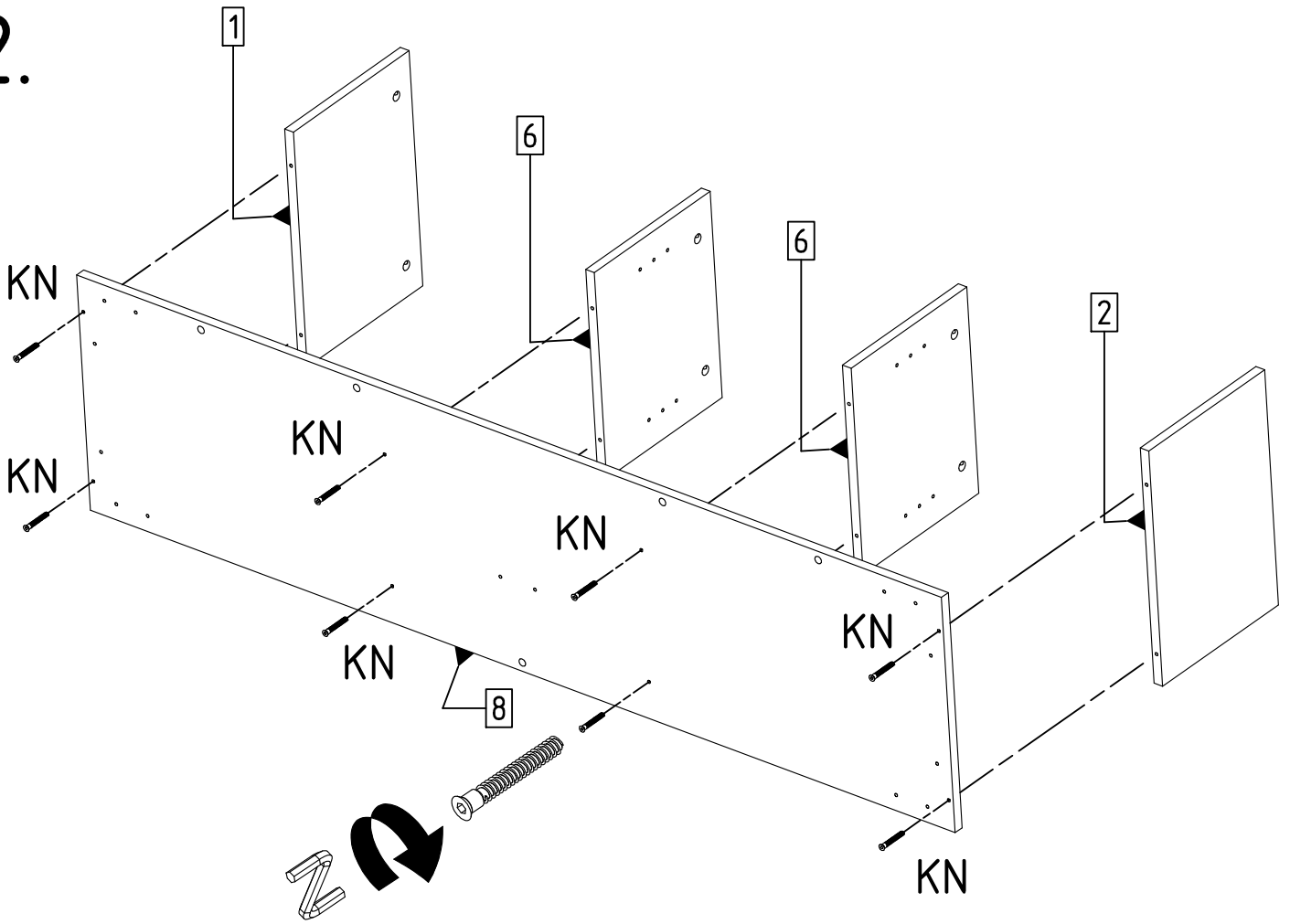
Elements				Accessories	
SYMBOL	LENGTH	WIDTH	QUANTITY	SYMBOL	QUANTITY
BL[1]	15.75	10.63	1	A1	1
BP[2]	15.75	10.63	1	E13	14
CB[3]	10.63	4.84	2	G	34
FT[4]	17.28	10.24	2	K	8
PC[5]	62.72	11.65	1	KN	8
PPIO[6]	13.82	10.63	2	M	12
PS[7]	17.99	13.23	1	N9	1
WD[8]	62.99	15.75	1	NG	4
WG[9]	62.99	15.75	1	PP3	4
				PRE	4
				T	12
				W16	8
				Z	12
				Z5	12
				ZRO	4



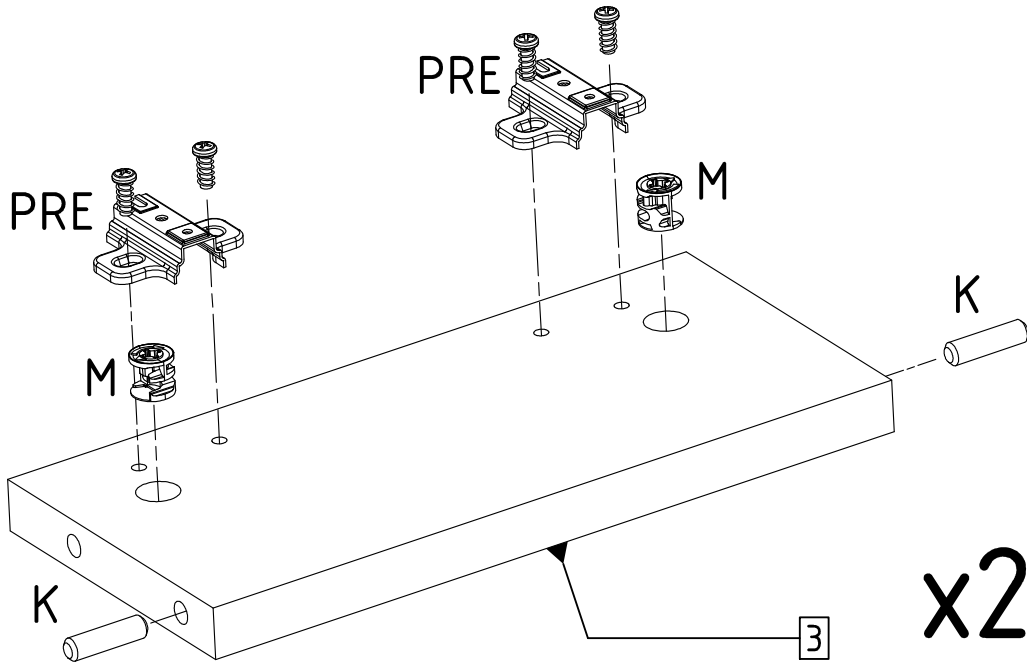
1.

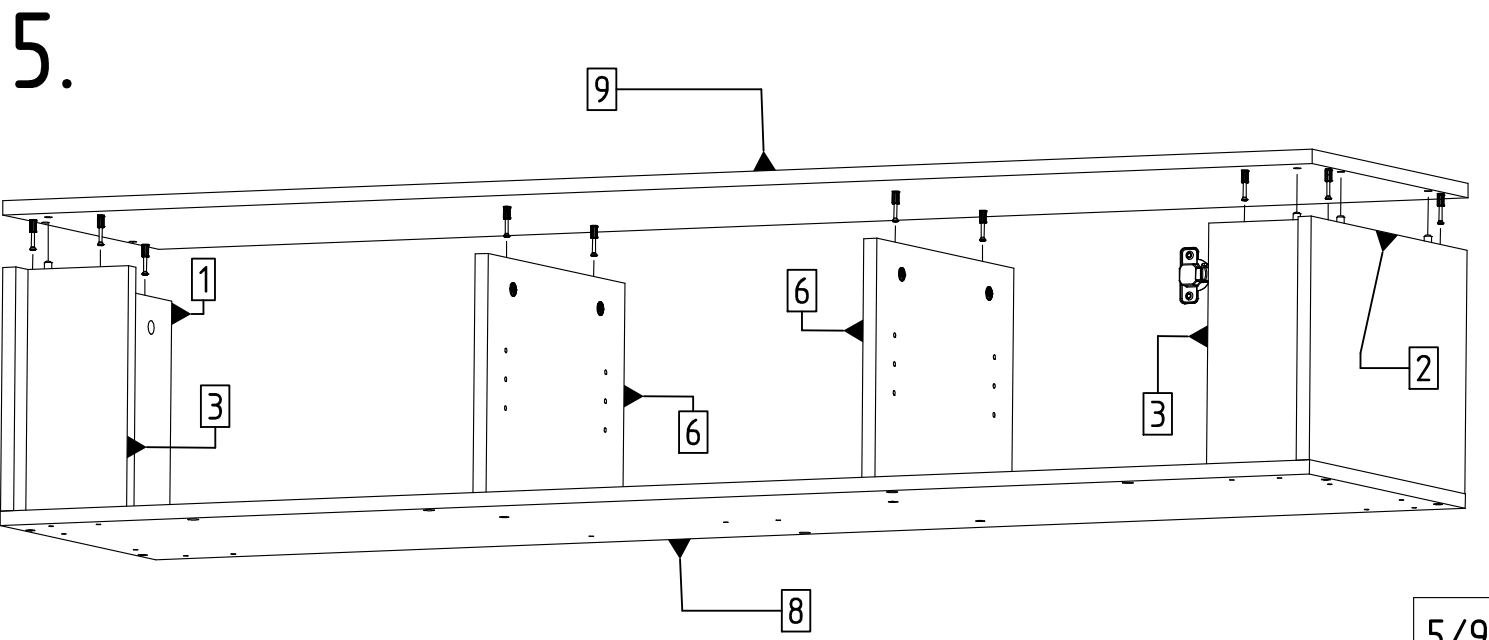
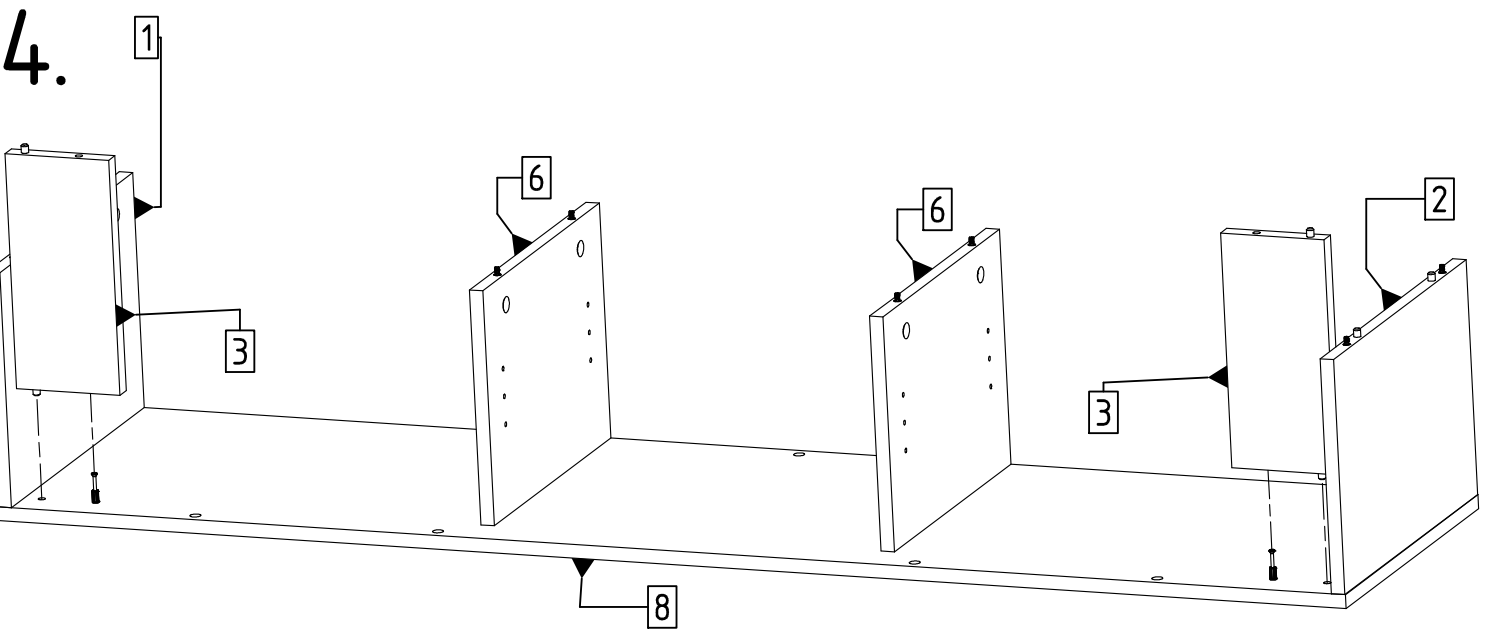
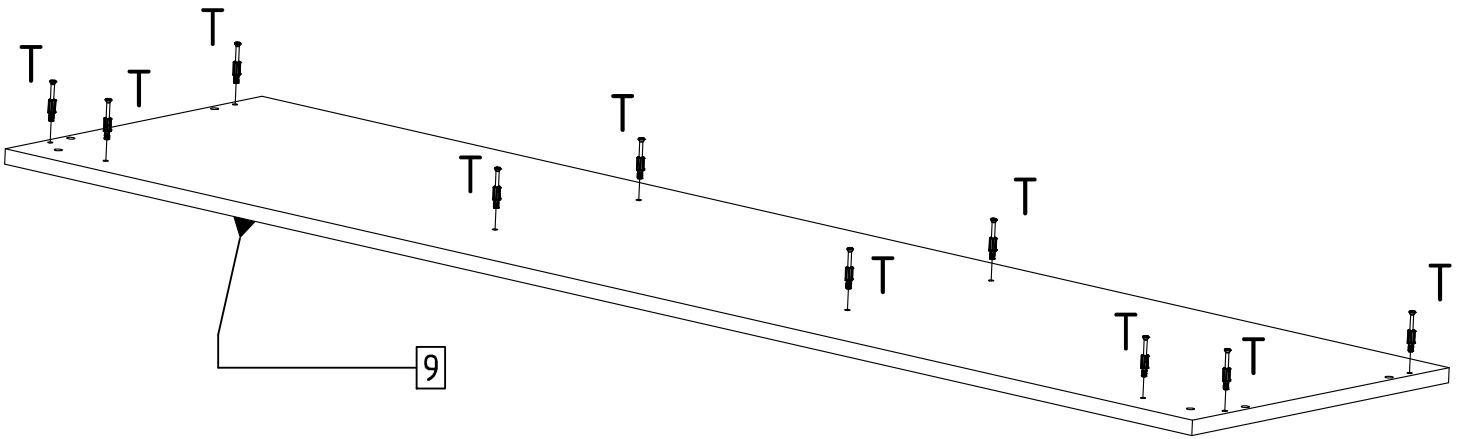
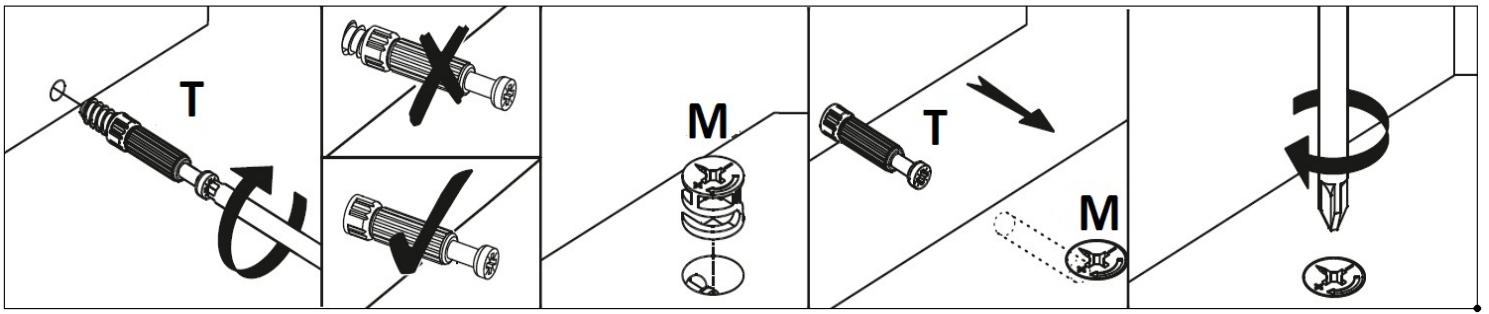


2.

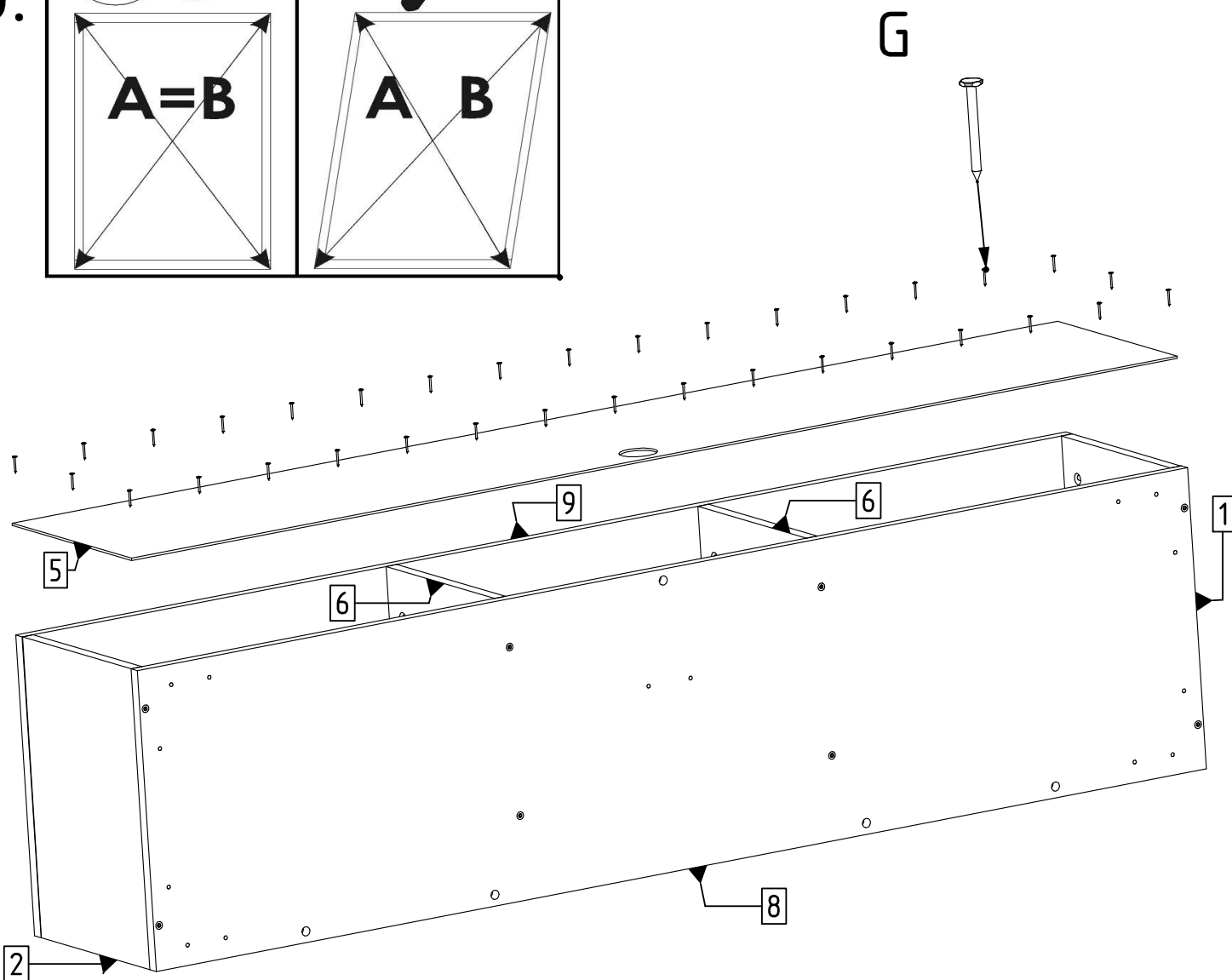
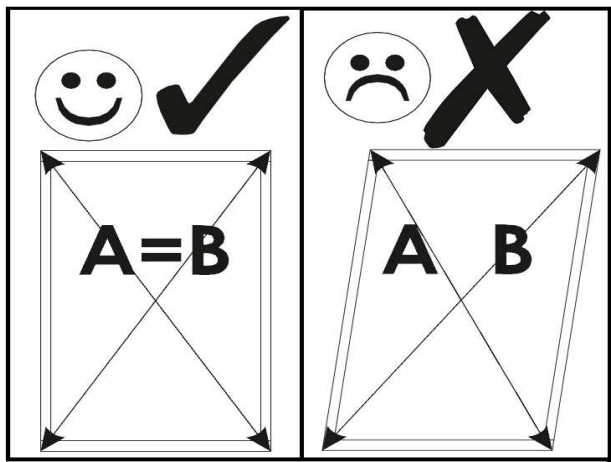


3.

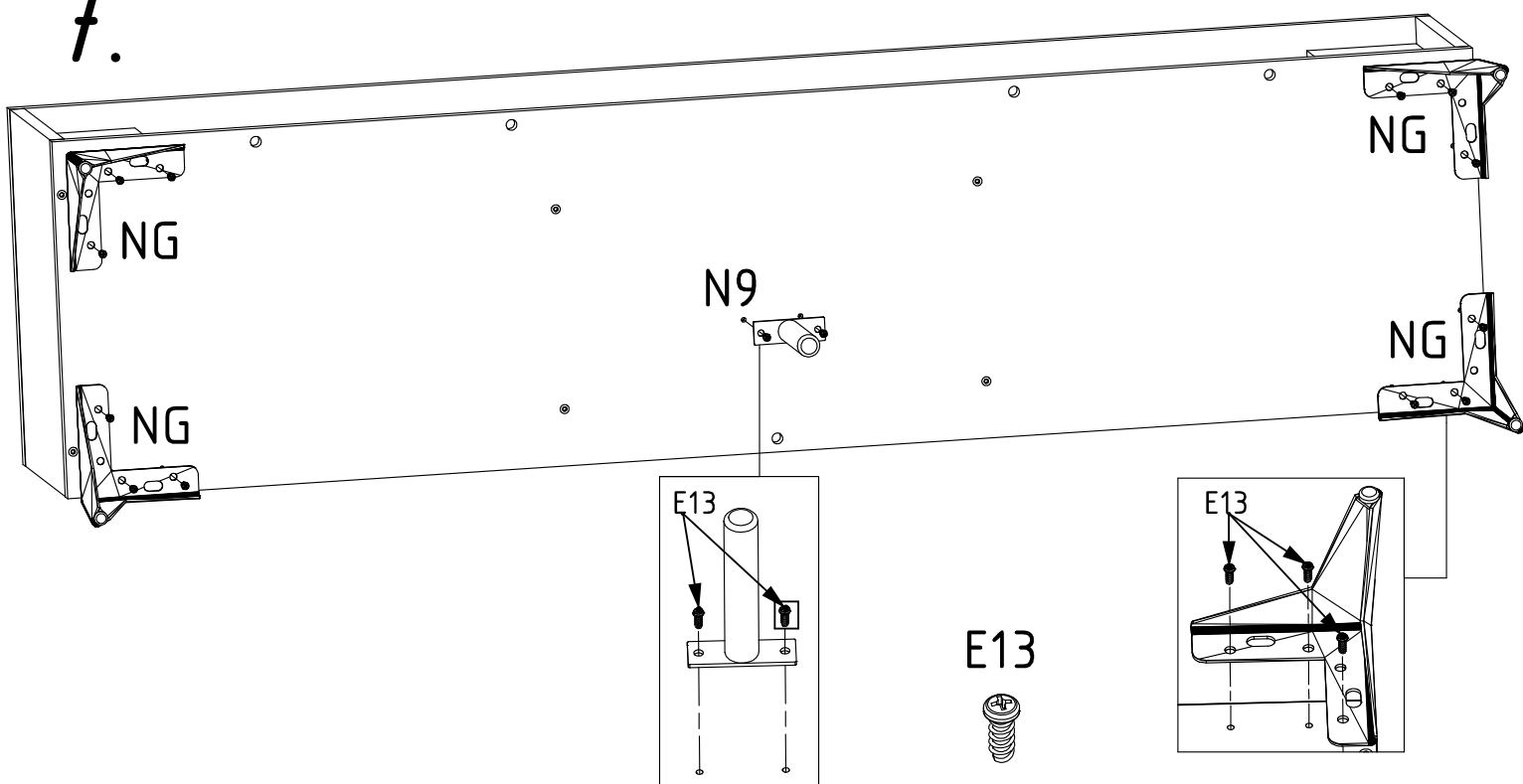




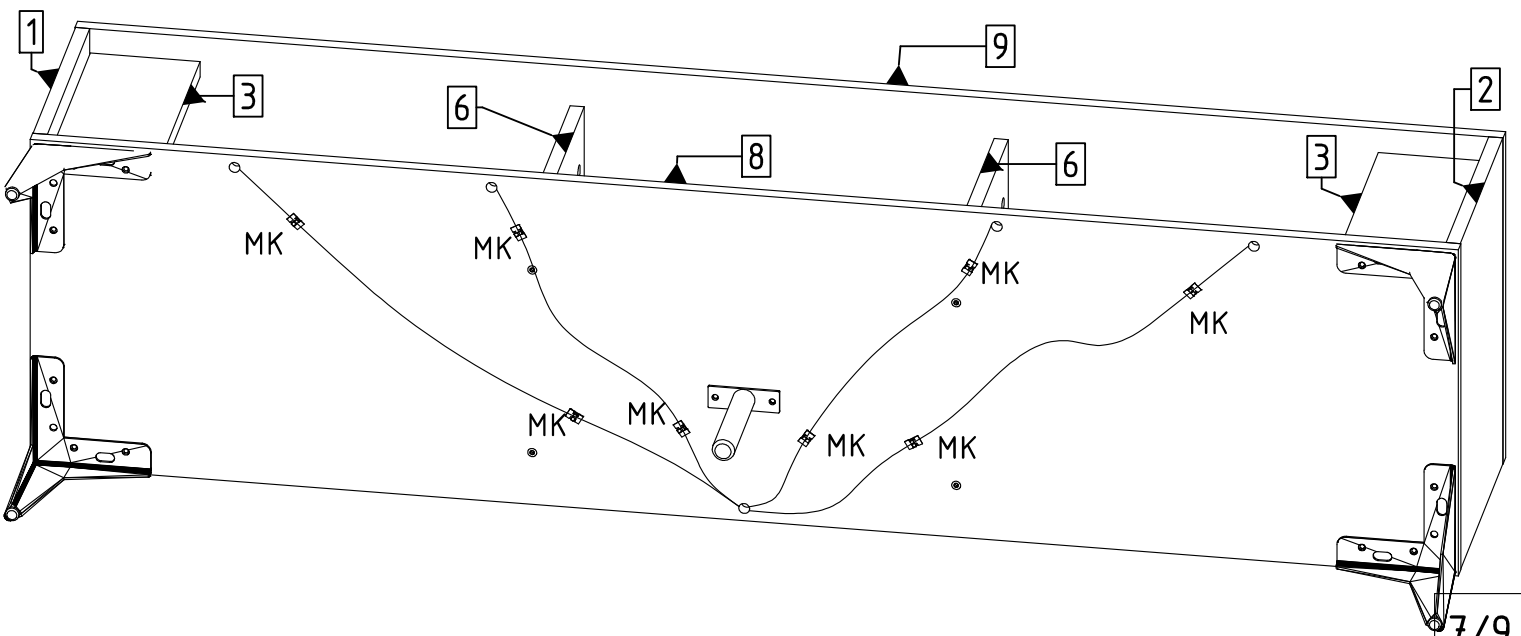
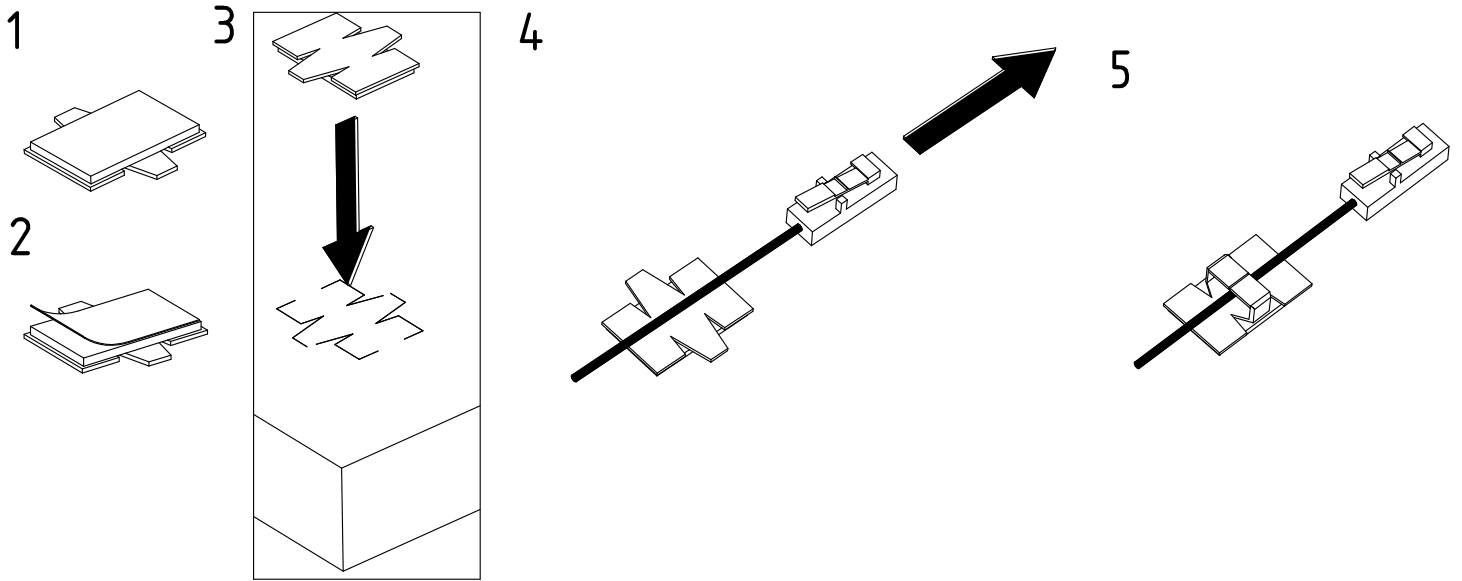
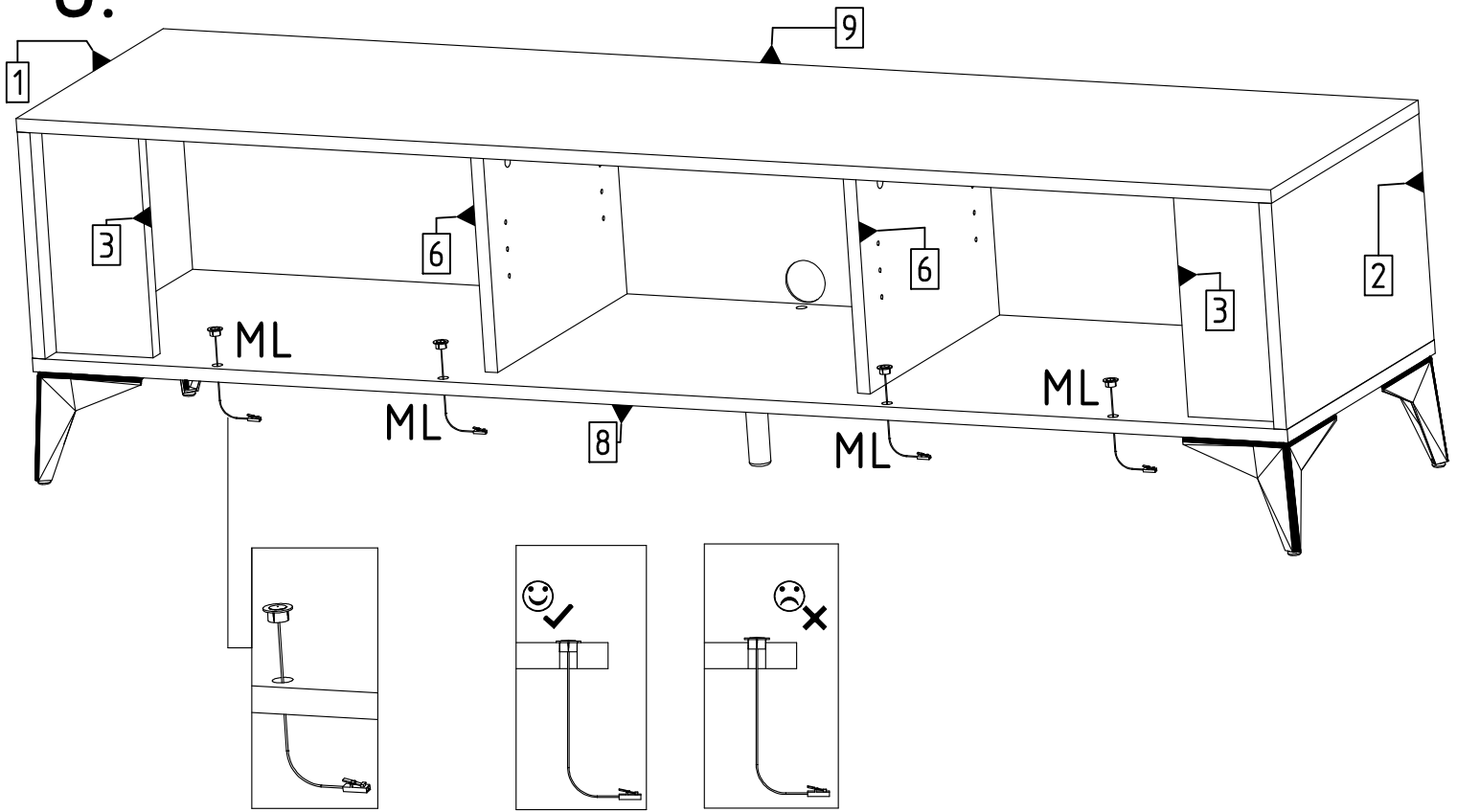
6.



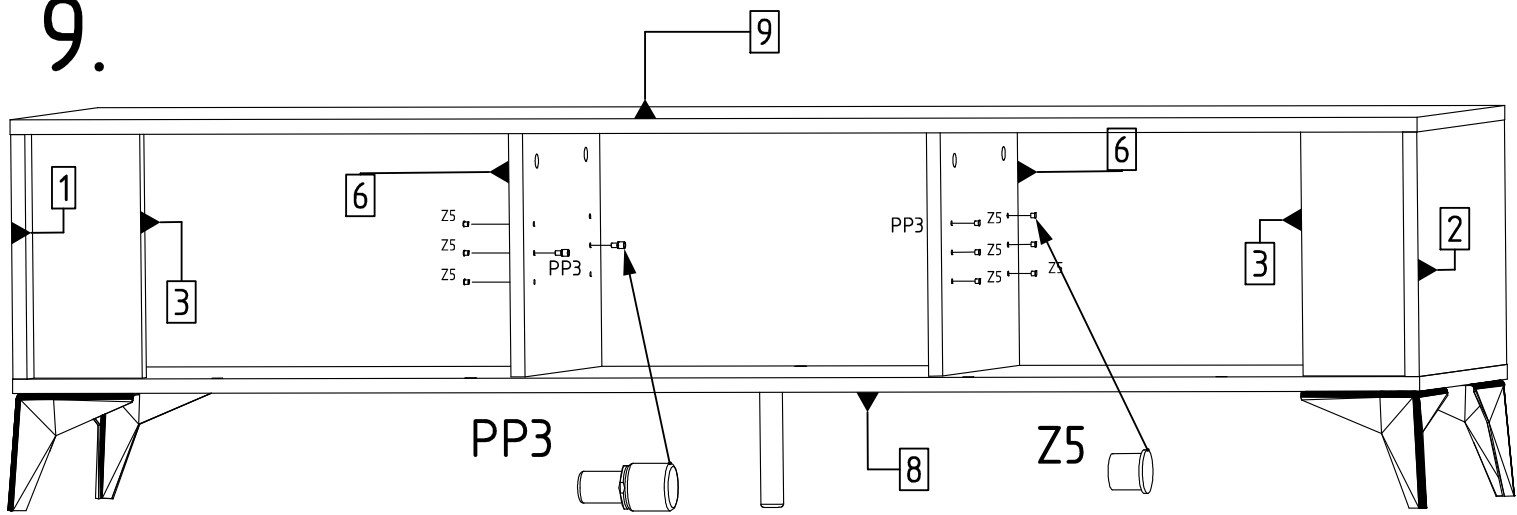
7.



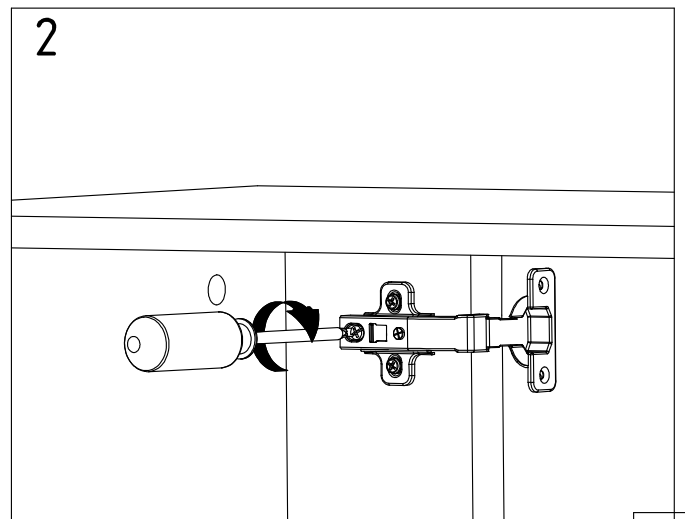
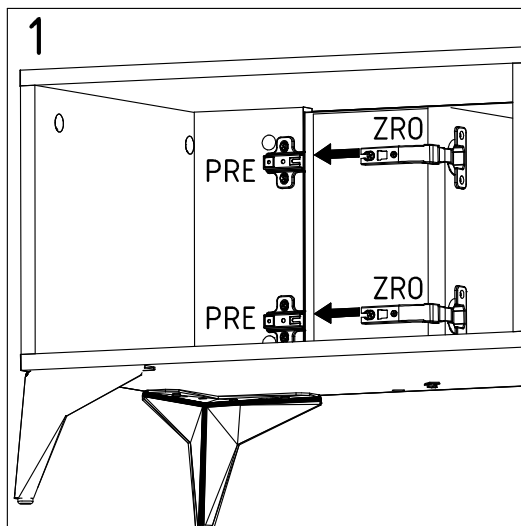
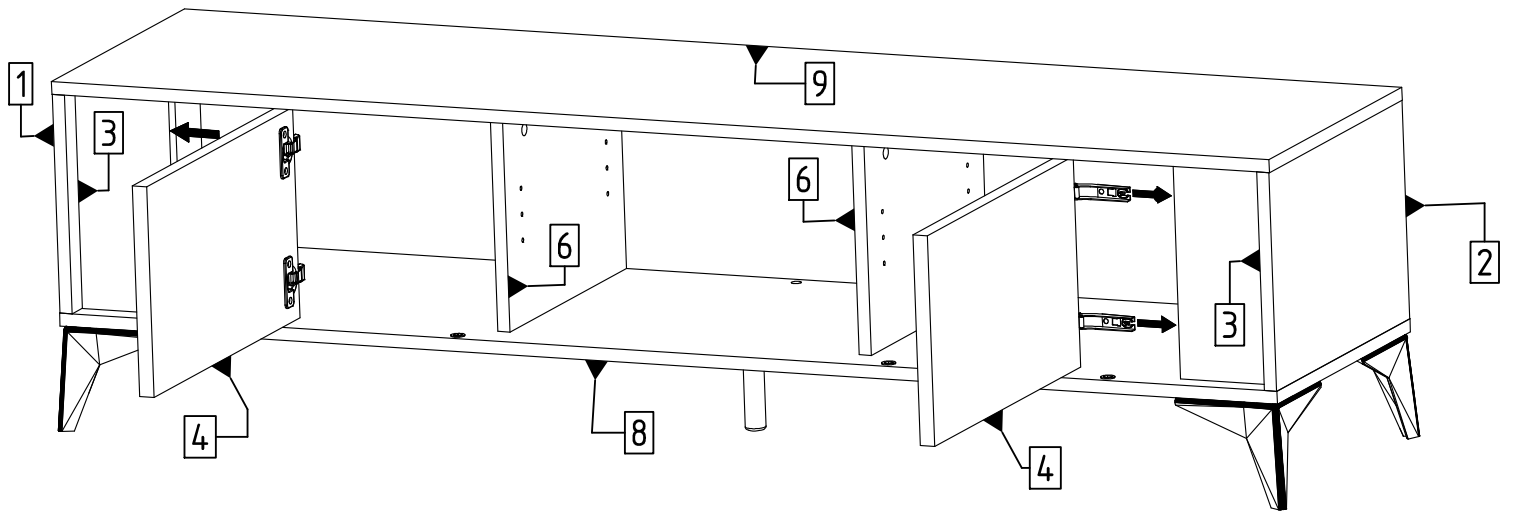
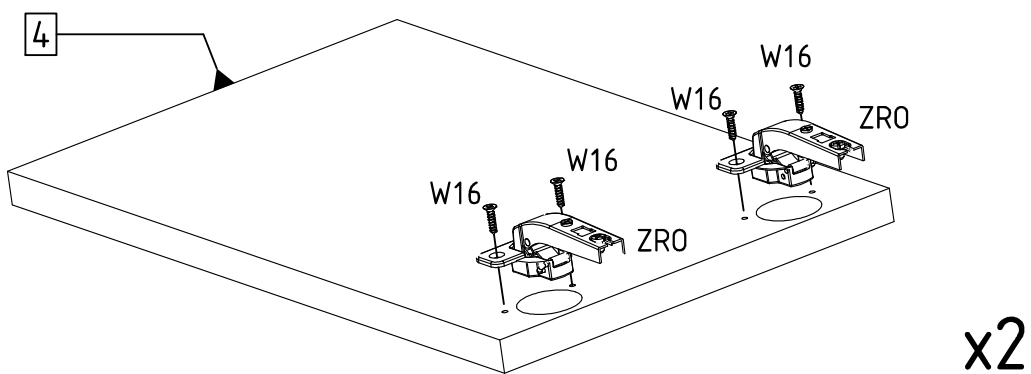
8.



9.



10.



11.

