






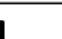
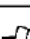
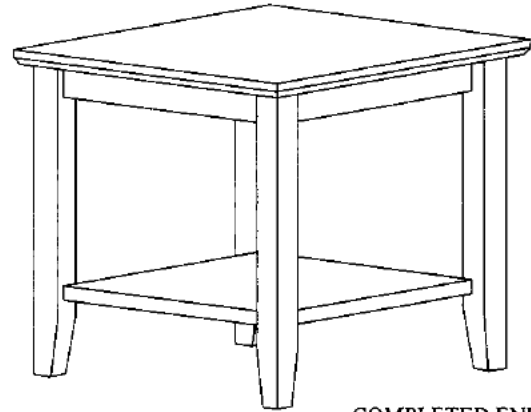
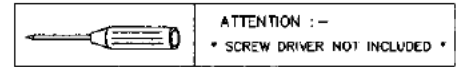


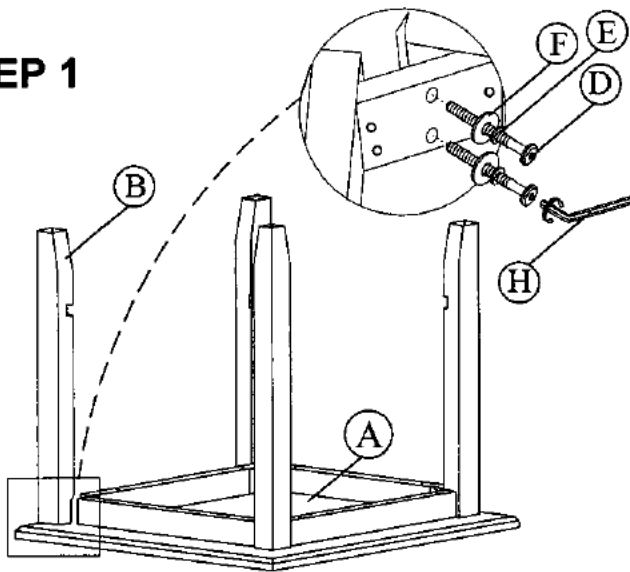
ASSEMBLY INSTRUCTIONS END TABLE

NO.	DESCRIPTION	DRAWING	QTY.
A	TABLE TOP		1 PC.
B	TABLE LEG		4 PCS.
C	SHELF		1 PC.
D	50MM JCBC BOLT		8 PCS.
E	SPRING WASHER		8 PCS.
F	FLAT WASHER		8 PCS.
G	M4x38MM CB SCREW		4 PCS.
H	ALLEN KEY		1 PC.
I	ADJUSTABLE LEG		4 PCS.

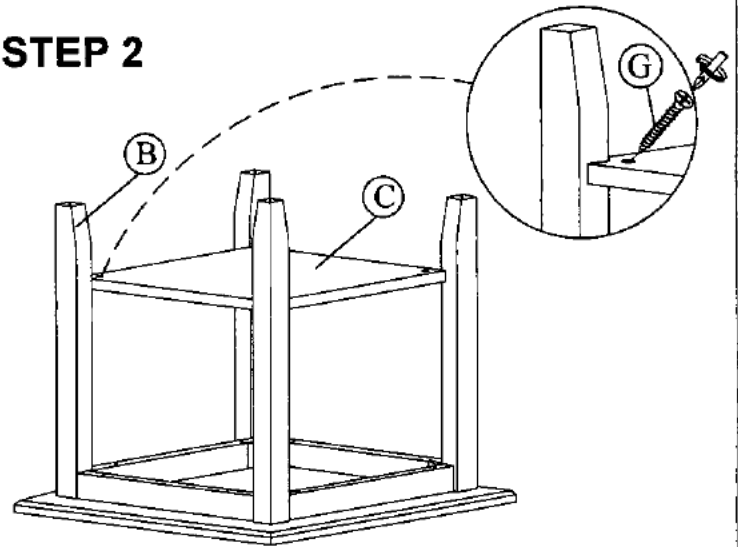


COMPLETED END TABLE

STEP 1



STEP 2



STEP 3

