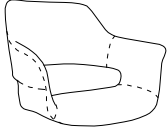

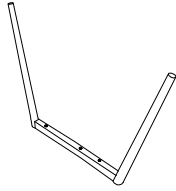

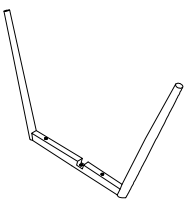

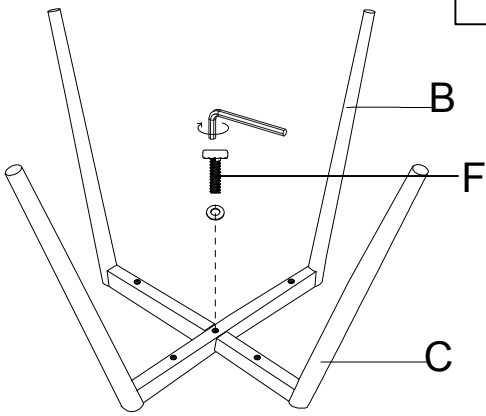

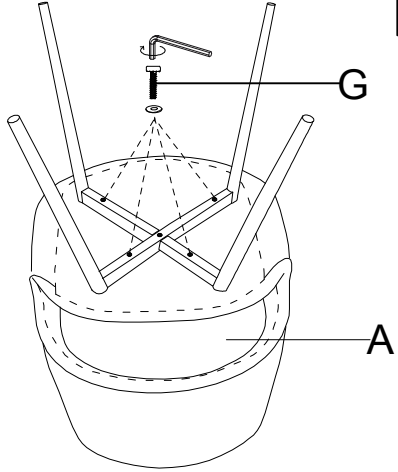

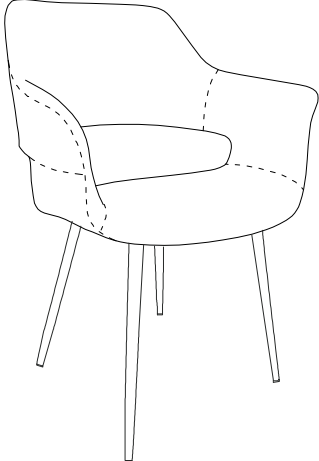


# Assmebly Instruction

A*1		F*1+1EXT	 M6*30MM
B*1		G*4+1EXT	 M6*45MM
C*1		L*1	 M4

<p>STEP 1</p>  <p>80%</p> 	<p>STEP 2</p>  <p>100%</p> 
--	---

<p>STEP 3</p> 	
---	--