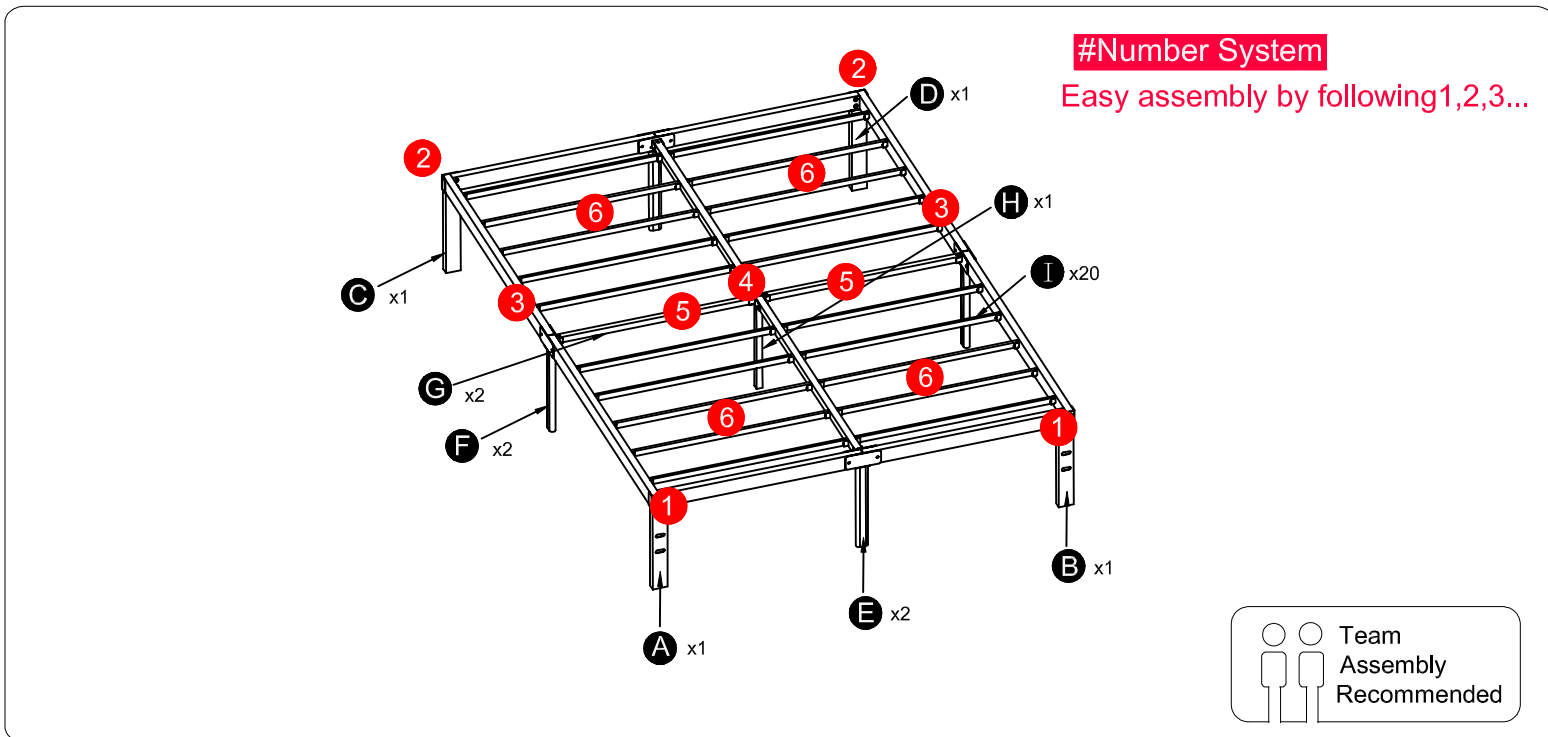


Bed Frame Installation Manual



Componets

- A x1
- B x1
- C x1
- D x1
- E x2
- F x2
- G x2
- H x1
- I x20

Screws & Tools

1	M8x45mm	x16
2	M6x35mm	x6
3	M8	x8
4	Ø8	x16
5		x1
6		x1

Check all the components & screws before assembly. **Do not install in case part is missing, contact us to get.** Send email with your question to [support@... We will resend within 24 hours.](#)

1 Connect **E** to **A** and **B**

1 x4 3 x4 4 x4

2 Connect **E** to **C** and **D**

1 x4 3 x4 4 x4

