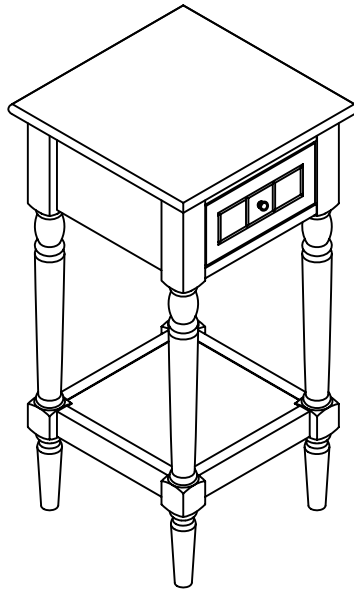



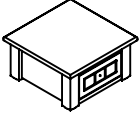
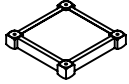
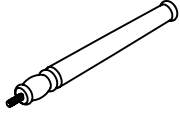

# Accent Table



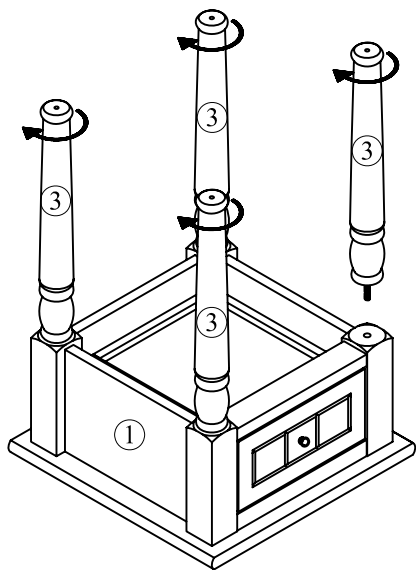
## HARDWARE LIST

CODE	NAME	FIGURE	Q'TY
A	COLOR STICK		1PC

## PARTS LIST

CODE	NAME	FIGURE	Q'TY
①	TABLE TOP		1PC
②	BOTTOM SHELF		1PC
③	LEGS		4PCS
④	FEET		4PCS

**\*\*\* PLACE TABLE TOP (1) ON CARPET OR OTHER SOFT SURFACE BEFORE ASSEMBLY.**

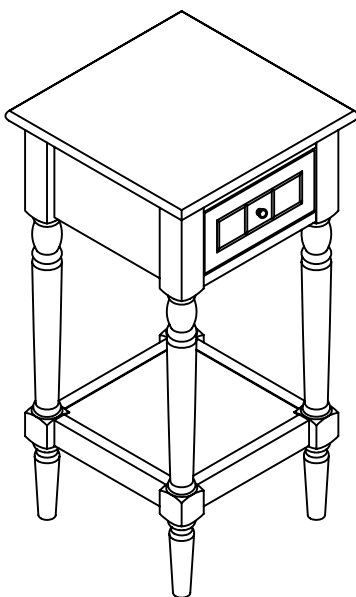
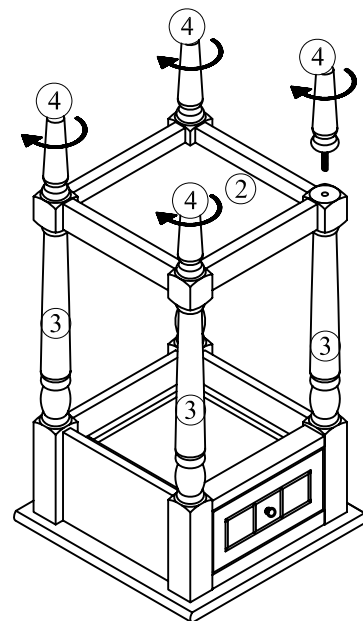


## **STEP 1**

SCREW LEGS (3) INTO TABLE TOP (1) .

## **STEP 2**

PLACE BOTTOM SHELF (2) ONTO LEGS (3) AND SCREW FEET (4) INTO ASSEMBLY.



## **STEP 3**

ENJOY YOUR NEW CHLOE ACCENT TABLE !

**\*\*\*SAVE COLOR STICK FOR FUTURE TOUCH-UPS!**