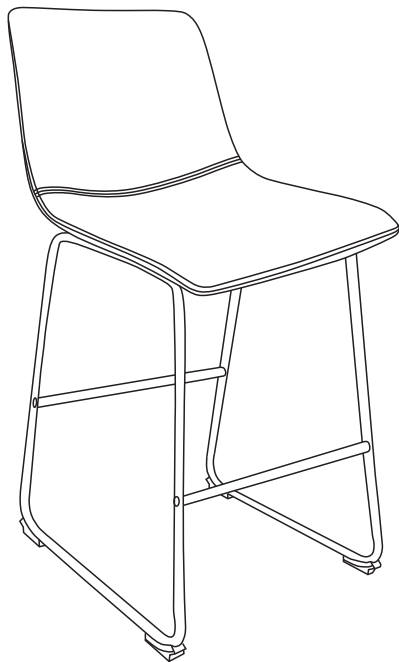







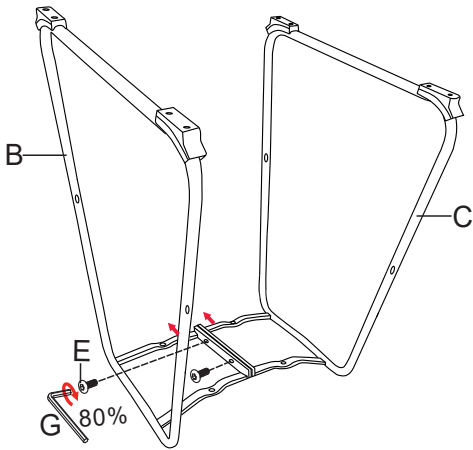


ASSEMBLY INSTRUCTIONS

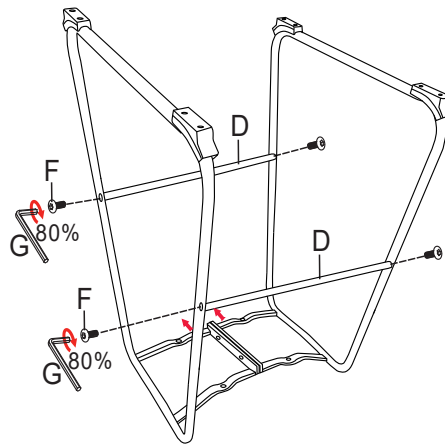


Ax1 	Ex2 
Bx1 	Fx8 
Cx1 	Gx1 
Dx2 	

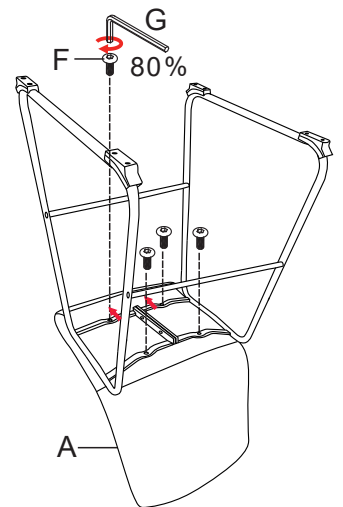
1



2

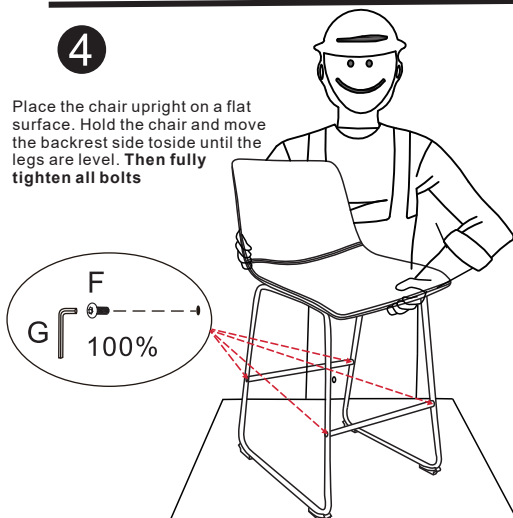


3

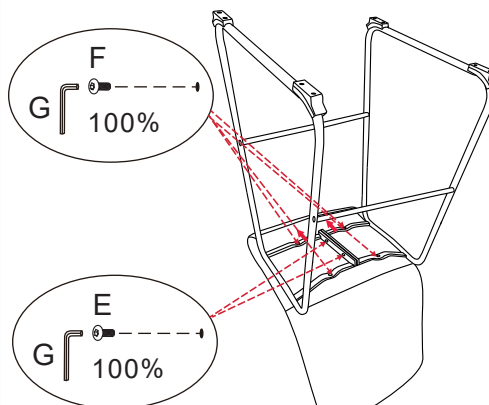


4

Place the chair upright on a flat surface. Hold the chair and move the backrest side to side until the legs are level. Then fully tighten all bolts



5



6

