

ASSEMBLY INSTRUCTIONS

PLEASE KEEP THIS FOR FUTURE REFERENCE

MEDIA UNIT

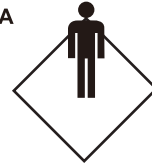
1.0 hr

APPROXIMATE ASSEMBLY TIME

1 PERSON ASSEMBLY

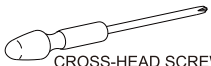


FLOOR AREA
2.0M X2.0M



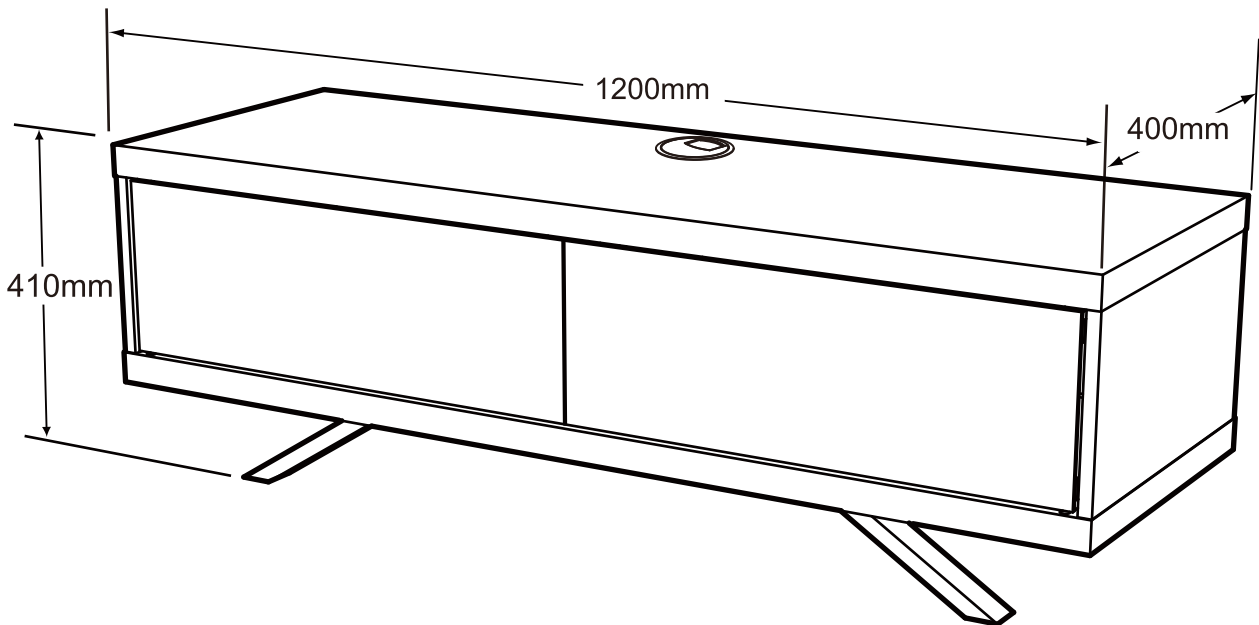
REQUIRED ASSEMBLY SPACE

TOOLS REQUIRED



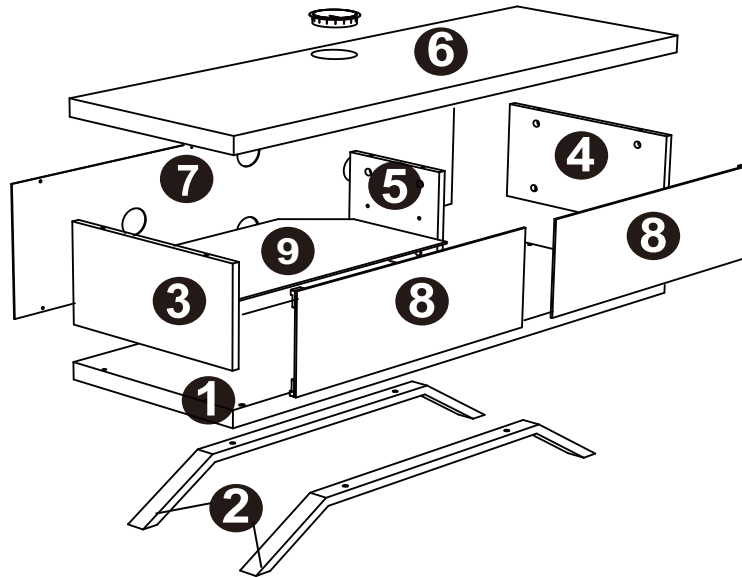
CROSS-HEAD SCREWDRIVER

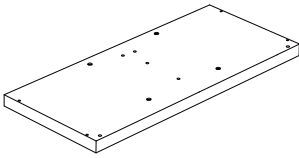
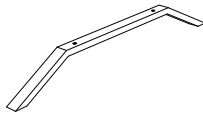
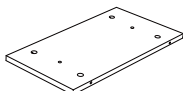
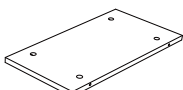
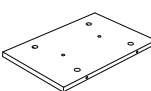
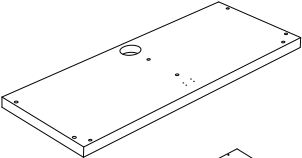
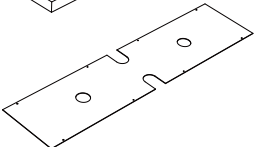
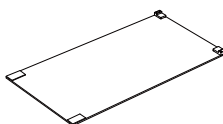
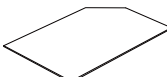
ASSEMBLED DIMENSIONS



MEDIA UNIT

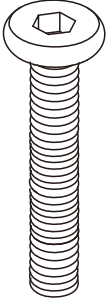
PARTS LIST



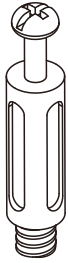
no.	PART LIST	QTY
(1)	 BASE PANEL	1
(2)	 LEG	2
(3)	 LEFT HAND SIDE PANEL	1
(4)	 RIGHT HAND SIDE PANEL	1
(5)	 CENTRE PANEL	1
(6)	 TOP PANEL	1
(7)	 REAR COVER PANEL	1
(8)	 GLASS DOOR	2
(9)	 GLASS SHELF	1

MEDIA UNIT

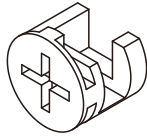
HARDWARE LIST



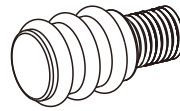
4x
M8 x 45mm
A
BOLT



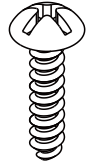
12x
7.5 x 40mm
B
CAM PIN



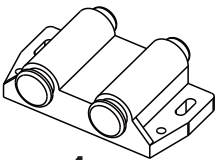
12x
15 x 12.5mm
C
CAM LOCK



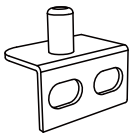
4x
10 x 20mm
D
SHELF PEG



4x
3 x 16mm
E
MAG CATCH &
REAR PANEL
SCREW



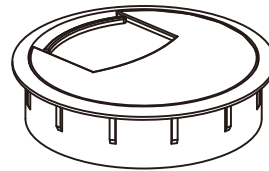
1x
66.5 x 57 x 19mm
F
DOUBLE MAG CATCH



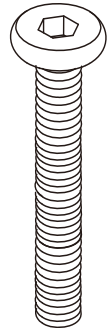
5x (1 spare)
22 x 25 x 12mm
G
DOOR HINGE PLATE



8x
M4 x 8mm
H
HINGE PLATE GRUB
SCREW



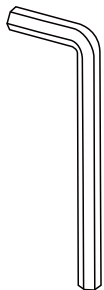
1x
93.5 x 20mm
I
CABLE COVER



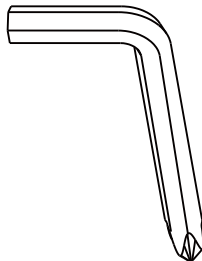
2x
M6 x 50mm
J
BOLT



2x
16 x 1mm
K
METAL WASHER



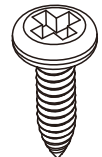
1x
4 mm
L
ALLEN KEY



1x
5 mm
M
ALLEN KEY



16x
23 x 0.5mm
N
PVC GLUE COVER



8x
3 x 14mm
O
MAG CATCH &
REAR PANEL
SCREW

MEDIA UNIT

Top Tips before you start!

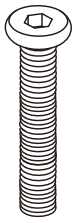
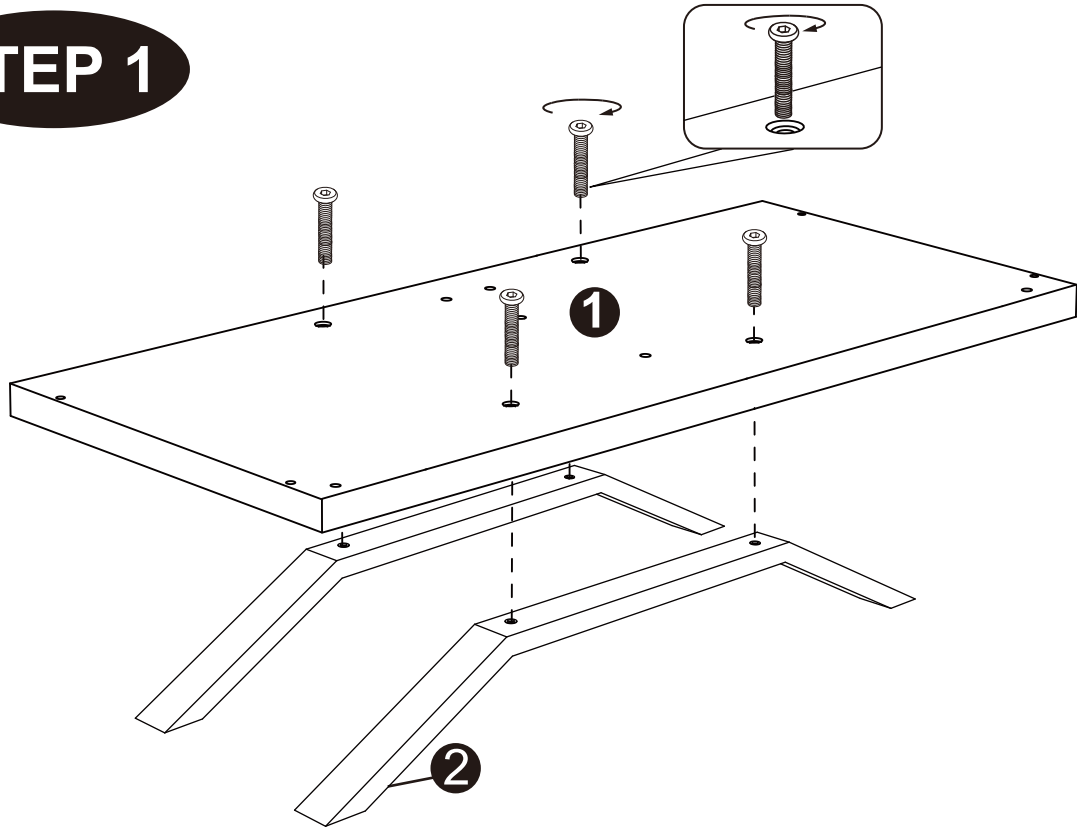
1. Please check that all parts are present before you start the assembly of your furniture.
2. For ease and speed of assembly, we recommend that before you commence each step of the assembly, that you identify all the parts required for that step.
3. For larger items, please ensure that you have sufficient space and people (as indicated on page 1) to assemble your product safely
4. We recommend that, where possible, all items are assembled near to the area in which they will be placed in use, to avoid moving the product unnecessarily once assembled.
5. For the protection of your furniture, particularly items of high gloss finish, we recommend that the product is placed on a protected surface during assembly to prevent any damage.
6. During assembly please take care not to over-tighten any fittings, as this may damage the product.

Care and Maintenance of your Furniture

- Please periodically check all fittings and re-tighten as necessary.
- Please do not sit or stand on this item.
- Never allow any kind of liquid to remain on your furniture, Absorption can cause wood to warp or finishes to de-laminate
- Please do not drag and pull your furniture.
- If the glass is chipped or broken, stop using the product and consult the manufacturer or supplier.
- Please do not place very hot or very cold items on the glass surface, unless adequately thick table mats are used to prevent such items from coming into contact with the glass.
- Please do not use the glass as a chopping surface. Do not strike the glass with hard or pointed items.
- When cleaning glass panels use a damp cloth or leather with washing up liquid or soft soap if necessary, do not use washing powders or any other substances containing abrasives since these substances scratch glass.
- The glass used in this product is toughened and complies with BS EN 12150-1:2000, clauses 8.3 & 8.4

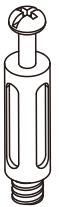
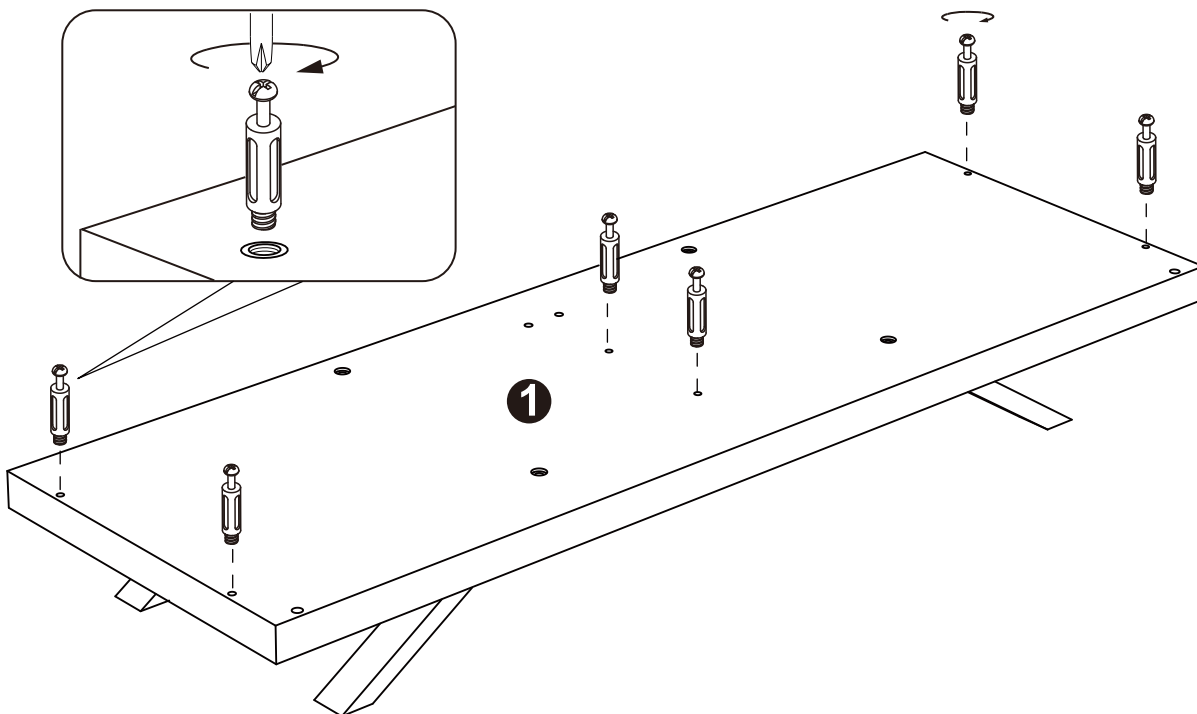
MEDIA UNIT

STEP 1



4x
A

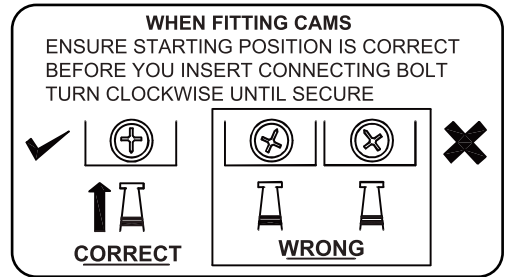
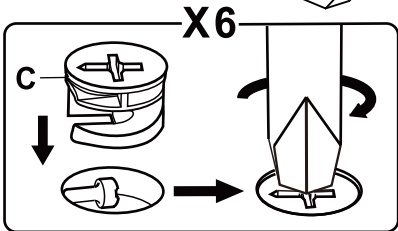
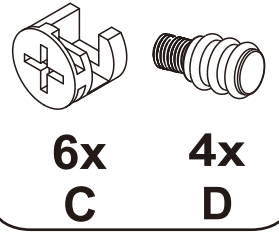
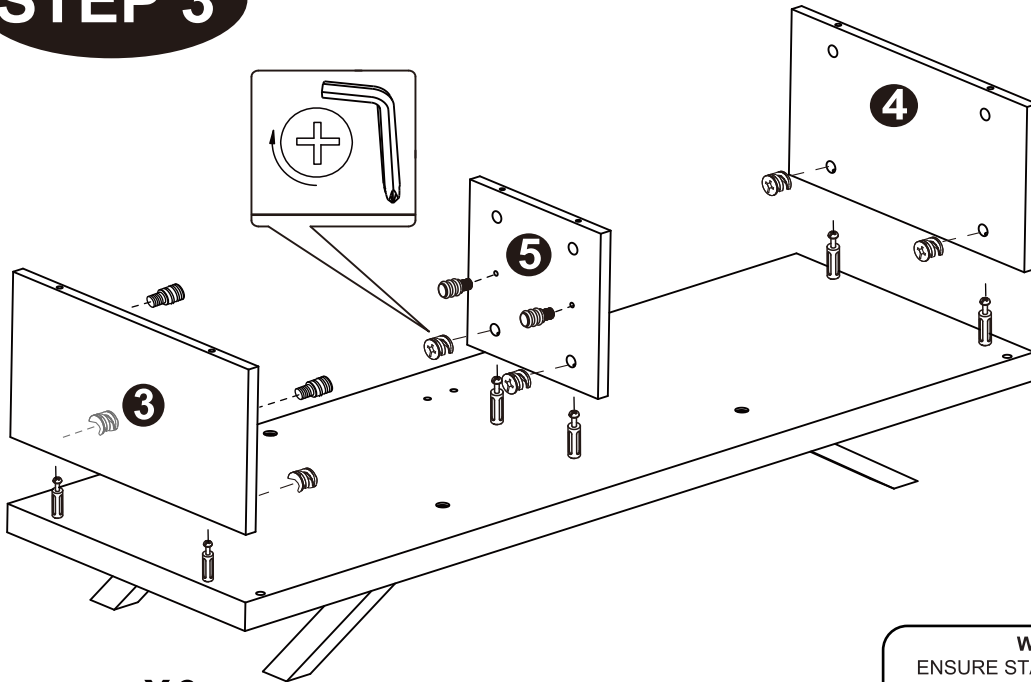
STEP 2



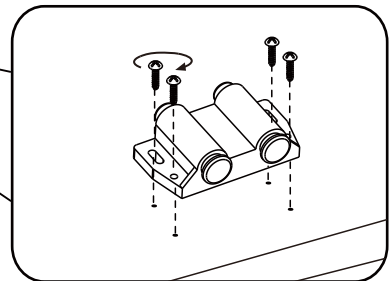
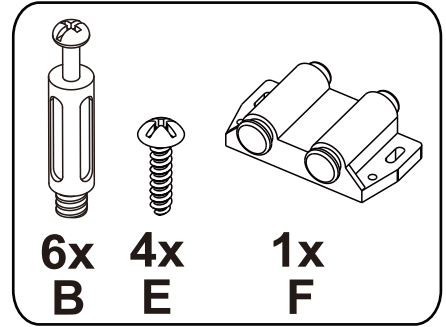
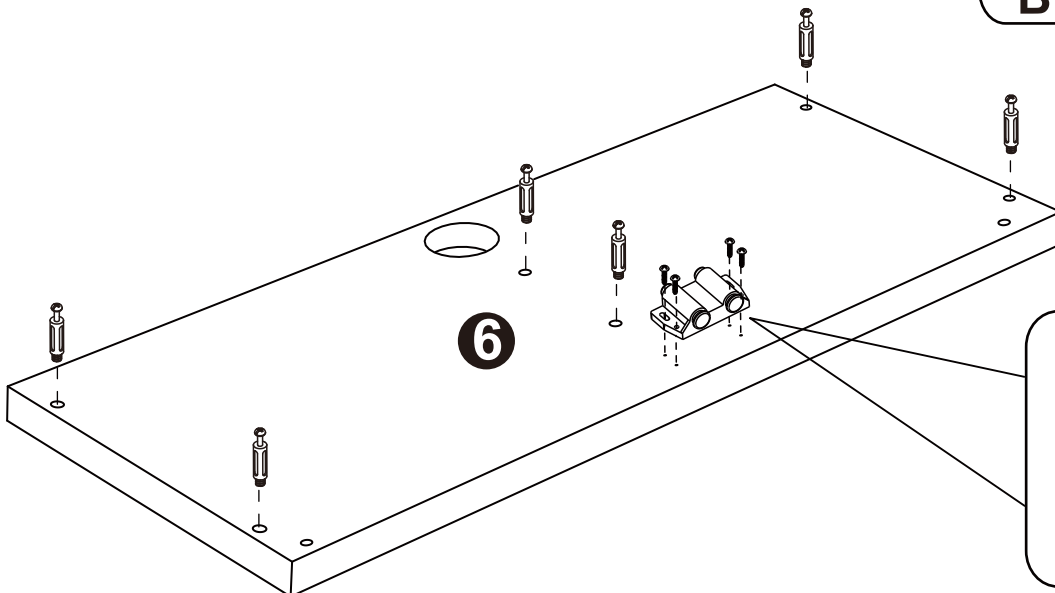
6x
B

MEDIA UNIT

STEP 3

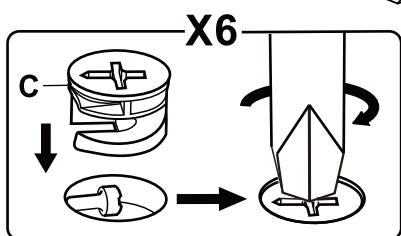
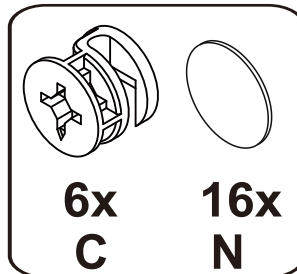
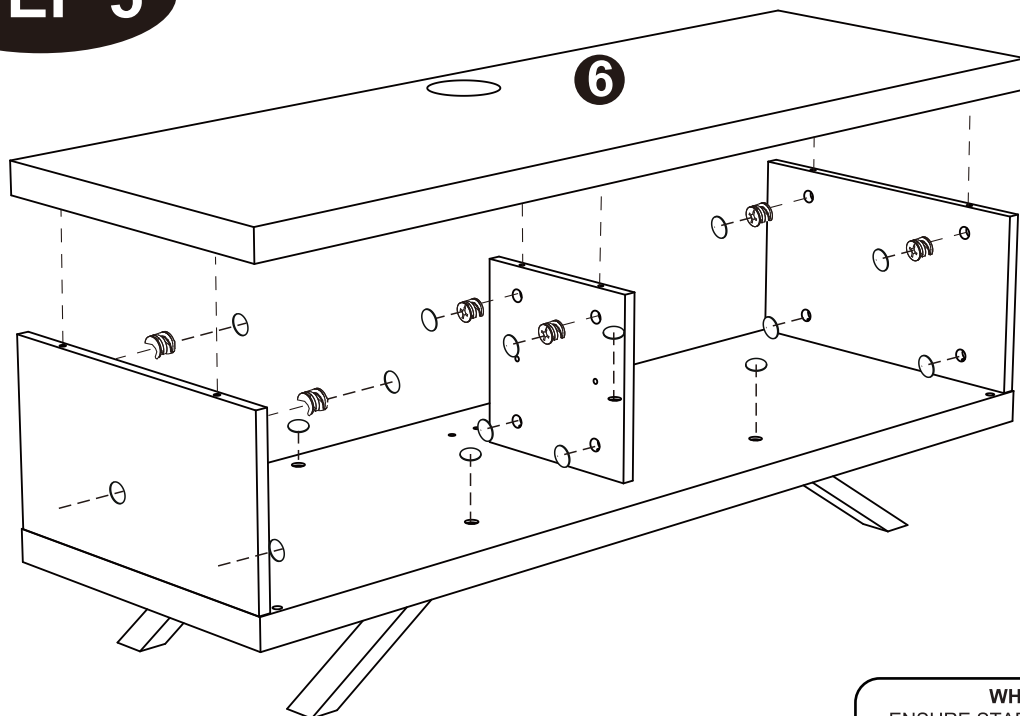


STEP 4



MEDIA UNIT

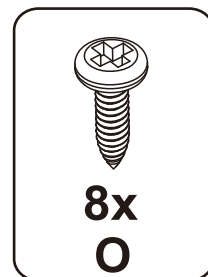
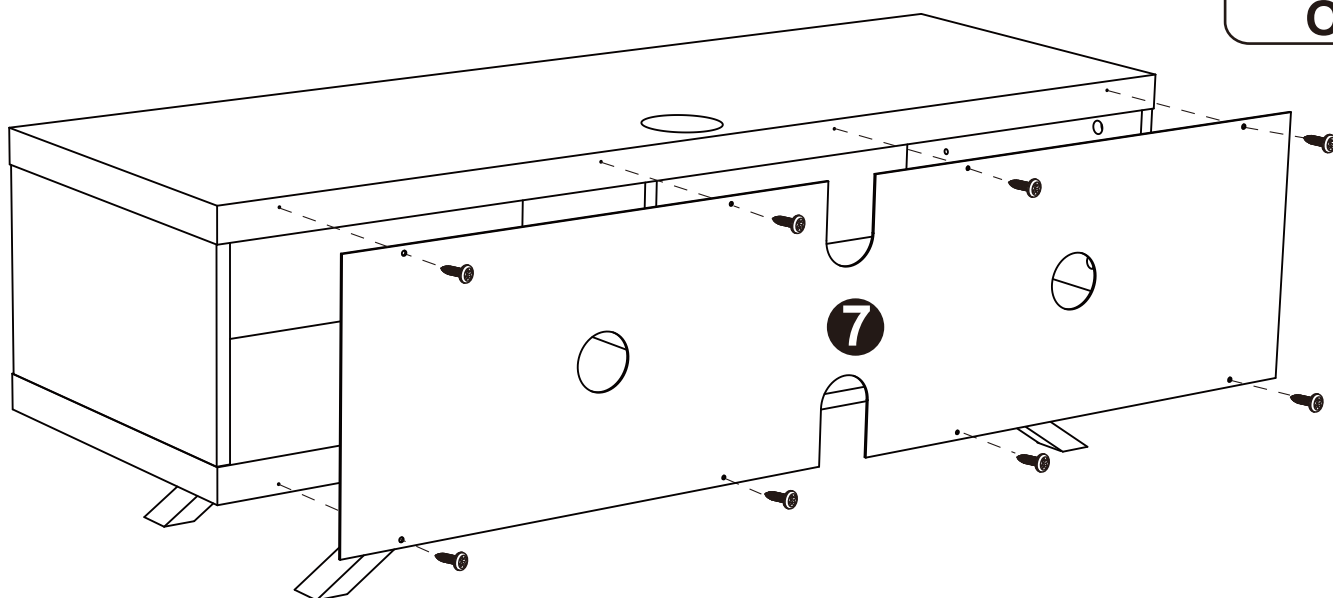
STEP 5



WHEN FITTING CAMS
 ENSURE STARTING POSITION IS CORRECT
 BEFORE YOU INSERT CONNECTING BOLT
 TURN CLOCKWISE UNTIL SECURE

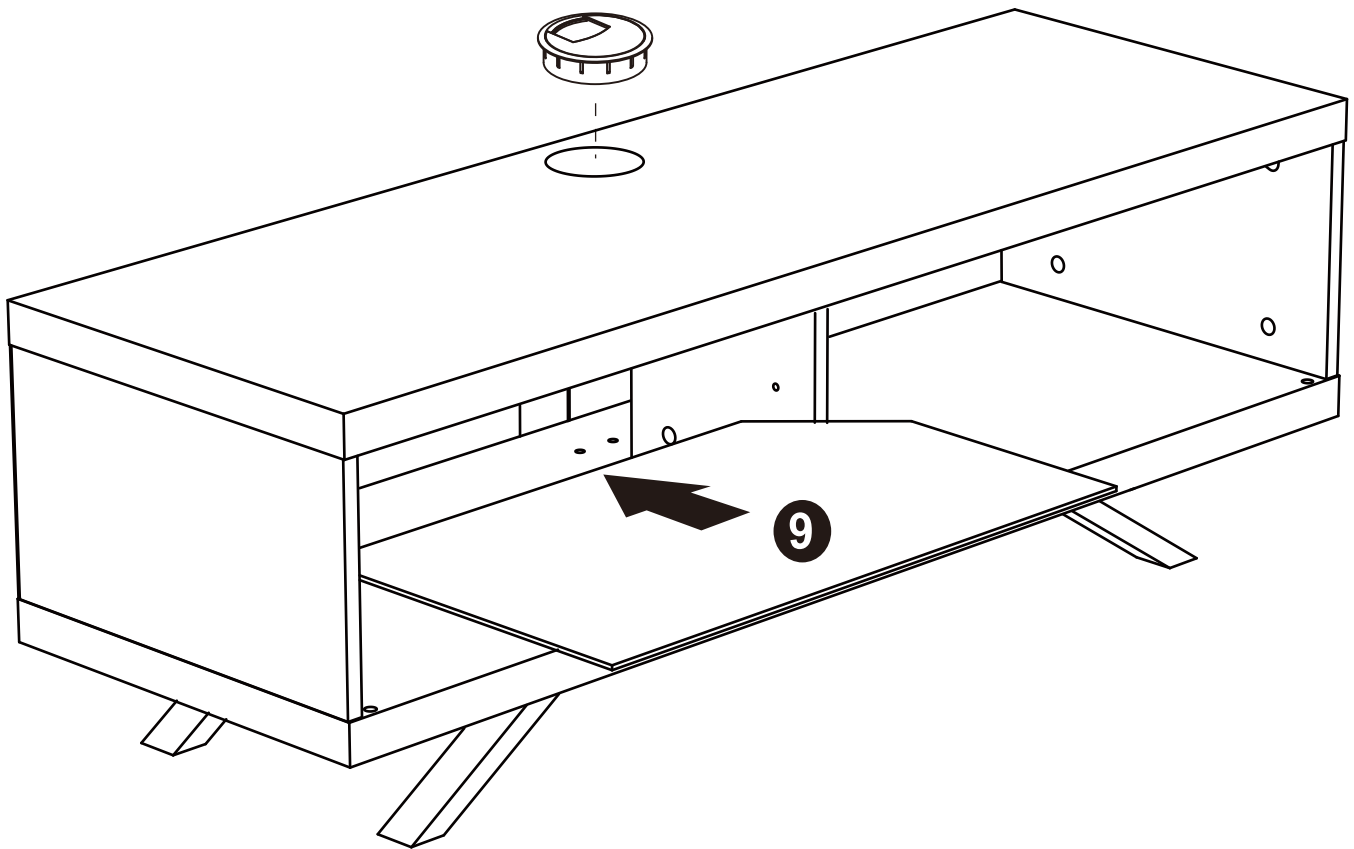
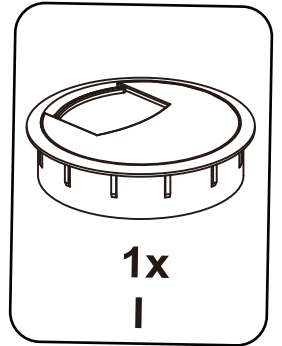
✓				✗
	CORRECT	WRONG		

STEP 6



MEDIA UNIT

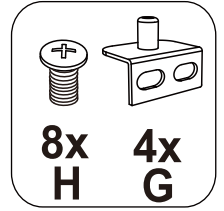
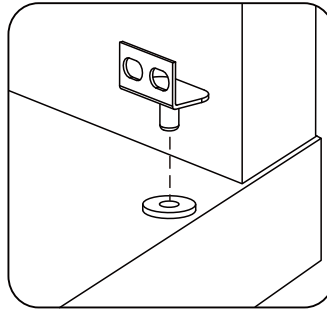
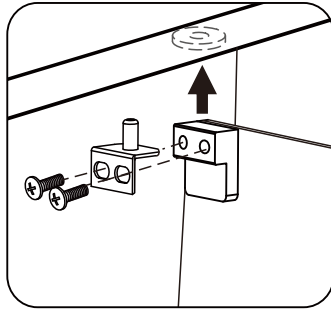
STEP 7



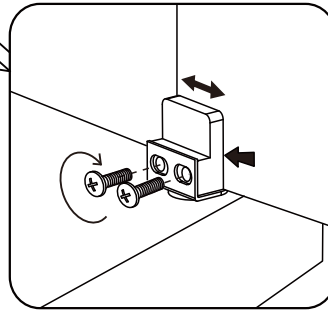
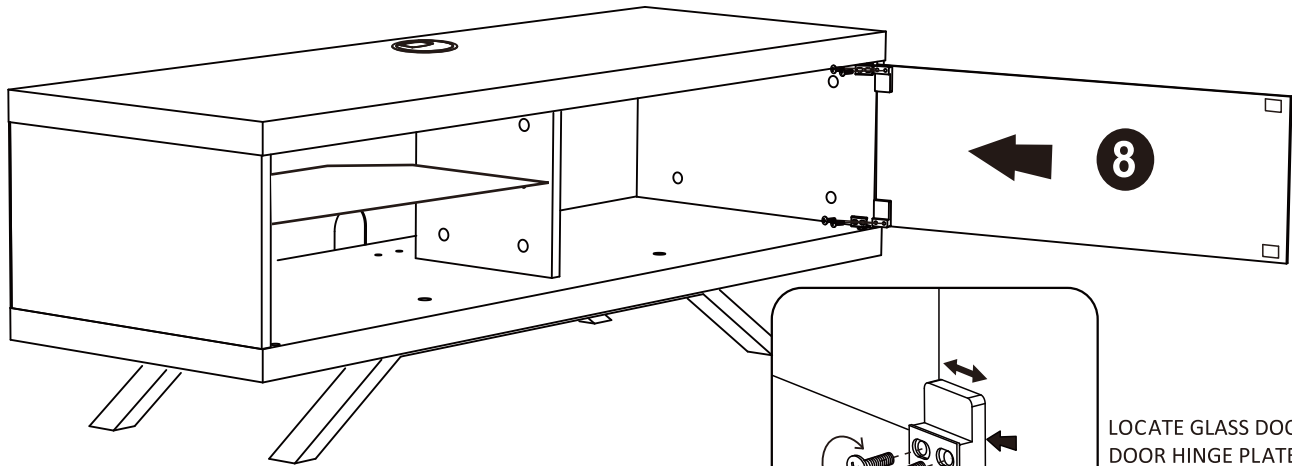
MEDIA UNIT

STEP 8a

FITTING LEFT HAND
GLASS DOOR



LOCATE DOOR HINGE
PLATES INTO PIVOT CUPS
IN TOP & BASE PANELS

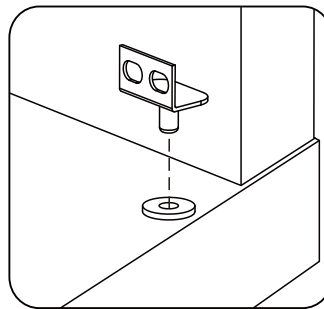
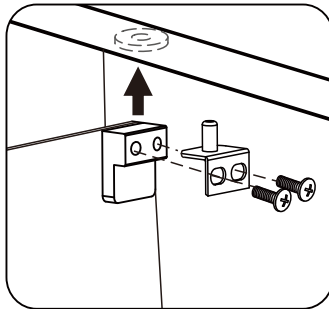


LOCATE GLASS DOOR INTO
DOOR HINGE PLATES & FIT
SCREWS.

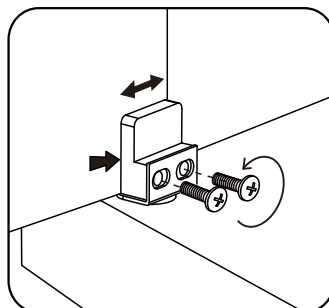
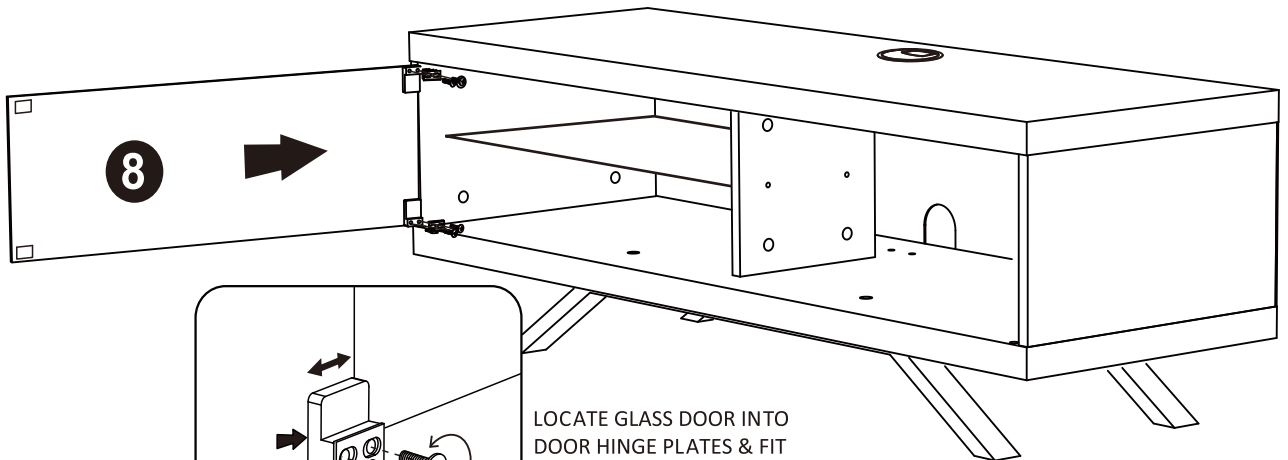
NOTE : DOOR ALIGNMENT CAN BE ADJUSTED BY LOOSENING SCREWS (H) & RE-POSITIONING BEFORE TIGHTENING SCREWS

STEP 8b

FITTING LEFT HAND
GLASS DOOR



LOCATE DOOR HINGE
PLATES INTO PIVOT CUPS
INTOP & BASE PANELS



LOCATE GLASS DOOR INTO
DOOR HINGE PLATES & FIT
SCREWS.

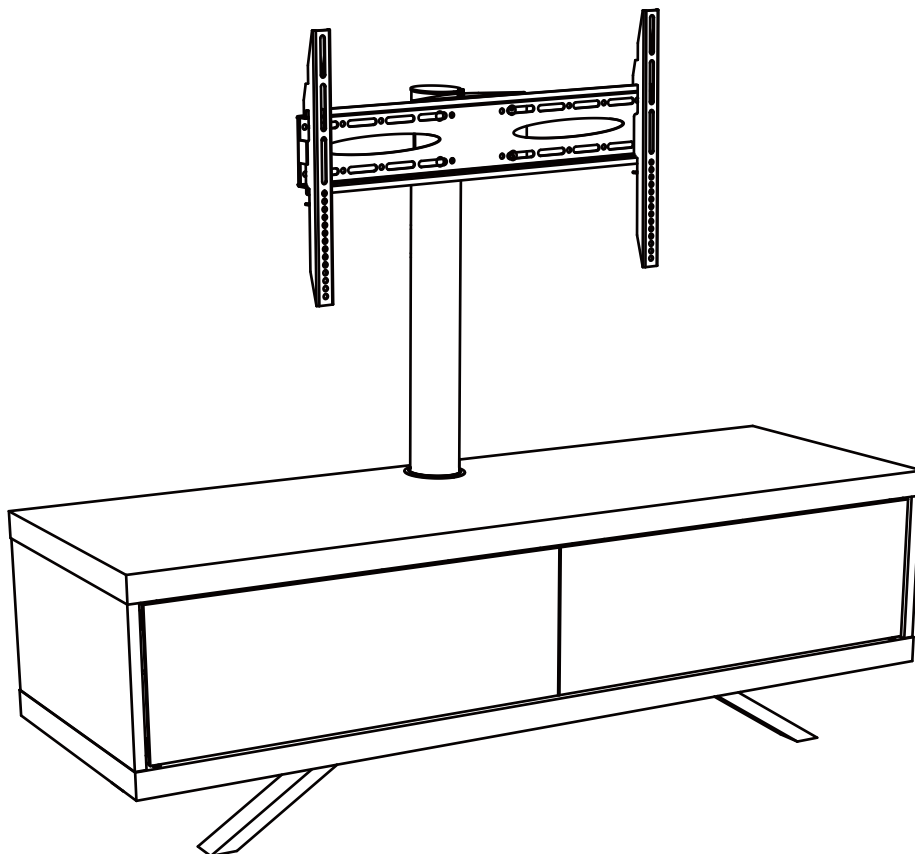
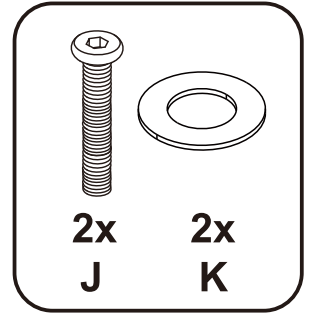
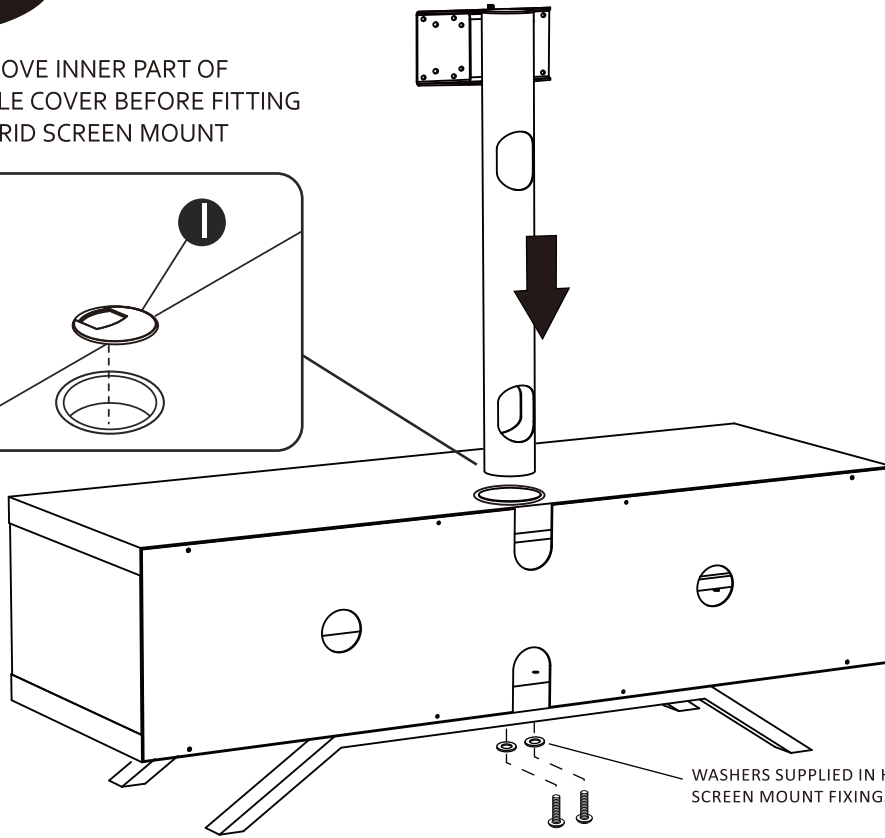
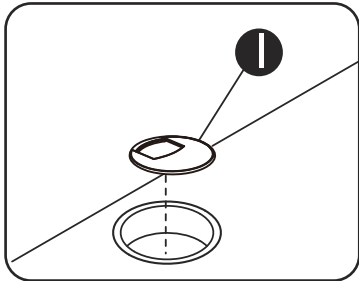
NOTE : DOOR ALIGNMENT CAN BE ADJUSTED BY LOOSENING SCREWS (H) & RE-POSITIONING BEFORE TIGHTENING SCREWS

MEDIA UNIT

STEP 9

FITTING THE HYBRID SCREEN MOUNTING SYSTEM (SOLD / SUPPLIED SEPERATELY)

REMOVE INNER PART OF
CABLE COVER BEFORE FITTING
HYBRID SCREEN MOUNT



PLEASE REFER TO THE ASSEMBLY INSTRUCTIONS SUPPLIED WITH THE HYBRID MOUNTING SYSTEM FOR FURTHER DETAILS OF ASSEMBLY & TV SCREEN FITMENT.