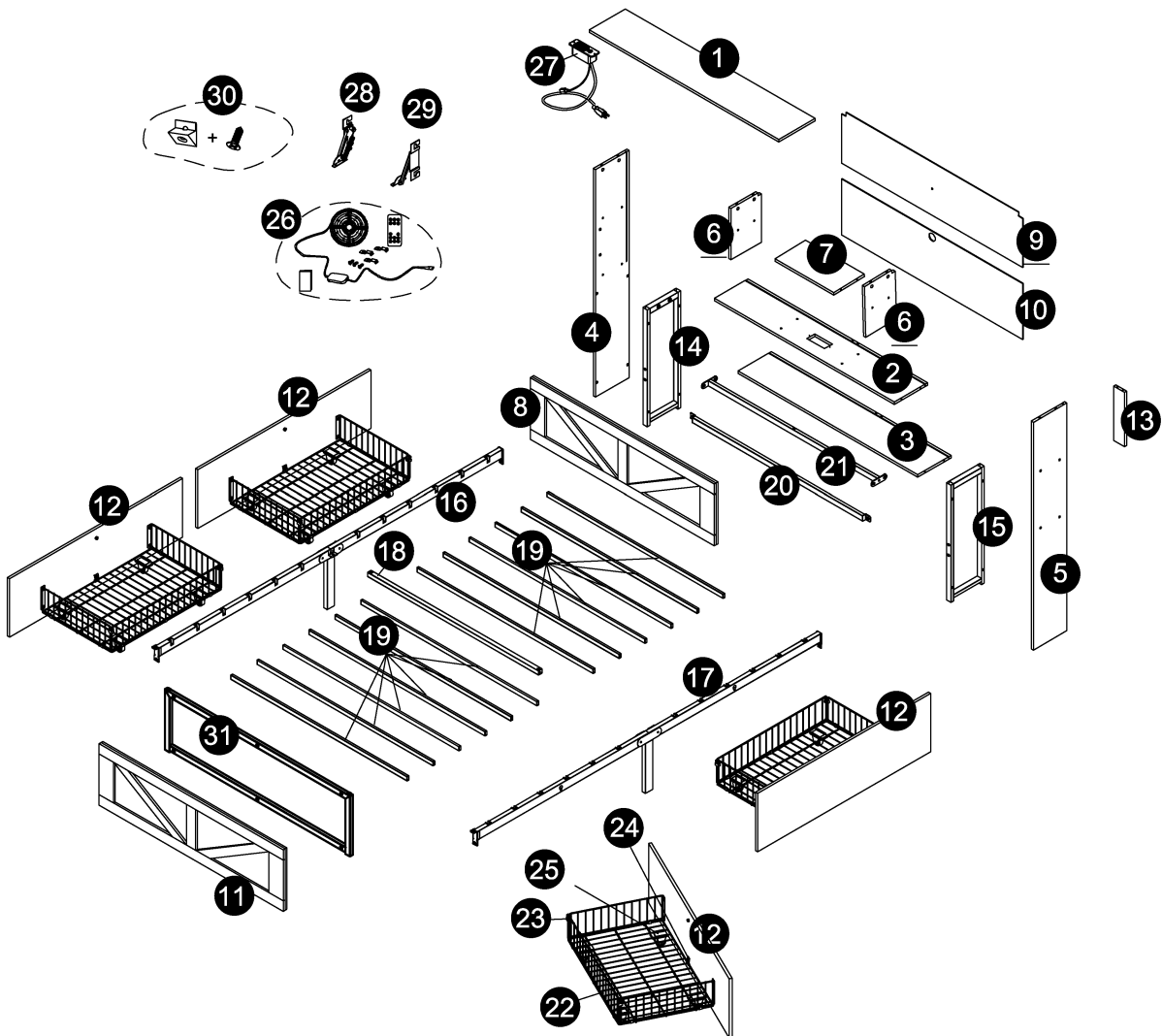


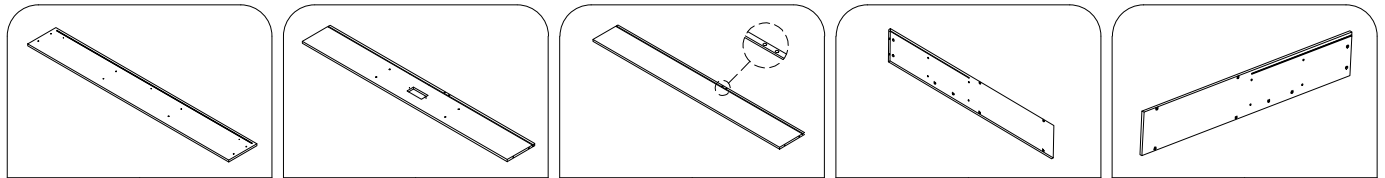
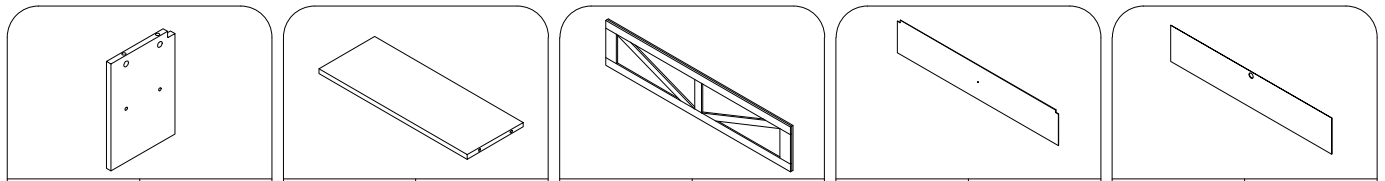
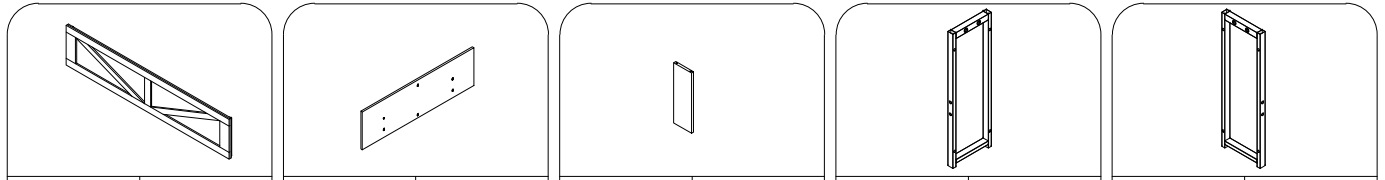
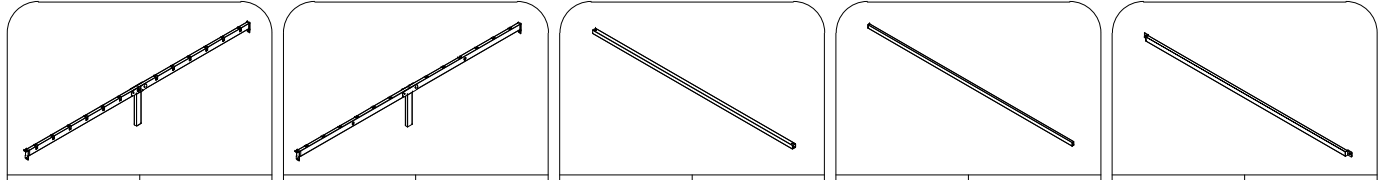
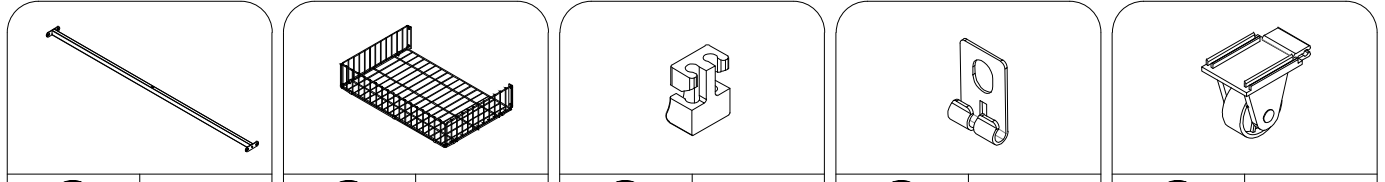
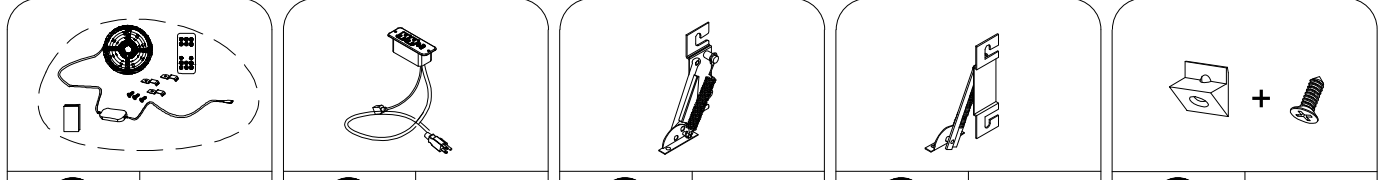
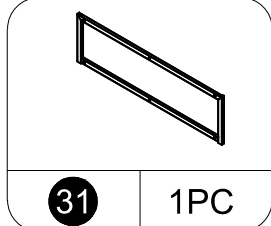
**Note:**

Should be assembled on flat ground to keep balance.  
It needs at least two people to install.

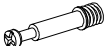

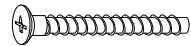


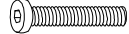
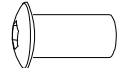

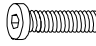
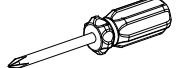

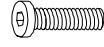
Before starting the assembly, you must read the whole manual and follow the instructions.



! Pls make sure all the accessories are complete!

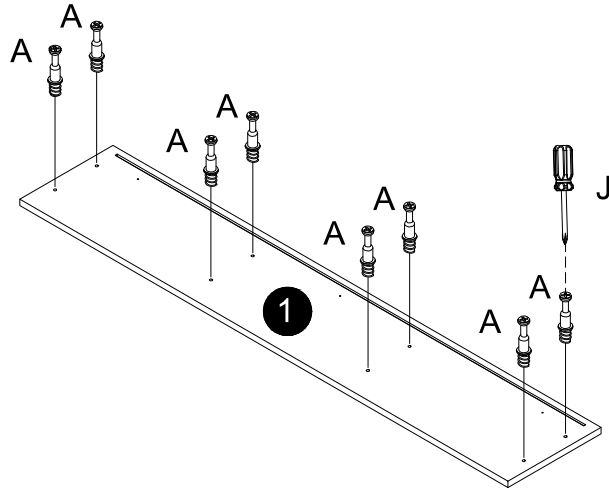
|  |           |      |           |      |           |      |           |       |           |       |
|--|-----------|------|-----------|------|-----------|------|-----------|-------|-----------|-------|
|    | <b>1</b>  | 1PC  | <b>2</b>  | 1PC  | <b>3</b>  | 1PC  | <b>4</b>  | 1PC   | <b>5</b>  | 1PC   |
|    | <b>6</b>  | 2PCS | <b>7</b>  | 1PC  | <b>8</b>  | 1PC  | <b>9</b>  | 1PC   | <b>10</b> | 1PC   |
|    | <b>11</b> | 1PC  | <b>12</b> | 4PCS | <b>13</b> | 1PC  | <b>14</b> | 1PC   | <b>15</b> | 1PC   |
|   | <b>16</b> | 1PC  | <b>17</b> | 1PC  | <b>18</b> | 1PC  | <b>19</b> | 12PCS | <b>20</b> | 1PC   |
|  | <b>21</b> | 1PC  | <b>22</b> | 4PCS | <b>23</b> | 8PCS | <b>24</b> | 4PCS  | <b>25</b> | 16PCS |
|  | <b>26</b> | 1PC  | <b>27</b> | 1PC  | <b>28</b> | 1PC  | <b>29</b> | 1PC   | <b>30</b> | 8PCS  |
|   | <b>31</b> | 1PC  |           |      |           |      |           |       |           |       |

**! Pls make sure all the accessories are complete!**

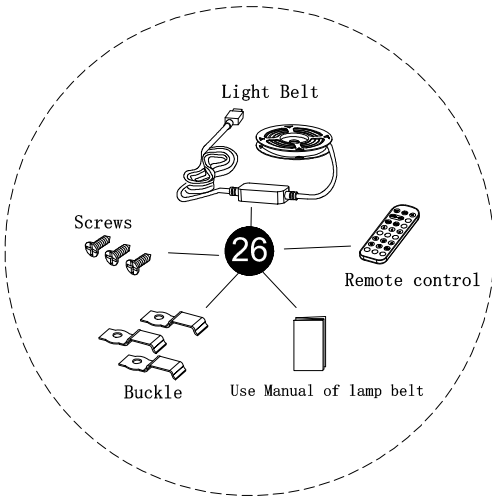
|   |  |   |  |   |
|---|--|---|--|---|
| <br><b>A</b> (8+1)PCS  | <br><b>B</b> (8+1)PCS | <br><b>C</b> (21+2)PCS | <br><b>D</b> (2+1)PCS | <br><b>E</b> (34+3)PCS |
| <br><b>F</b> (11+1)PCS | <br><b>G</b> (2+1)PCS | <br><b>H</b> (10+1)PCS | <br><b>I</b> (2+1)PCS | <br><b>J</b> 1PC       |
| <br><b>K</b> 2PCS      | <br><b>L</b> (6+1)PCS |   |  |   |

# Step 1

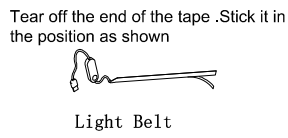
|   |   |  |      |
|---|---|--|------|
| A |  |  | 8pcs |
| J |  |  | 1pc  |



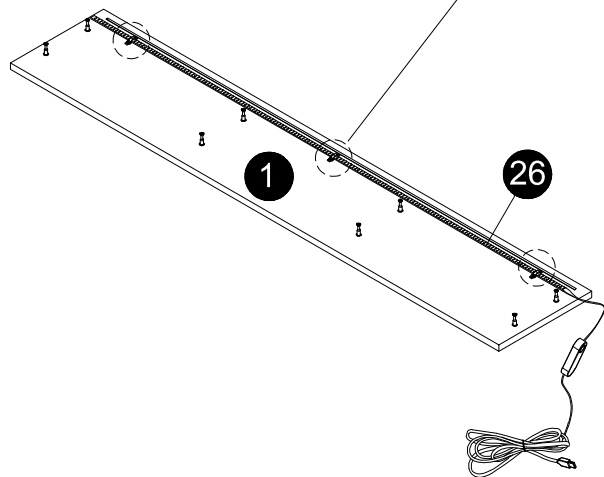
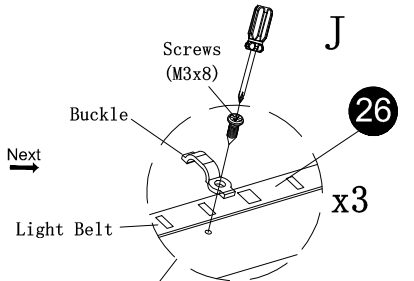
# Step 2




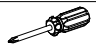
Next →

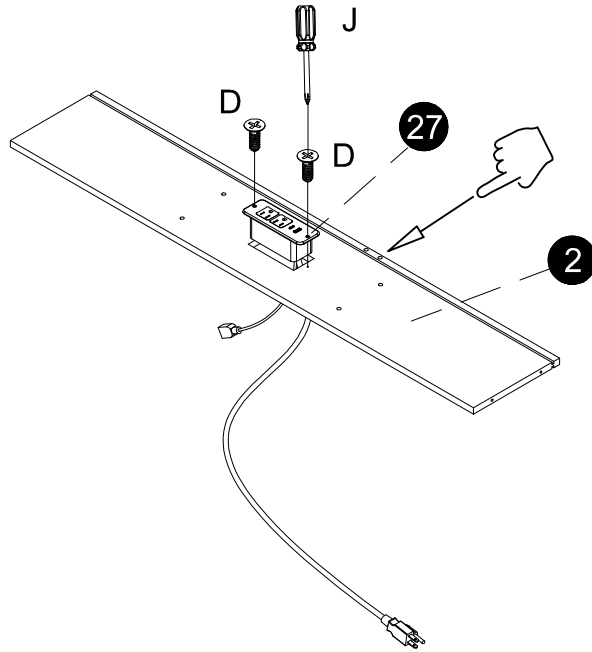


Next →

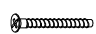



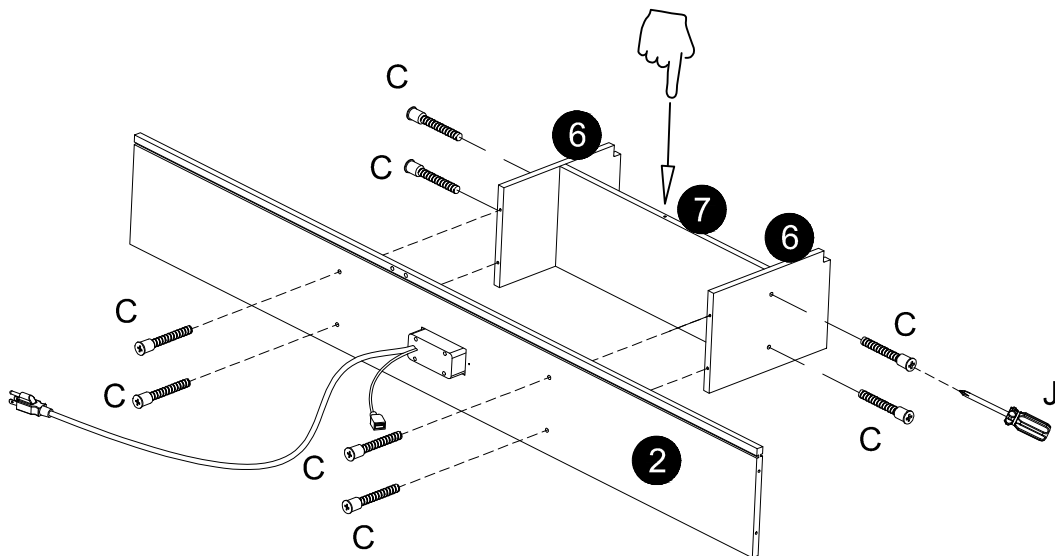
### Step 3

|   |   |       |      |
|---|---|-------|------|
| D |   | M4x12 | 2pcs |
| J |  |       | 1pc  |

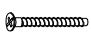



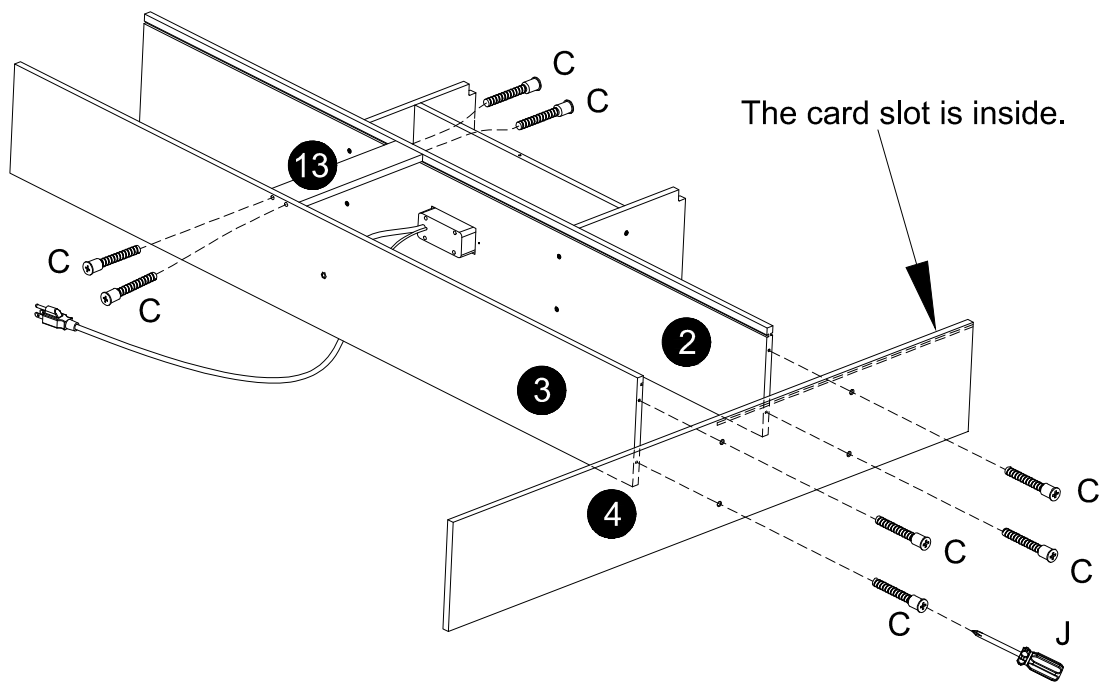
### Step 4

|   |   |        |      |
|---|---|--------|------|
| C |  | 5*35mm | 8pcs |
| J |  |        | 1pc  |

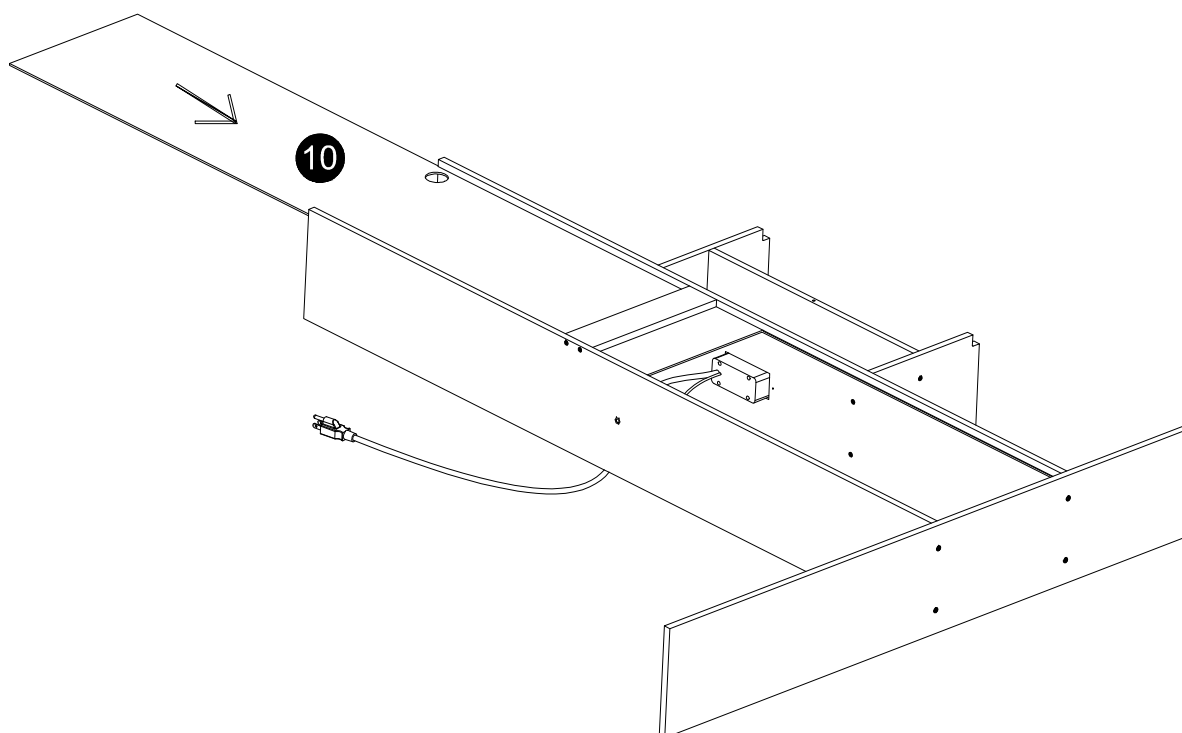


## Step 5

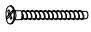

|   |   |        |      |
|---|---|--------|------|
| C |   | 5*35mm | 8pcs |
| J |  |        | 1pc  |

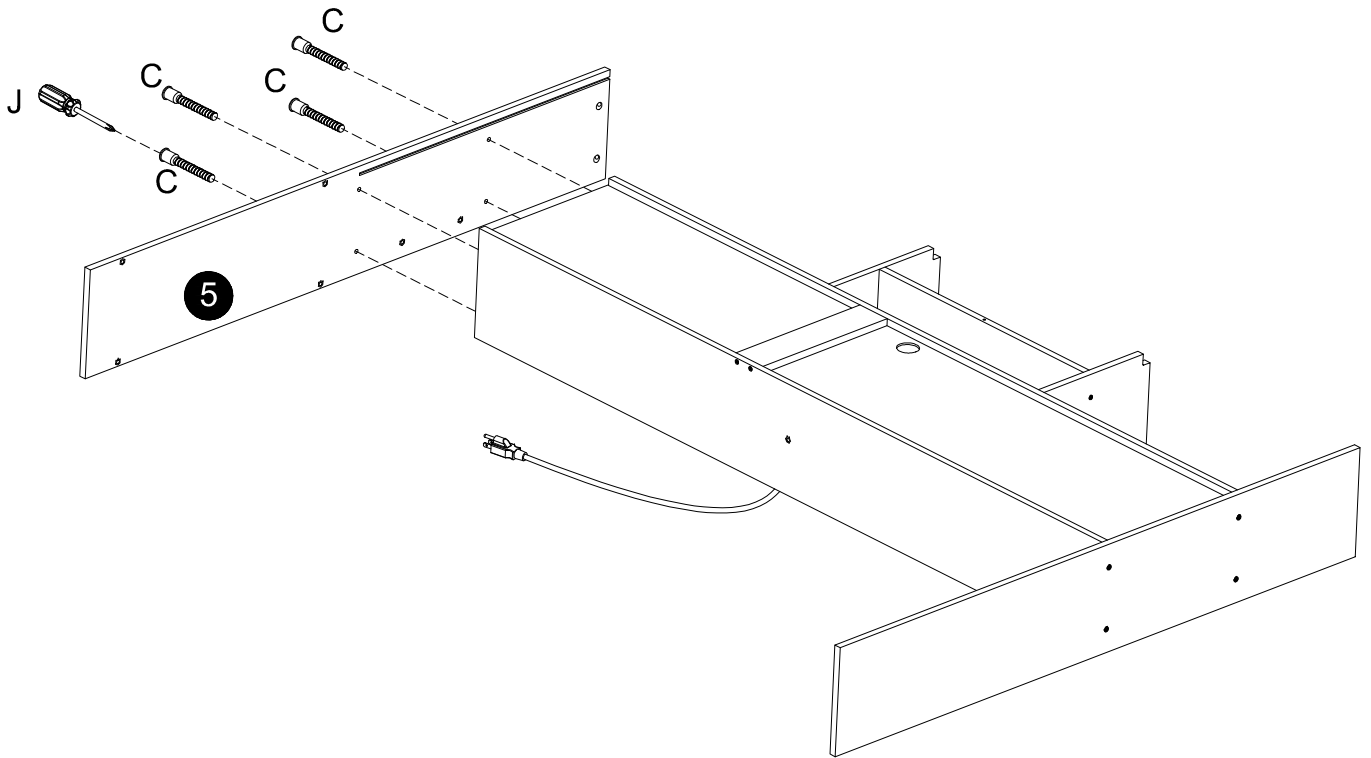


## Step 6

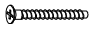



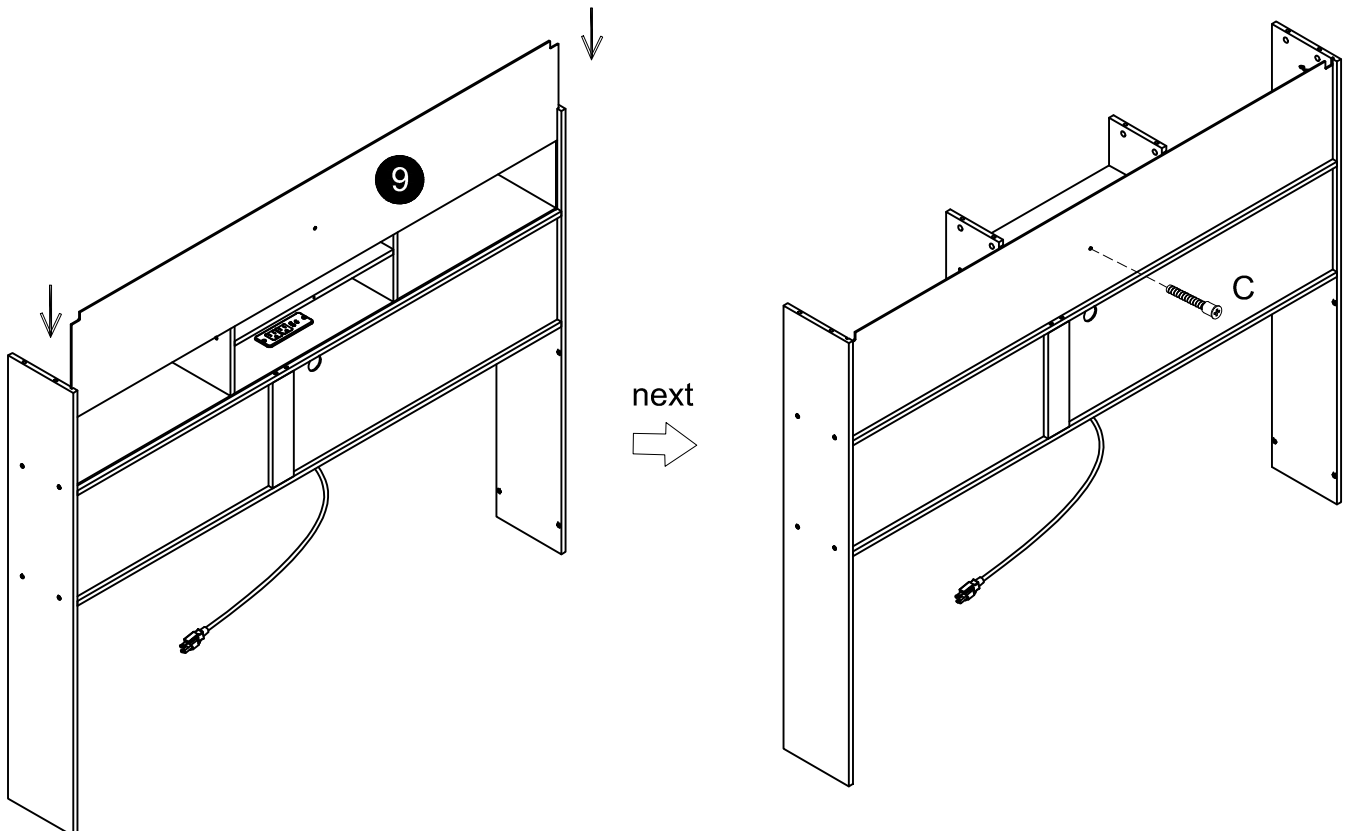
### Step 7

|   |   |        |      |
|---|---|--------|------|
| C |   | 5*35mm | 4pcs |
| J |  |        | 1pc  |



### Step 8

|   |   |        |     |
|---|---|--------|-----|
| C |  | 5*35mm | 1pc |
| J |  |        | 1pc |

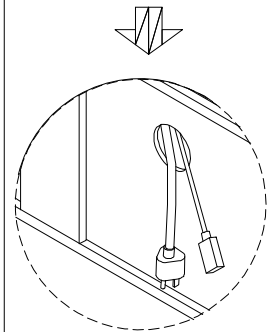
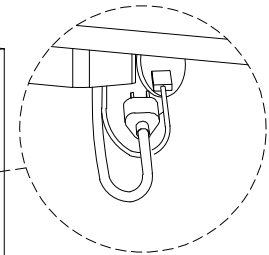
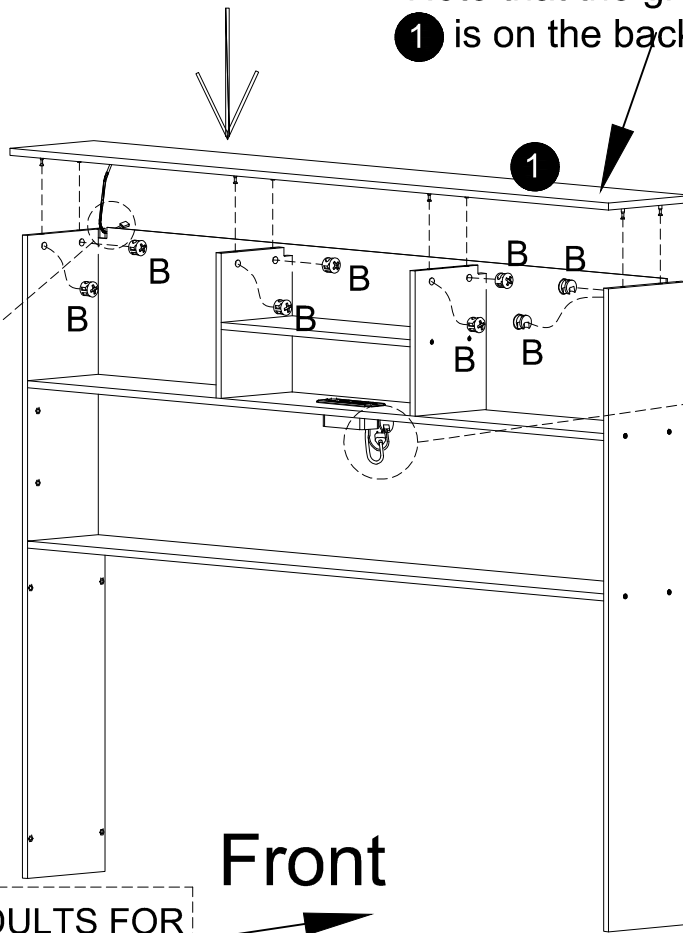
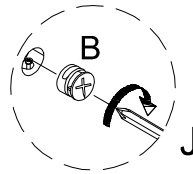
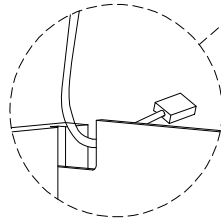


## Step 9

|   |   |  |      |
|---|---|--|------|
| B |  |  | 8pcs |
|---|---|--|------|

|   |   |  |  |
|---|---|--|--|
| J |  |  |  |
|---|---|--|--|


Note that the groove on **1** is on the back side.




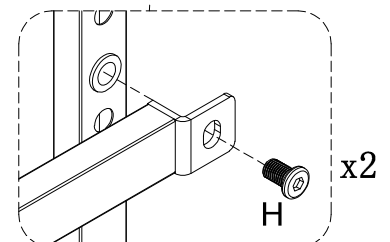
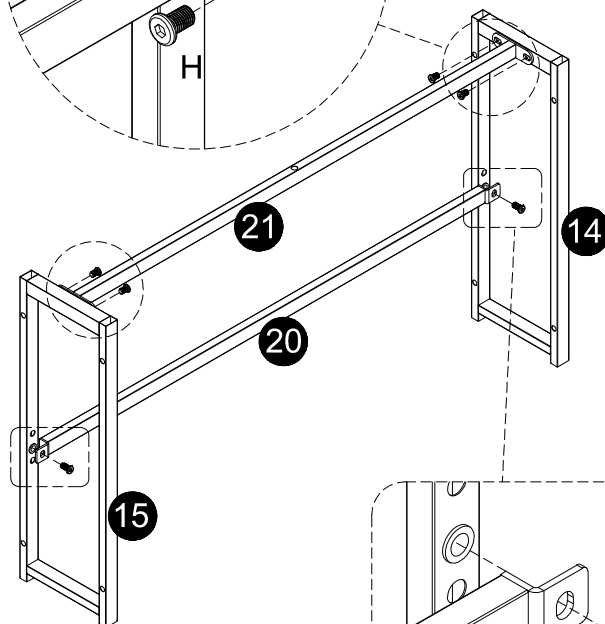
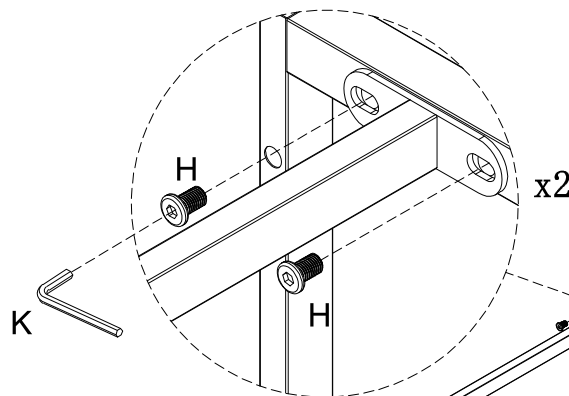
⚠ DUMP WITH CARE

⚠ RECOMMEND 2 OR MORE ADULTS FOR QUICKER ASSEMBLY



## Step 10

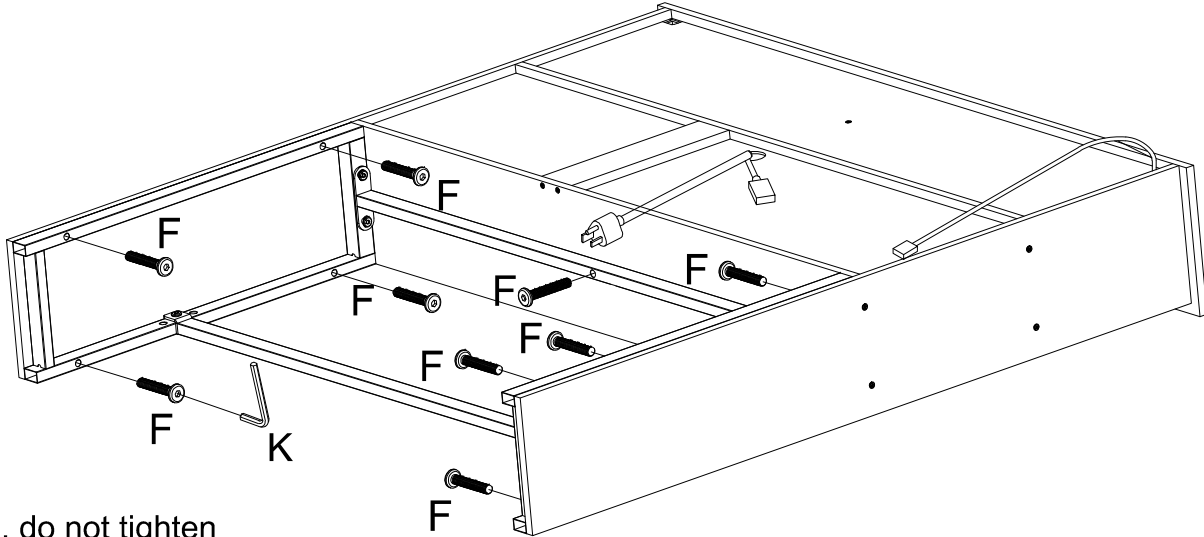
|   |   |         |      |
|---|---|---------|------|
| H |  | M8*12mm | 6pcs |
|---|---|---------|------|

|   |   |     |     |
|---|---|-----|-----|
| K |  | 4mm | 1pc |
|---|---|-----|-----|






## Step 11

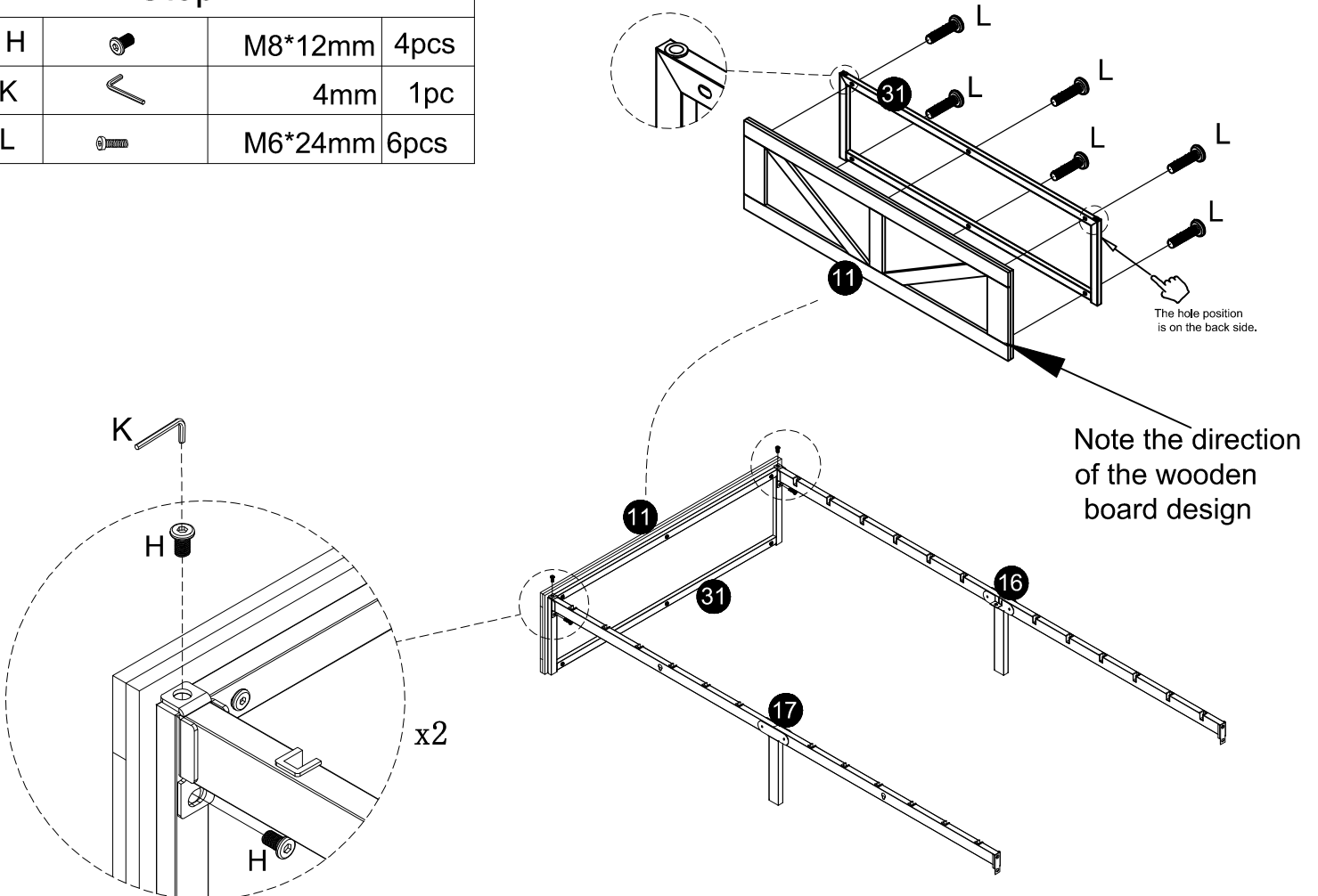
|   |   |         |      |
|---|---|---------|------|
| F |  | M6*34mm | 9pcs |
| K |  | 4mm     | 1pc  |







Note, do not tighten the screws yet, first align each screw with the holes before tightening.

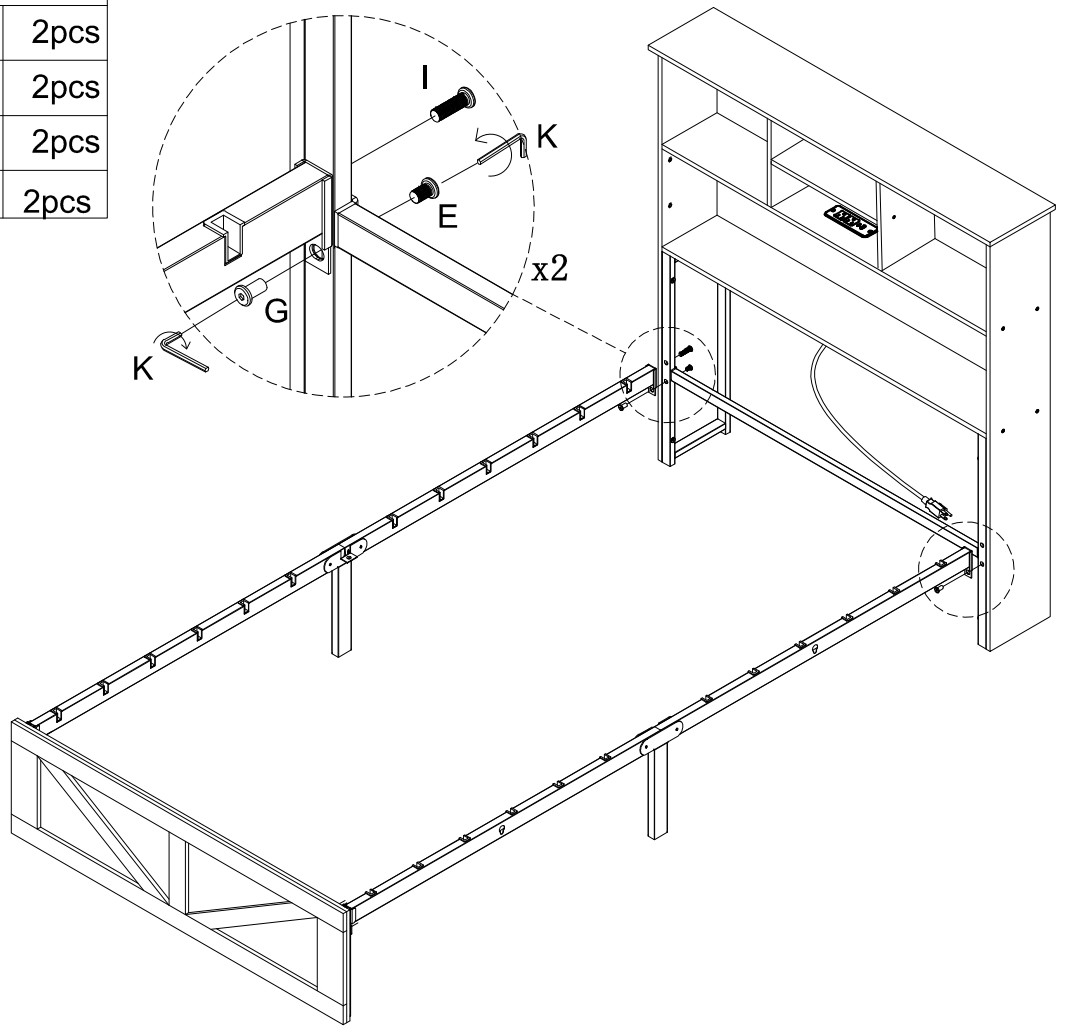
## Step 12

|   |   |         |      |
|---|---|---------|------|
| H |  | M8*12mm | 4pcs |
| K |  | 4mm     | 1pc  |
| L |  | M6*24mm | 6pcs |





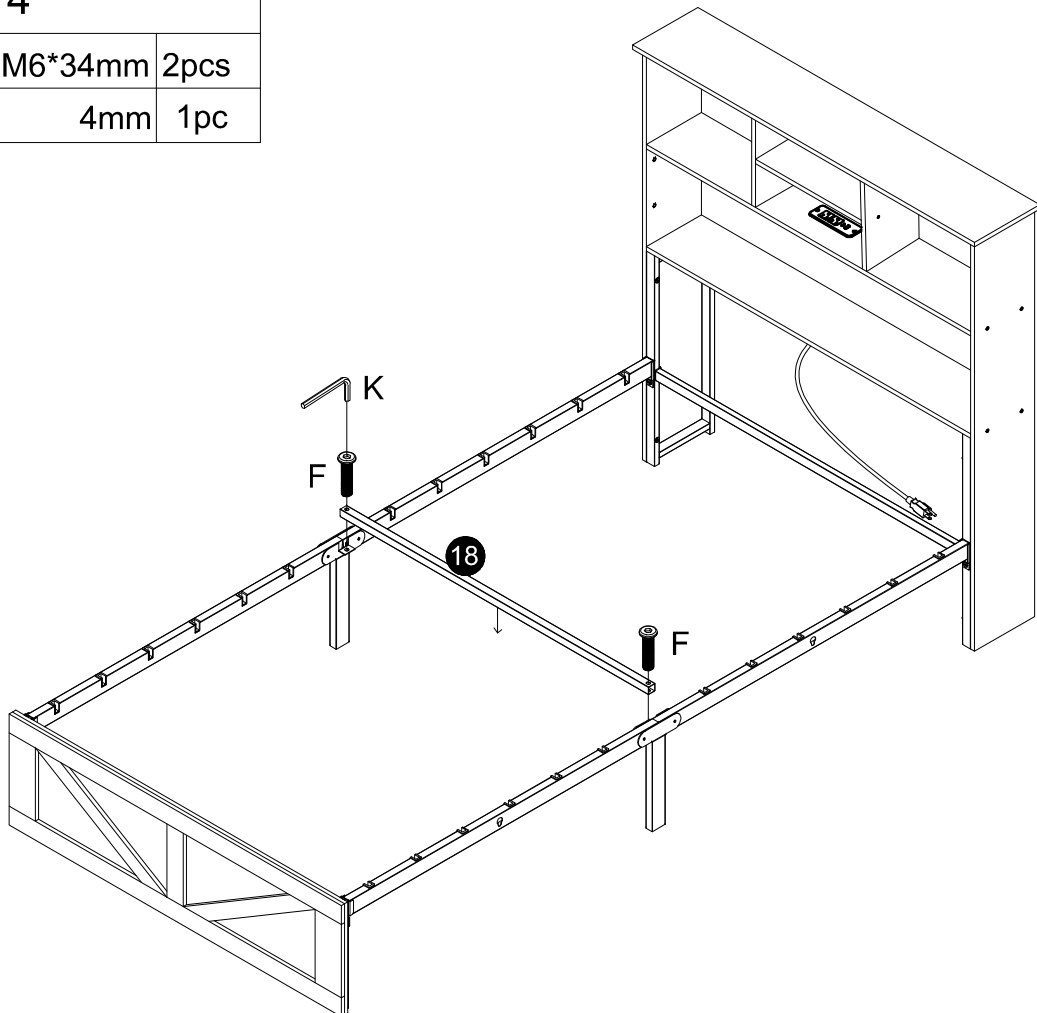
### Step 13

|   |   |         |      |
|---|---|---------|------|
| E |   | M6*10mm | 2pcs |
| G |  | M6*15mm | 2pcs |
| I |  | M8*25mm | 2pcs |
| K |  | 4mm     | 2pcs |

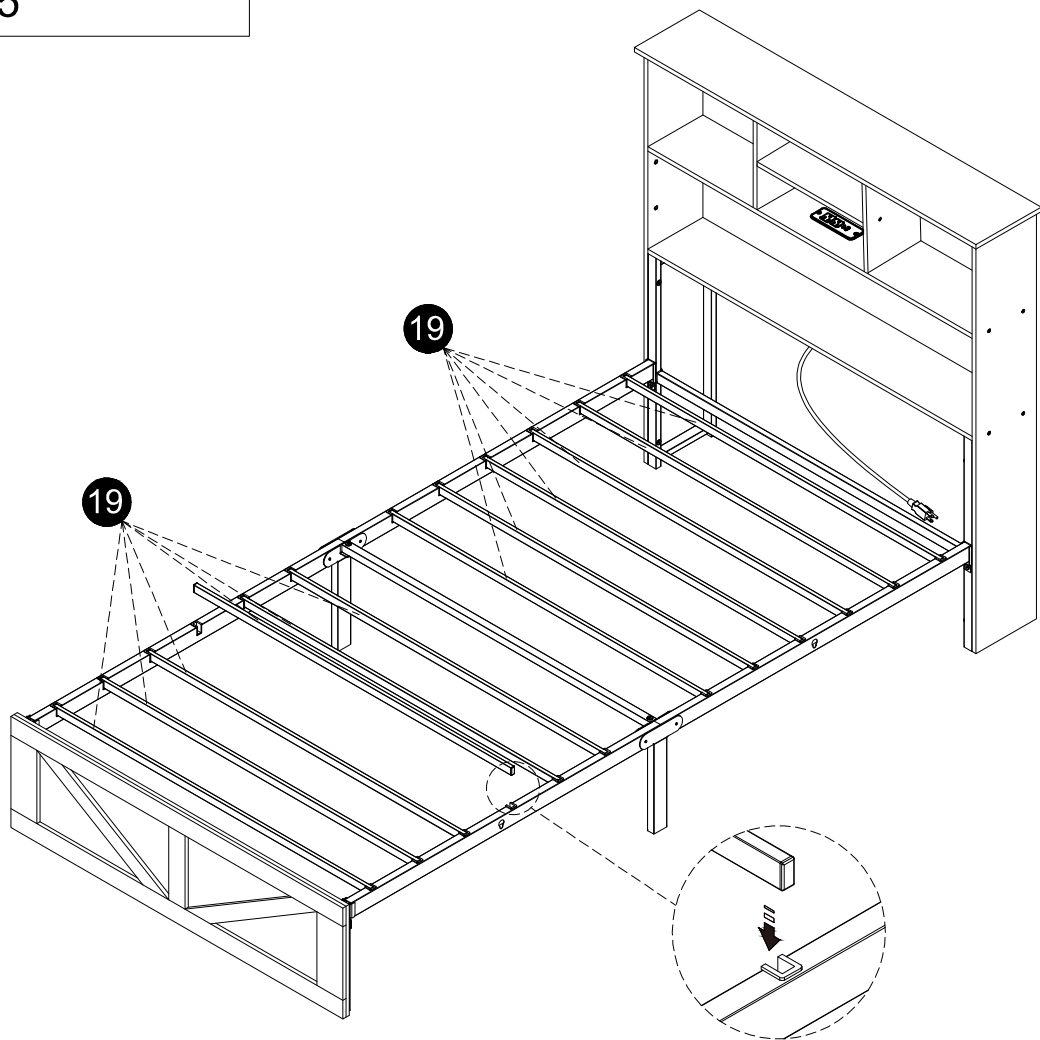


### Step 14



|   |   |         |      |
|---|---|---------|------|
| F |  | M6*34mm | 2pcs |
| K |  | 4mm     | 1pc  |

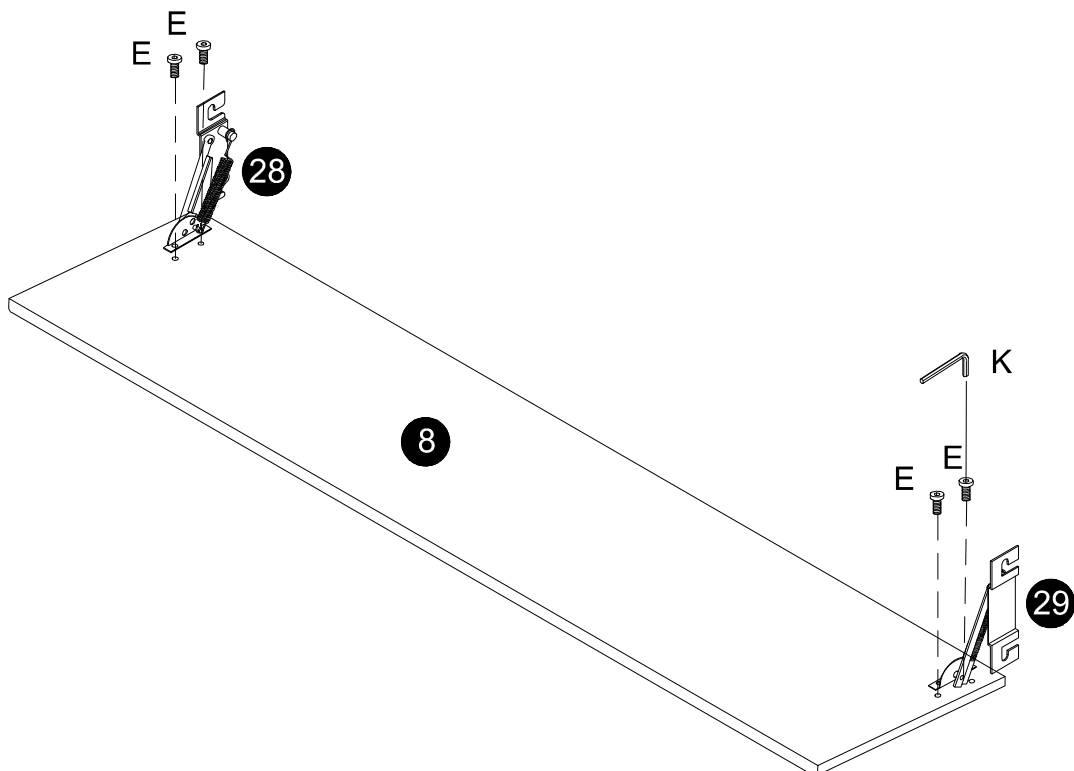


# Step 15





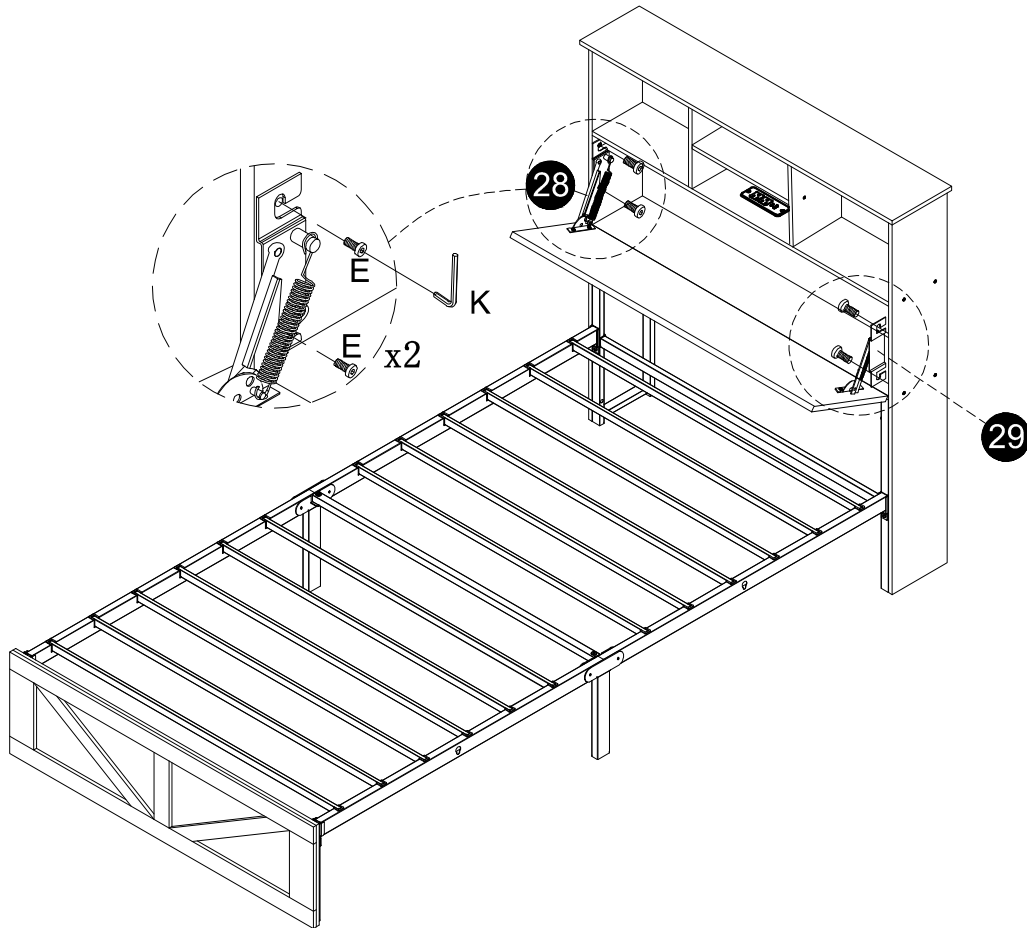
# Step 16

|   |   |         |      |
|---|---|---------|------|
| E |  | M6*10mm | 4pcs |
| K |  | 4mm     | 1pc  |



# Step 17

|   |   |         |      |
|---|---|---------|------|
| E |   | M6*10mm | 4pcs |
| K |  | 4mm     | 1pc  |



RECOMMEND 2 OR MORE ADULTS FOR QUICKER ASSEMBLY

Step 18

Step:C

Step:B

Step:A

23  
X8

24  
X4

22  
X4

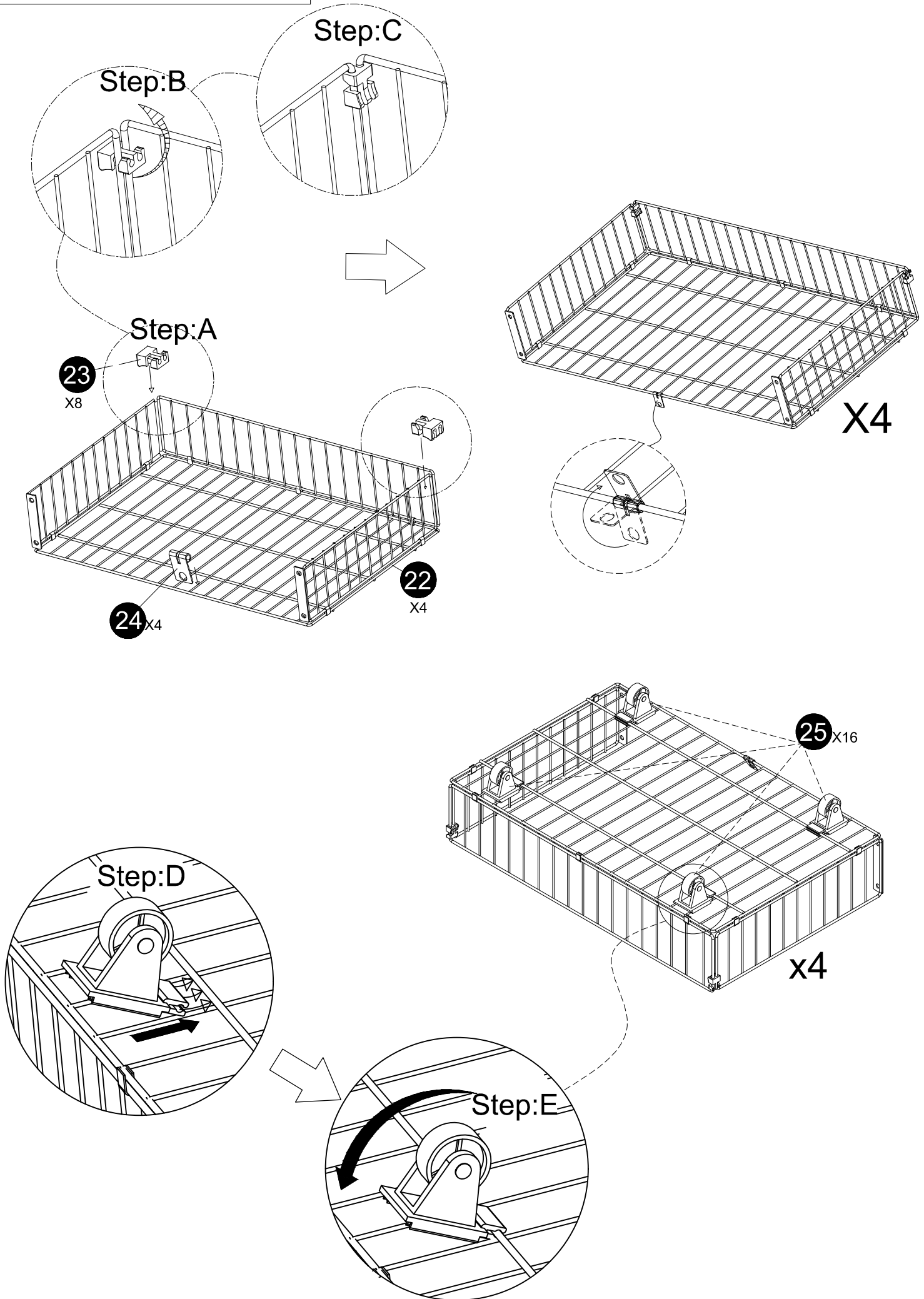
X4

Step:D

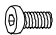

25  
X16

x4

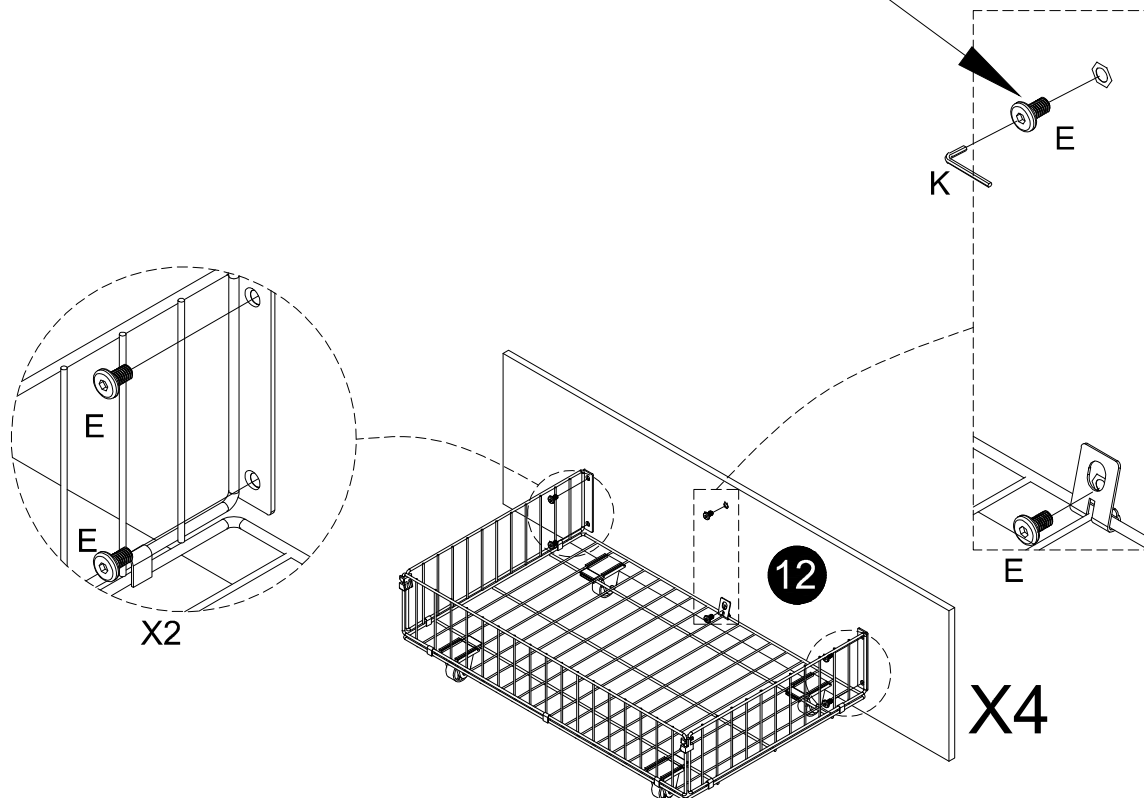
Step:E



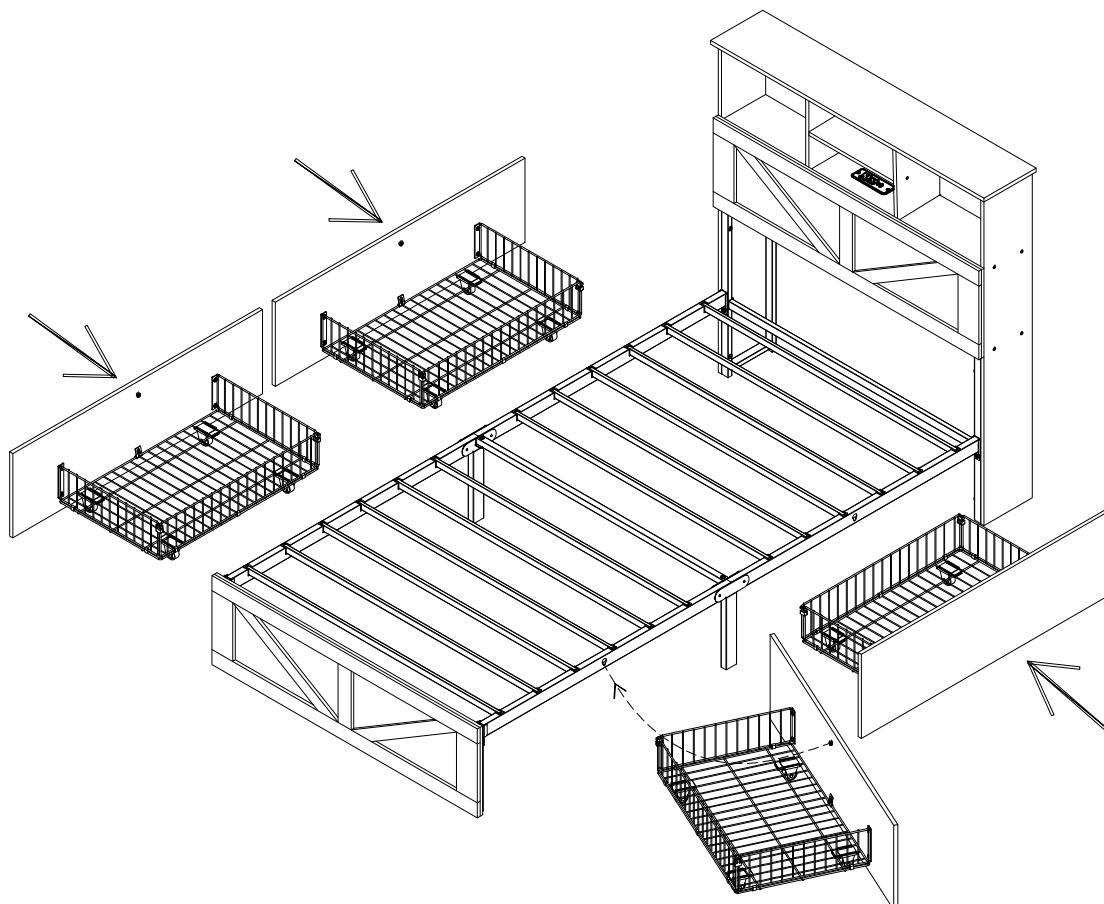
## Step 19

|   |   |         |       |
|---|---|---------|-------|
| E |   | M6*10mm | 24pcs |
| K |  | 4mm     | 1pc   |

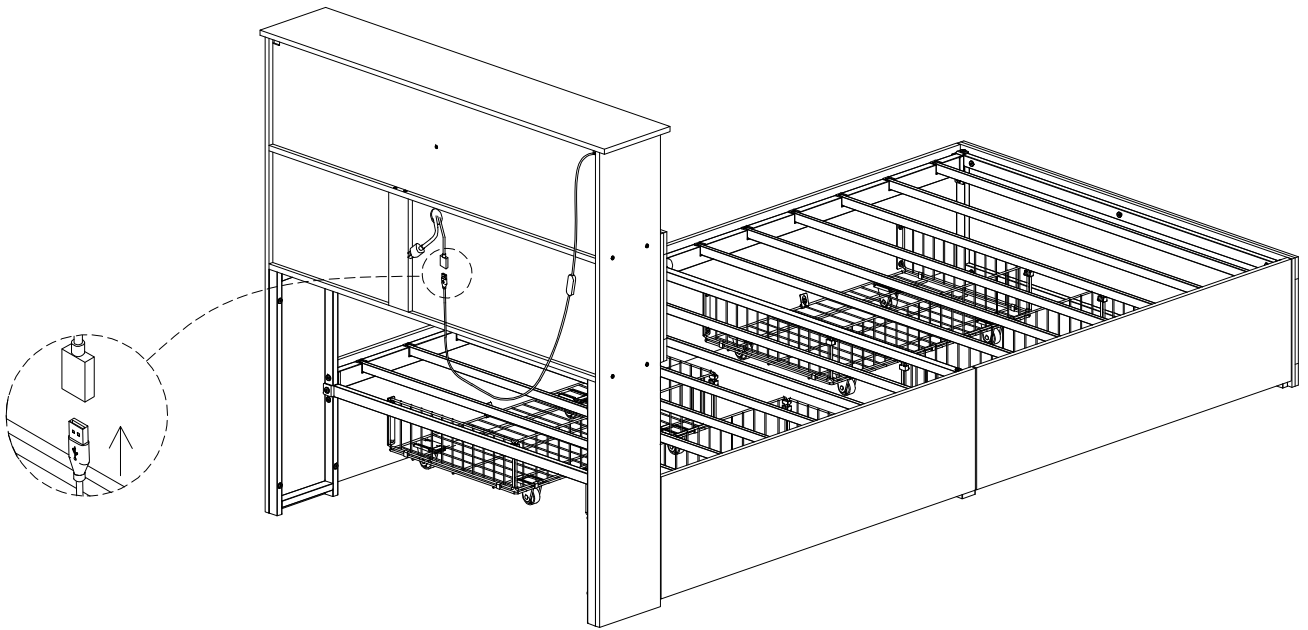
This screw maintains a distance of 1-2mm.



## Step 20



## Step 21



## Step 22

