

ASSEMBLY INSTRUCTIONS

24" STOOL

ASSEMBLY
REQUIREMENTS

60 MINUTES
Assembly Time
Approximate

2-Person
Assembly

Tools Required
(Not Provided)

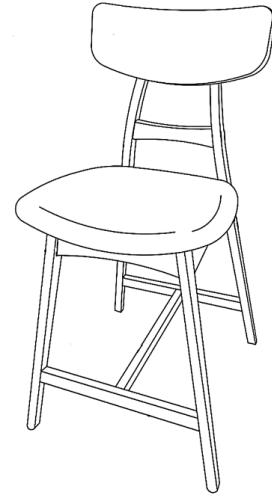


Thank you for purchasing our product!

Please refer and use this assembly instruction to assemble the product. Contact our customer service department in case there are any missing or damage parts or hardware. Replacement parts are normally shipped within 2 or 3 days.

PRODUCTS PURCHASED THROUGH OUR AUTHORIZED VENDORS ONLY ARE ELIGIBLE FOR REPLACEMENT PARTS.

We appreciate your business!



THIS PRODUCT IS FOR INDOOR AND HOUSEHOLD USE ONLY - NOT FOR COMMERCIAL USE.

ASSEMBLY PREPARATION

1. Remove all packaging materials, staples and packing straps from the carton.
2. Refer to Parts List and Hardware List and ensure parts and hardware are correct before assembly.
Contact customer service for missing parts.
3. Place all wooden parts on a clean, flat and soft surface (e.g. carpet or rug) to prevent parts from getting scratched.

SAFETY PRECAUTION

1. KEEP ALL HARDWARE PARTS OUT OF REACH OF CHILDREN.
2. DISPOSE PLASTIC PACKAGING MATERIAL IMMEDIATELY TO AVOID ANY RISK OF SUFFOCATION TO CHILDREN AND ANIMALS.

TIPS FOR ASSEMBLY

1. Allow ample room for assembly and in close proximity to where product will be placed.
2. Assemble the product on a surface that does not scratch or damage the exterior gloss and finish of the furniture.
3. Identify all of the parts, hardware and quantities required for each step.
4. During assembly, do not over-tighten any fittings as this may cause damage.
5. DO NOT USE POWER TOOLS TO ASSEMBLE THIS PRODUCT.
6. Always place the product on a flat, level surface.
7. Do not sit or stand on the partially assembled product; only use the product for which it is intended.

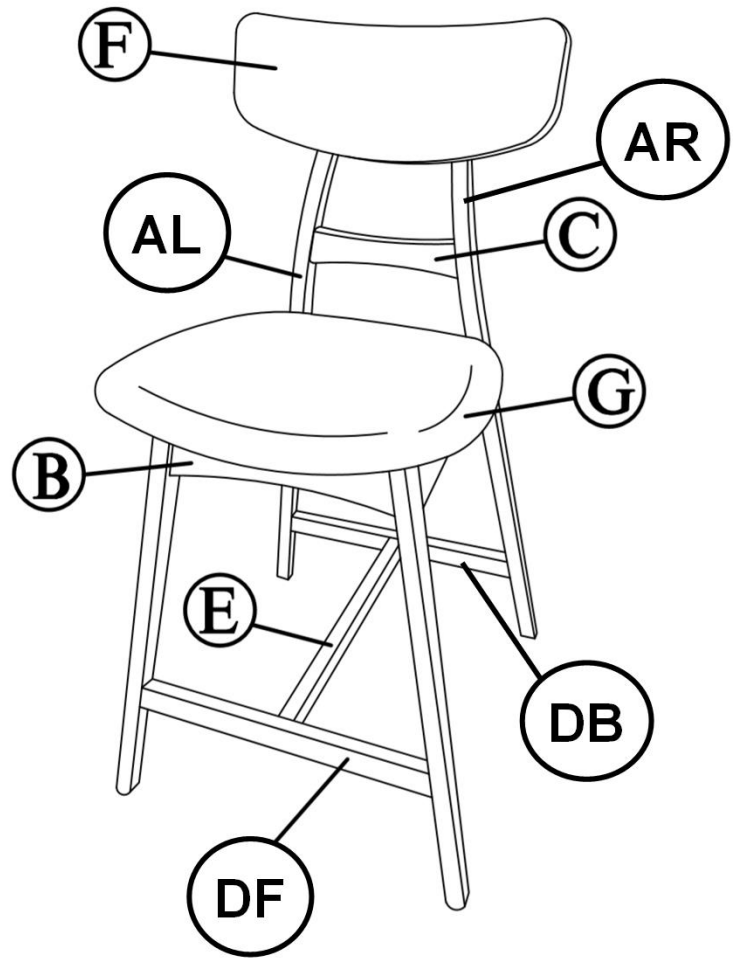
CARE AND MAINTENANCE











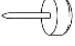
- Use a slightly damp cloth to clean the product. Do not use bleach or abrasive cleaning material.
- Check all the fittings periodically and re-tighten as necessary. Do not use the product if any of the parts is damaged or broken.
- Never allow any kind of liquid to remain on your furniture. Absorption can cause wood to warp or delaminate.
- Do not place hot items (e.g. hot drinks) directly onto the wood surface.
- Do not drag and/or pull the furniture.

ASSEMBLY INSTRUCTIONS

24" STOOL

Part List (For 2 chairs)		
No.	Description	Qty
AL	Chair Leg (Left)	2 pcs
AR	Chair Leg (Right)	2 pcs
B	Front & Back Apron	4 pcs
C	Wooden Bar	2 pcs
DF	Front Stretcher	2 pcs
DB	Back Stretcher	2 pcs
E	Center Stretcher	2 pcs
F	Backrest	2 pcs
G	Cushion Seat	2 pcs



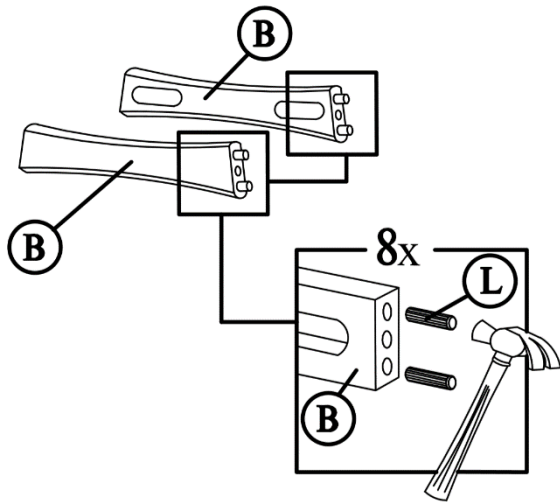
Hardware List (For 2 chairs)				
No.	Description	Qty	Extra*	
H	M6 x 25mm JCBC Screw 	8 pcs	1 pc	
I	M6 x 50mm JCBC Screw 	8 pcs	1 pc	
J	1/4 Spring Washer 	16 pcs	1 pc	
K	8 x 30mm Wood Dowel 	4 pcs	1 pc	
L	10 x 40mm Wood Dowel 	16 pcs	1 pc	
M	M8 x 25mm Wood Screw 	4 pcs	1 pc	
N	M8 x 32mm Wood Screw 	16 pcs	1 pc	
O	M8 x 38mm Wood Screw 	4 pcs	1 pc	
P	Wood Button 	8 pcs	1 pc	
Q	M4 Allen Key 	1 pc		
R	Leg Stud 		2 pcs	

* Extra hardware for spare use

ASSEMBLY INSTRUCTIONS

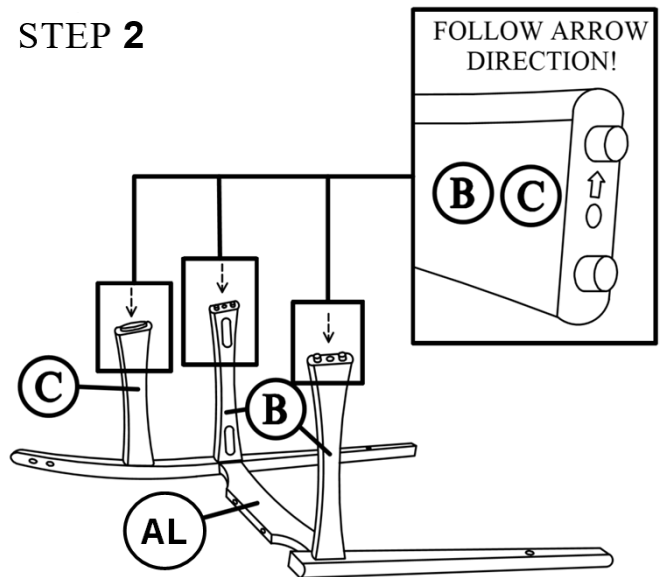
24" STOOL

STEP 1



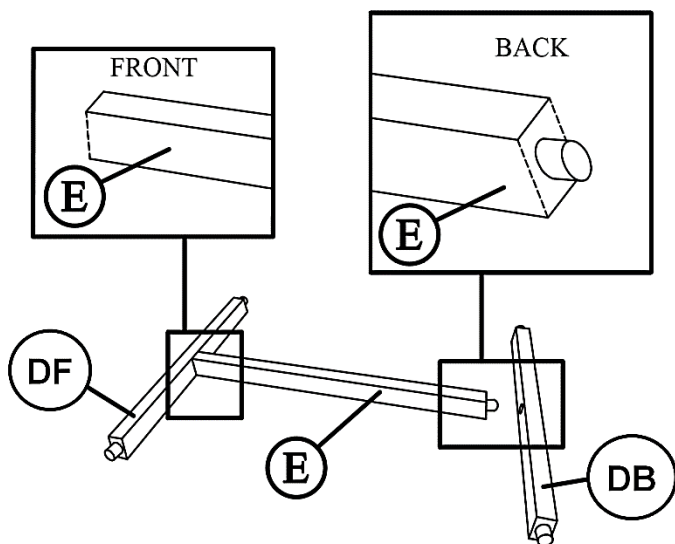
Insert Wood Dowel (L) into the outer holes on each end of Front and Back Apron (B). Use a hammer or mallet to lightly tap in wood dowel if necessary.

STEP 2



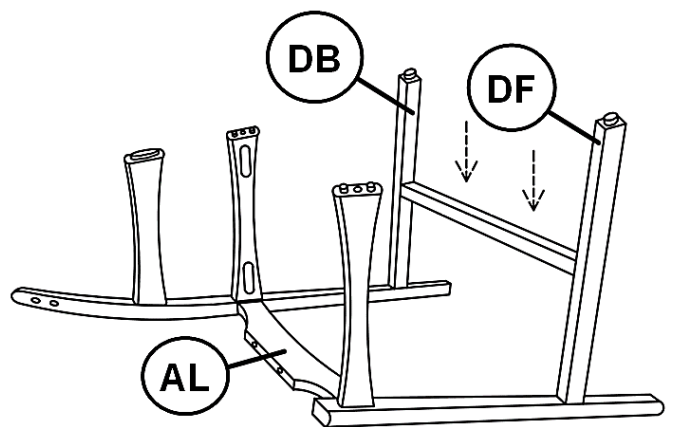
- a) Attach Front and Back Apron (B) to a Chair Leg (AL) via Wood Dowels on (B). Check that the arrow points up.
- b) Attach Wooden Bar (C) to a Chair Leg (AL) via tenon. Check that the arrow points up.

STEP 3



- a) Attach Center Stretcher (E) to Front Stretcher (DF) via tenon. Check that the word "FRONT" underneath Center Stretcher (E).
- b) Attach Center Stretcher (E) to Back Stretcher (DB) via tenon. Check that the word "BACK" underneath Center Stretcher (E).

STEP 4

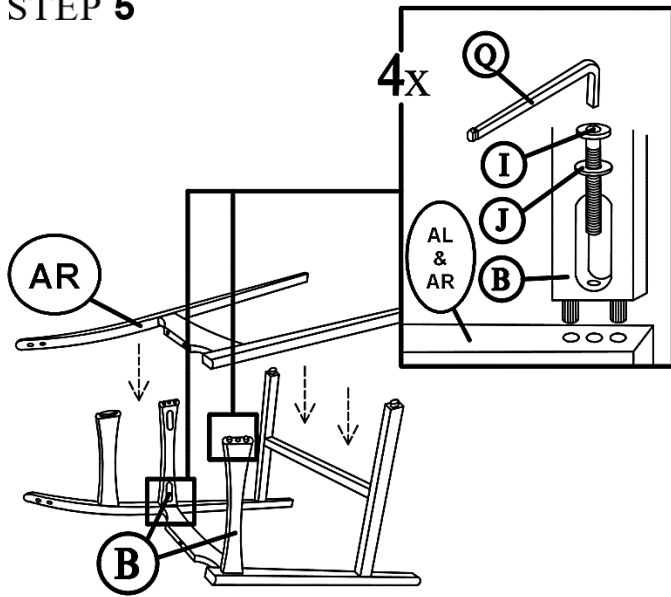


Attach Front Stretcher (DF) and Back Stretcher (DB) to a Chair Leg (AL) via tenon.

ASSEMBLY INSTRUCTIONS

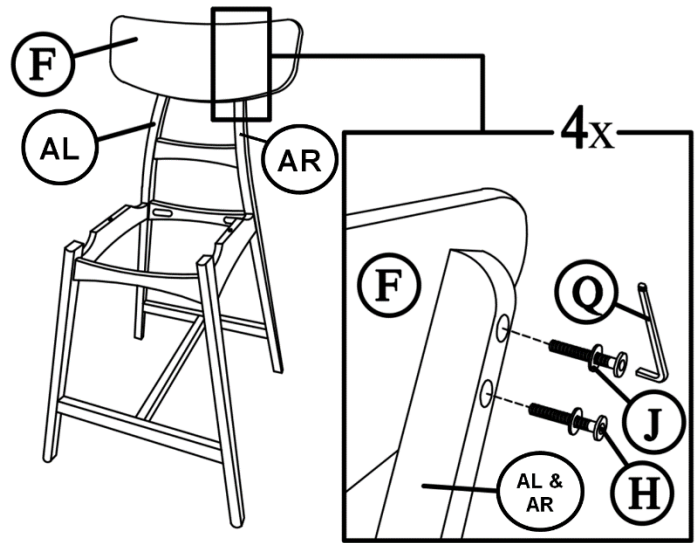
24" STOOL

STEP 5



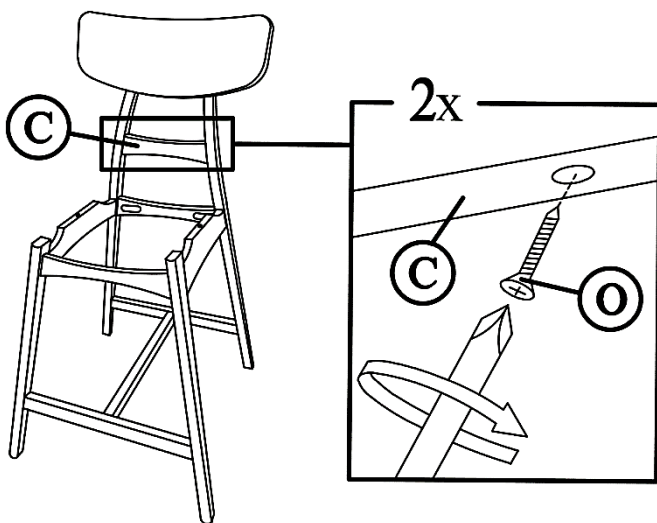
- a) Attach Chair Leg (AR) to Wooden Bar (C), Front and Back Apron (B), Front Stretcher (DF) and Back Stretcher (DB) via Wood Dowels on (B) or tenon.
- b) Use Screw (I) fitted with Spring Washer (J) to fasten (B) to (AL) and (AR). Use Allen Key (Q) to drive (I). Do not over-tighten.

STEP 6



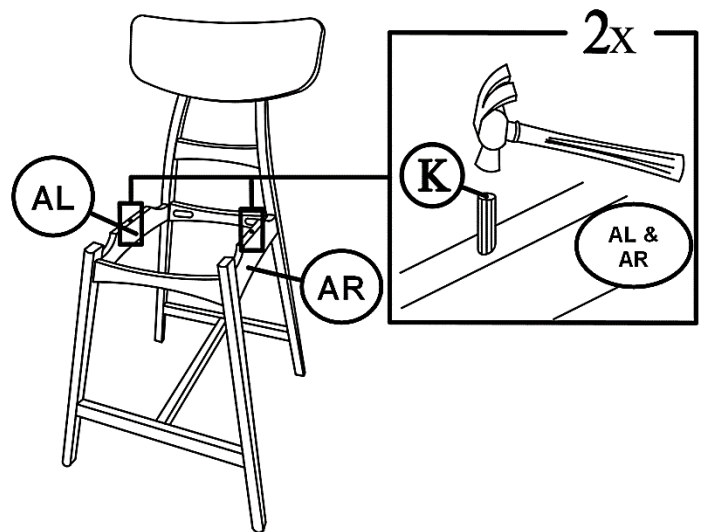
Use Screw (H) fitted with Spring Washer (J) to fasten Backrest (F) to Chair Leg (AL) and (AR). Use Allen Key (Q) to drive (H). Do not tighten (H) completely until both bolts are in place. Do not over-tighten.

STEP 7



Use Screw (O) to fasten Wooden Bar (C). Use Screwdriver (not provided) to drive (O). Do not over-tighten.

STEP 8

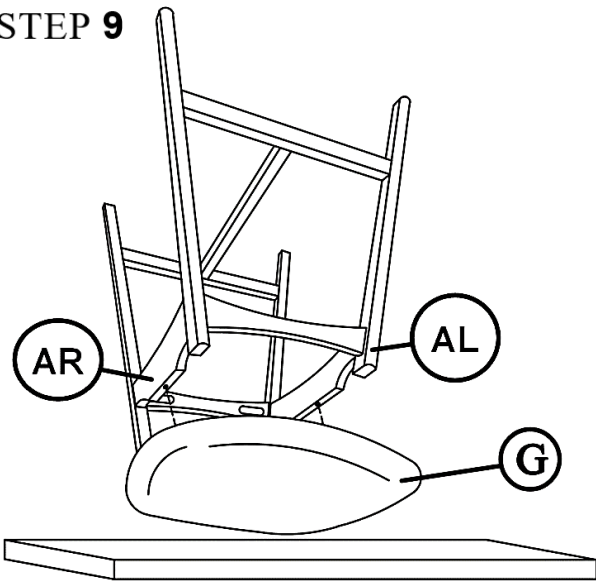


Insert Wood Dowel (K) into middle hole on side apron of (AL) and (AR). Use a hammer or mallet to lightly tap in wood dowel if necessary.

ASSEMBLY INSTRUCTIONS

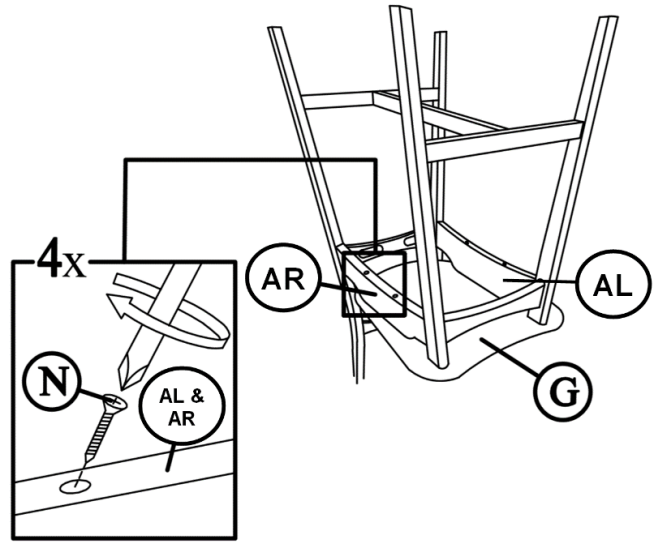
24" STOOL

STEP 9



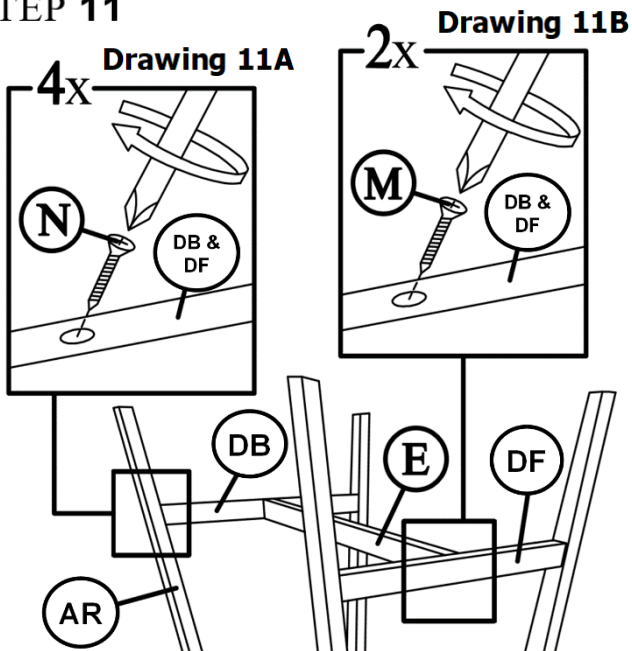
- a) Lay Cushion Seat (G) bottom-side up on an elevated surface (e.g. table top).
- b) Position apron frame of chair to center on Cushion Seat (G) and fit wood dowels on side apron of (AL) and (AR) into the designated holes on the bottom-side of Cushion Seat (G).

STEP 10



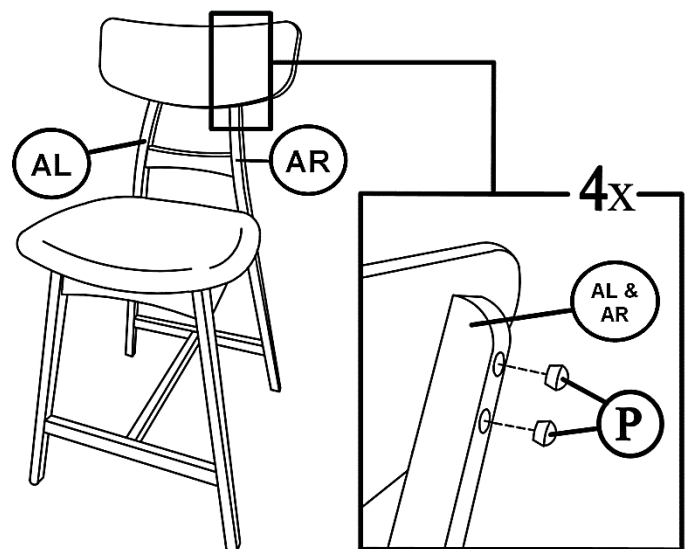
- Use Screw (N) to fasten Cushion Seat (G) to side apron of (AL) and (AR).
Use Screwdriver (not provided) to drive (N).
Do not over-tighten.

STEP 11



- a) Refer to Drawing 11A - Use Screw (N) to fasten Front Stretcher (DF) and Back Stretcher (DB) to Chair Leg (AL) and (AR).
Use Screwdriver (not provided) to drive (N).
Do not over-tighten.
- b) Refer to Drawing 11B - Use Screw (M) to fasten Center Stretcher (E) to Front Stretcher (DF) and Back Stretcher (DB).
Use Screwdriver (not provided) to drive (M).
Do not over-tighten.
- c) Set the chair right-side up.

STEP 12



- Use Wood Button (P) to conceal screw holes on back of Chair Leg (AL) and (AR).
The assembly of the chair is complete.