

# Product Specs Sheets

Cover Page

## Nova 75

### Features

- Bathroom Sink
- Made of Ceramic
- Ceramic White
- With Overflow
- Wall Mount or Countertop (Vessel) Installation
- Available with One, Three (4" or 8" Spread), or No Faucet Hole
- Made in Italy



### Related Items:

- WSBC 53991 | Push Waste Drain
- WSBC 53922 | Decorative Trap

### Finishes:

 Ceramic White


### SKU# | Options:

- Nova 75.00 | No Faucet Hole
- Nova 75.01 | Single Faucet Hole
- Nova 75.03-4 | Three Faucet Holes 4" Spread
- Nova 75.03-8 | Three Faucet Holes 8" Spread

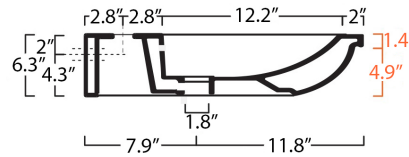
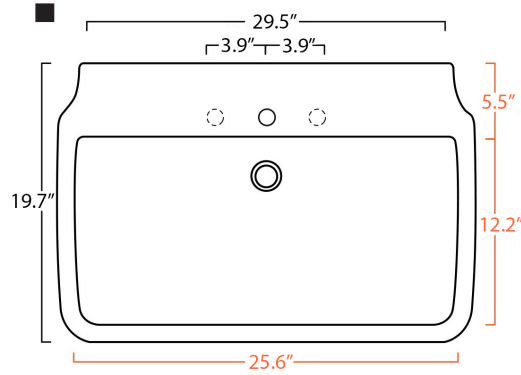
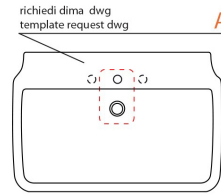
### Codes & Standards:

- ADA Compliant

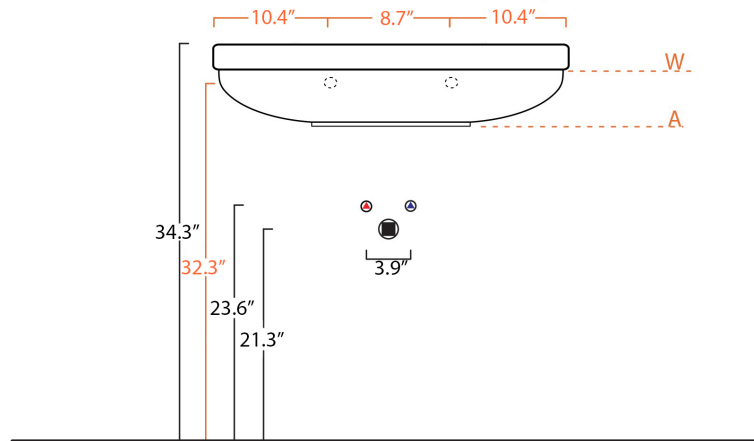
\* WS Bath Collections reserves the right to revise dimensions or information on this sheet without notice

<b>Collection  </b> Nova	<b>Model  </b> Nova 75	Dimensions Metric <i>1 inch = 2.54 cm</i> <i>1 inch = 25.4 mm</i>	 1051 Lea Drive - Collegeville, PA 19426 Tel. 215 513 9400 - Fax 610 831 0215 <a href="http://www.ws bathcollections.com">www.ws bathcollections.com</a> - <a href="mailto:info@ws bathcollections.com">info@ws bathcollections.com</a>
-----------------------------	---------------------------	-------------------------------------------------------------------------	---------------------------------------------------------------------------------------------------------------------------------------------------------------------------------------------------------------------------------------------------------------------------------------------------------------------------------------

- = smaltato perimetralmente all glazed sides
- = non smaltato dietro unglazed behind



- U= sottopiano undercounter
- I = incasso inset
- A = appoggio freestanding
- W= sospeso wall hung



Collection  
Nova

Model |  
Nova 75

Dimensions Metric  
1 inch = 2.54 cm  
1 inch = 25.4 mm

**WS** BATH  
COLLECTIONS

1051 Lea Drive - Collegeville, PA 19426  
Tel. 215 513 9400 - Fax 610 831 0215

[www.ws bathcollections.com](http://www.ws bathcollections.com) - [info@ws bathcollections.com](mailto:info@ws bathcollections.com)

We recommend the following items that work with your sink.

Nova 75

## TRAPS



WSBC 53922  
*Our best seller*

Polished Chrome  
WSBC 53922.29

Matte Black  
WSBC 53922.22



WSBC 5392

Polished Chrome  
WSBC 5392.29



WSBC 53925

Polished Chrome  
WSBC 53925.29



WSBC 53921  
*Space saving*

Polished Chrome  
WSBC 53921.29

Matte Black  
WSBC 53921.22

## DRAINS



WSBC 53991  
Push waste drain (click clack)  
*with overflow*

Polished Chrome  
WSBC 53991.29

Glossy White  
WSBC 53991.09

Glossy Black  
WSBC 53991.18

Matte White  
WSBC 53991.26

Matte Black  
WSBC 53991.22

## MOUNTING HARDWARE

### Wall-mount installation

### Vessel/ countertop installation



Bolts



Silicone (optional)

Collection  
Nova

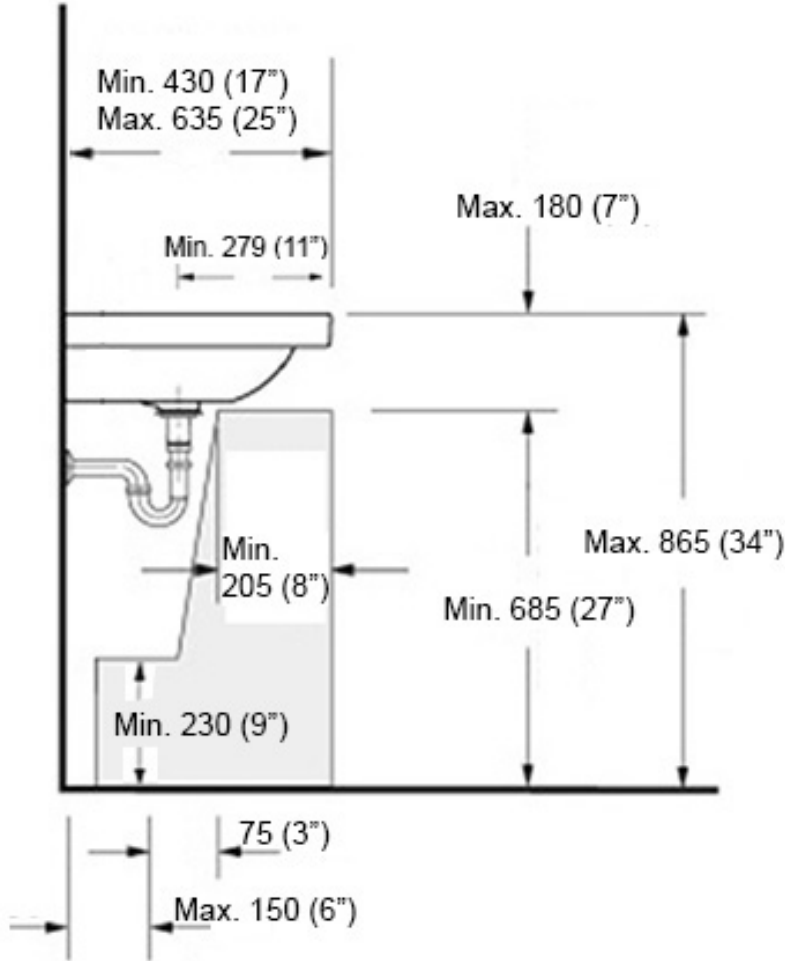
Model |  
Nova 75

Dimensions Metric  
*1 inch = 2.54 cm*  
*1 inch = 25.4 mm*

**WS**®  
**BATH**  
**COLLECTIONS**

1051 Lea Drive - Collegeville, PA 19426  
Tel. 215 513 9400 - Fax 610 831 0215  
[www.ws bathcollections.com](http://www.ws bathcollections.com) - [info@ws bathcollections.com](mailto:info@ws bathcollections.com)

**Recommended ADA Installation**



Note: ADA Compliant when installed in accordance with ADA guidelines

<p><b>Collection</b> Nova</p>	<p><b>Model  </b> Nova 75</p>	<p>Dimensions Metric 1 inch = 2.54 cm 1 inch = 25.4 mm</p>	<p><b>WS<sup>®</sup></b> BATH COLLECTIONS 1051 Lea Drive - Collegeville, PA 19426 Tel. 215 513 9400 - Fax 610 831 0215 <a href="http://www.ws bathcollections.com">www.ws bathcollections.com</a> - <a href="mailto:info@ws bathcollections.com">info@ws bathcollections.com</a></p>
-----------------------------------	-----------------------------------	--------------------------------------------------------------------	--------------------------------------------------------------------------------------------------------------------------------------------------------------------------------------------------------------------------------------------------------------------------------------------------