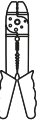
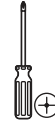


ASSEMBLY INSTRUCTIONS



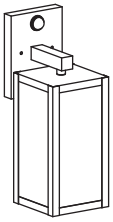
- Inspect the wire insulation for any cuts, abrasions or exposed copper that may have resulted during shipping. If there is a defect in the wire, do not attempt installation.
- Before starting installation of this fixture or removal of a previous fixture, disconnect the power by turning off the circuit breaker or by removing the fuse at the fuse box.

TOOLS REQUIRED

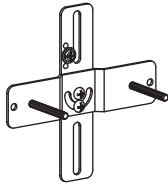


* PARTS SHOWN MAY DIFFER SLIGHTLY PER LIGHT FIXTURE

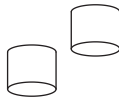
HARDWARE INCLUDED



Fixture



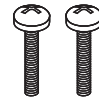
Mounting Unit



Ball Nuts



Rubber Rings

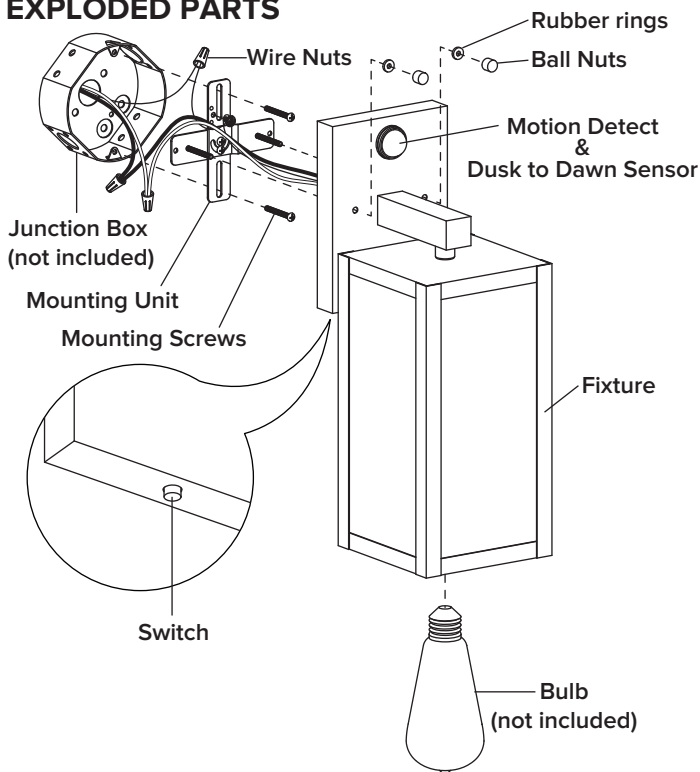


Mounting Screws



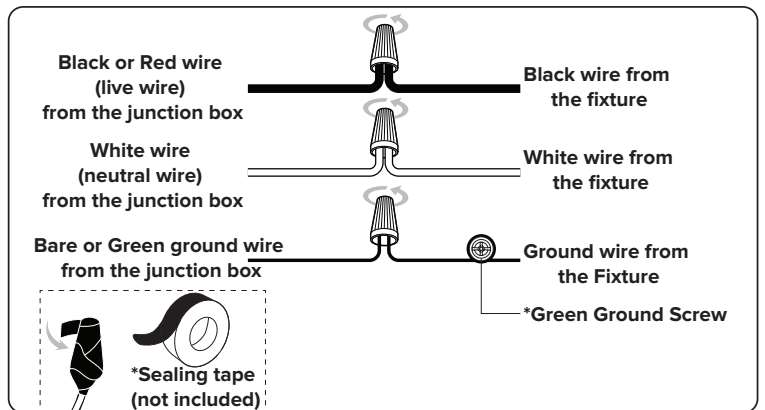
Wire Nuts

EXPLODED PARTS



STEP 2

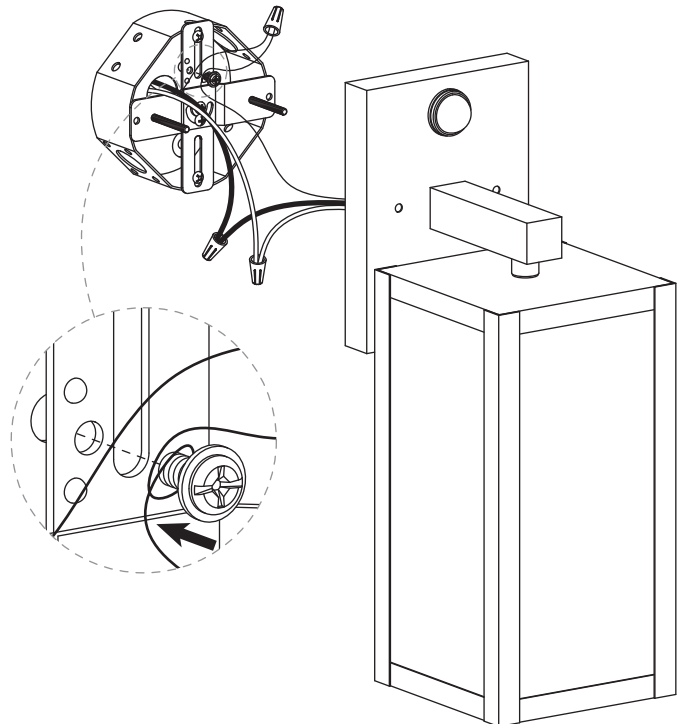
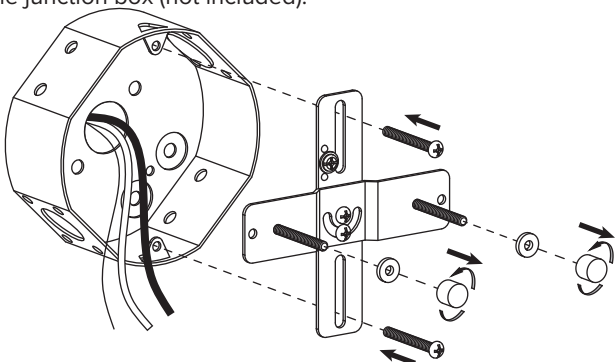
Make the electrical connection from the junction box (not included) to the **fixture**. Connect the ground wire to the **mounting unit** using the preinstalled green ground screw. Next, connect the live wire, neutral wire and ground wires with the supplied **wire nuts**. Secure with electrical tape.



INSTALLATION

STEP 1

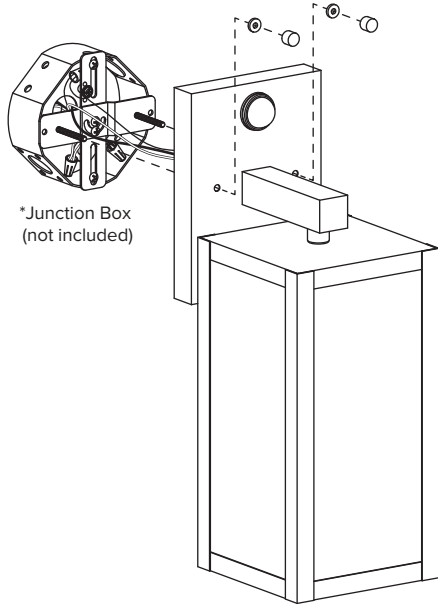
Unscrew the **rubber rings** and **ball nuts** from the **mounting unit**. Use the **mounting screws** to attach the **mounting unit** to the junction box (not included).



STEP 3

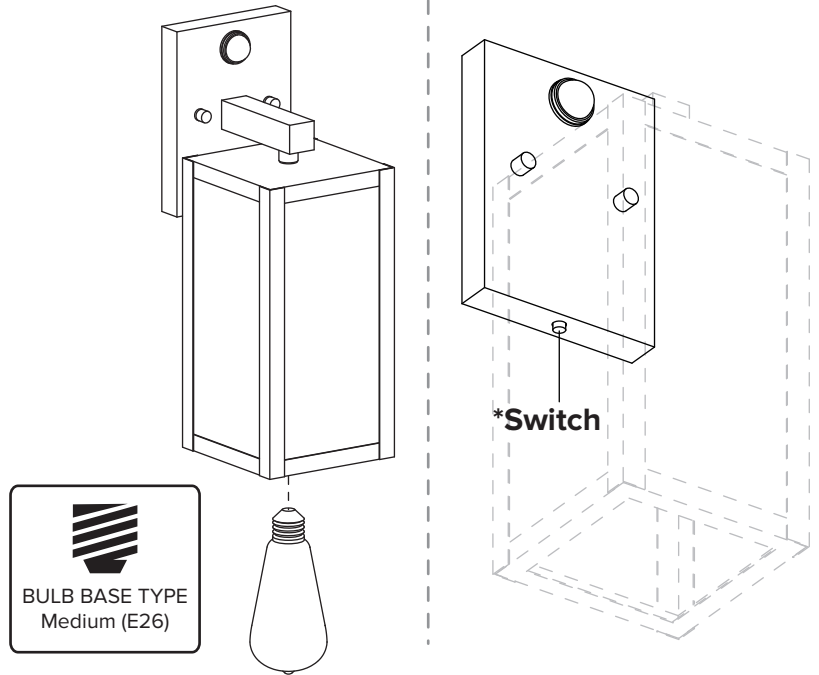
Attach the **fixture** to the **mounting unit** through screw holes as shown, and secure it with **rubber rings** and **ball nuts**.

NOTICE: Please use caulk in the back plate and wall mounting surface to prevent water from entering.



STEP 4

1. Install bulb (not included).
2. Select motion sensor mode by the switch.



BASIC FUNCTION

- ◆ There will be **10** seconds of warm-up time after the product was powered on for the first time.
- ◆ This product does not light up during the daytime. When human activity was detected in the evening (ambient light ≤ 40 LUX), the light will be turned on. It will be off in a minute after the human body left the detection area.

ELECTRICAL PARAMETER

- ◆ Rated voltage: **120VAC/60Hz**.
- ◆ Load Rating : Max.**60W** Incandescent bulb or Max.**20W** LED light bulb.

DETECTION RANGE

- ◆ Sensor at full performance: **5ft-7ft** tall above the ground.
- ◆ Detection Angle Range: **110°**.
- ◆ Detection distance is MAX. **26.2ft (8 meters)**.
- ◆ Operating temperature range: **10°F-110°F**.

SWITCHING FUNCTIONS

- ◆ When **press up** the button, motion detect mode will be turned on; When **press down** the button, motion detect mode will be turned off. Dusk to Dawn mode can not be turned off.

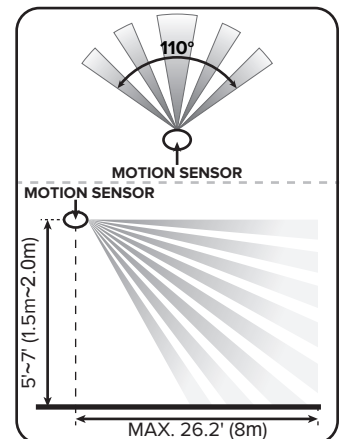
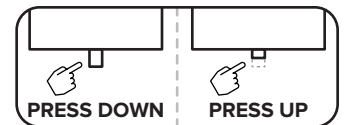
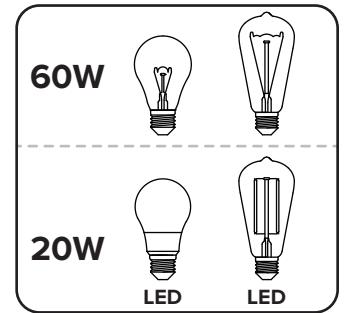
CAUTION

- ◆ Mounting the fixture above **7ft** or more may decrease the sensor's performance.
- ◆ Mounting the fixture in front of a sloped surface, such as an uphill Walkway, driveway, may decrease the sensor's performance.
- ◆ Walking outer the **110°**range may cause less sensitive on sensor.
- ◆ Selecting locations near heat sources, such as heating vents, air conditioners, and heated swimming pools and hot tub may confuse sensor's accuracy rate.
- ◆ Selecting locations away from night time light sources, such as street lamps or other light fixtures. They may shine light into the fixture's dusk to dawn causing confusion between daytime and nighttime.
- ◆ Selecting locations in daytime shadow area from any object may cause sensor confused between daytime and nighttime.
- ◆ The detection range of the sensor should not be blocked by any objects.
- ◆ **It has no dimmable function. It works for standard direct connection of input voltage only.**

ADDITIONAL NOTE

- ◆ Keep the surface of the PIR MOTION SENSOR clean to ensure proper operation.

TROUBLESHOOTING



PROBLEMS

Bulb don't light on.

POSSIBLE REASONS

1. Wall switch or circuit breaker was off.
2. Light bulb may be dead.
3. Light bulb is loose.
4. Incorrect or loose wire connections.
5. Power is off.

SOLUTIONS

1. Turn on switch or circuit breaker.
2. Test the light bulb in a known working lighting fixture. Replacing bulb if necessary.
3. Tighten the light bulb in socket.
4. Check the wire connections.
5. Ensure power supply is on.

The light does not turn on when there is motion from people or any other objects.

1. Too much sunlight is shining onto sensor in the early evening.
2. Too much light is shining onto sensor from other light source, such as a street lamp or other lighting fixtures.
3. Moving persons or other moving objects are below the view of the motion sensor.

1. Relocate fixture away from a west direction.
2. Eliminate or turn on other light source.
 - Block other light source from shining onto sensor.
 - Relocate fixture.
3. Relocate fixture to a lower position or to a different location.

The light is on for no apparent reasons.

1. Street or sidewalk traffic is triggering the motion sensor.
2. False triggering caused by a heat source, such as a heater or dryer vent, or heated swimming pool, hottup.

1. Relocate fixture to a different location.
2. Eliminate heat source.
 - Relocate lighting fixture.