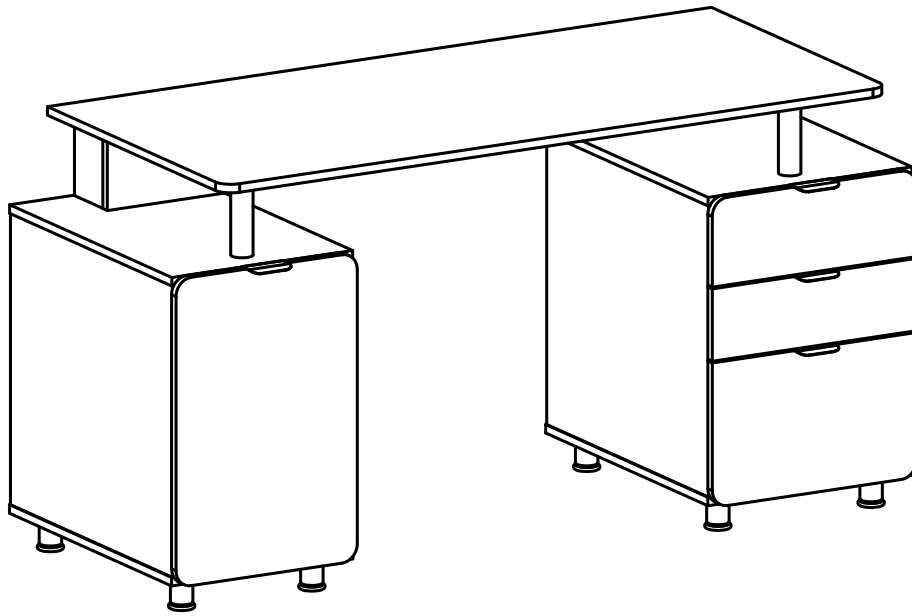
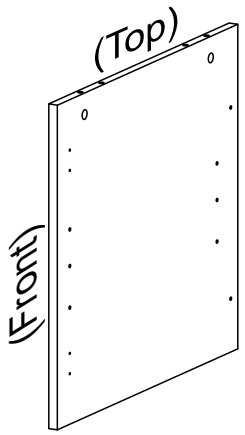
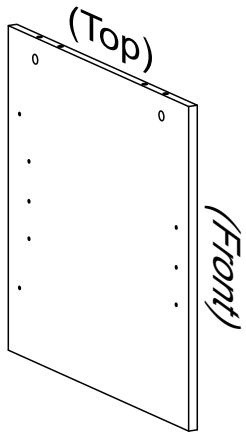
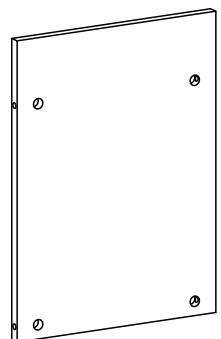
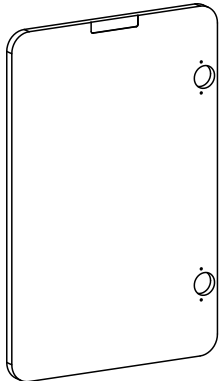
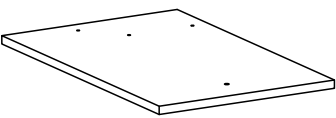
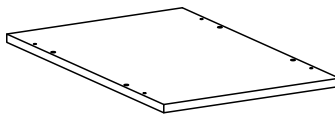
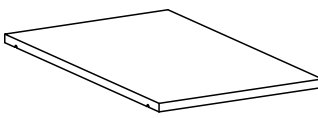
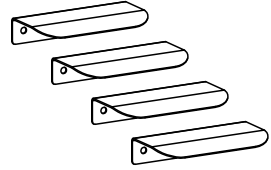
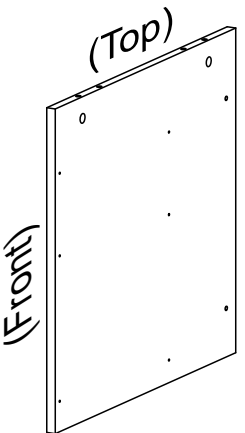
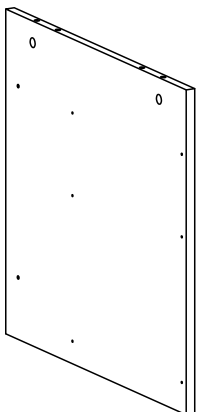
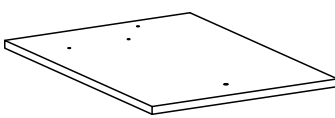
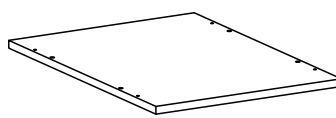
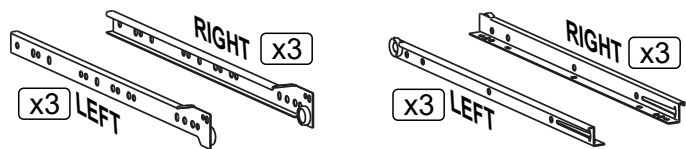


## ASSEMBLY INSTRUCTIONS

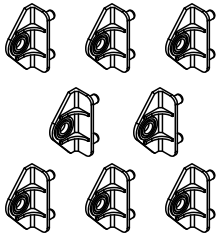


**MAIN PARTS LIST**

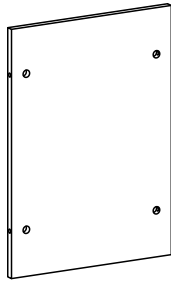
<p><b>#1</b> Left side exterior</p> 	<p><b>#2</b> Left side middle</p> 	<p><b>#3</b> Back left</p> 	<p><b>#4</b> Door</p> 
<p><b>#5</b> Left cabinet top</p> 	<p><b>#6</b> Left cabinet bottom</p> 	<p><b>#7</b> Right cabinet bottom</p> 	<p><b>#8</b> Handles x4</p> 
<p><b>#9</b> Right side middle</p> 	<p><b>#10</b> Right side exterior</p> 	<p><b>#11</b> Right cabinet top</p> 	<p><b>#12</b> Right cabinet bottom</p> 
<p><b>#13</b> Drawer metal sliders, 3 sets of 4 pcs each set</p>  <p>"FLAT": 2 pcs per set, go inside the cabinet</p> <p>"L shape": 2 pcs per set, go on the drawers</p>			

**MAIN PARTS LIST**

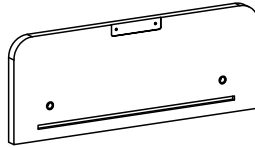
**#14 Connectors**  
x8



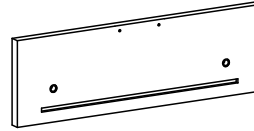
**#15 Back left**



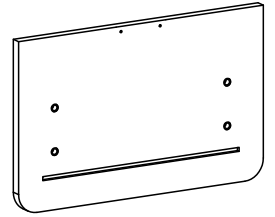
**#16 Drawer top front**



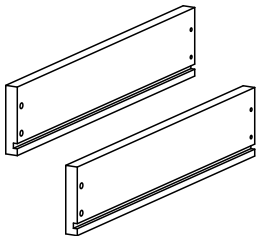
**#17 Drawer middle front**



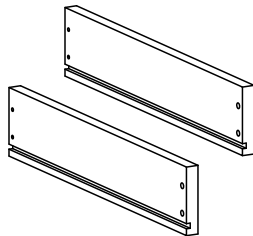
**#18 Drawer bottom front**



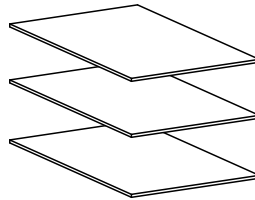
**#19 Small drawers left**  
x2



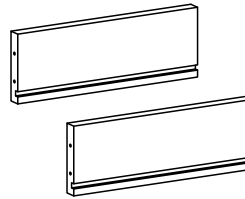
**#20 Small drawers right**  
x2



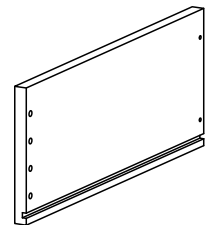
**#21 All drawers bottom**  
x3



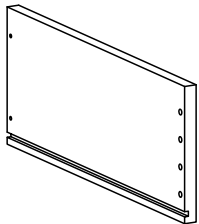
**#22 Small drawers back**  
x2



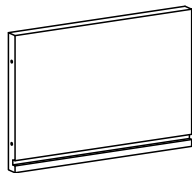
**#23 Large drawer left**



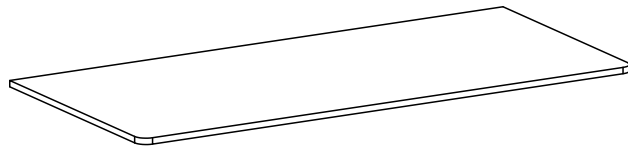
**#24 Large drawer right**



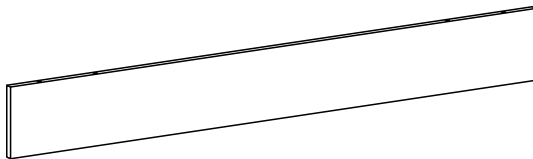
**#25 Large drawer back**



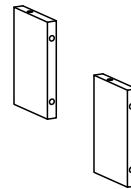
**#26 Tabletop**



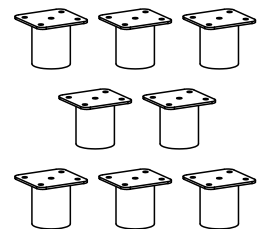
**#27 Upper back support**



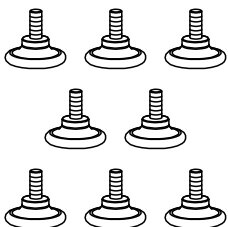
**#28 Side supports**  
x2



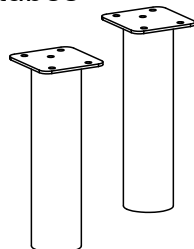
**#29 Metal feet**  
x8



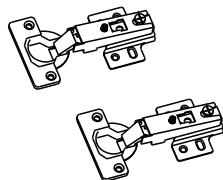
**#30 Glide stud**  
x8



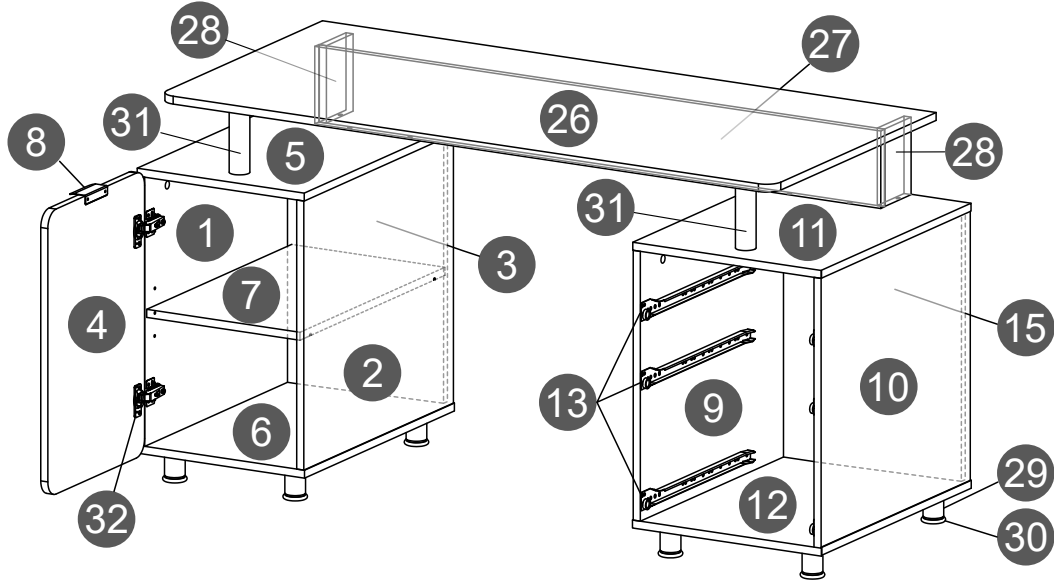
**#31 Metal support tubes**  
x2



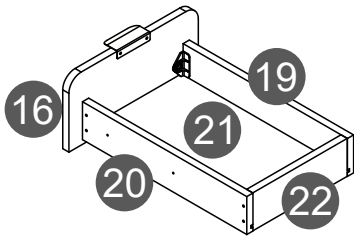
**#32 Hinges**  
x2



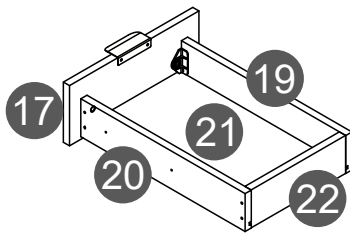
**MAIN PARTS LAYOUT (For reference)**



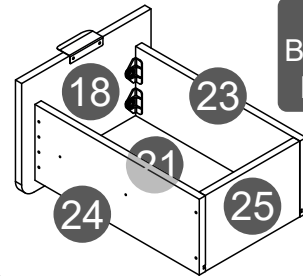
Small TOP Drawer



Small MIDDLE Drawer



Large BOTTOM Drawer



Hardware		
Piece No.	Description	Quantity
A	M6x40	32
B	M6x12	8
C	M6x30	2
D	M4x35	12
E	M5x40	8
F	M4x16	6

Hardware		
Piece No.	Description	Quantity
G	M4x14	40
H	M3x15	40
I	M3x12	8
J	Ø5x17	4
K	M8x30	16
L	Ø15mm	32

Tools (included)

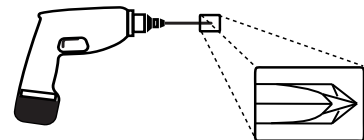


Tools (Not included)

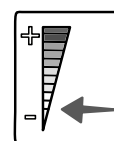


If you decide to use a power driver:

- Make sure to have the appropriate Phillips bit.



- Start using at a low power or speed to avoid stripping the screws.



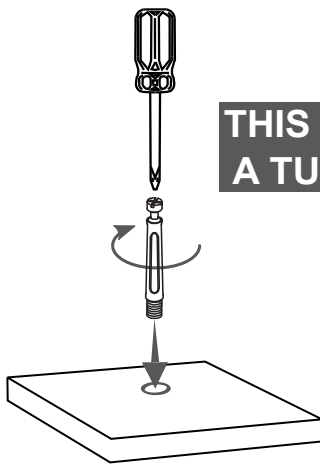
## THE ASSEMBLY STEPS START ON NEXT PAGE

### CAM BOLT AND CAM LOCK TUTORIAL THE INSTRUCTIONS BELOW ARE NOT ACTUAL ASSEMBLY STEPS



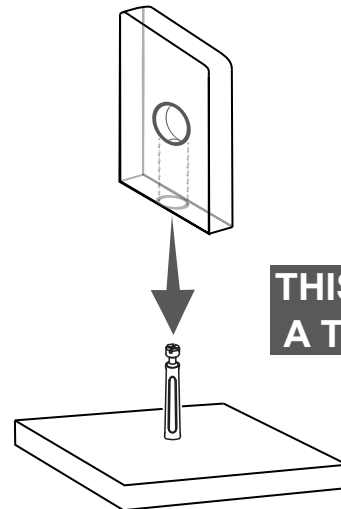
This unit uses cam bolts and locks (also known as mini fixes). If you are not familiar with this kind of hardware, the below is a tutorial that explains how to use them on the steps where they are required.

1. Screw the bolt into the indicated hole on the panel indicated in the assembly step.



**THIS IS ONLY  
A TUTORIAL**

2. Join the other panel (with the big hole) to the panel with the bolt. If it comes with the cam locks already pre-installed, make sure to align them to receive the bolt's head (refer to point 3). There might be a very small gap between the panels which is normal.

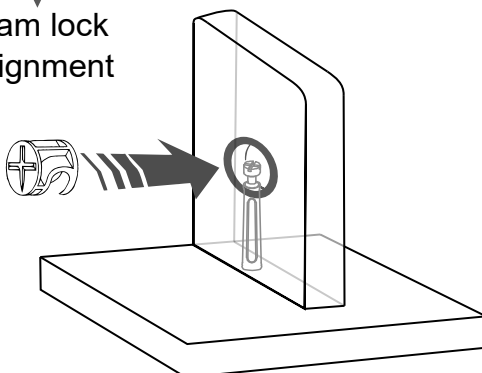


**THIS IS ONLY  
A TUTORIAL**

3. Insert the cam lock on the panel with the big hole making sure it goes aligned to receive the bolt's head.



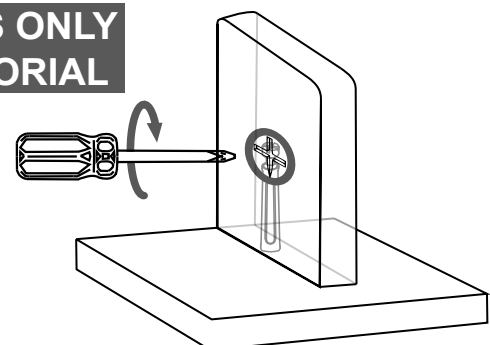
Cam lock alignment



**THIS IS ONLY  
A TUTORIAL**

4. Use a Phillips screwdriver to turn the cam lock clockwise. This will lock the panels together and also will close any gaps.

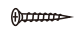

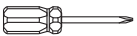

**THIS IS ONLY  
A TUTORIAL**



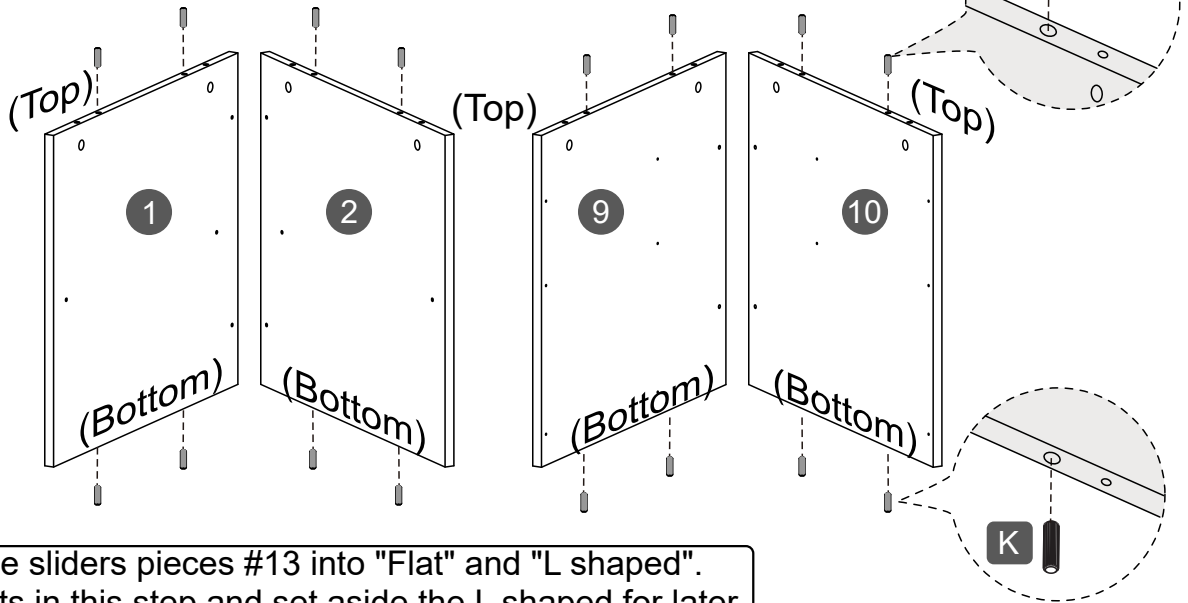
**ASSEMBLY STEPS**

**WE RECOMMEND TO PLACE THE PIECES OVER BLANKETS OR TABLECLOTHS TO PROTECT THEIR FINISH DURING ASSEMBLY.**

**STEP 1**

H	 M3x15	12
K	 M8x30	16
 <b>+</b>		
		

1st: Attach K into the indicated holes on #1, #2, #9 and #10.



2nd: Sort the sliders pieces #13 into "Flat" and "L shaped". Use the Flats in this step and set aside the L shaped for later.

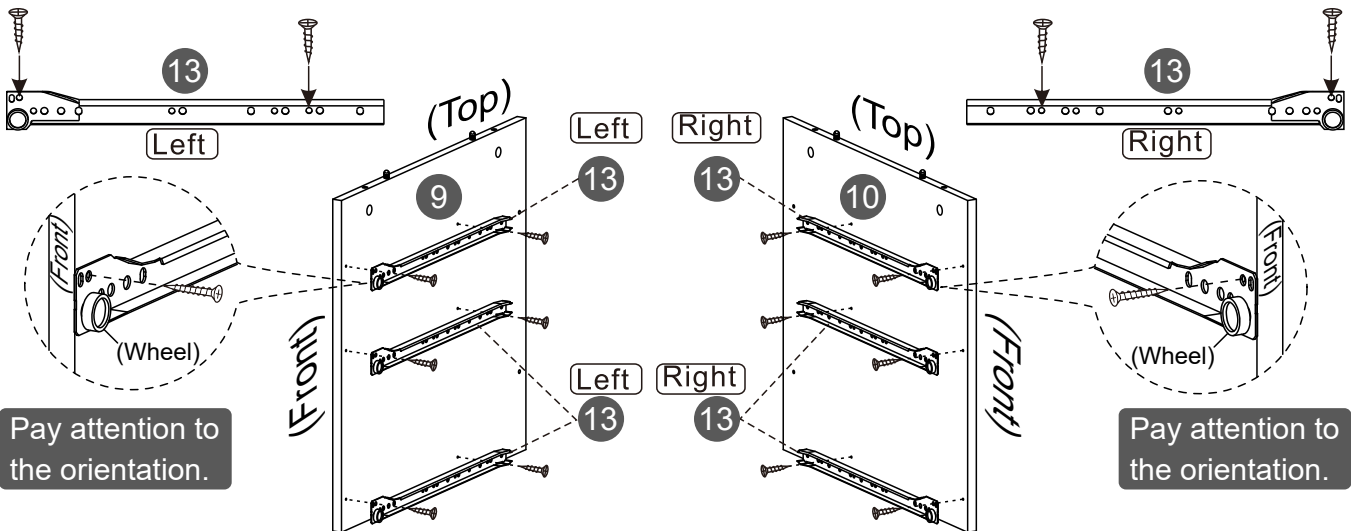
**13 "Flat"**

The "Flat" pieces will be used in this step.

**13 "L" Shaped**

The "L" shaped pieces won't be used until later on, so please set them aside.

3rd: Use H to attach the "Flat" sliders #13 to #9 and #10 as shown.



**STEP 2**

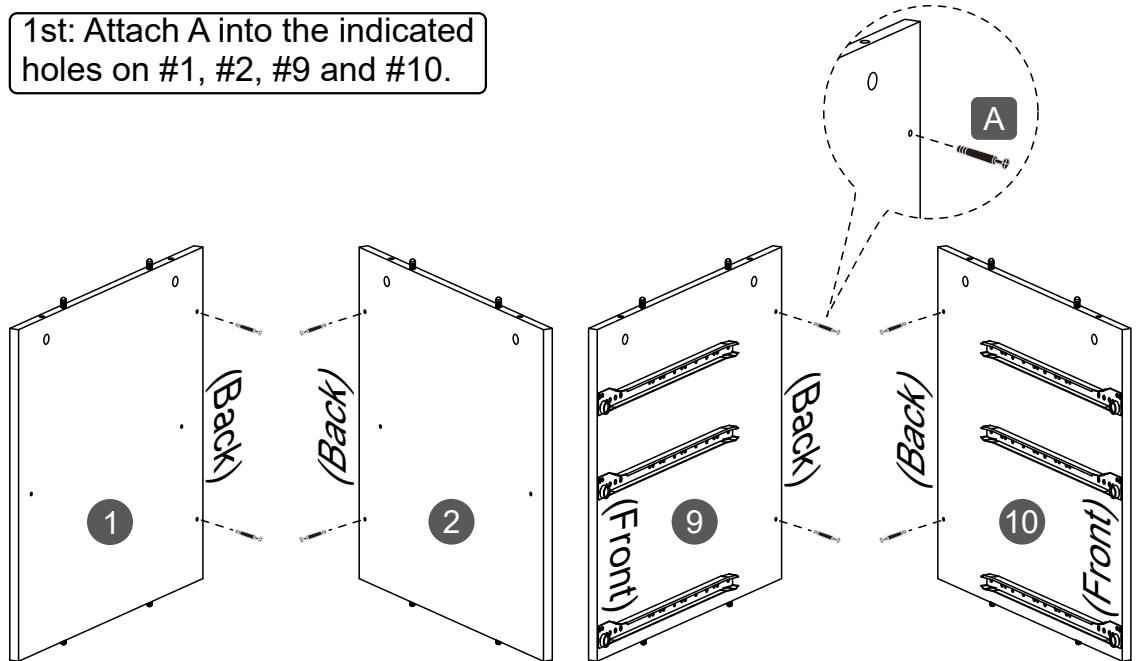
This step requires 2 people



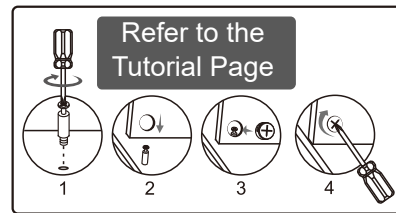
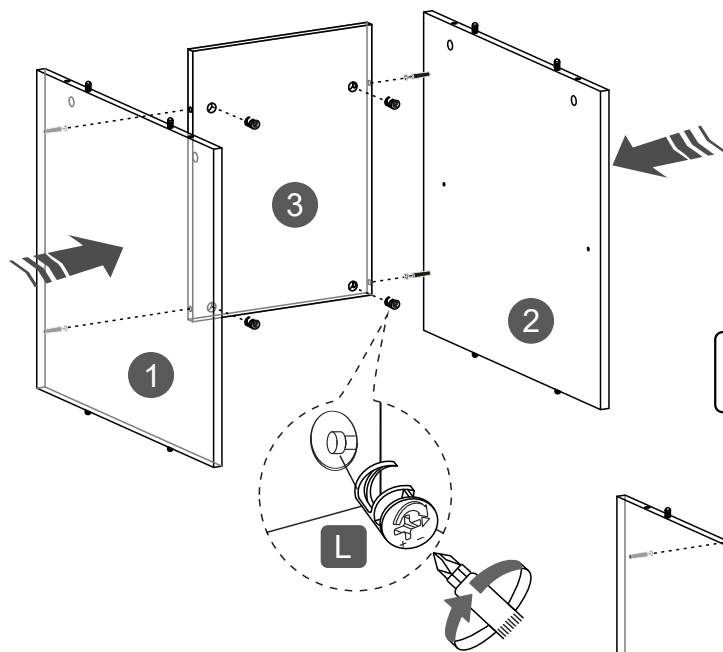
A	M6x40	8
L	Ø15mm	8



1st: Attach A into the indicated holes on #1, #2, #9 and #10.

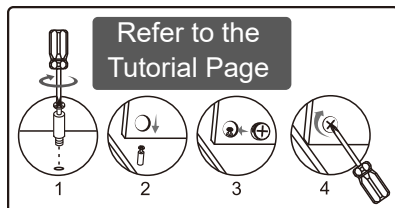
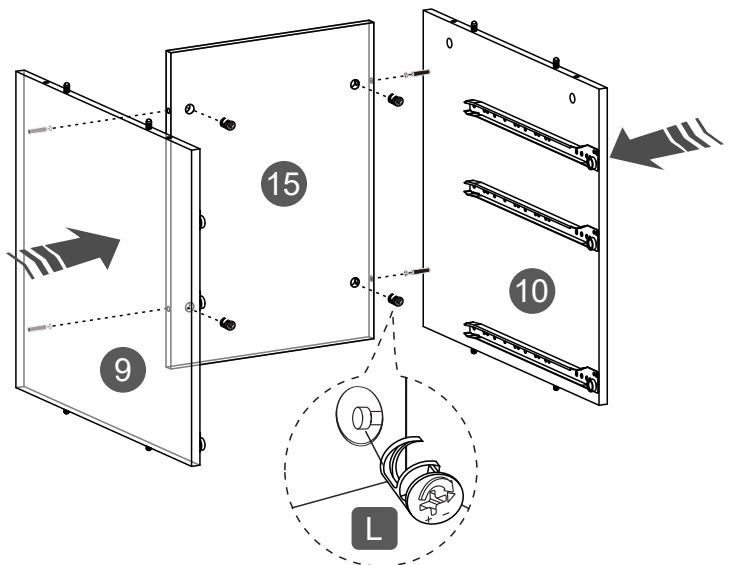


2nd: Use L to assemble #1, #2 and #3 as shown.




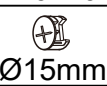

Refer to the Tutorial Page

3rd: Use L to assemble #9, #10 and #15 as shown.

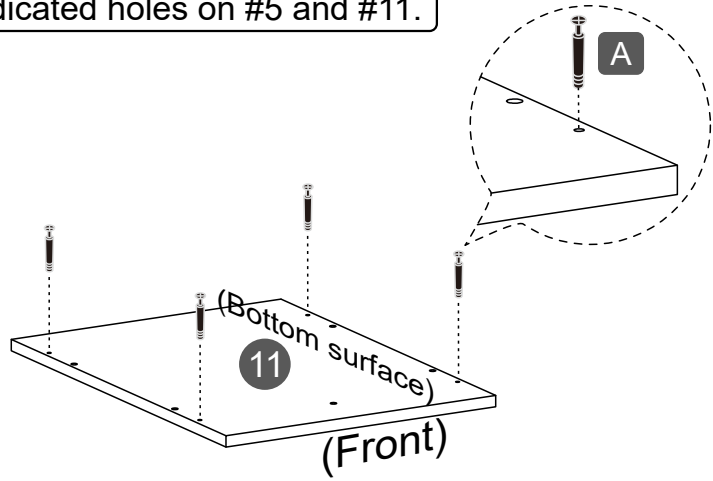
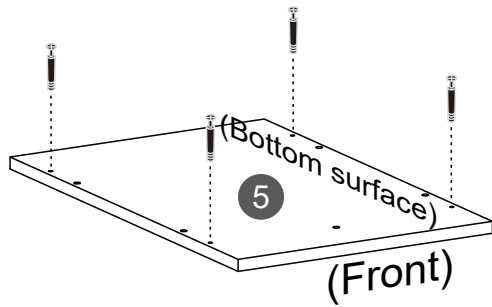


Refer to the Tutorial Page

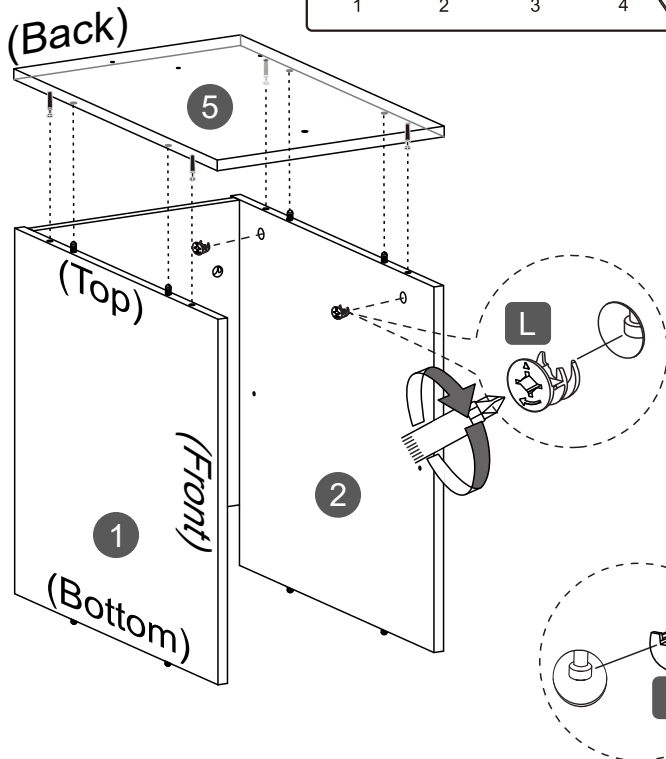
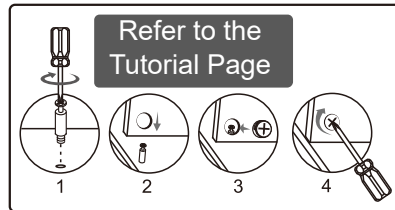
**STEP 3**

A	 M6x40	8
L	 Ø15mm	8
 +		

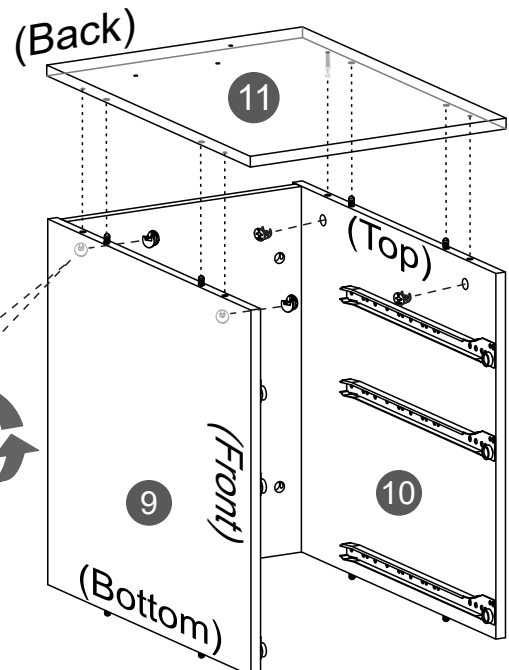
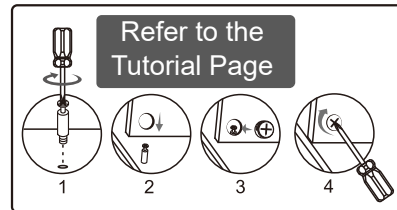
1st: Attach A into the indicated holes on #5 and #11.



2nd: Use L to assemble #1, #2 and #5 as shown.





3rd: Use L to assemble #9, #10 and #11 as shown.



### STEP 4

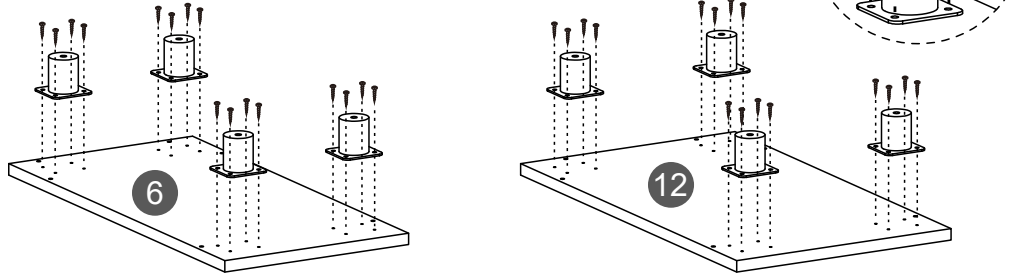
This step requires 2 people



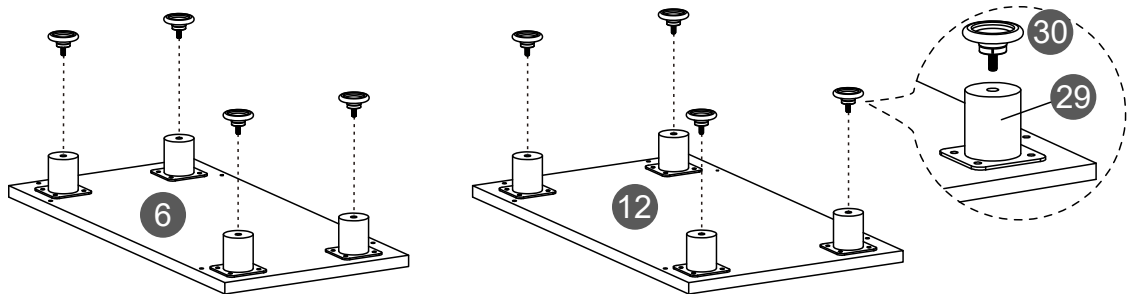
E	 M5x40	8
G	 M4x14	32



1st: Use G to attach the feet #29 to the base panels #6 and #12.

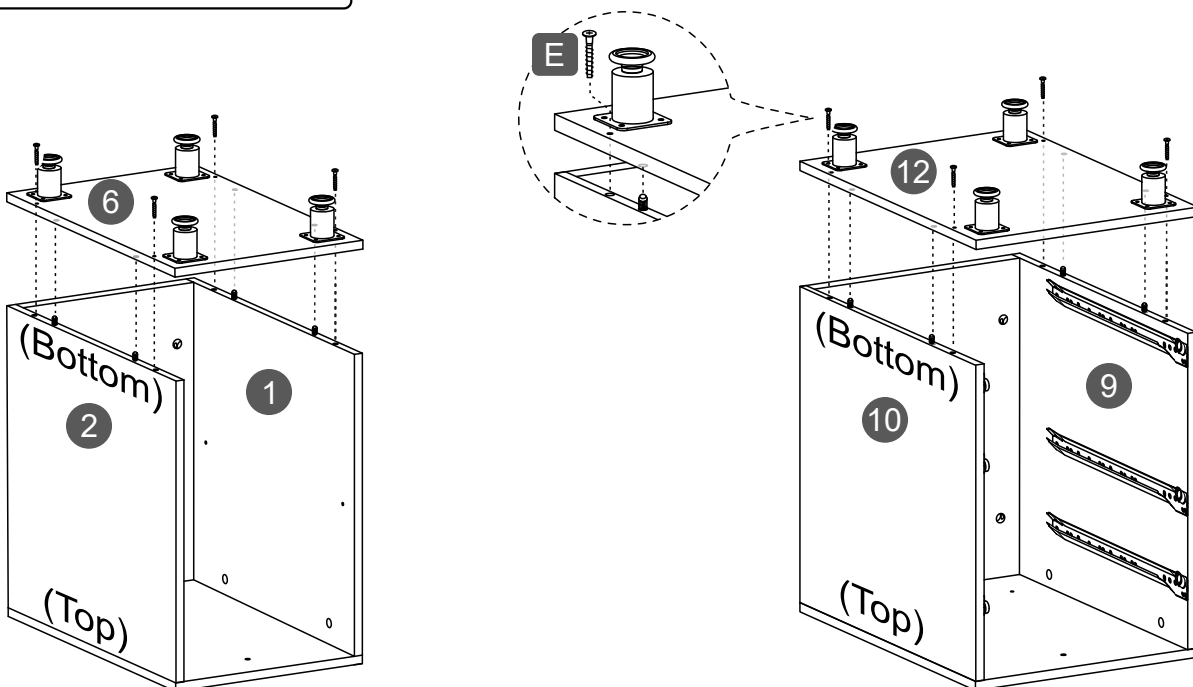


2nd: Attach #30 to #29. You can adjust the leveling of the unit later by adjusting these glides.



3rd: Use screws E to join:

- #6 to #1 and #2;
- #12 to #9 and #10.



**STEP 5**

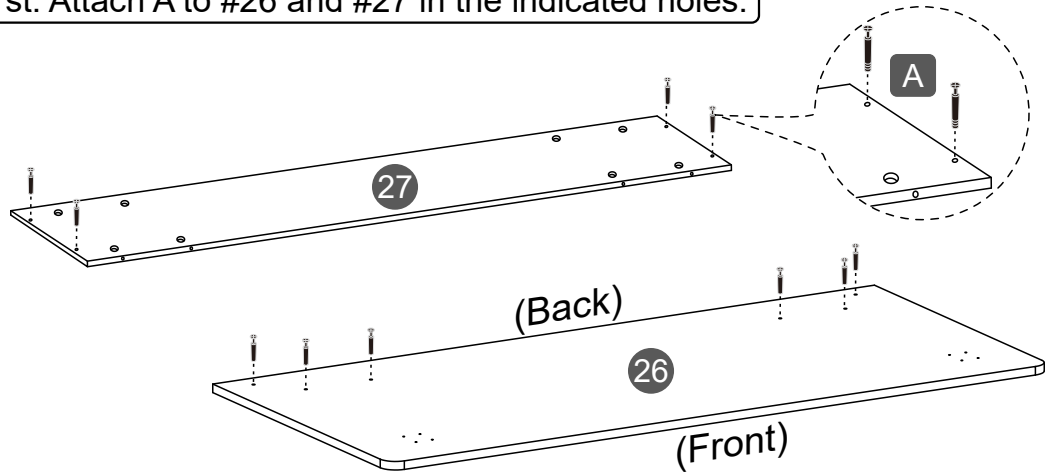
This step requires 2 people



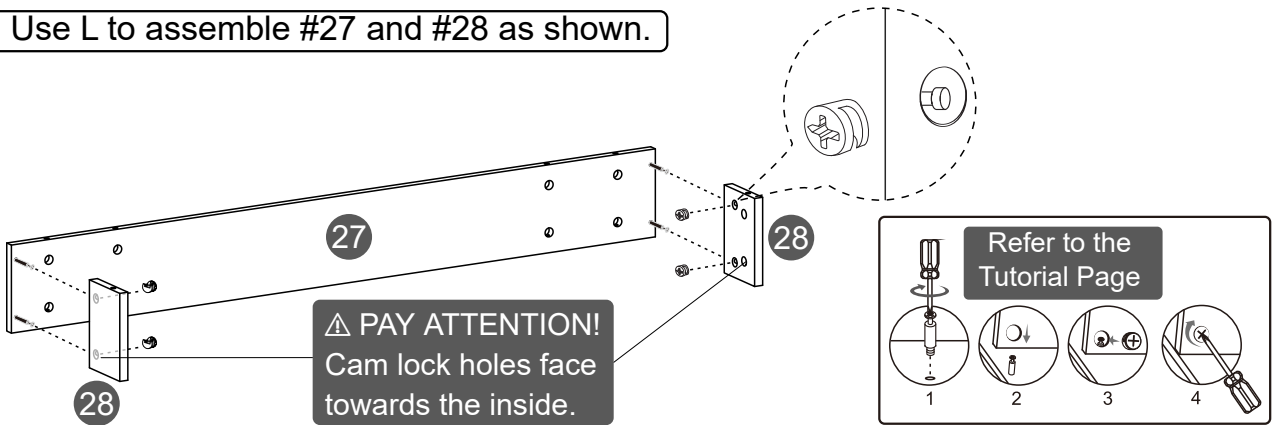
<b>A</b>	M6x40	10
<b>L</b>	Ø15mm	10
<b>G</b>	M4x14	8



1st: Attach A to #26 and #27 in the indicated holes.

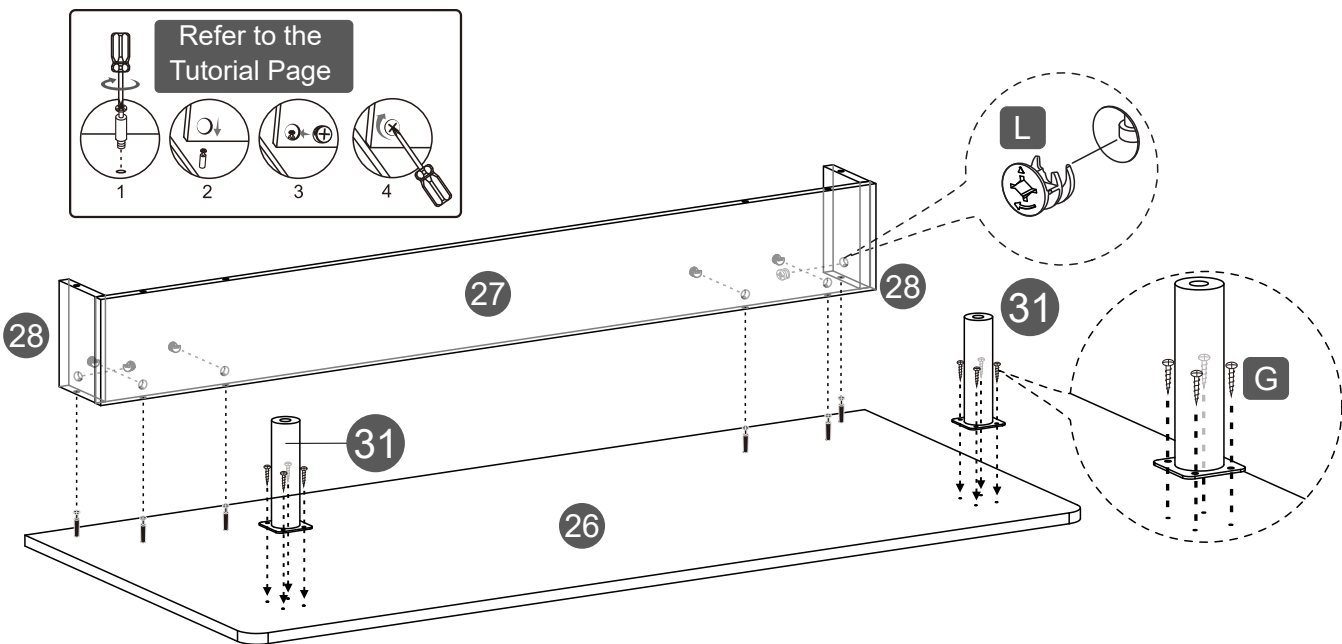


2nd: Use L to assemble #27 and #28 as shown.



3rd:

- Use L to assemble #26, #27 and #28 as shown.
- Use G to attach #31 to #26.



### STEP 6

This step requires 2 people

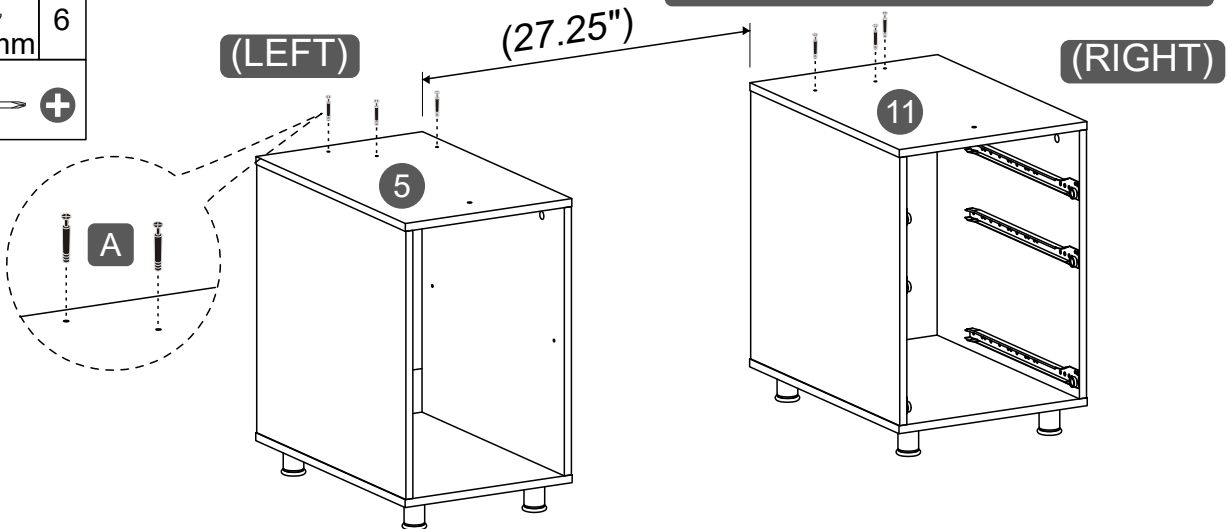


A	M6x40	6
C	M6x30	2
L	Ø15mm	6

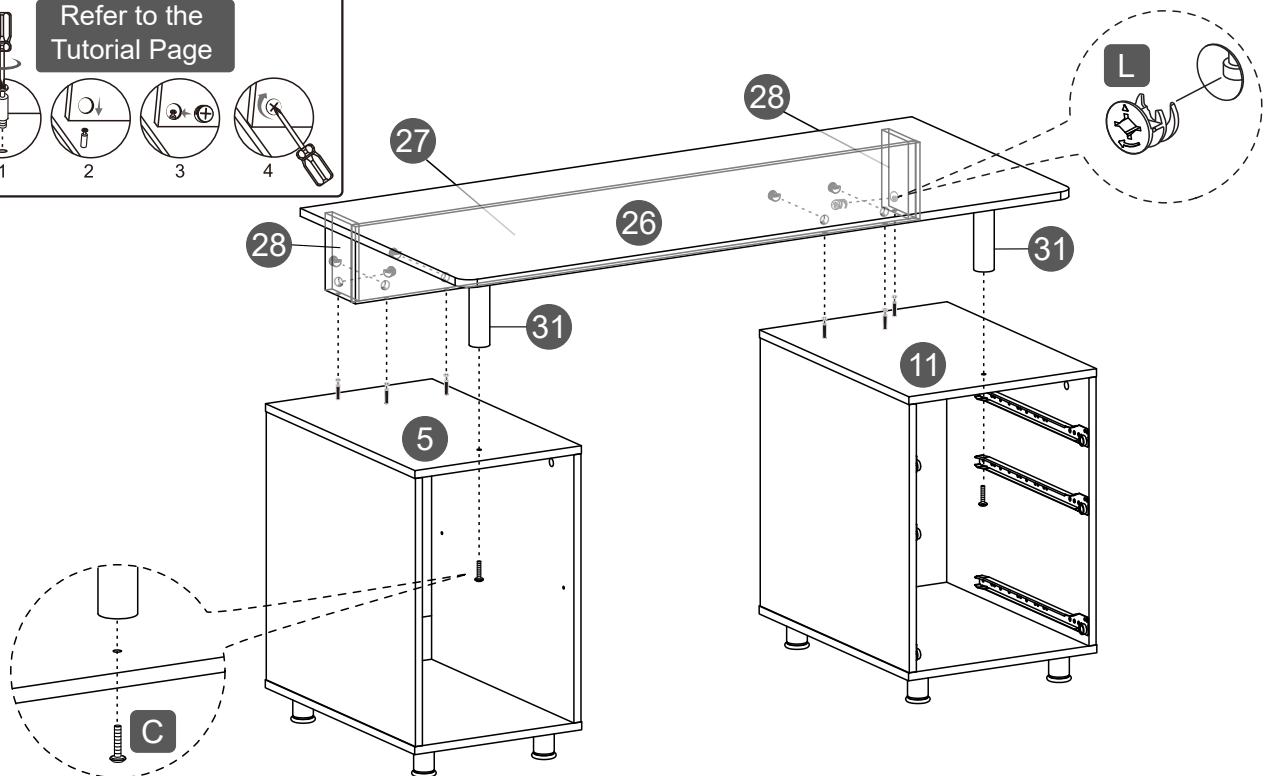
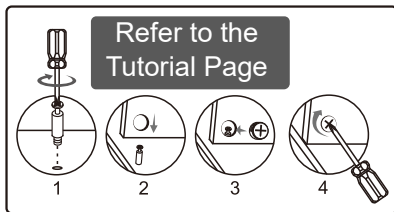


- 1st:
- Place the cabinets side by side at about 27.25" from each other, and with the drawers' cabinet on the RIGHT.
  - Attach A into the indicated holes on #5 and #11.

**⚠ PAY ATTENTION!**  
Cabinet with sliders on the RIGHT side.



- 2nd:
- Carefully place the top frame over the cabinets.
  - Use L to assemble #5, #11, #27 and #28 as shown.
  - Use C to secure #31 to #5 and #11.



**STEP 7**

This step requires 2 people

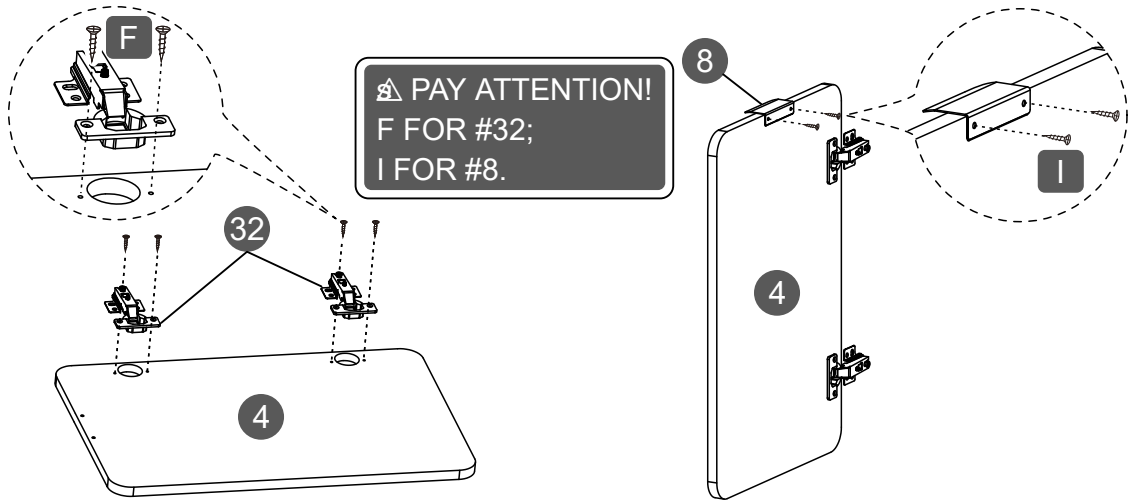


F	M4x16	8
I	M3x12	2

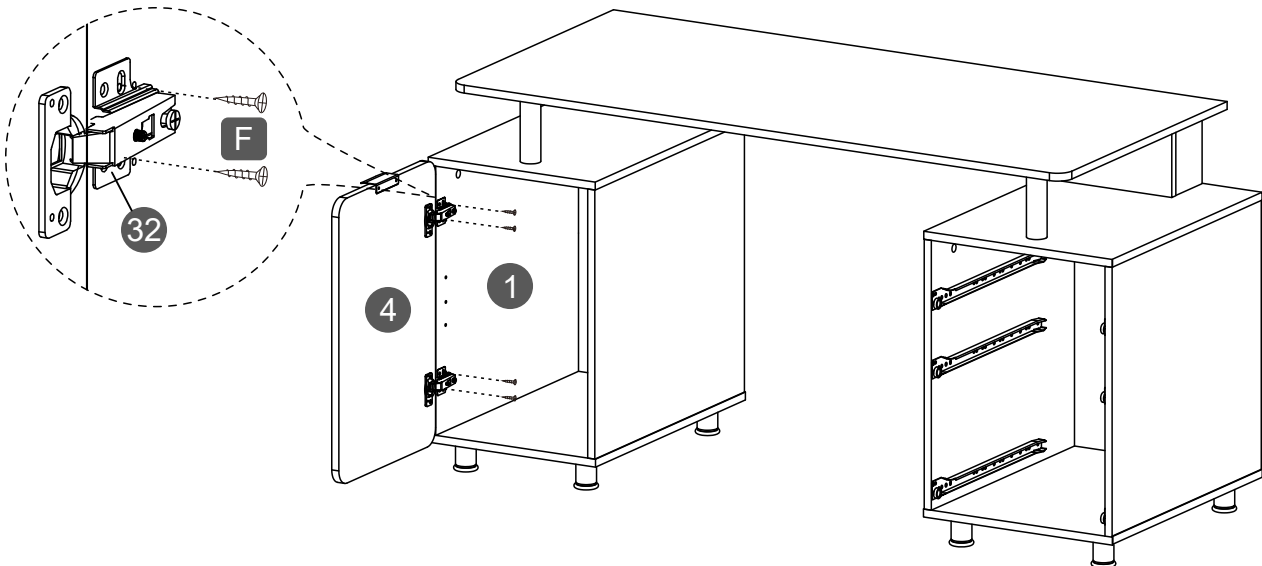


1st: Use F to attach #32 to #4.

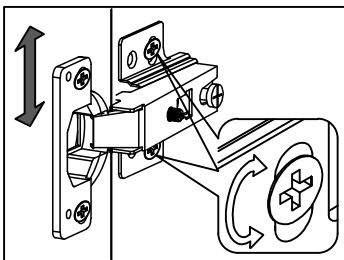
2nd: Use I to attach #8 to #4.



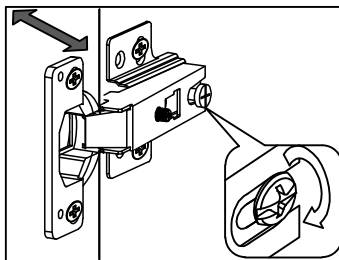
3rd: Use F to attach the hinges #32 from the door to the left side panel #1 in the indicated holes.



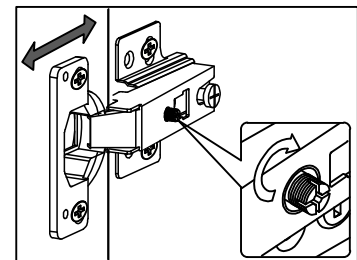
4th: Adjust and level the door



To adjust the height, loosen up these screws, align, then re-tighten



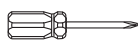


To adjust the depth, loosen up this screw, align, then re-tighten

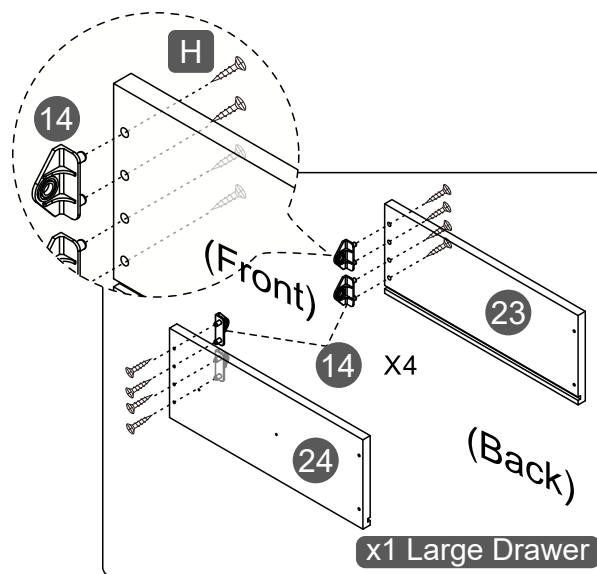
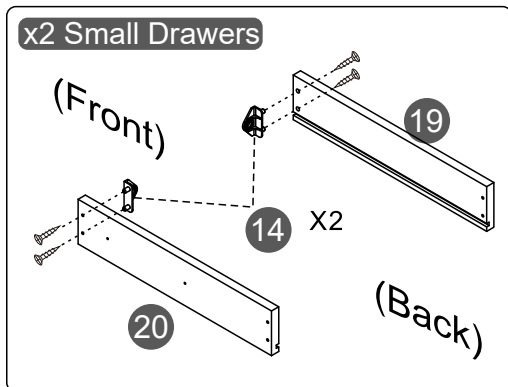


To adjust side-to-side, loosen up or tighten this screw.

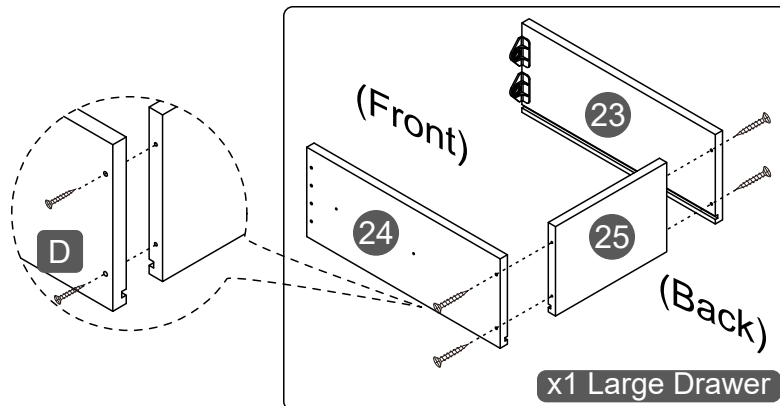
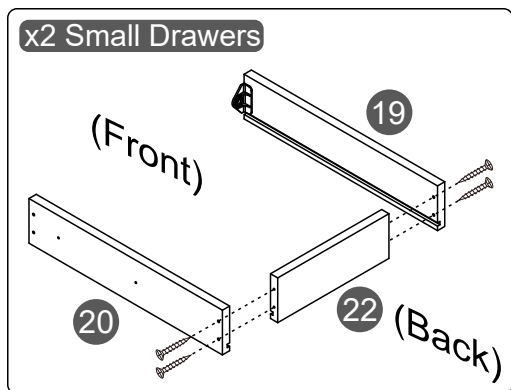
**STEP 8**

D	 M4x35	12
H	 M3x15	16
 +		

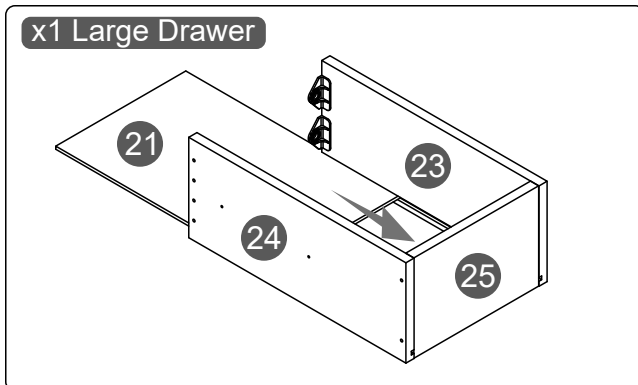
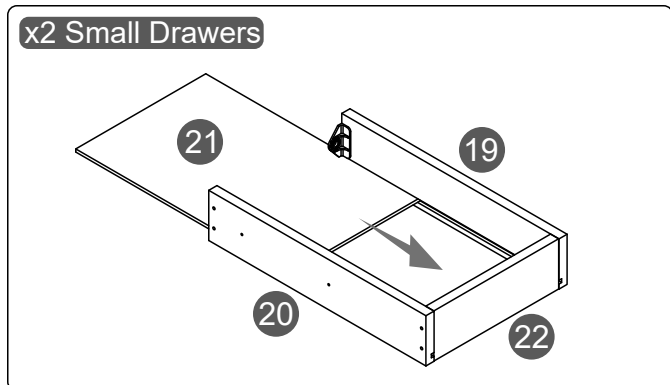
1st: Use H to attach the drawer connectors #14 to all the side panels #19, #20, #23 and #24 as shown.





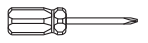
2nd: Use D to assemble:  
 • #22 to #19 and #20.  
 • #25 to #23 and #24.



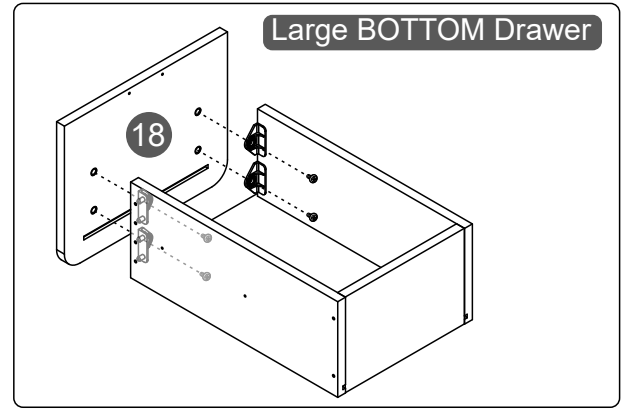
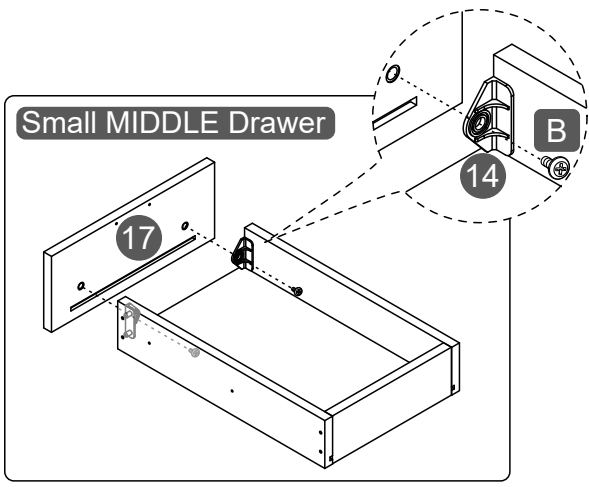
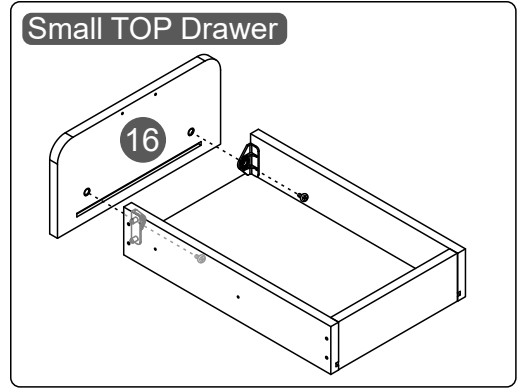
3rd: Slide #21 through the grooves of the side panels and into the groove of the front panels in all the drawers respectively.



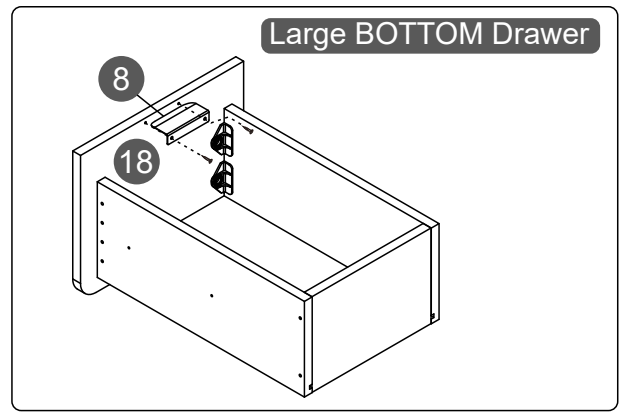
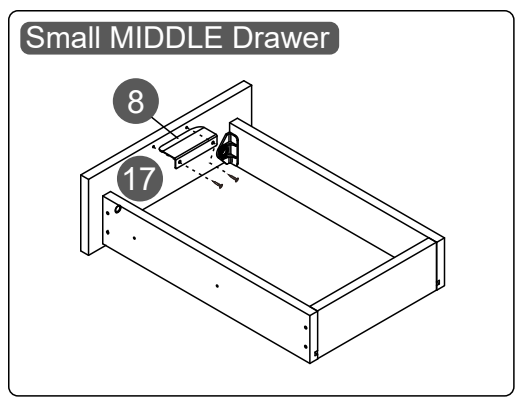
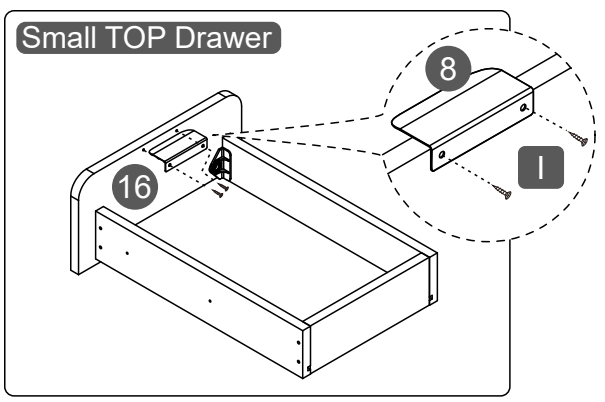
**STEP 9**

<b>B</b>	 M6x12	8
<b>I</b>	 M3x12	6
 <b>+</b>		



1st: For each of the 3 drawers respectively, use B to assemble their front panels (#16/#17/#18) to the connectors #14 as shown.



2nd: Use I to attach the handles #8 to each of the drawers' front panels, respectively.



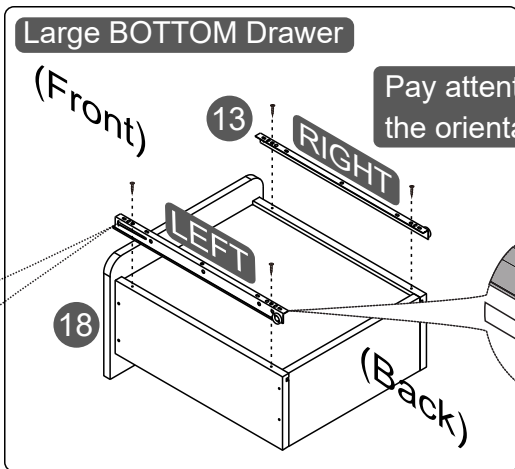
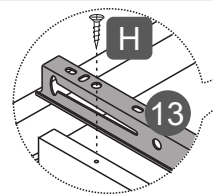
**STEP 10**

H	 M3x15	12
J	 Ø5x17	4

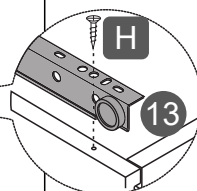


1st: For each of the 3 drawers, use H to attach the "L" shaped sliders #13 at the bottom and in their respective sides.

Pay attention to the orientation.



Pay attention to the orientation.



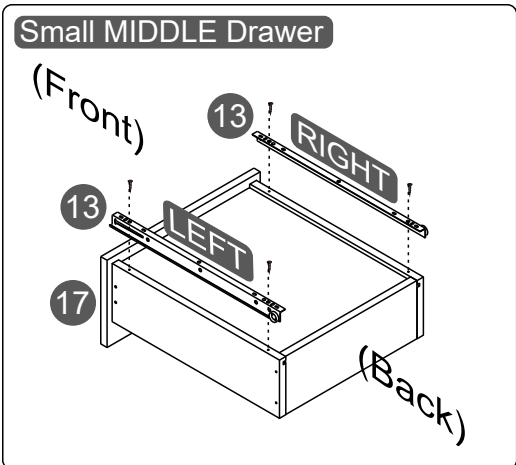
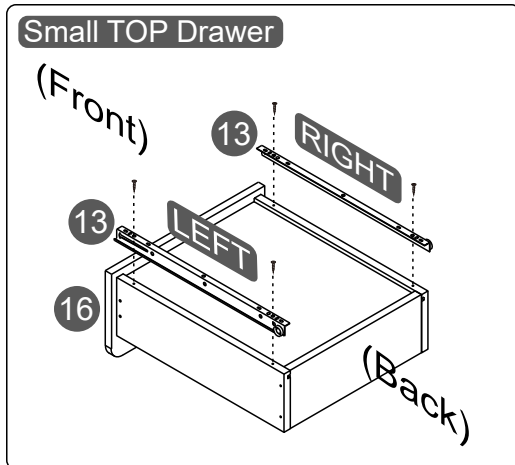
**⚠ PAY ATTENTION!**

When finished, the sliders look like this:

Sliders (Top)  
Sliders (Bottom)

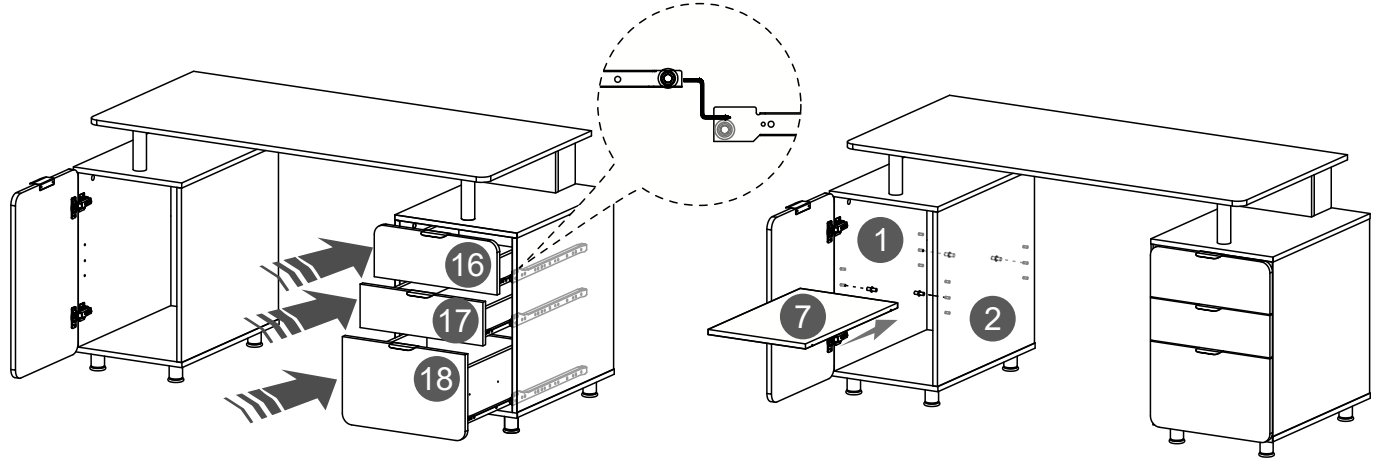
If you install as below, the drawer raises 1" and won't fit in the unit.

Sliders RAISES 1" !!!



2nd: Insert the drawers into the unit, one by one starting with the large BOTTOM, then the small MIDDLE, and small TOP last.

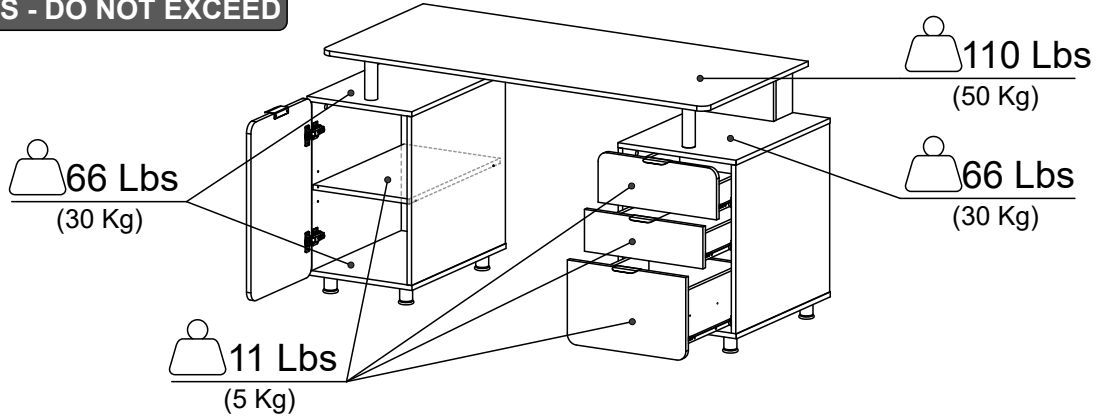
FINALLY: Install the pins J on panels #1 and 2, and place panel #7 over them at the height of your preference.



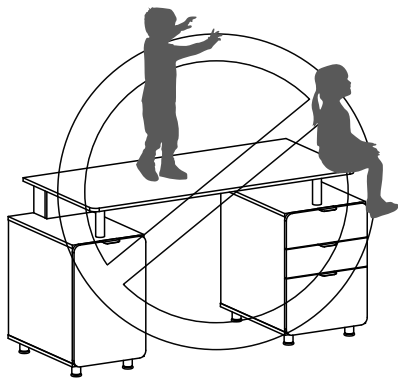
## WARNINGS

Not paying attention to the following warnings could result in injuries.

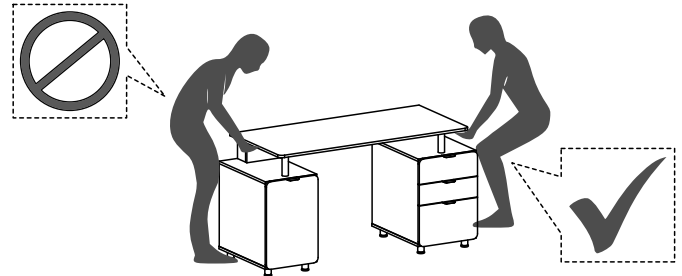
### WEIGHT LIMITS - DO NOT EXCEED



- Do not sit, climb or stand on the Unit.
- Do not allow children to play over or below the unit.



- 2 persons are required for moving the unit at distances longer than 2 feet.
- Remove or secure any objects that are heavy or might fall off during moving.
- Lift by bending your knees, not your backs.

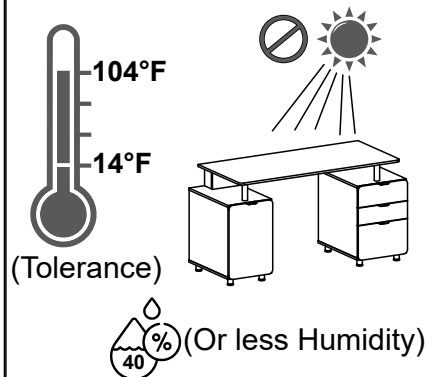


## CARE AND MAINTENANCE

- Clean with a cloth lightly dampened in a solution of mild soap and water.
- Do not use solvents or abrasive materials.



Do not expose to direct sunlight or extreme environmental conditions.



Inspect and re-tighten any loose screws every 4 months.

