
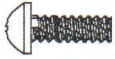



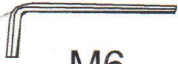
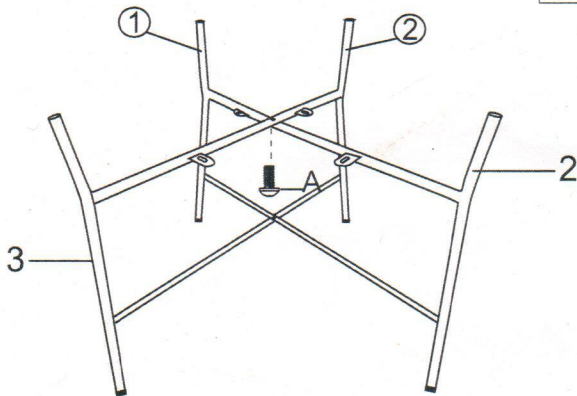
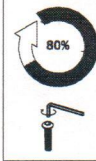


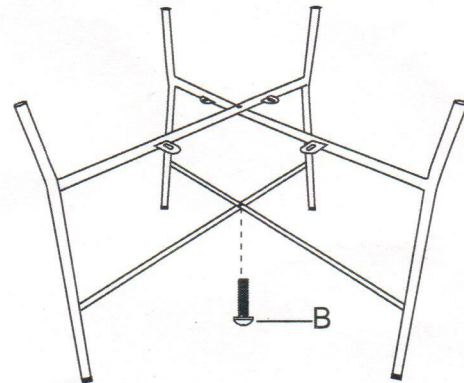
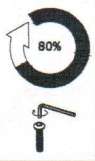
Assembly Instruction

1*1		A*5+1EXT	 M6*20MM
2*1		B*1+1EXT	 M6*8MM
3*1		G*1	 M6

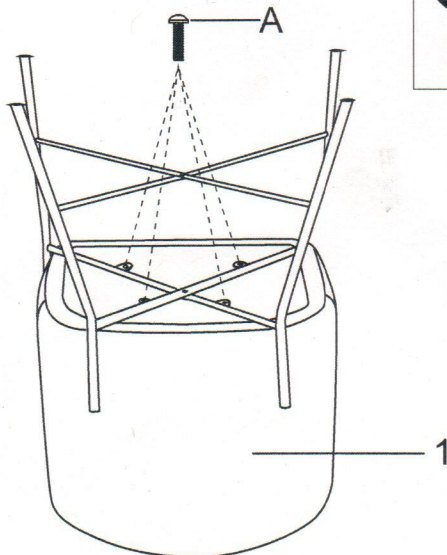
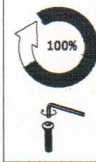
STEP 1



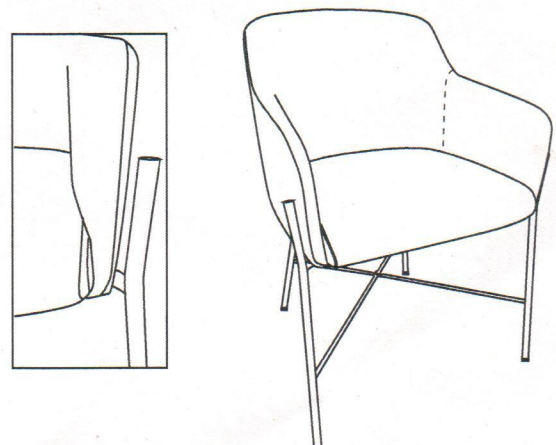
STEP 2



STEP 3



STEP 4



If there's a gap between seat and metal frame after assembling, please slightly loosen the screws and adjust the position of metal frame. Then re-tighten the screws!