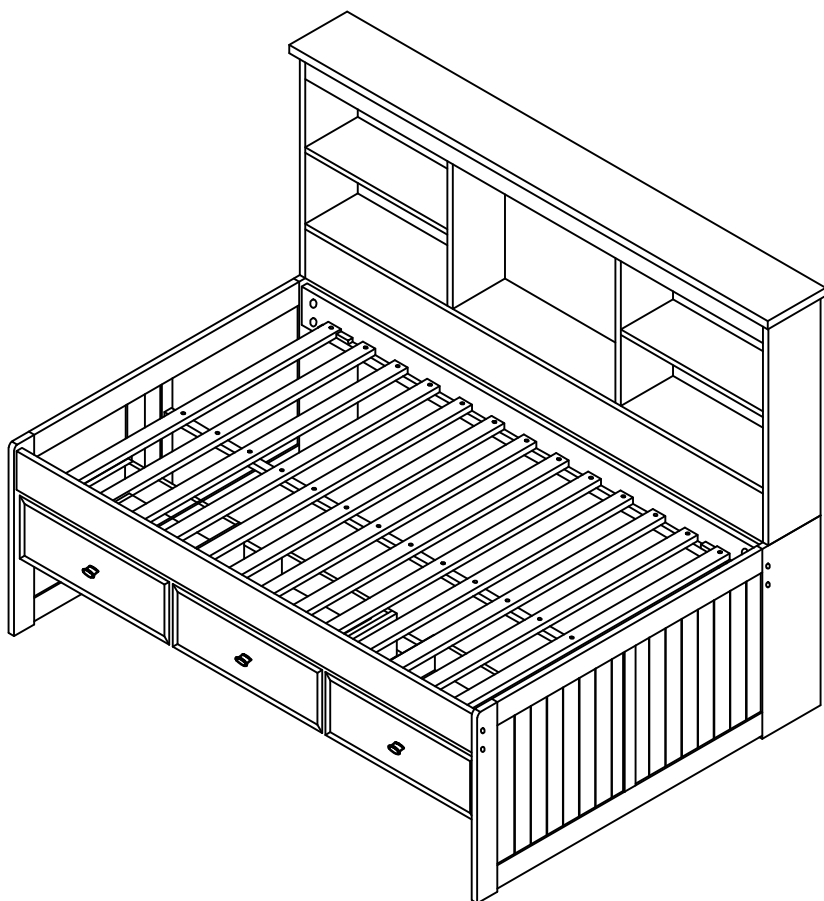
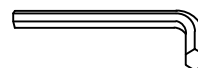


ASSEMBLY INSTRUCTIONS



TOOLS REQUIRED



Allen Wrench

(Included)



Phillips
Screwdriver

(Not Included)



2 - People
Recommended

ASSEMBLY RATING



EASY —————> DIFFICULT

The Assembly Rating is a 5-point system showing the level of effort needed to assemble a specific product.



CHECK BEFORE STARTING

Are you missing anything?

Double-check all parts, hardware and accessories listed are all accounted for.

Check out our Quick Tips!

We recommend reviewing the pre-assembly handouts. Even experts need a refresher now and then!

Should we send any replacements?

Are there any irregularities or flaws in the parts? We can send replacements!

Prep Time!

Please review the assembly instructions and all diagrams prior to assembling.

PRE ASSEMBLY INTRODUCTION

We understand building ready-to-assemble furniture can be a challenging experience for some. To help avoid confusion, we have provided some helpful tips that may speed up the process.



Teamwork

ALWAYS have at least two people to help with transporting and assembling the product to avoid potential injury and/or damage.



Suitable Location

Assembling near the area of the intended location is highly recommended.



Sufficient Space

Make sure you have enough space to move around during the assembly.



Avoid Scratches

Use cardboard, blankets or a carpeted area while assembling furniture to prevent to prevent scratches and damages.



Flat Surface

Make sure the furniture rests on a flat and level surface with each leg evenly touching the floor.

ASSEMBLY AND CARE ADVICE



FAILURE TO FOLLOW THE GUIDELINES BELOW MAY RESULT IN INJURY AND/OR PROPERTY DAMAGE.



Position each part correctly and insert screws or bolts into their respective holes.



Turn clockwise to tighten and only tighten when step is completed or when instructed to do so.



Use the appropriate hand tools or power tools for assembly. Select steps, such as tightening screws and/or bolts, may require hand tools to avoid causing damage during assembly.



Save the instructions and store any supplied tools for later maintenance.



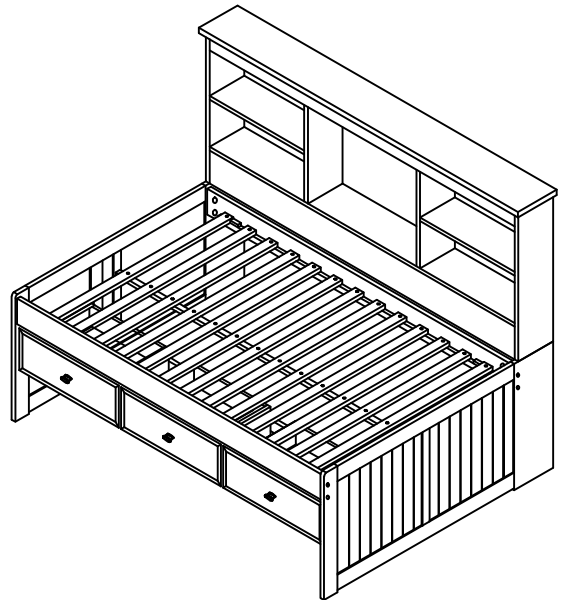
After two weeks, check and tighten any loose hardware and repeat again every six months thereafter.

IT IS THE USER'S RESPONSIBILITY TO MAINTAIN THE FURNITURE. THE HARDWARE MAY LOOSEN OVER TIME AND MAY CAUSE THE FURNITURE TO BE WOBBLY AND UNABLE TO SUPPORT ITS INTENDED WEIGHT CAPACITY. THIS MAY LEAD TO COLLAPSE AND MAY CAUSE SERIOUS INJURY.

DAYBED

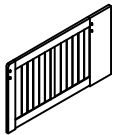


- Please keep instructions for future reference.
- Check the quantity and irregularity of parts and hardware before you start.



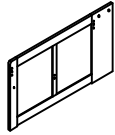
PARTS

#1 1pc



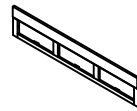
Headboard (R)

#2 1pc



Headboard (L)

#3 1pc



Front Frame

#4 1pc



Back Panel

#5 1pc



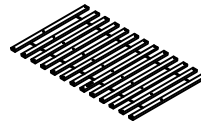
Middle Rail

#6 3pcs



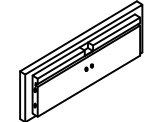
Rail skid

#7 1set



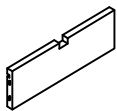
Bed slat

#8 3pcs



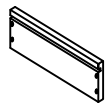
Front Drawer Panel

#9 3pcs



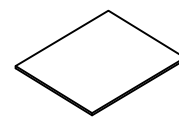
Back Drawer Panel

#10 6pcs



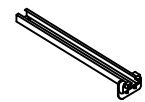
Side Drawer Panel

#11 3pcs



Bottom Drawer Panel

#12 3pcs



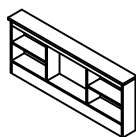
Rail

#13 2pcs



Connection board

#14 1pc



Bookcase

#15 1pc



Slat Support Rail

HARDWARE

#A 8pcs



Bolt
Ø1/4" x 2-1/2"

#B 8pcs



Hanger Nuts Ø1/4"

#C 2pcs



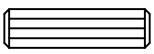
Bolt Ø1/4" x 2"

#D 10pcs



Bolt
Ø1/4" x 1-3/16"

#E 4pcs



Wood Dowel
Ø10 x 40mm

#F 1pc



Allen Key 4mm

#G 9pcs



Screw
M3 x 12mm

#H 30pcs



Bolt
Ø5/32" x 1-3/16"

#I 3pcs



Handle

#J 39pcs



Screw
#4 x 1-3/16"

#K 8pcs



Bolt
Ø1/4" x 1-3/16"

#L 8pcs



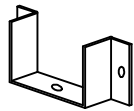
Lock washer
Ø1/4"

#M 8pcs



Washer
Ø5/16" x 19mm

#N 2pcs



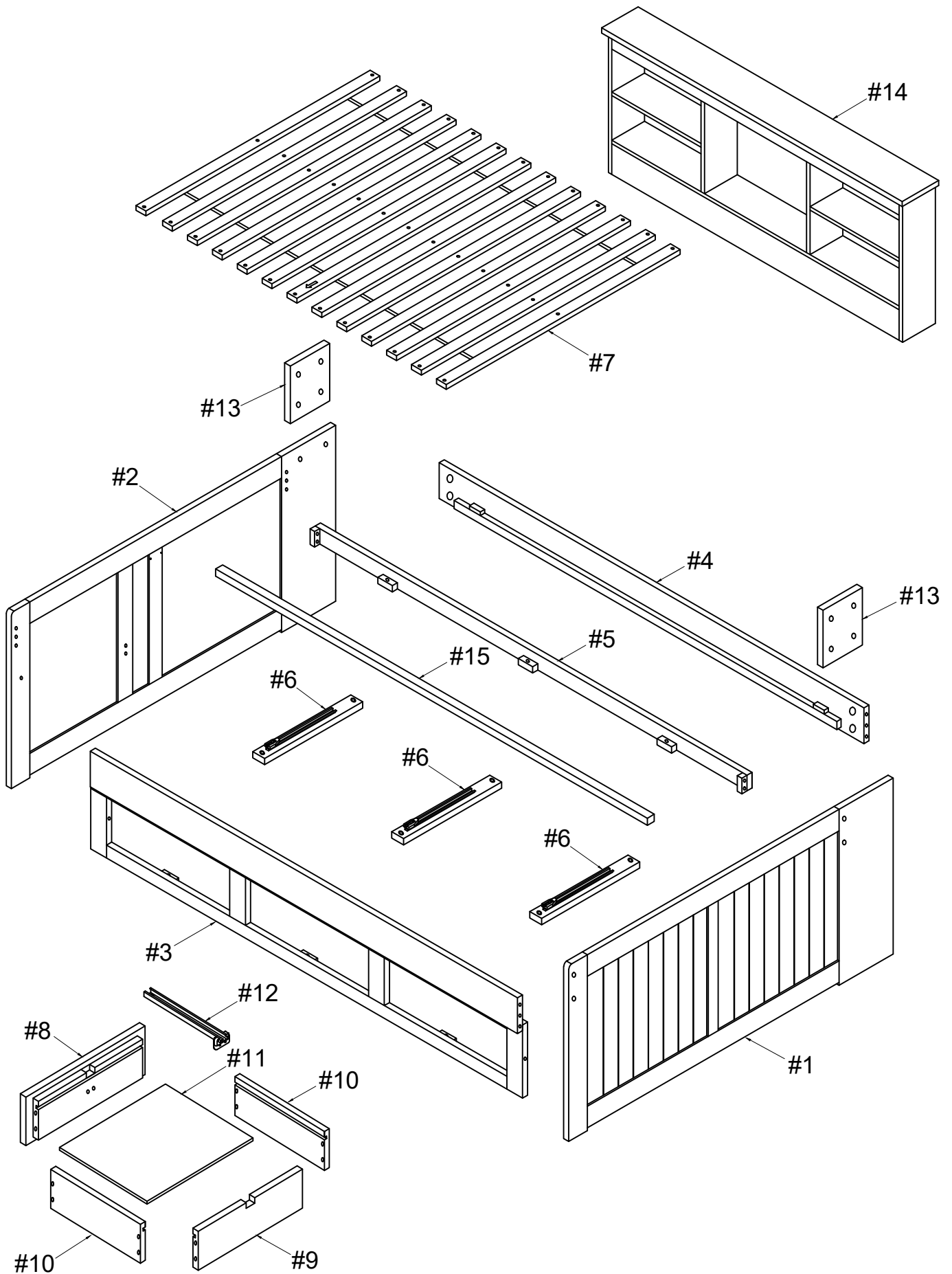
Centre rail
support

#O 6pcs

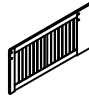
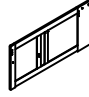

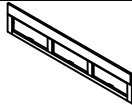










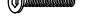







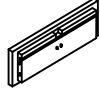
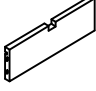
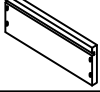
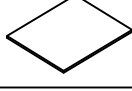
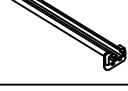
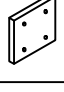




Screw
M3.5 x 15mm

Exploded View



FOA7466F is packed in 3 cases

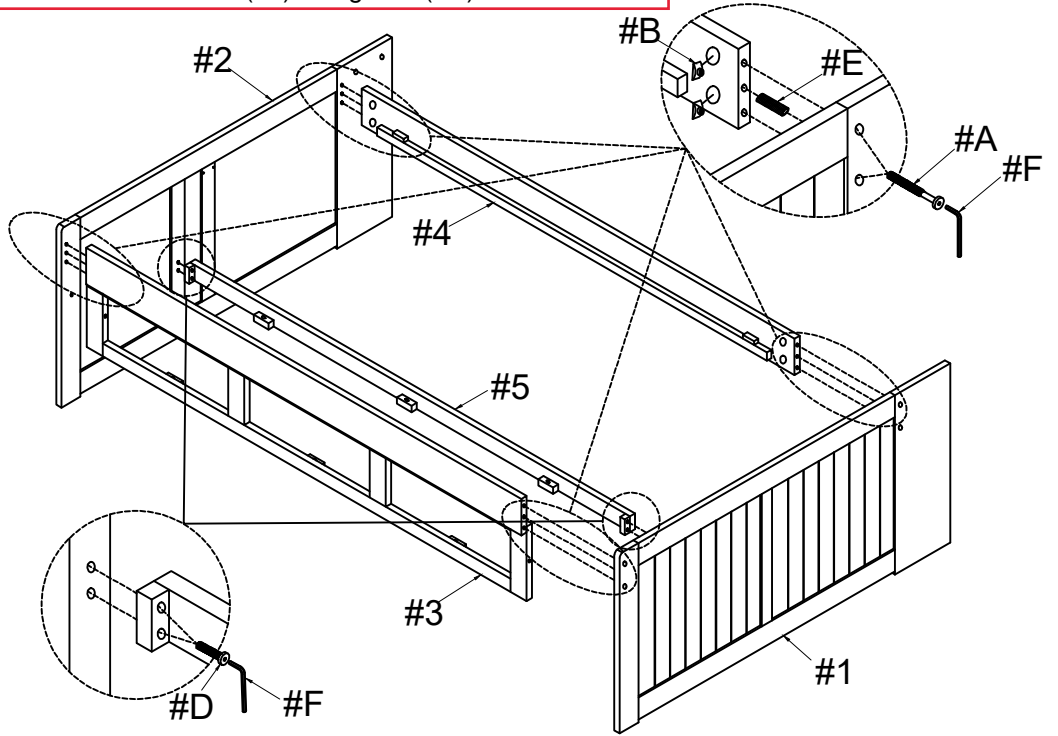
Carton	Disignation	Part		Hardware
FOA7466F-1	Headboard (L)	#1		
	Headboard (R)	#2		
	Bed slat	#7		
FOA7466F-2	Front Frame	#3		 #A x 8pcs  #B x 8pcs  #C x 2pcs  #D x 10pcs  #E x 4pcs  #F x 1pc  #G x 9pcs  #H x 30pcs  #I x 3pcs  #J x 39pcs  #K x 8pcs  #L x 8pcs  #M x 8pcs  #N x 2pcs  #O x 6pcs
	Back Panel	#4		
	Middle Rail	#5		
	Rail skid (3pcs)	#6		
	Front Drawer Panel(3pcs)	#8		
	Back Drawer Panel (3pcs)	#9		
	Side Drawer Panel (6pcs)	#10		
	Bottom Drawer Panel (3pcs)	#11		
	Rail (3pcs)	#12		
	Connection board (2pcs)	#13		
	Top middle horizontal	#15		
FOA7466F-3	Bookcase	#14		

ASSEMBLY INSTRUCTIONS

1 Prepare the Front frame (#3) and the Back Panel (#4) by inserting the Wood Dowel (#E) as shown. Align and secure the Front frame (#3) and the Back Panel (#4) to the R Headboard (#1) and the L Headboard (#2) and using Bolt (#A) and hanger Nut (#B). Align and secure the Middle Rail (#5) to the R Headboard (#1) and the L Headboard (#2) using Bolt (#D).

1

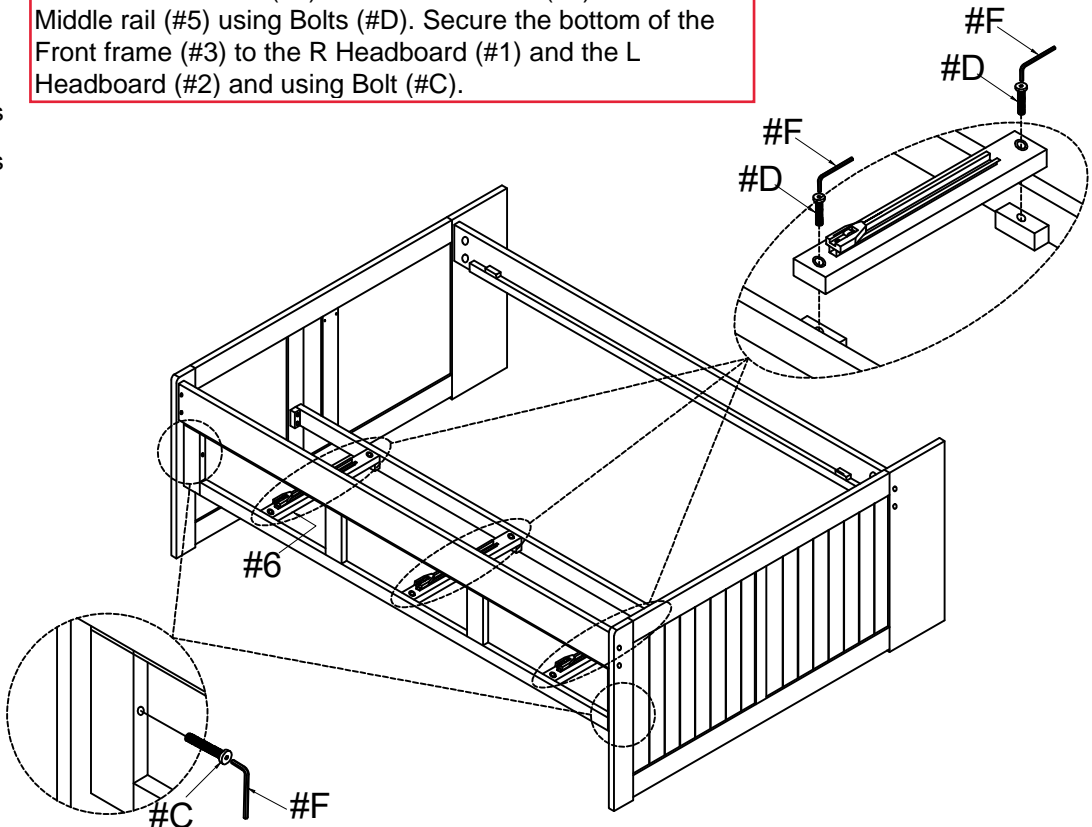
- Part #1 x1pc
- Part #2 x1pc
- Part #3 x1pc
- Part #4 x1pc
- Part #5 x1pc
- Hardware #A x8pcs
- Hardware #B x8pcs
- Hardware #D x4pcs
- Hardware #E x4pcs



2

Attach the Rail skid (#6) to the Front frame (#3) and the Middle rail (#5) using Bolts (#D). Secure the bottom of the Front frame (#3) to the R Headboard (#1) and the L Headboard (#2) and using Bolt (#C).

- Part #6 x3pcs
- Hardware #C x2pcs
- Hardware #D x6pcs



ASSEMBLY INSTRUCTIONS

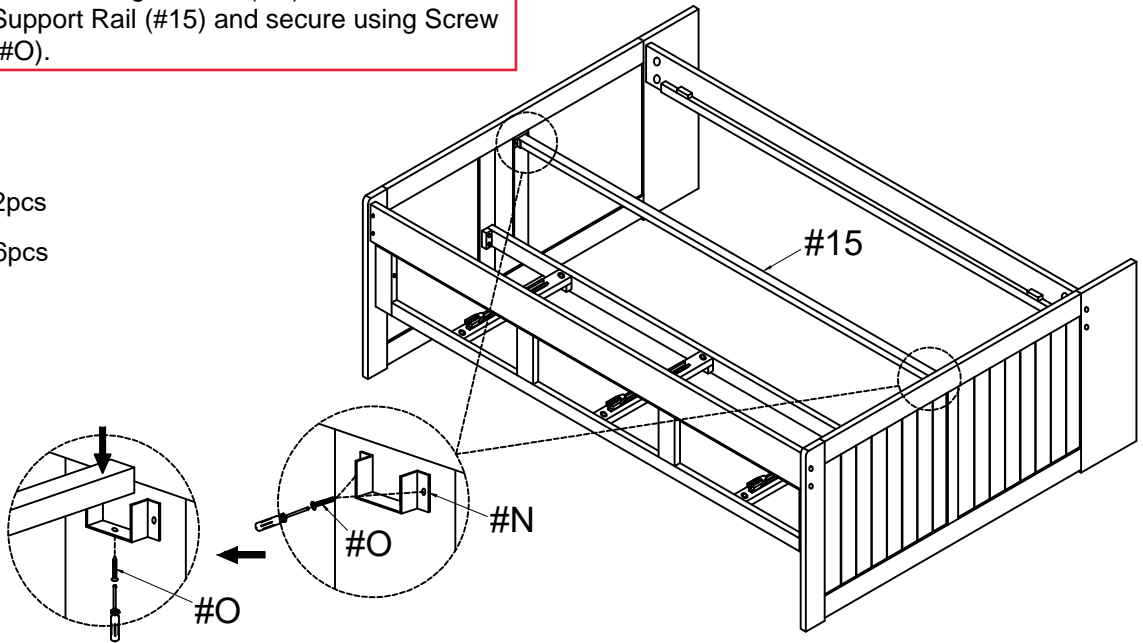
3

Align the Center Rail Support (#N) to the R Headboard (#1) and the L Headboard (#2). Secure using Screws (#O). Place the Slat Support Rail (#15) and secure using Screw (#O).

Part #15 x1pc

Hardware #N x2pcs

Hardware #O x6pcs



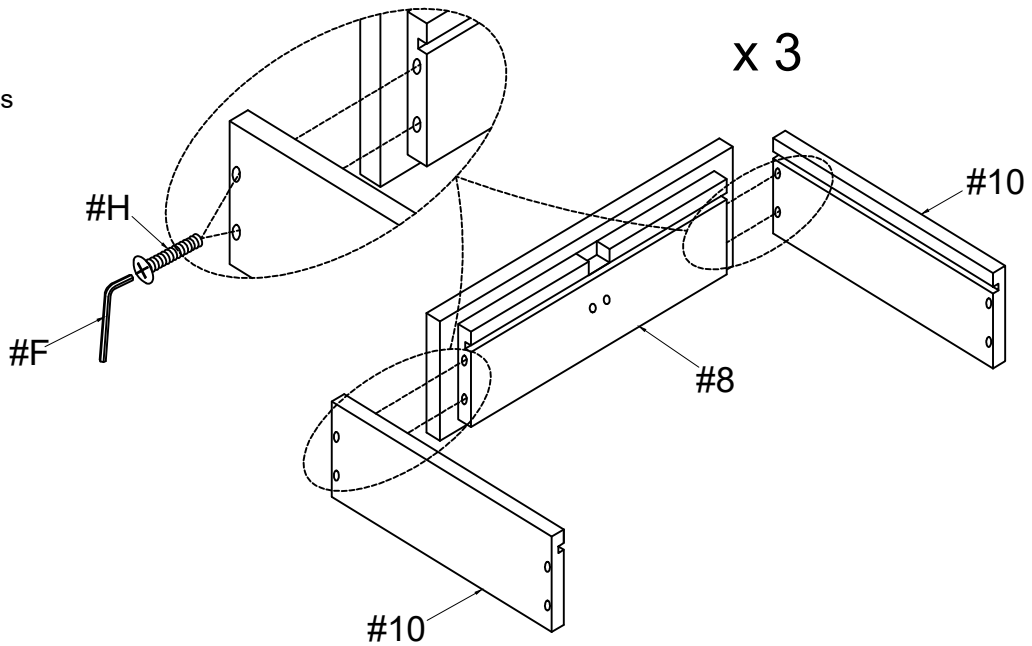
4

Align the Side drawer panels (#10) to the Front Drawer panel (#8). Secure by using Bolts (#H).

Part #8 x1pc

Part #10 x2pcs

Hardware #H x4pcs

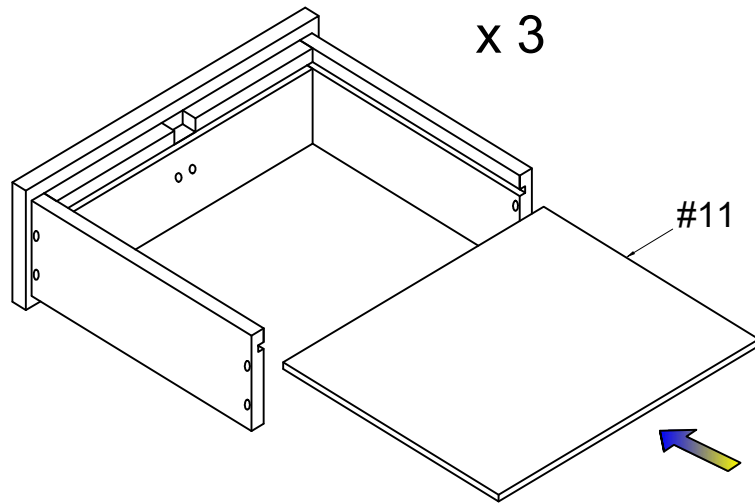


ASSEMBLY INSTRUCTIONS

5

Insert the Bottom Drawer Panel (#11).

Part #11 x1pc



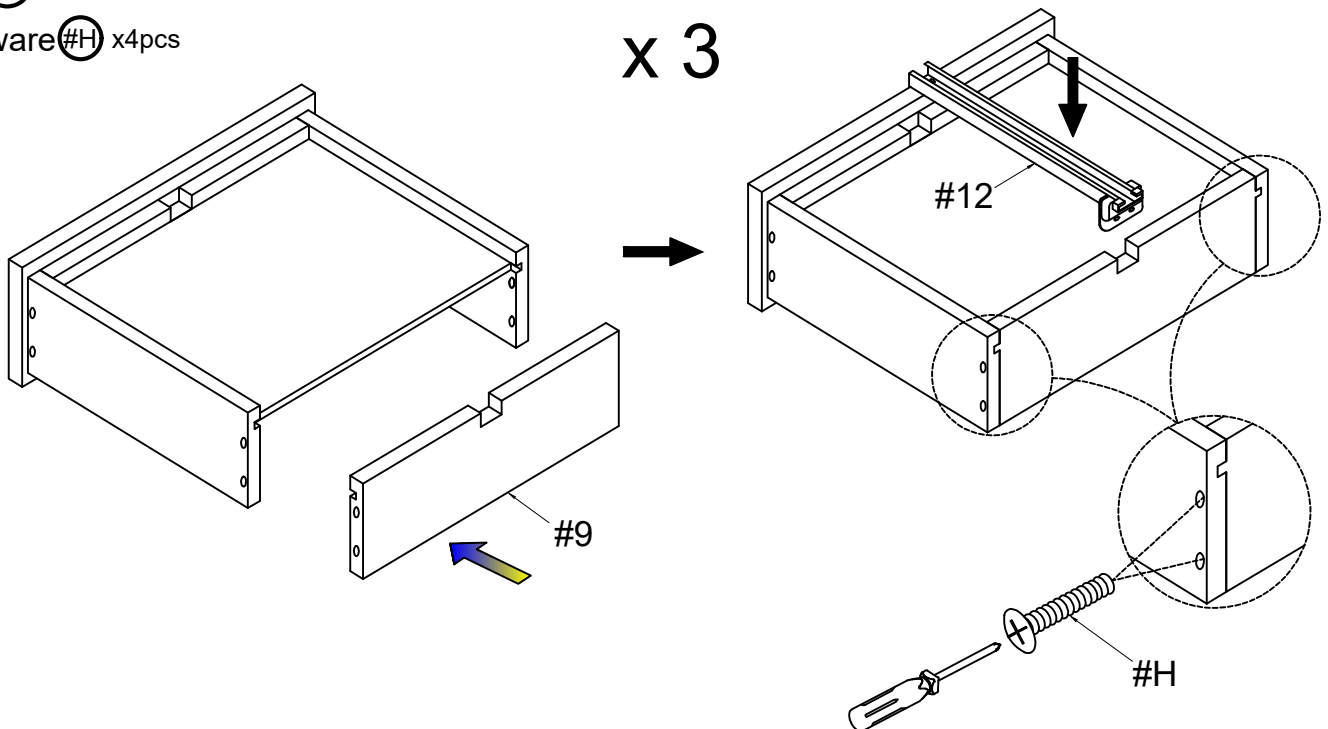
6

Align Back Drawer Panel (#9). Align the Rail (#12) to the Front Drawer panel (#8) and the Back Drawer Panel (#9) and secure all parts using Bolts (#H).

Part #9 x1pc

Part #12 x1pc

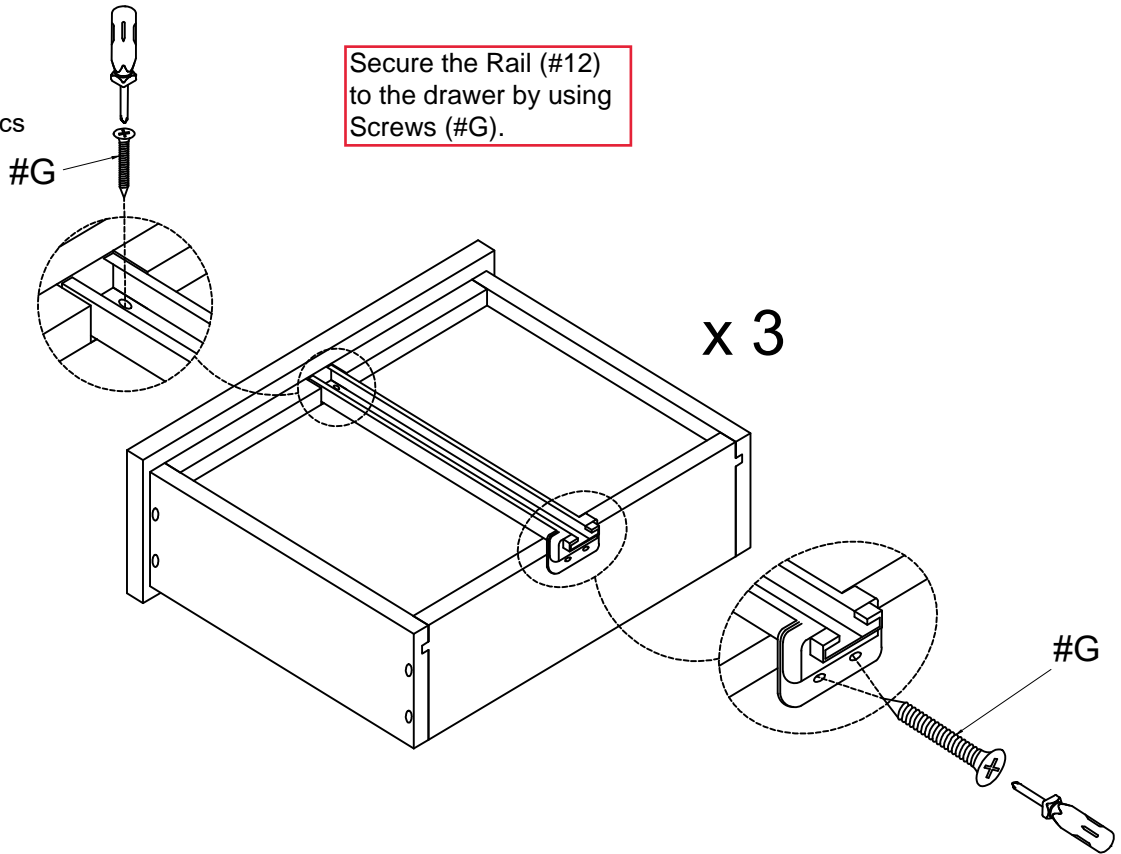
Hardware #H x4pcs



ASSEMBLY INSTRUCTIONS

7

Hardware **#G** x3pcs

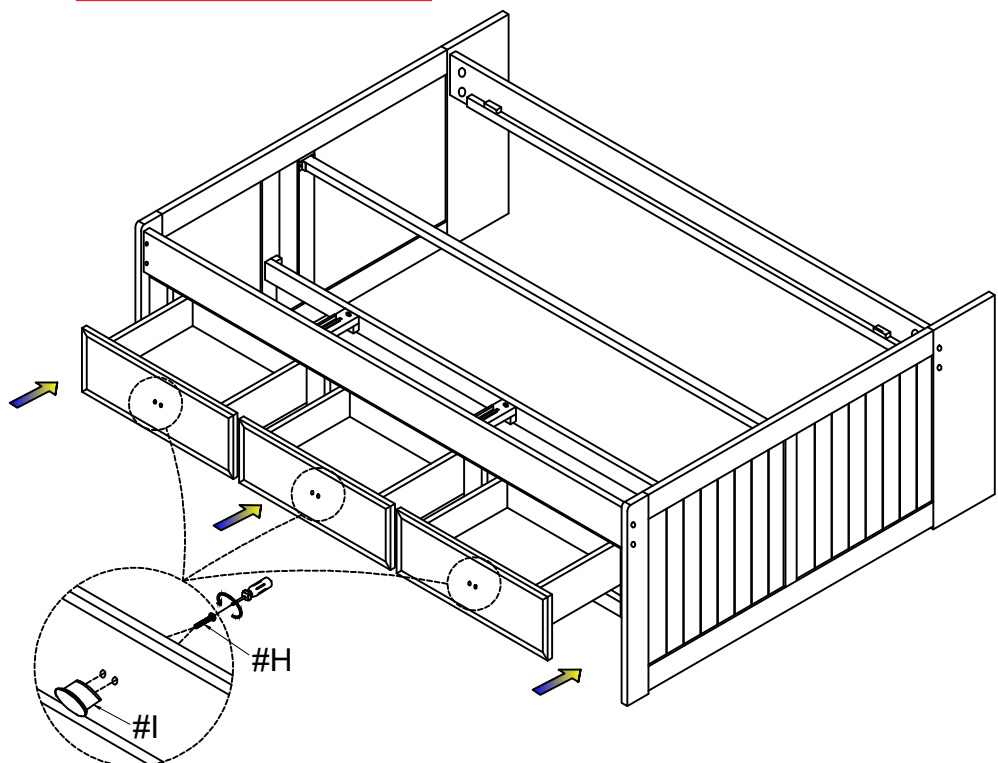


8

Hardware **#H** x6pcs

Hardware **#I** x3pcs

Insert drawers into Rails.
Align and secure the Handle (#I) to the Front Drawer panels (#8) by using Bolt (#H).

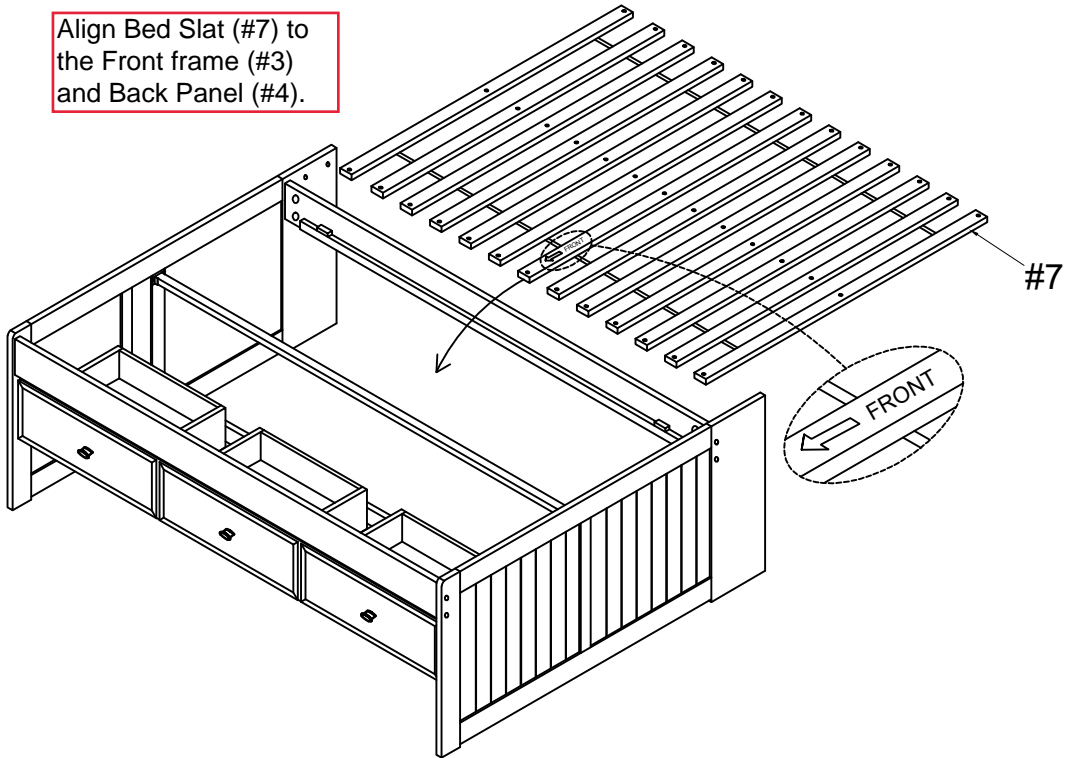


ASSEMBLY INSTRUCTIONS

9

Part #7 x1set

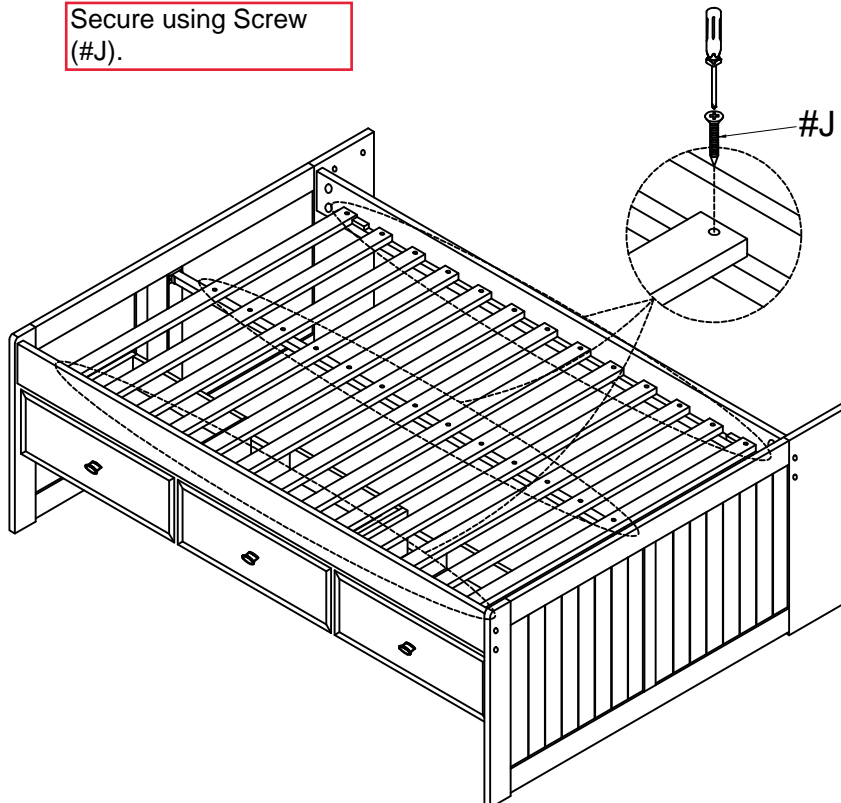
Align Bed Slat (#7) to the Front frame (#3) and Back Panel (#4).



10

Hardware #J x39pcs

Secure using Screw (#J).



ASSEMBLY INSTRUCTIONS

11

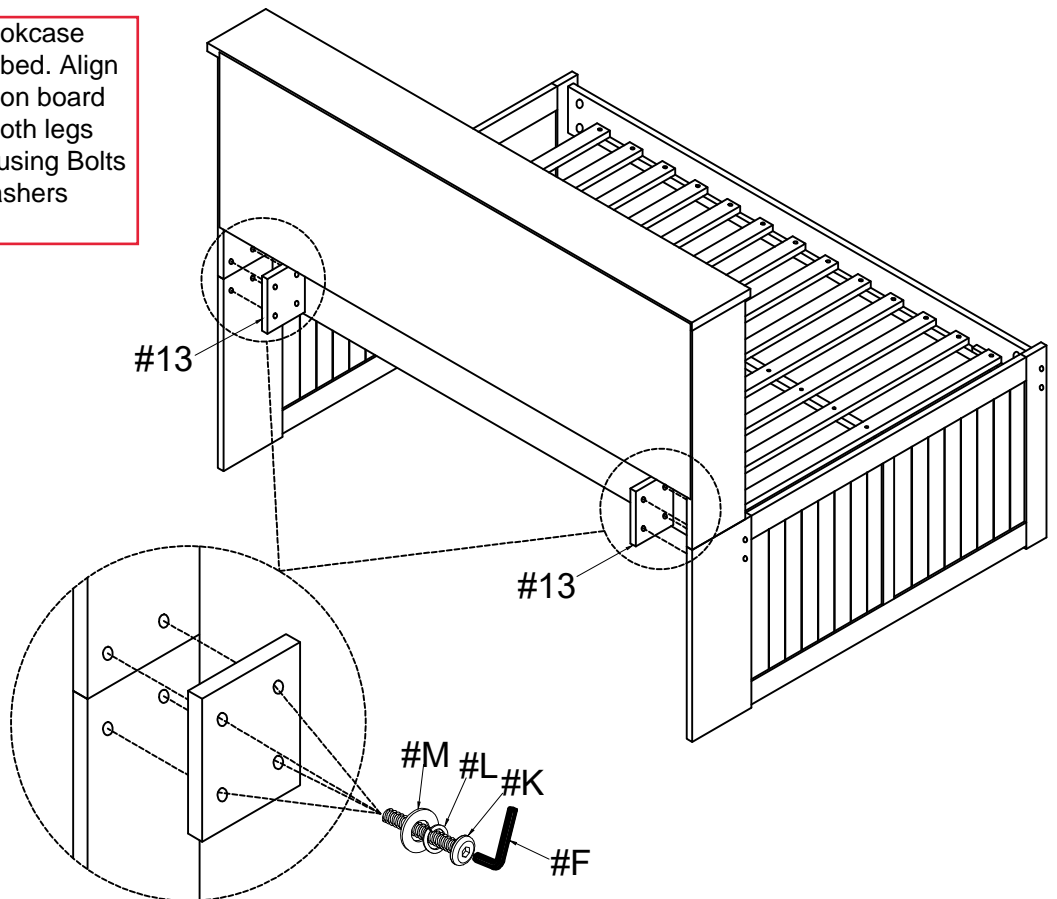
Part #13 x2pcs

Hardware #K x8pcs

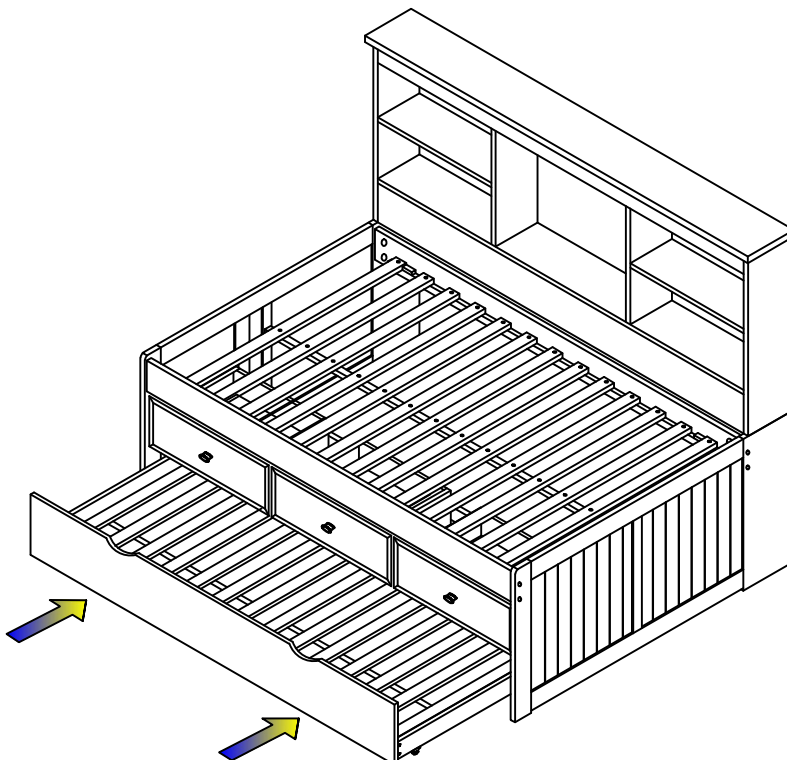
Hardware #L x8pcs

Hardware #M x8pcs

Align the Bookcase (#14) to the bed. Align the connection board (#13) over both legs and secure using Bolts (#K) with washers (#L, #M).



12



ASSEMBLY COMPLETED



Please ensure the furniture rests on an even and flat surface. If the product wobbles or feels loose, double-check all bolts and/or screws are properly tightened and secured.



Keep this handy!

Please retain this instruction manual and any order-related information for future reference.



Lift, don't drag!

To avoid damage to product please always LIFT the product when transporting or adjusting the placement.