

ASSEMBLY INSTRUCTIONS

# RESIN GARDEN SHED

SKU: T-PS23-0404-810BG

BE  
YOUR  
LIFE BUILDER

[www.patiowell.com](http://www.patiowell.com)



**Patiowell**  
Resin Garden House  
Installation Tutorial  
[https://www.patiowell.com/  
pages/video-T-PS23-0404-810BG](https://www.patiowell.com/pages/video-T-PS23-0404-810BG)

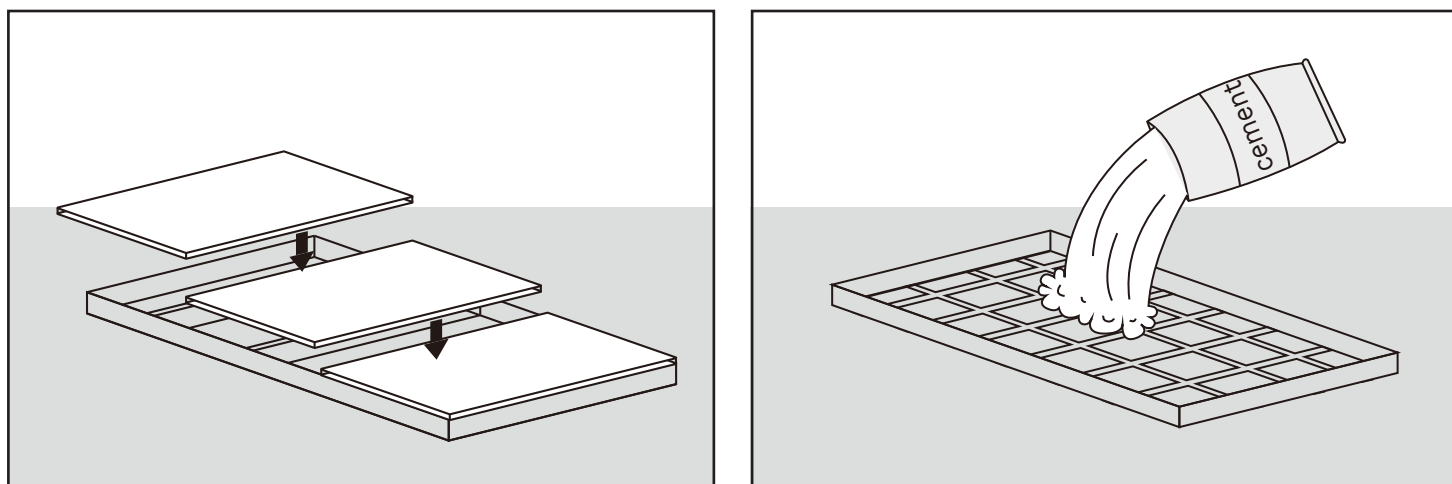
 [saleservice@patiowell.com](mailto:saleservice@patiowell.com)

# SITE PREPARATION

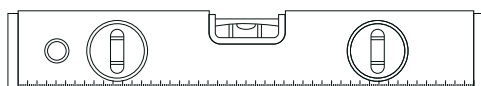
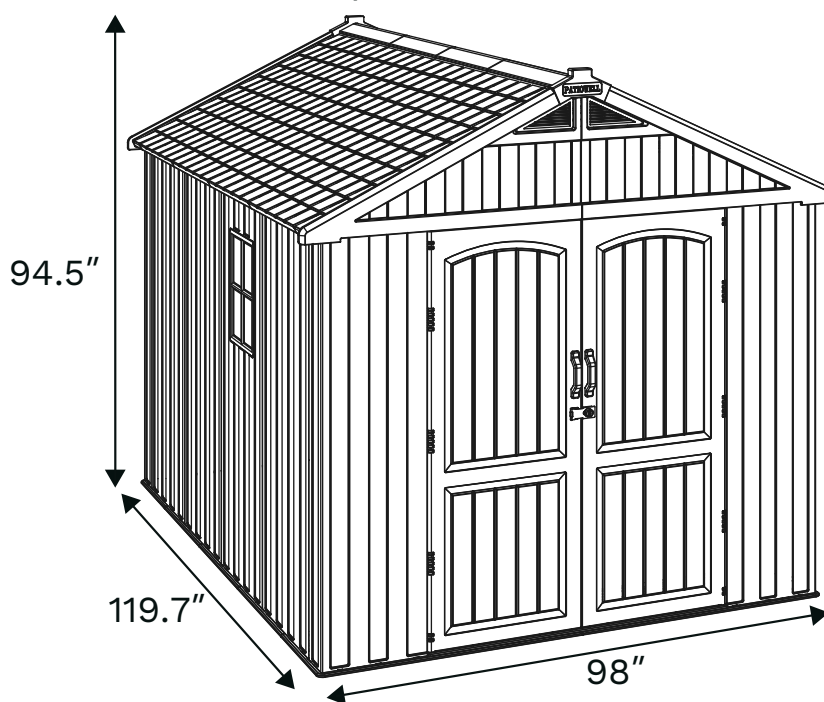
Level the ground surface.



Recommendation: Construct a wooden or concrete base as a foundation.



The external dimensions of the product :



Before installation, please measure the ground with a tool and make sure the ground is level before installation.

## BEFORE STARTING ASSEMBLY

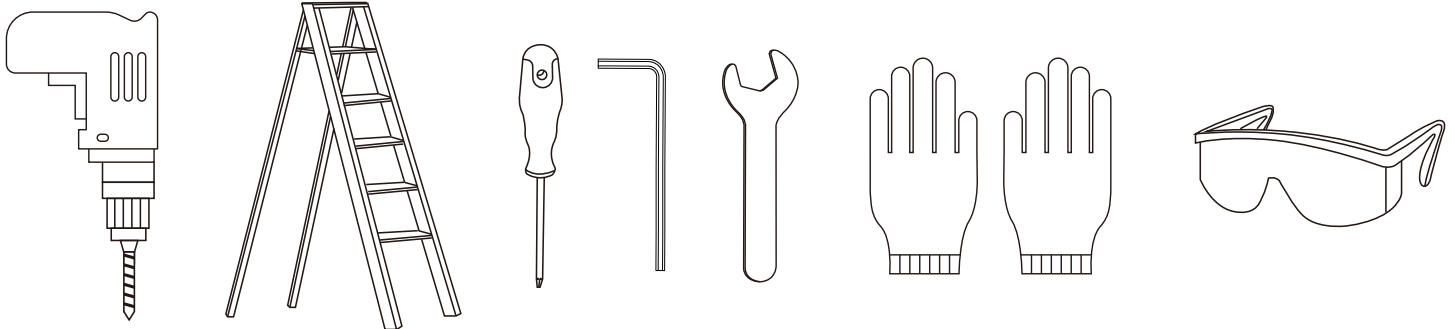
Remove all of the pieces from the 6 packages and spread them out on the ground. Before installation, please check the type and quantity of parts first.

It is recommended to use a clean work surface to spread the parts out and for pre-assembly steps. Review all instructions before you begin, continue to refer to instructions during assembly.

Be sure to follow all steps thoroughly.

Please prepare these components in advance at the beginning of each stage.

## REQUIRED TOOLS



## CAUTION

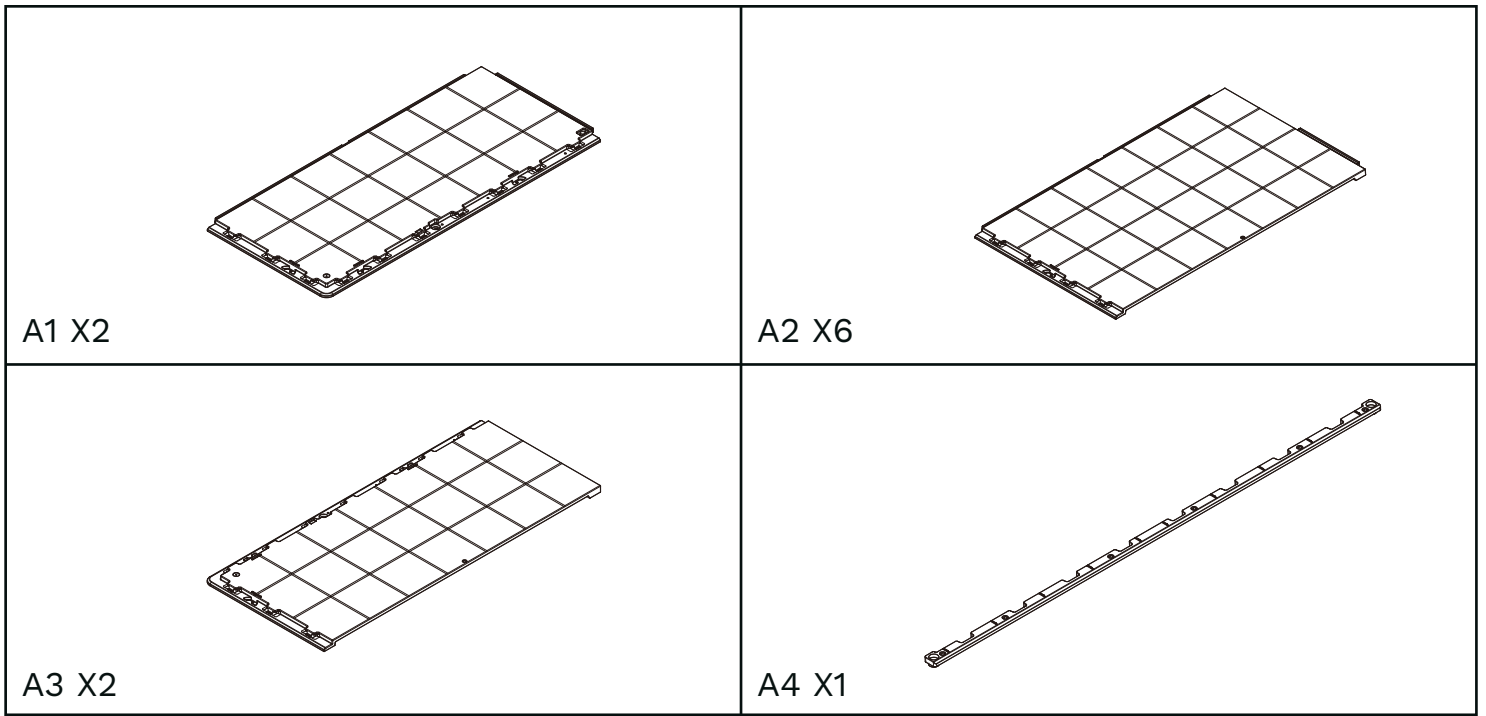
Some parts have steel edges. Please be careful when handling components. Always wear work gloves, eye protection and long sleeves when assembling or performing any maintenance on your shed. Do not attempt assembly on days with strong winds or low temperatures.



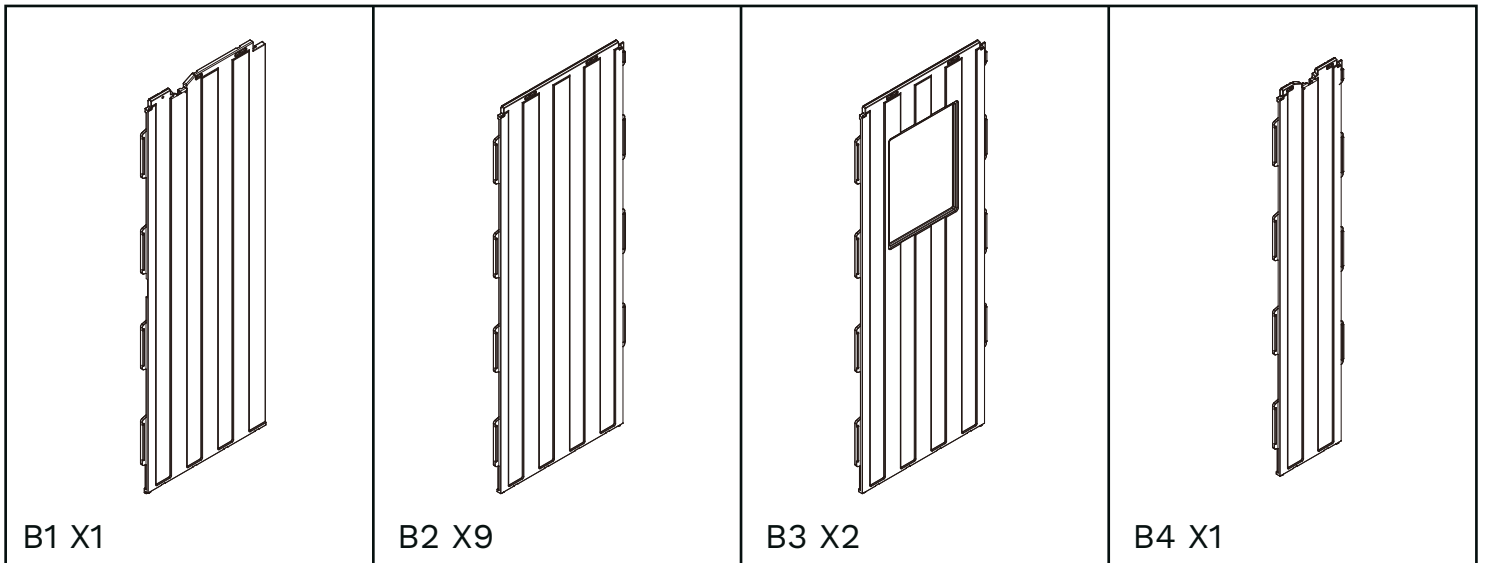
Requires two people and takes 2-3 hours for Installation. Recommended to wear gloves to avoid scratches. Please read the manual carefully before installation.

**DO NOT RETURN YOUR UNIT  
TO THE STORE**  
Contact us first  
[saleservice@patiowell.com](mailto:saleservice@patiowell.com)



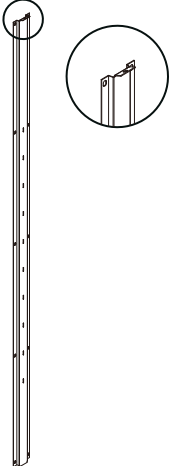
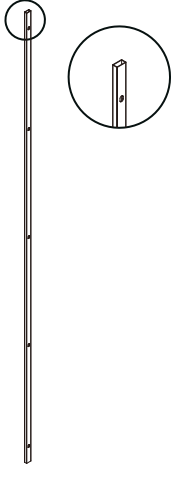
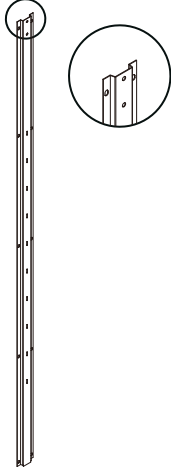
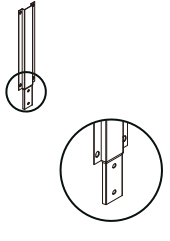
# FLOOR PARTS



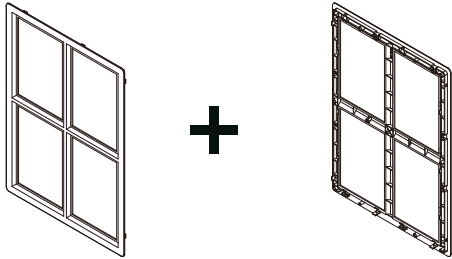

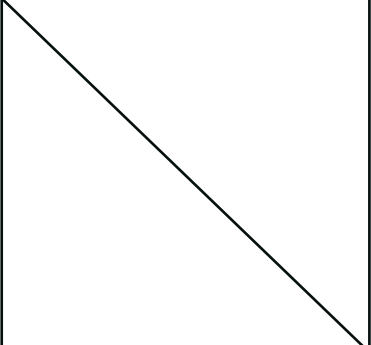
# WALL PARTS



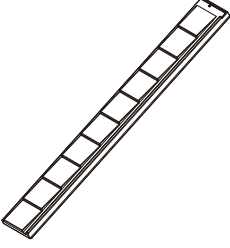
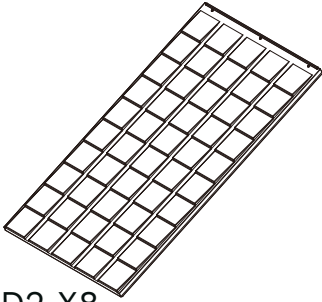
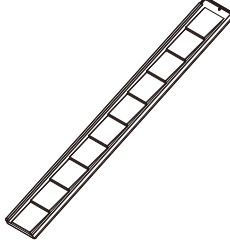
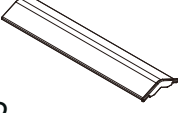
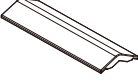
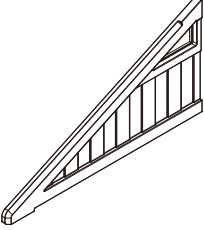

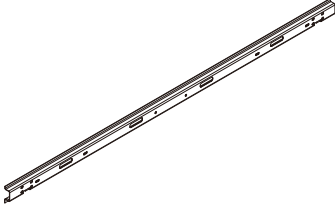
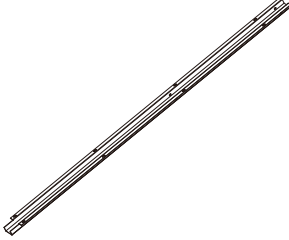
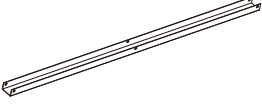
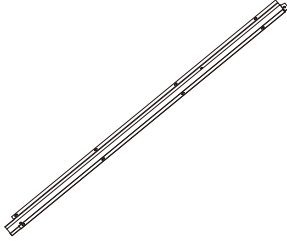
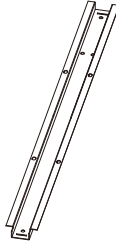
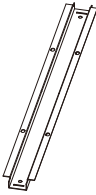

# WALL PARTS

 <p>B5 X1</p>	 <p>B6 X1</p>	 <p>B2-1 X10</p>	 <p>B2-2 X2</p>
 <p>B2-3 X4</p>	 <p>B2-4 X2</p>		

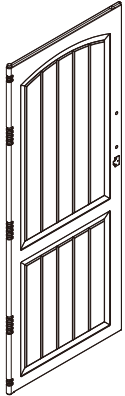
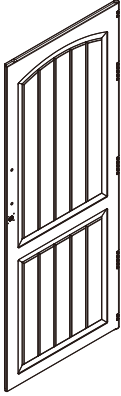


# WINDOW PARTS

 <p>W1 X4</p>	 <p>W2 X2</p>	
--	---	---




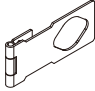



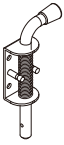
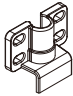

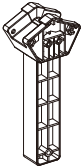
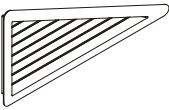
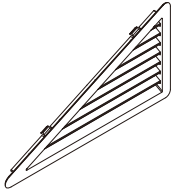


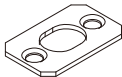

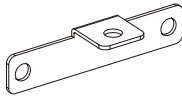
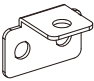


# ROOF PARTS

 <p>D1 X2</p>	 <p>D2 X8</p>	 <p>D3 X2</p>	 <p>E1 X2</p>  <p>E2 X2</p>
 <p>CL X2</p>	 <p>CR X2</p>	 <p>DD X1</p>	 <p>D2-1 X6</p>
 <p>D2-2 X3</p>	 <p>D2-3 X4</p>	 <p>E1-1 X2</p>	 <p>E2-1 X2</p>
 <p>D2-4 X2</p>			




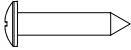



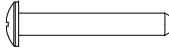

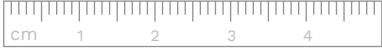

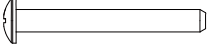

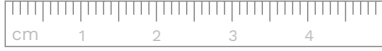





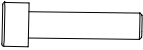



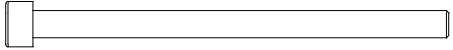

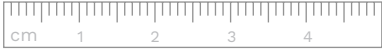

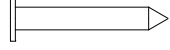

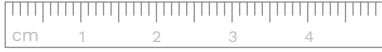

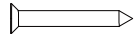







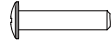
# DOOR PARTS

 <p>DL X1</p>	 <p>DR X1</p>	 <p>DF X2</p>	 <p>DZ X2</p>
--	--	--	--

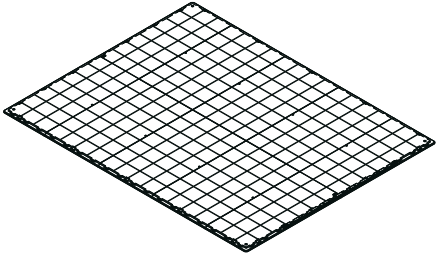
# ACCESSORIES

 <p>DH1 X2</p>	 <p>DH2 X2</p>	 <p>DG X2</p>	 <p>+</p>  (3pcs) M4*10  <p>+</p>  (4pcs) M4*16 <p>DS X1</p>
 <p>DC X1</p>	 <p>DDZ X2</p>	 <p>E3 X2</p>	 <p>E4 X3</p>
 <p>CRI X2</p>	 <p>CLI X2</p>	 <p>D4 X16</p>	 <p>A5 X2</p>
 <p>A1-1 X1</p>	 <p>B1-1 X2</p>	 <p>D2-5 X2</p>	 <p>D2-6 X6</p>
 <p>M6 X50</p>	 <p>Z6 X10</p>		

# SCREW

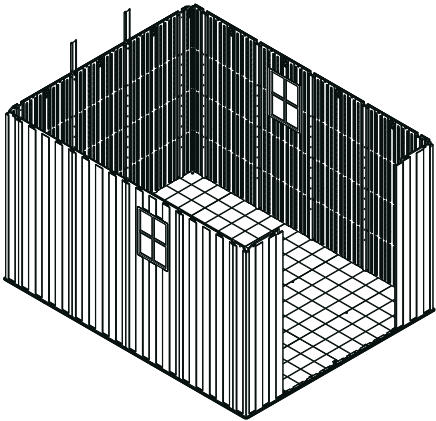
 166 pcs SP6-15 M6*15	  	 193 pcs SP6-20 M6*20	  
 22 pcs SP6-25 M6*25	  	 4 pcs M6-10 M6*10	  
 24 pcs M6-15 M6*15	  	 21 pcs M6-55 M6*55	  
 16 pcs SPF6-20 M6*20	  	 2 pcs SF4-15 M4*15	  
 11 pcs M5-8 M5*8	  	 8 pcs M5-12 M5*12	  

# CONTENTS



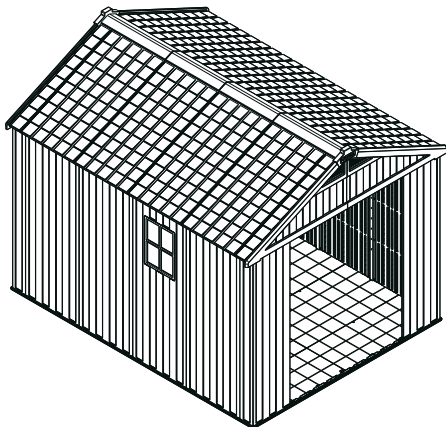
Floor Part Instruction

10-16  
(page)



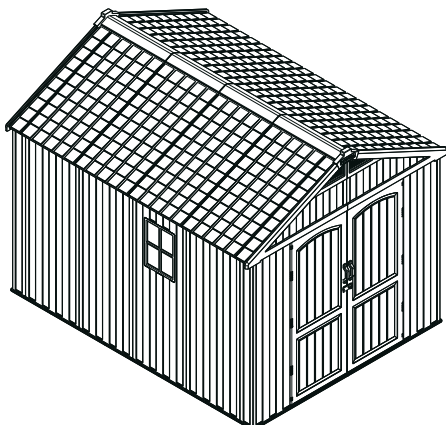
Wall Part Instruction

16-29  
(page)



Roof Part Instruction

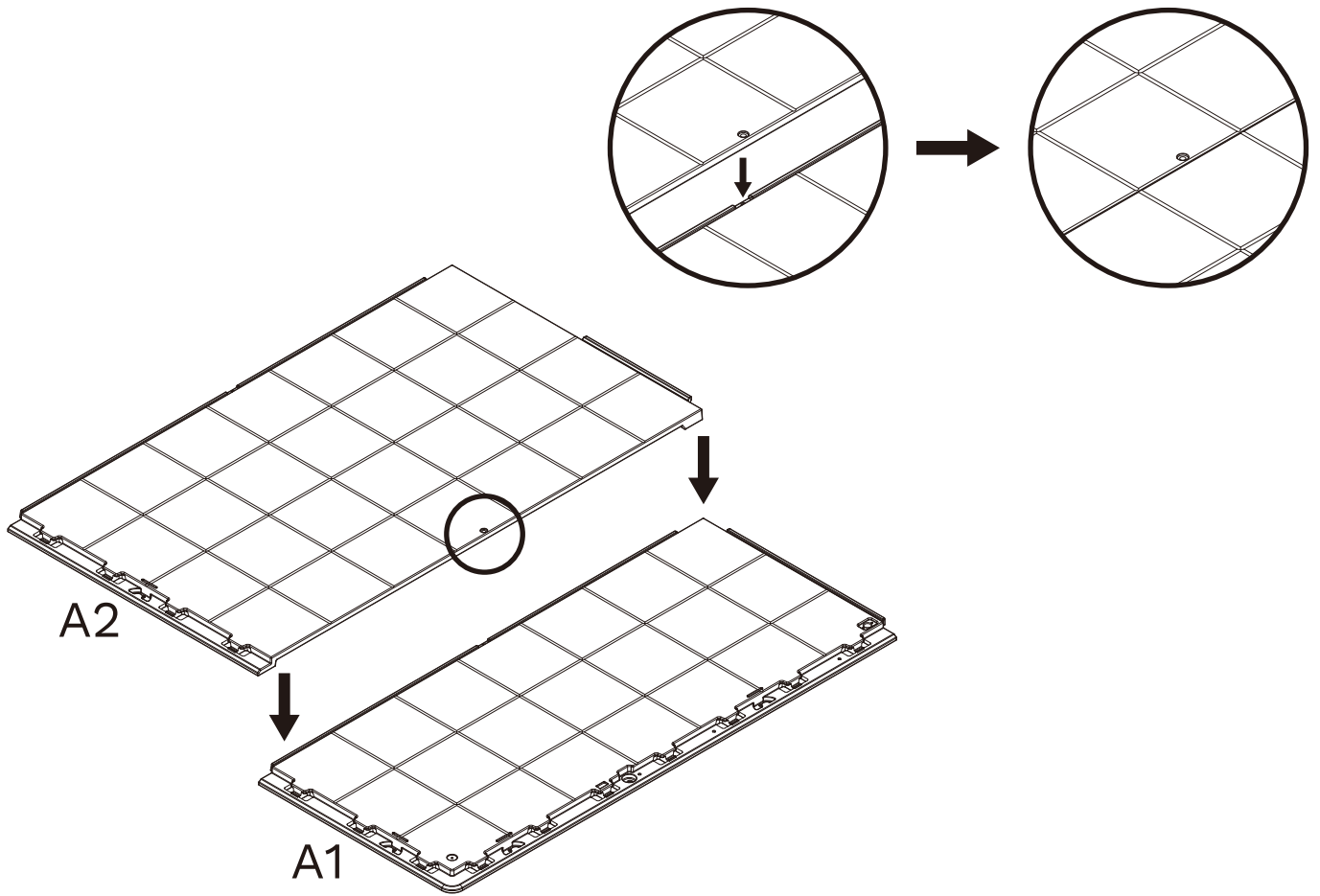
30-41  
(page)



Door Part Instruction

42-46  
(page)

# STEP 1



# STEP 2

