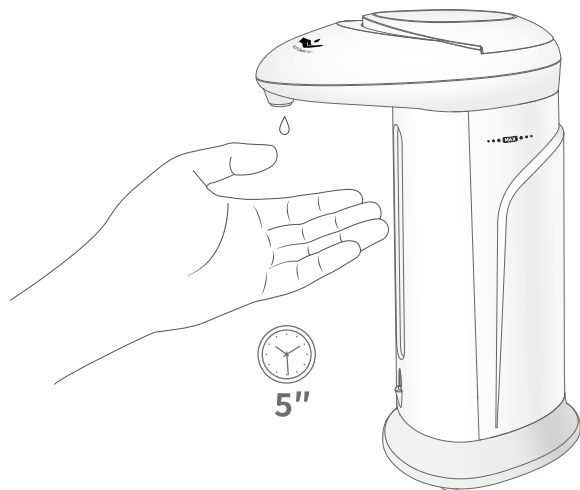


- 5 Extend your hand to the induction area and the product will work automatically. The maximum working time is 5 seconds at a time. When the induction area is opened, the product will stop working automatically.

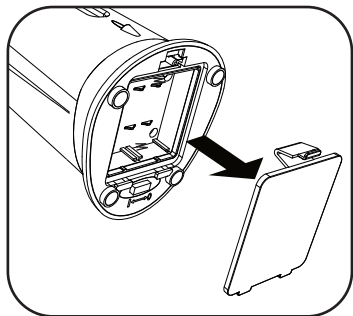


USER GUIDE

Automatic Soap Dispenser

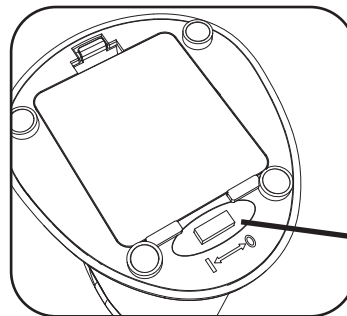


1



1 Open battery compartment.

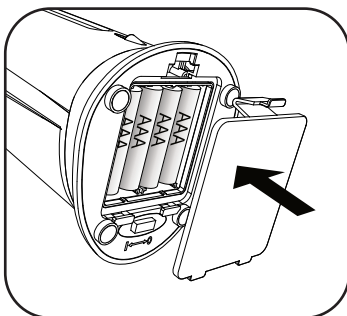
2



3 Switch to position 1 to get product started.

2 Power supply method

- Load 4 AAA cell batteries (need to be purchased separately), please be noted do not mix the new and old batteries, do not mix carbon and alkaline batteries, not to use rechargeable batteries (such as nickel metal hydride, nickel chromium batteries, etc.).



- Close battery compartment cover.

4 Pour in hand sanitizer

we recommend certain brand of hand sanitizer, please consult the customer service for details.

