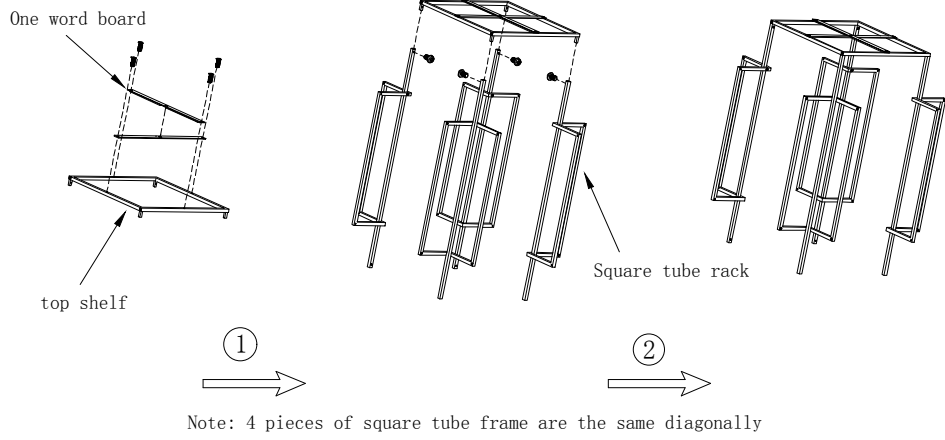


installation instruction

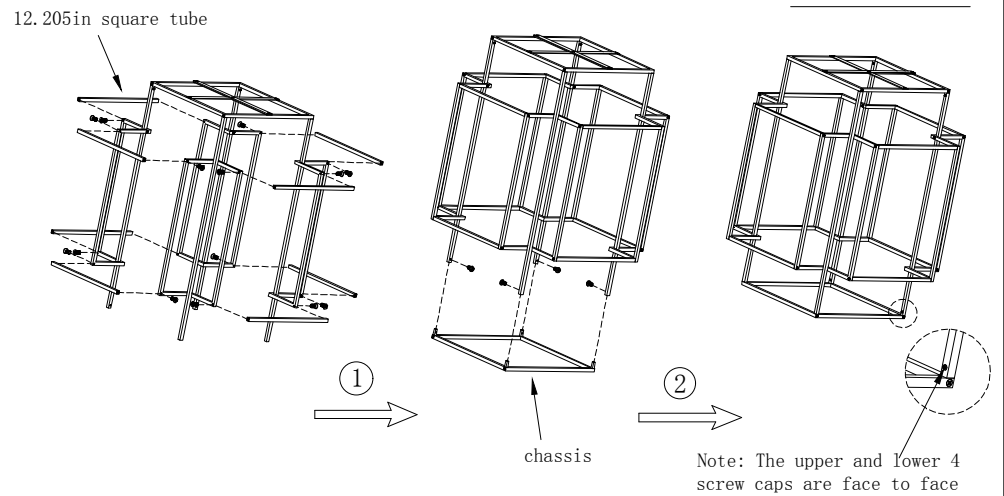
One

Assembly drawing of outer lamp holde

1



2



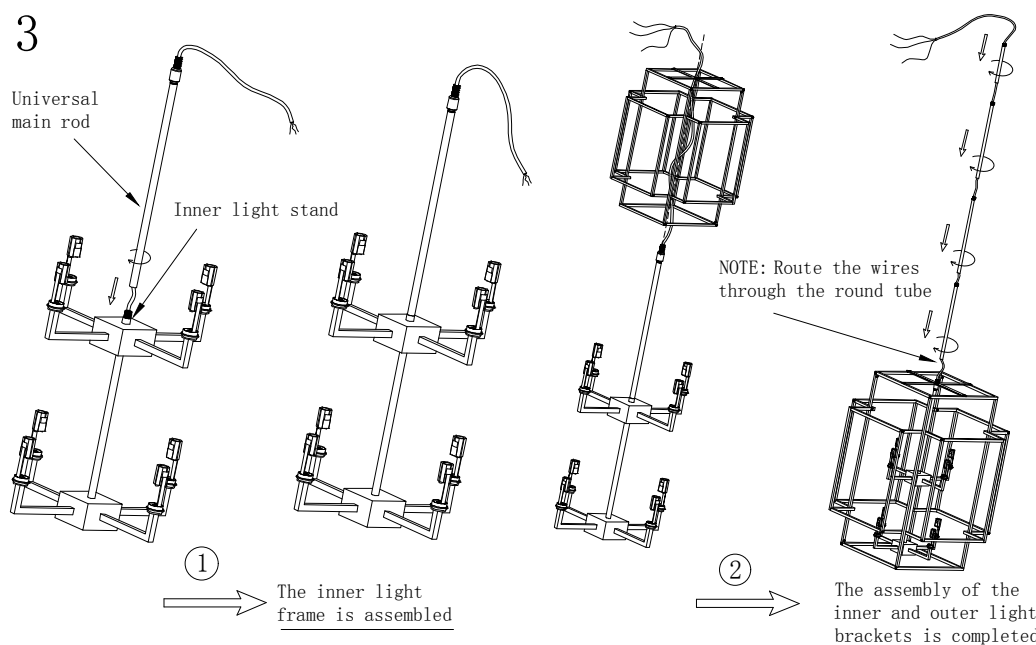
Step description:

- ① 1.Align the slotted plate holes with the 4 side screw holes of the upper frame respectively, and fasten them with screws; 2.Align the socket end of the square tube frame with the 4 square tube positions of the upper frame, respectively, insert them and lock them with screws.
- ② 1.Align the 12.205in square tube with the screw holes on the 4 sides of the square tube frame respectively, and fasten them with screws; 2.Align the four square tube positions of the bottom frame with the socket end of the square tube frame, install and fasten them with screws.

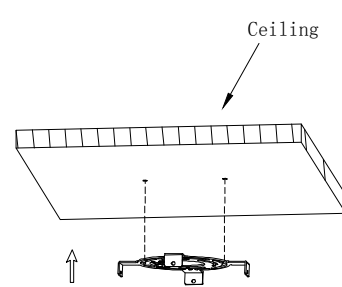
two

Assembly drawing of inner lamp holde

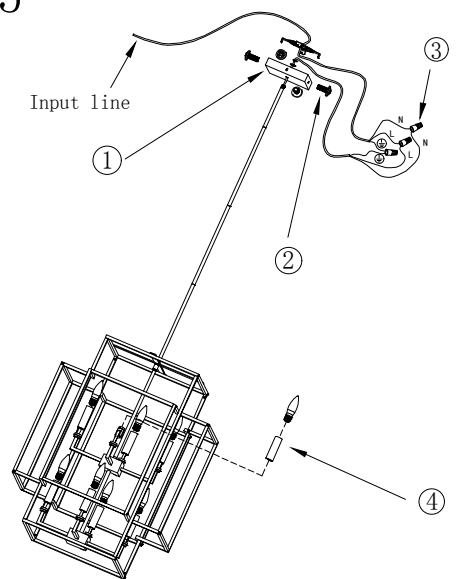
3



4



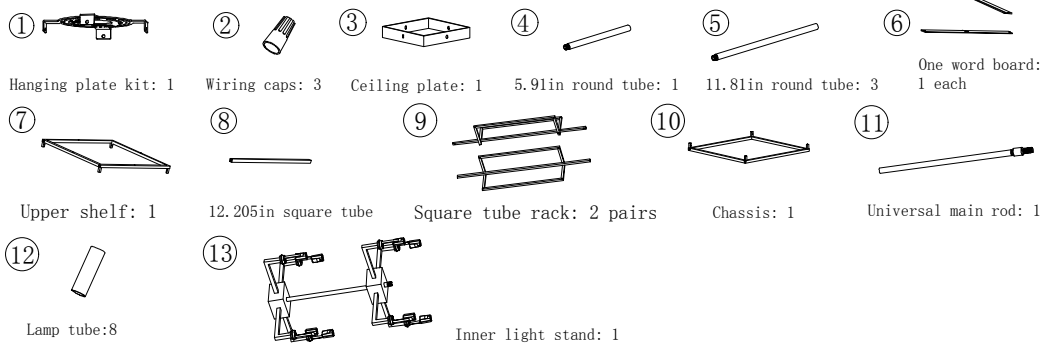
5



Step description:

- ③ 1.Align the universal main rod with the inner lamp holder, and turn it clockwise to lock it.
2.Align the main rod of the inner lamp holder with the top round hole of the outer lamp holder and pass it through, and use the 11.81in round tube to turn it clockwise to lock it; then lock the other round tubes, and install the 5.91in round tube at the end.
- ④ Fasten the siding to the ceiling with screws.
- ⑤ 1:Align the round tube of the lamp body with the round hole of the ceiling plate and lock it by turning it clockwise through the nut.
2:Connect the power cord of the client to the power cord of the lamp body, and do a good job of insulating it.
3:Align the round hole of the ceiling plate of the lamp body with the hanging plate and turn it clockwise to lock it.
4:Put the bulb into the lamp head, then put the bulb into the lamp head and lock it clockwise.

Parts details



Instructions

- 1: Please turn off the main power supply before installing the luminaire, do not work with electricity to avoid the risk of electric shock.
- 2: Wear gloves when installing the luminaire to clean the luminaire to prevent rust.
- 3: When installing glass or fragile accessories, please take it lightly.
- 4: Pay attention to the tool, do not scratch the metal plating surface, otherwise it will affect the appearance and rust.
- 5: After the installation is completed, the mode is good. After leaving, turn on the power and start working.

Precautions

- 1:Do not install the lamp in a wet place such as a bathroom or outdoors.
- 2:Do not install on top of high temperature objects. Do not install them directly above objects such as stoves, gas and exhaust pipes to avoid damage.
- 3:In order to ensure safety, when repairing and inspecting the lamps, please entrust the electrical professional to operate. Non-professional construction is prone to danger.
- 4:When the lamp is abnormal, please cut off the power quickly and ask the professional to check the repair.
- 5:Do not modify or replace the lamp components at will, so as to avoid accidents such as damage, falling, electric shock and fire.

