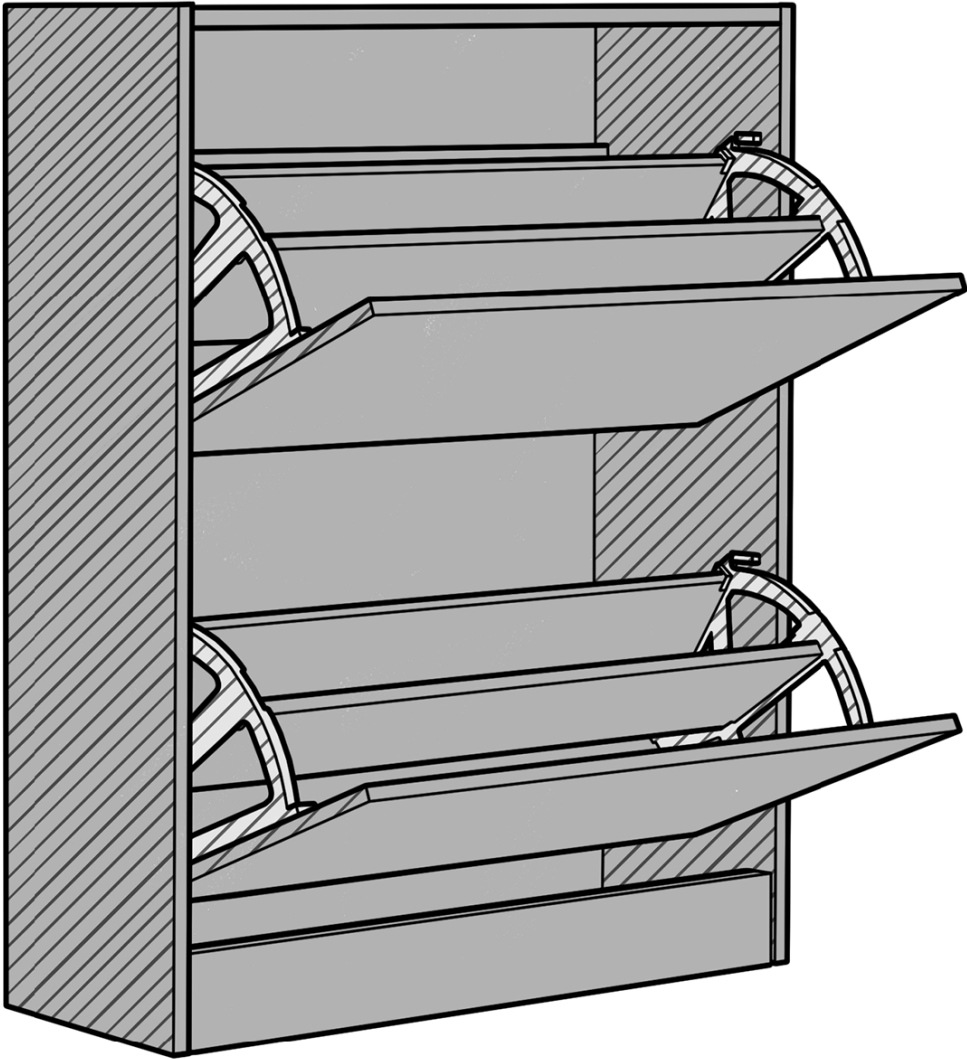
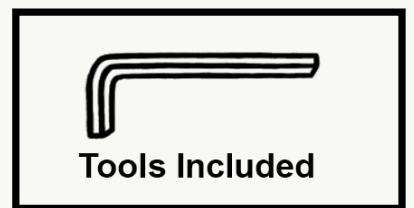
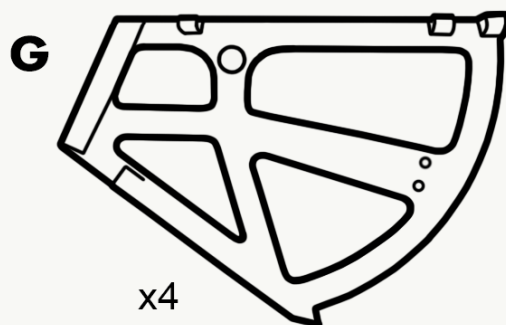
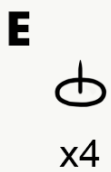
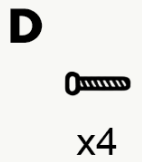
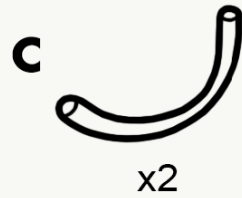
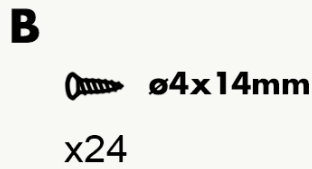
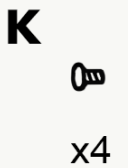
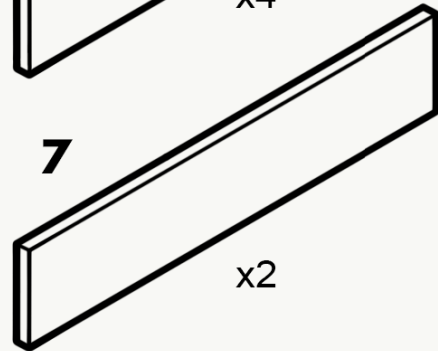
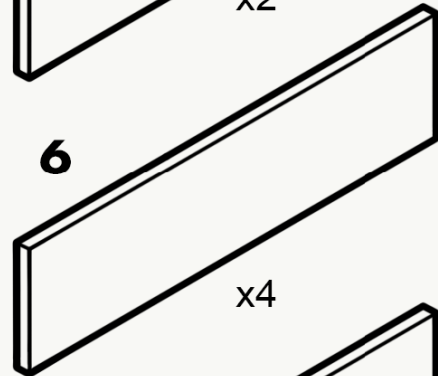
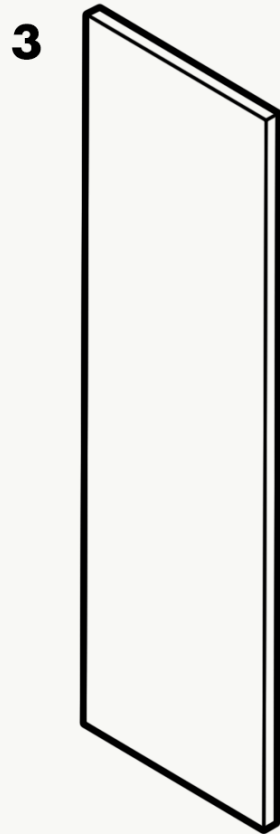
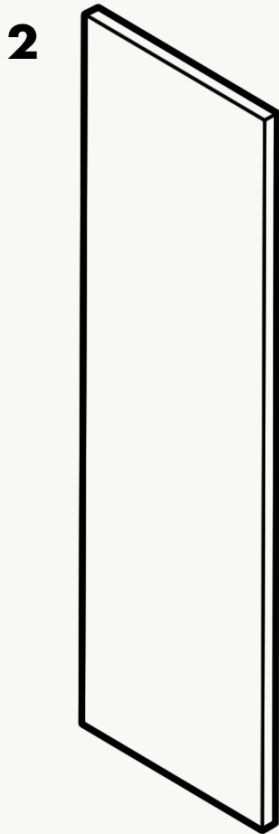
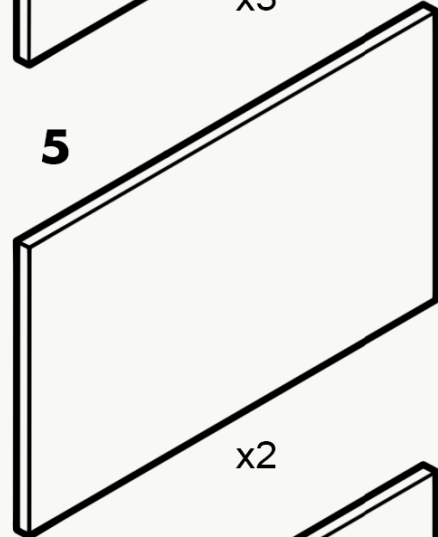
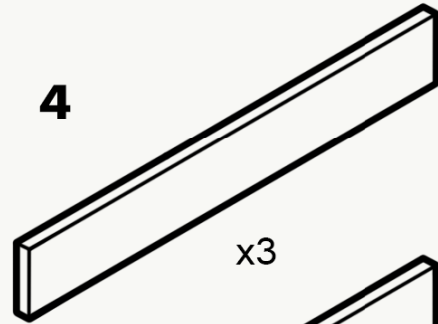
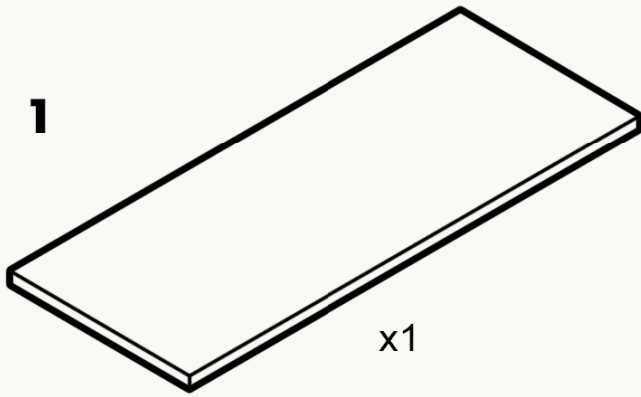


INSTRUCTION MANUAL

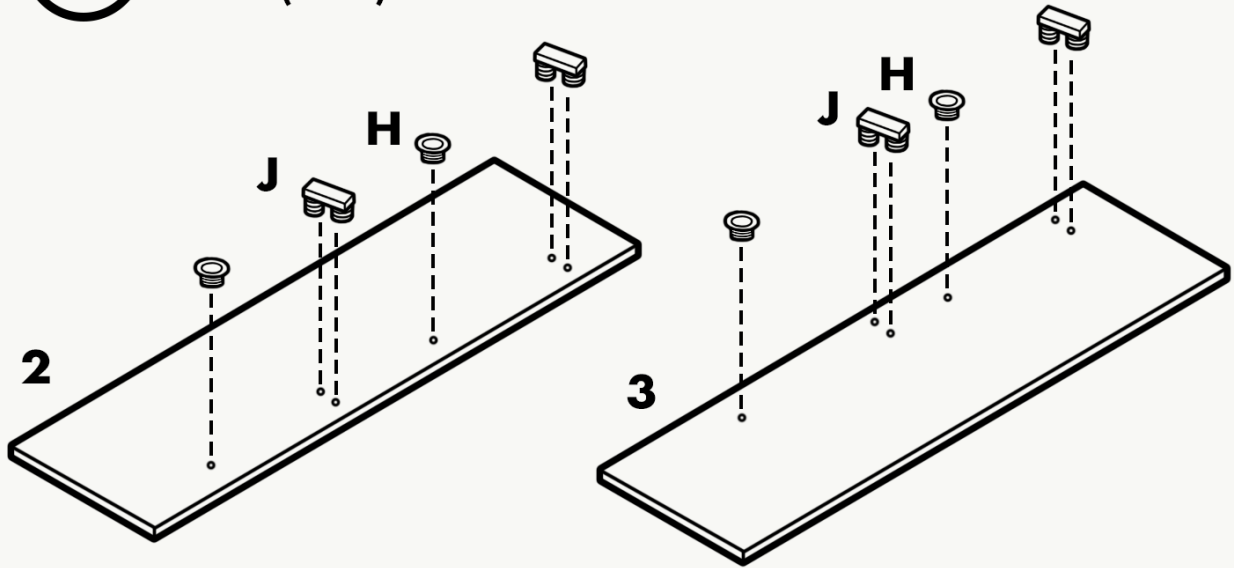


Instructions side 1

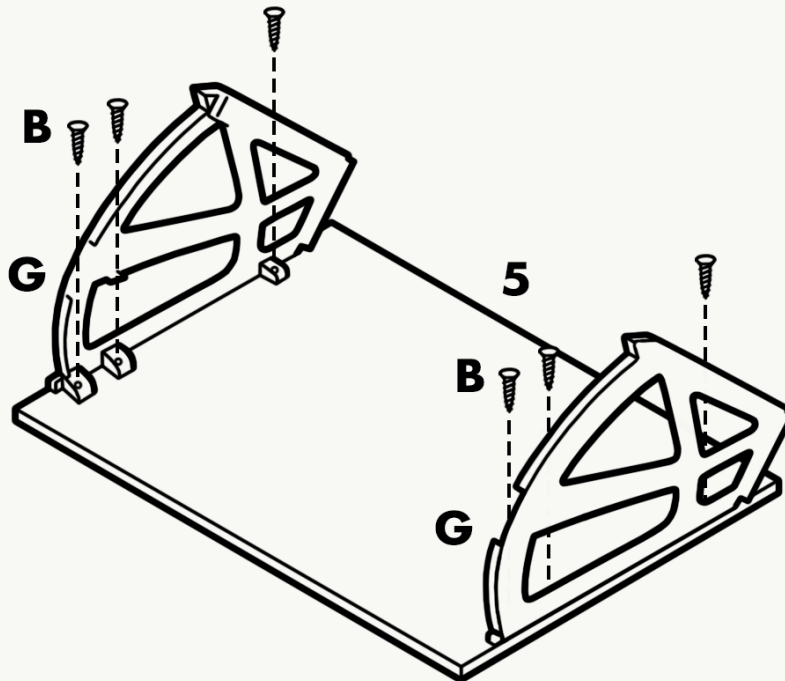
2 people recommended for assembly



1 Hammer axle bases (H) and stoppers (J) into cabinet sides (2&3)



2 Screw drawer brackets (G) into drawer front (5)



Parts needed in step 1:

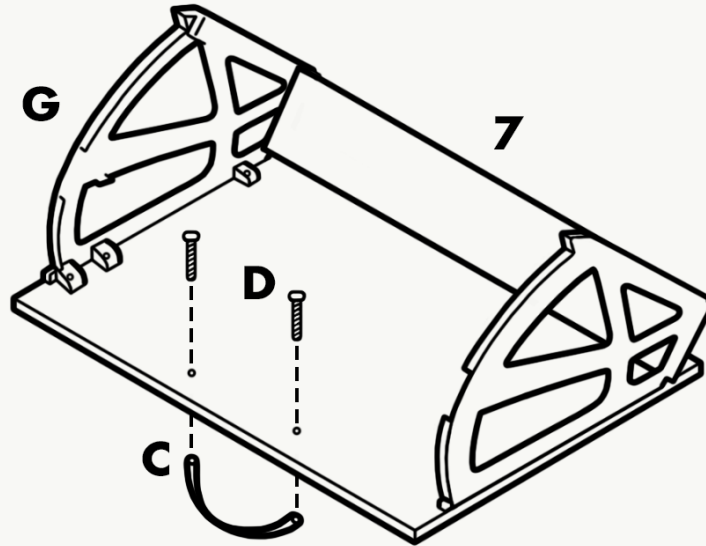
Cabinet sides (2&3)	x1
Axle Bases (H)	x4
Stoppers (J)	x4

Parts needed in step 2:

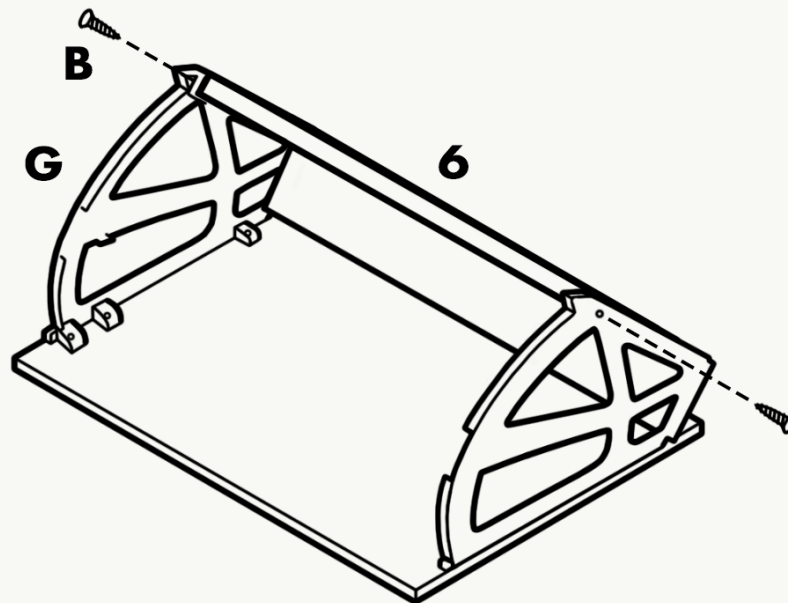
Drawer front (5)	x2
Drawer brackets (G)	x4
Screws (B)	x12

Instructions side 2

- 3** Slide drawer bottom (7) between drawer brackets (G).
Screw handle (C) onto front of drawer front (5)



- 4** Slide drawer shelf (6) between drawer supports (G)



Parts needed for step 3:

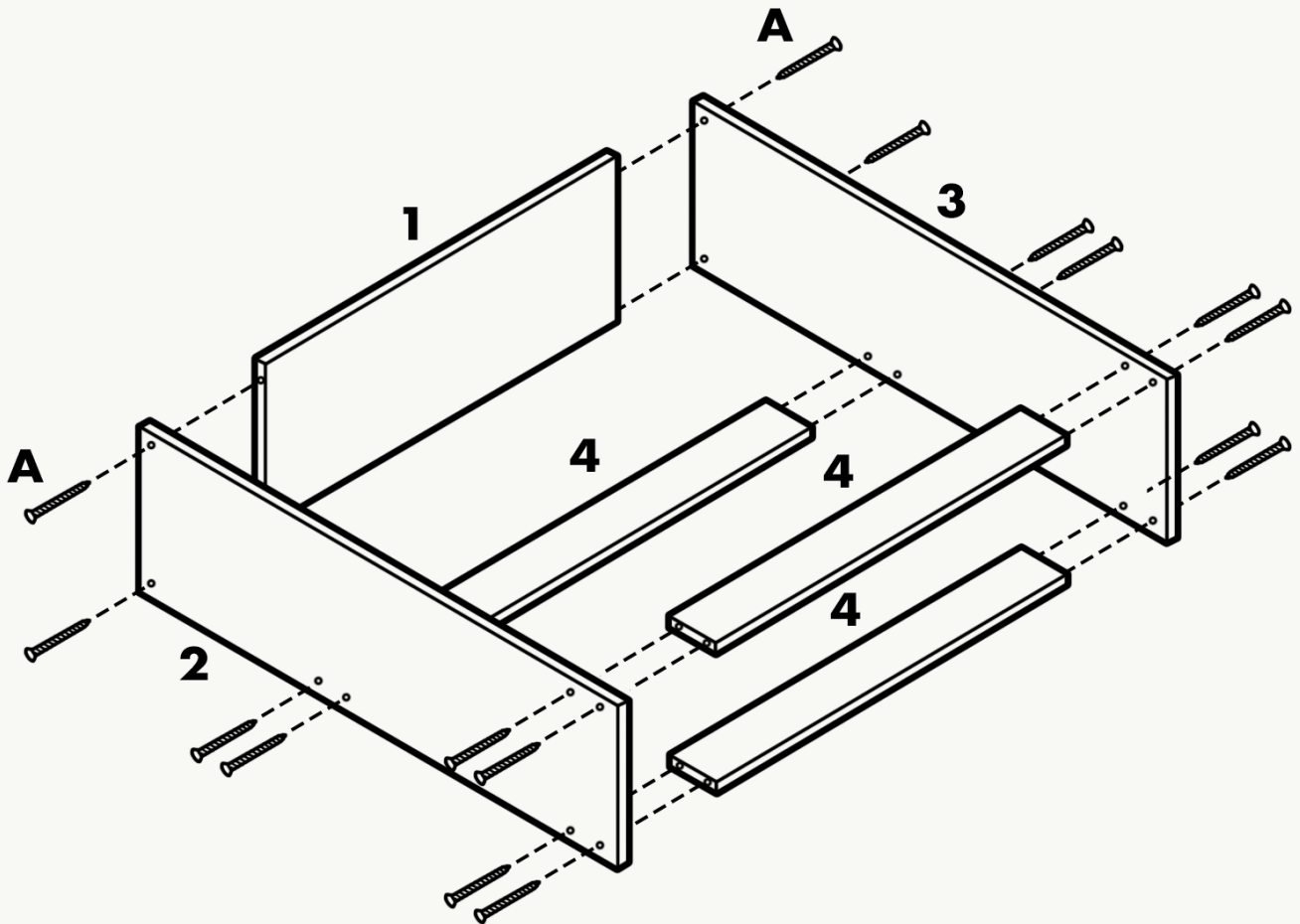
Completed step 2	x2
Drawer bottom (7)	x2
Handle (C)	x2
Screws (D)	x4

Parts needed for step 4:

Completed step 3	x2
Drawer shelf (6)	x2
Screws (B)	x4

5

**Screw cabinet top (1) to cabinet sides (2&3).
Then screw cabinet supports (4) to cabinet sides**



Note: screws may loosen over time and so should be tightened every 3–6 months.

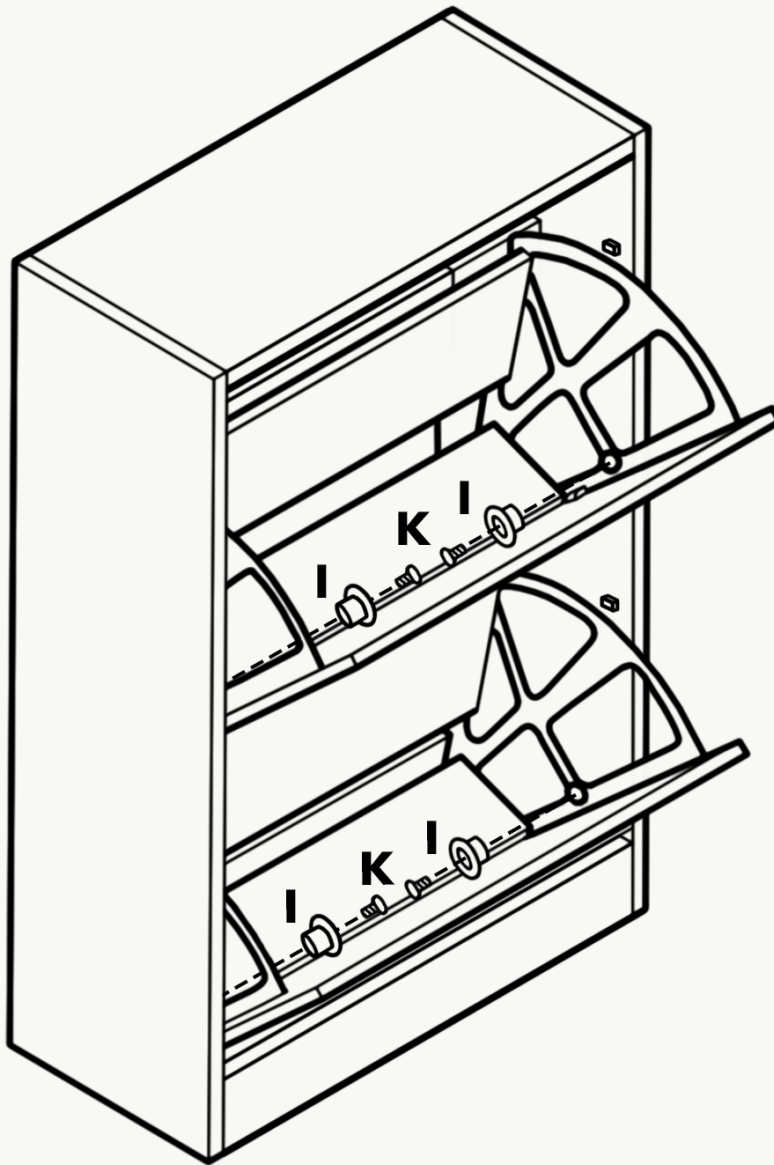
Parts needed for step 5:

Cabinet top (1)	x1
Cabinet sides (2&3)	x1
Cabinet supports (4)	x3

Screws (A)	x16
-------------------	-----

Instructions side 3

- 6** Hold the assembled drawers in position in the cabinet and screw the axles (I) into the axle bases (H)

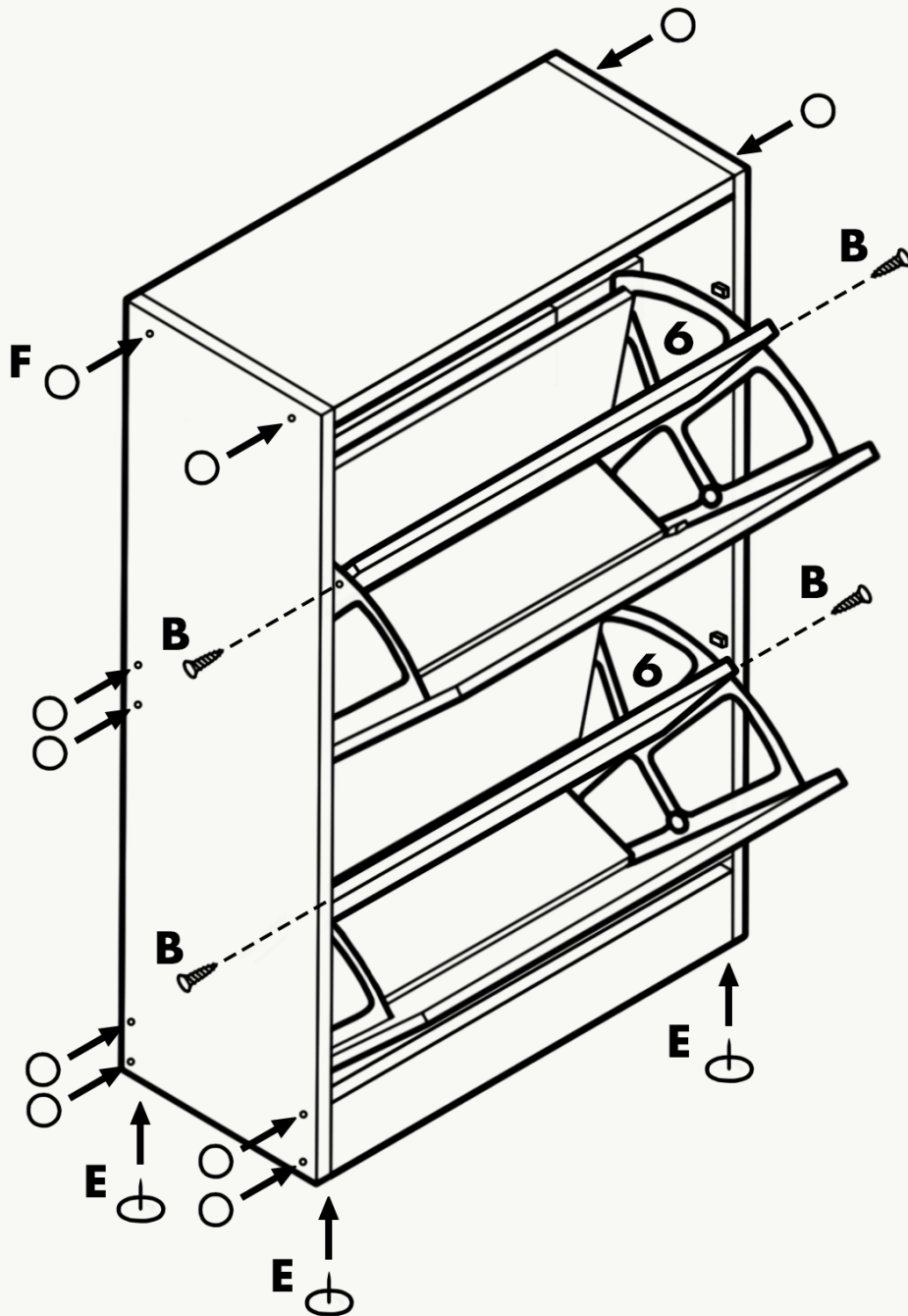


Parts needed for step 6:

Completed step 4	x2	Screws (K)	x4
Completed step 5	x1		
Axles (I)	x3		

7

**Screw drawer shelf (6) into drawer brackets (G).
Stick covers (F) onto screws. Attach feet (E)
underneath cabinet sides (2&3)**



Parts needed for step 7:

Completed step 6	x1	Covers (F)	x16
Drawer shelf (6)	x2	Feet (E)	x4
Screws (B)	x4		