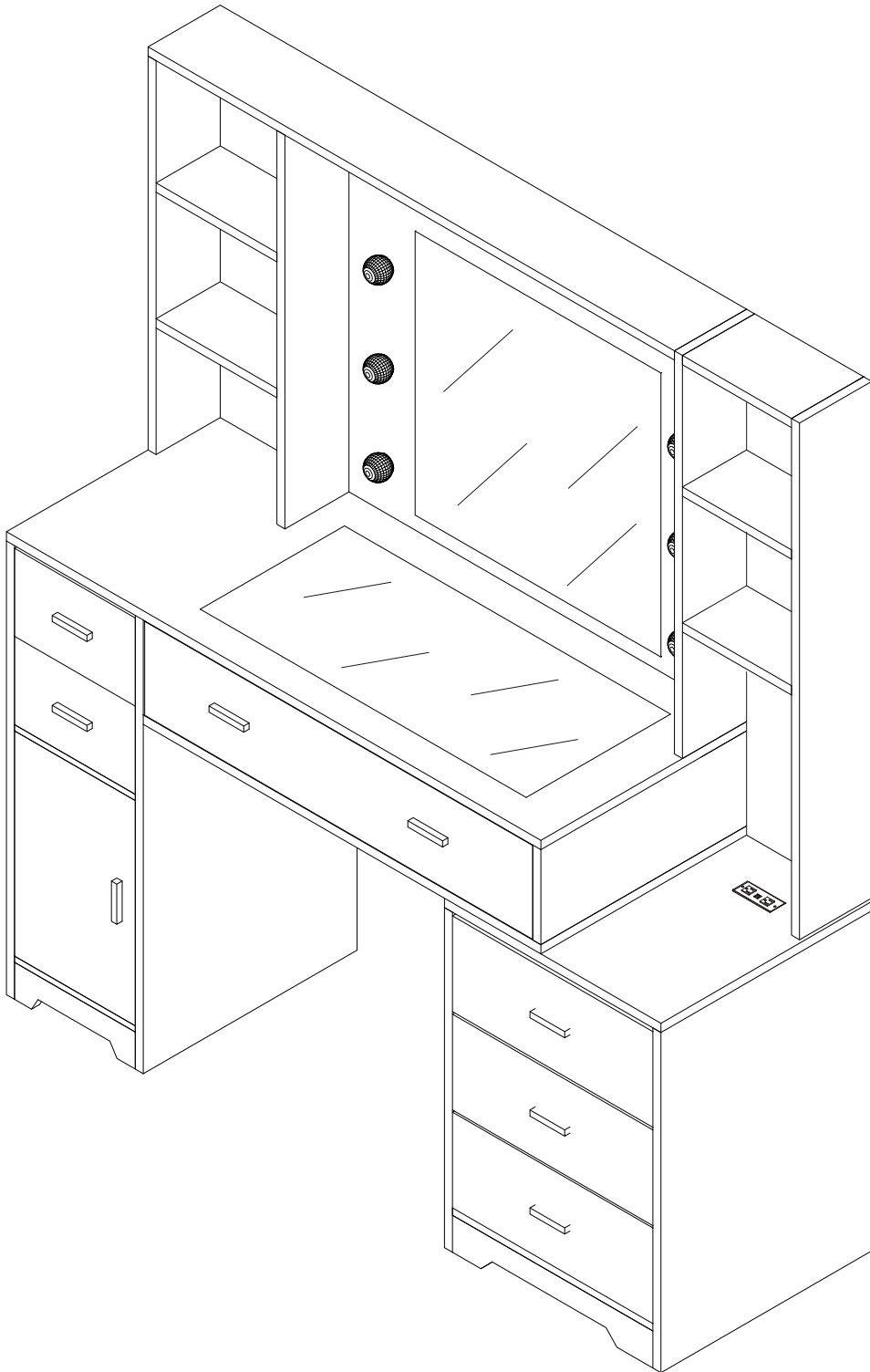
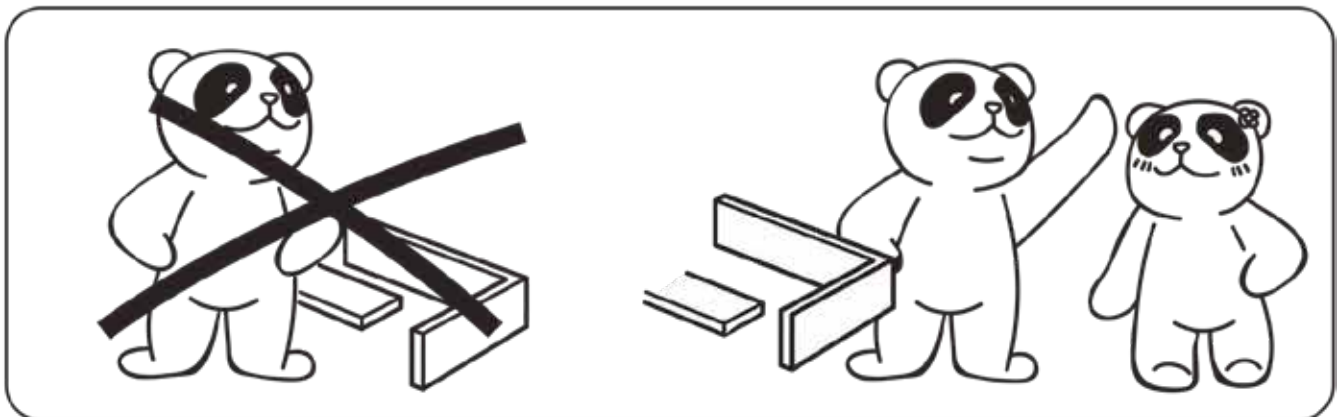
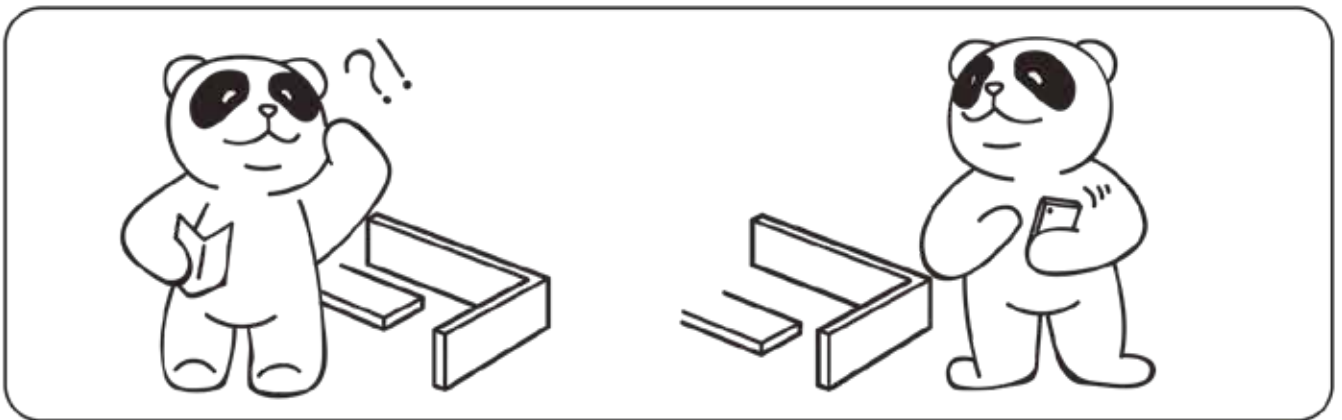
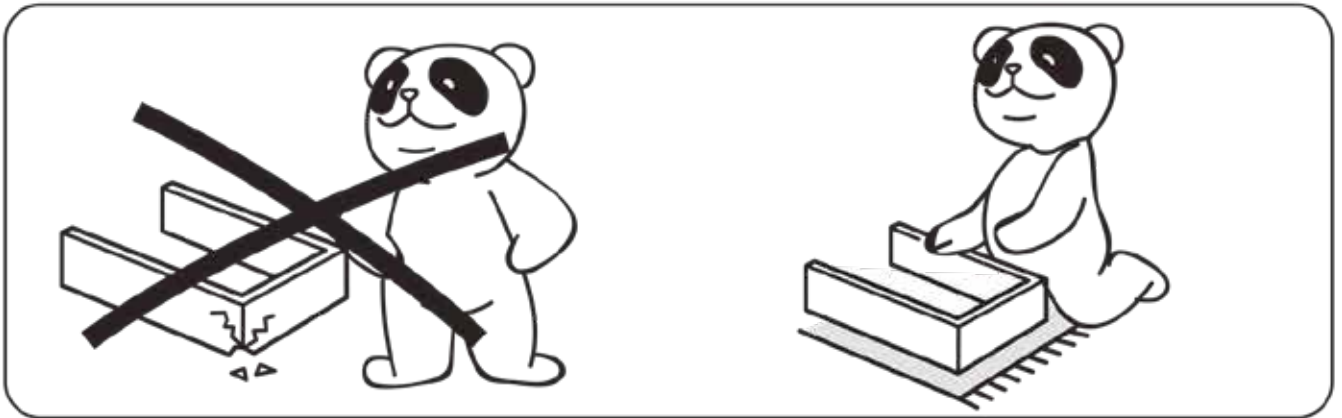
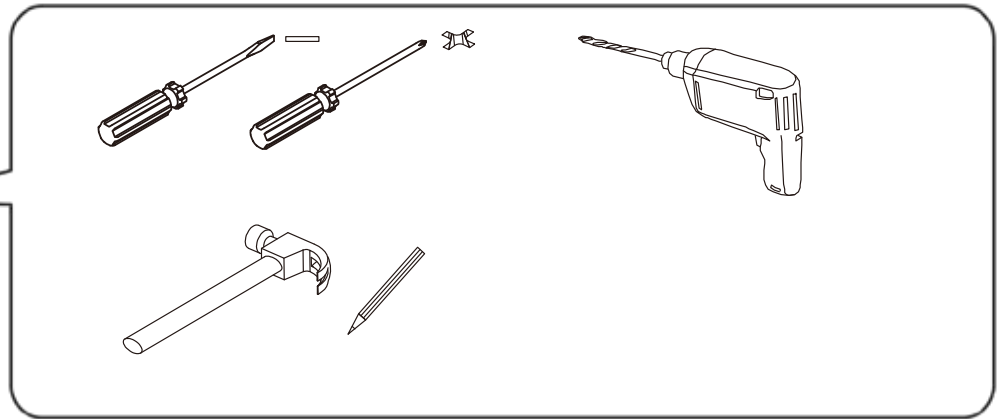


User Manual

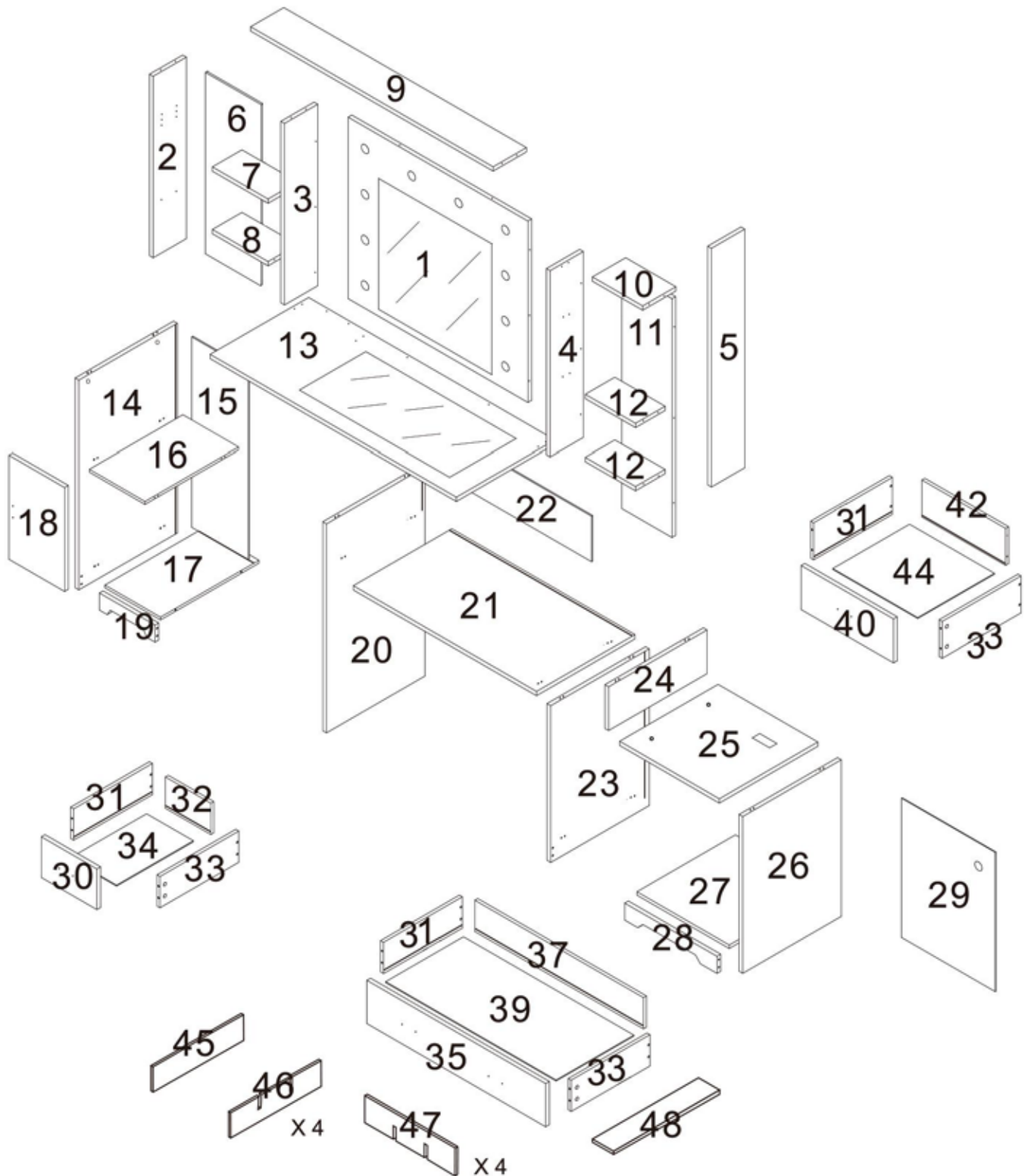





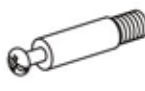




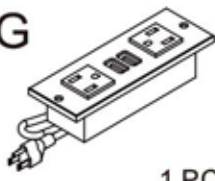







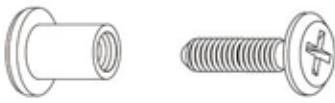



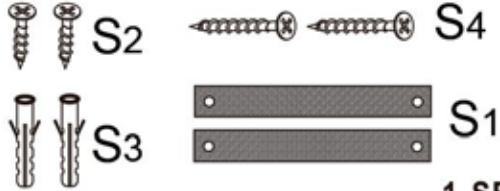
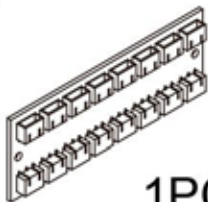


INTRODUCTION

Thank you for purchasing our products. Committed to providing customers with the best quality products and service has always been our lifelong goal. Before using the product, please read this instruction manual carefully to ensure correct use. Keep the instruction manual in a place where the user can find it at any time.




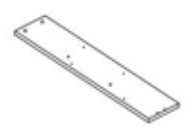








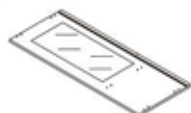






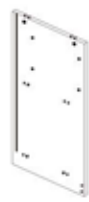




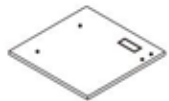




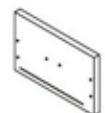
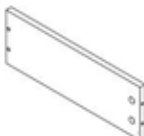


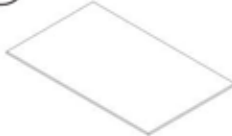



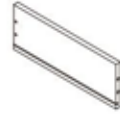
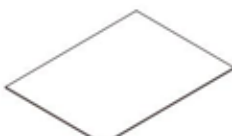
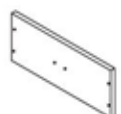
PANEL LAYOUT



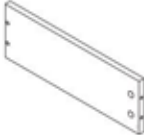



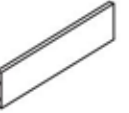
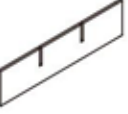


HARDWARE LIST

<p>A</p>  <p>101+2PCS</p>	<p>B</p>  <p>101+2PCS</p>	<p>C</p>  <p>M4X12MM 8+1PCS</p>	<p>D</p>  <p>M4X8MM 48+2PCS</p>	<p>E</p>  <p>M4X35MM 27+2PCS</p>
<p>F</p>  <p>M8X30MM 38+2PCS</p>	<p>G</p>  <p>1 PCS</p>	<p>H</p>  <p>16+1PCS</p>	<p>I</p>  <p>M4X16MM 16+1 PCS</p>	<p>J</p>  <p>8 PCS</p>
<p>K</p>  <p>1 PC</p>	<p>L</p>  <p>6PCS</p>	<p>M</p>  <p>M = M1 + M2</p> <p>x12 x12 x12 x12</p>		
<p>N</p>  <p>2 PCS</p>	<p>O</p>  <p>2 PCS</p>		<p>P</p>  <p>X 10</p>	<p>Q</p>  <p>4 PCS</p>
<p>R</p>  <p>1 PC</p>	<p>S</p>  <p>S2 S4 S3 S1</p> <p>1 SET</p>		<p>T</p>  <p>1PC</p>	<p>U</p>  <p>1PC</p>
<p>V</p>  <p>M4X20MM 16+1PCS</p>				

PARTS LIST

①  1PC	②  1PC	③  1PC	④  1PCS	⑤  1PCS
⑥  1PC	⑦  1PC	⑧  1PC	⑨  1PC	⑩  1PCS
⑪  1PCS	⑫  1PC	⑬  1PC	⑭  1PC	⑮  1PC
⑯  1PC	⑰  1PC	⑱  1PC	⑲  1PC	⑳  1PC
㉑  1PCS	㉒  1PCS	㉓  1PC	㉔  1PC	㉕  1PCS
㉖  1PCS	㉗  1PCS	㉘  1PCS	㉙  1PCS	㉚  2PCS
㉛  2PCS	㉜  2PCS	㉝  2PC	㉞  2PC	㉟  1PCS
㉛  1PCS	㉟  1PCS	㉛  1PC	㉟  1PC	㉟  3PCS

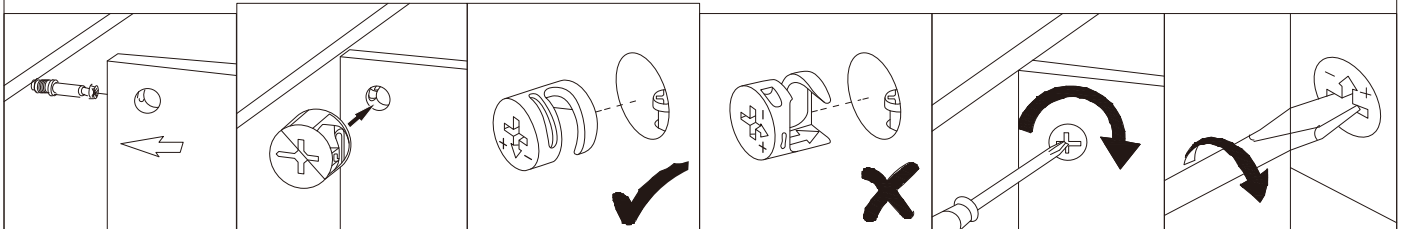
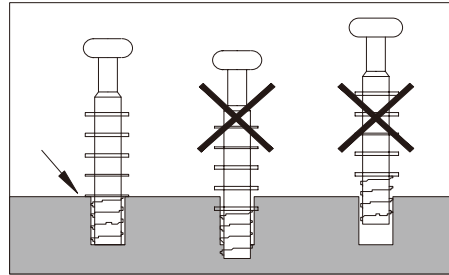
PARTS LIST

<p>31</p>  <p>3PC</p>	<p>42</p>  <p>3PC</p>	<p>33</p>  <p>3PC</p>	<p>44</p>  <p>3PCS</p>	<p>45</p>  <p>1PCS</p>
<p>46</p>  <p>4PC</p>	<p>47</p>  <p>4PC</p>	<p>48</p>  <p>1PC</p>		

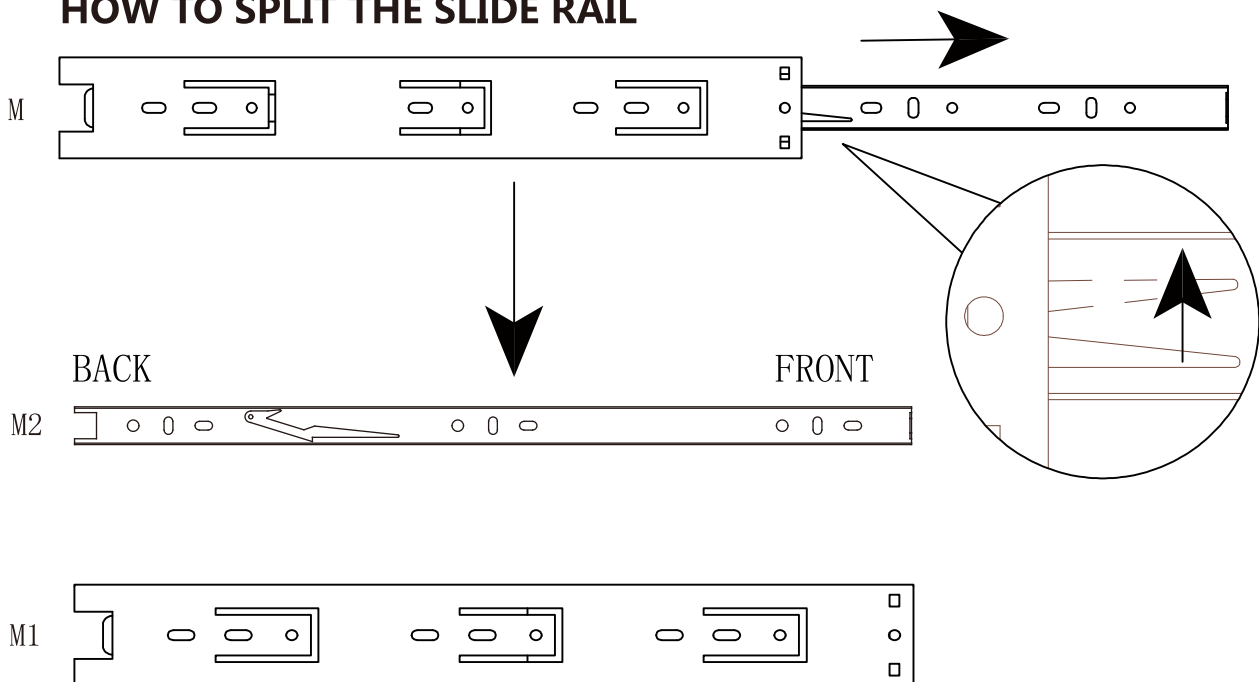
Tips

1. When installing the product, use a soft surface (such as carpet or cardboard) to avoid scratching or damaging the surface of the product.
2. Please try to use a manual screwdriver instead of electric screw driver. A manual screw driver can be used to better control the tightness of the screws.
3. Do not use any glue.
4. The product is unstable before it is assembled. Please pay attention to the product installation sequence, and align all screws and screw holes before tightening.
5. The structure of this product can not meet the requirements of children climbing.

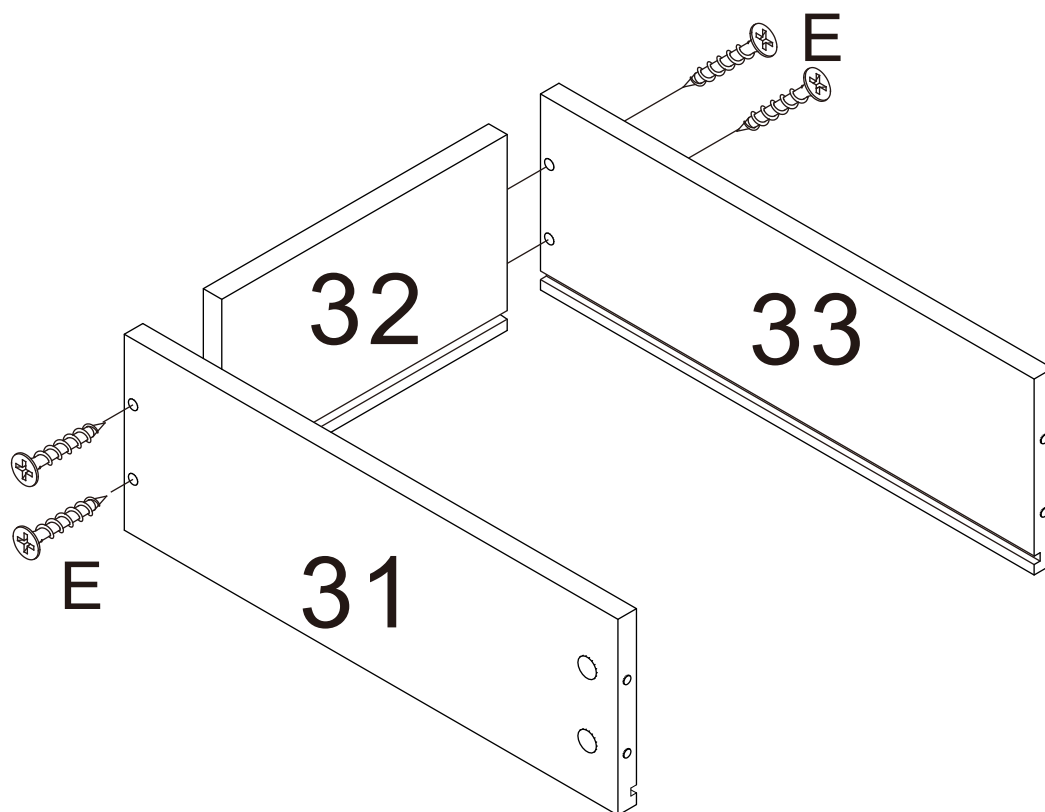
Installation method of three in one rod and buckle



HOW TO SPLIT THE SLIDE RAIL

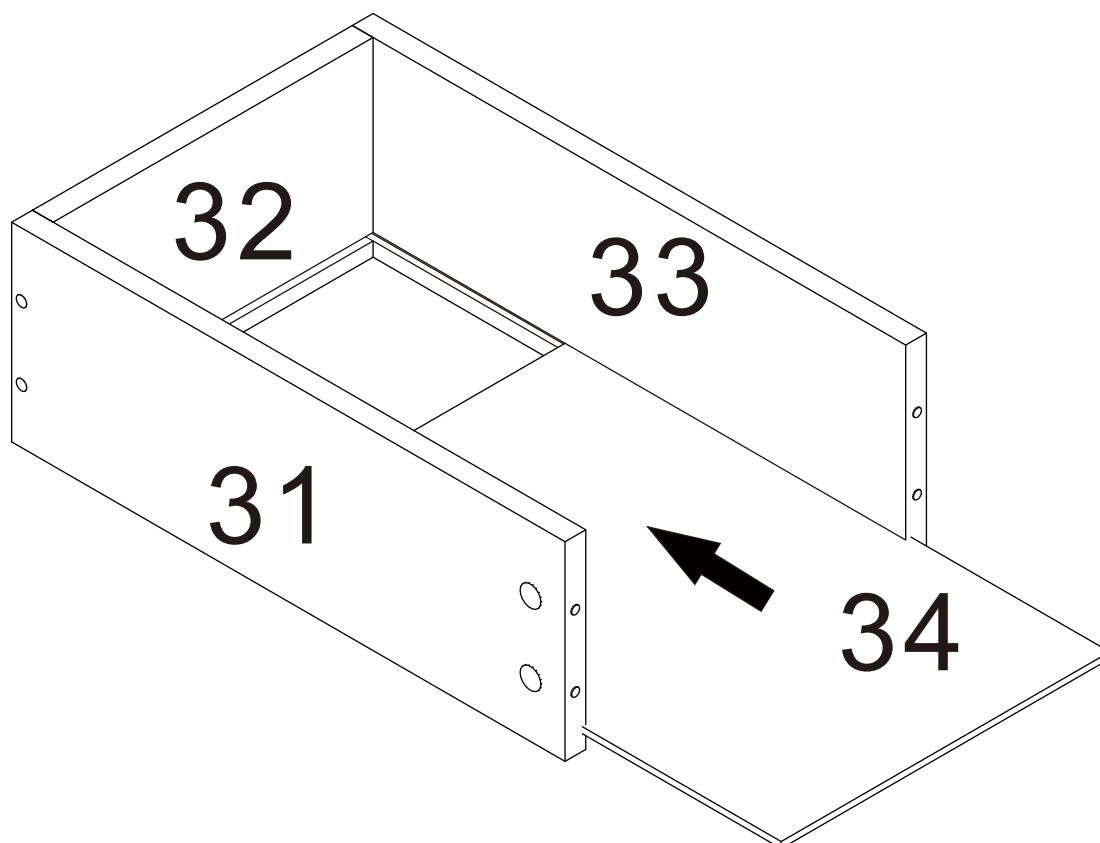


STEP 1



X 2

STEP 2



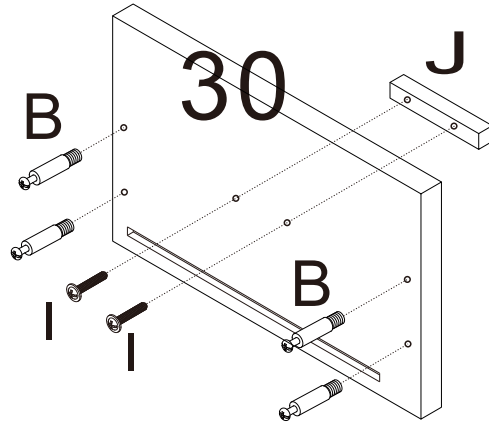
X 2

STEP 3

Bx8

I x4

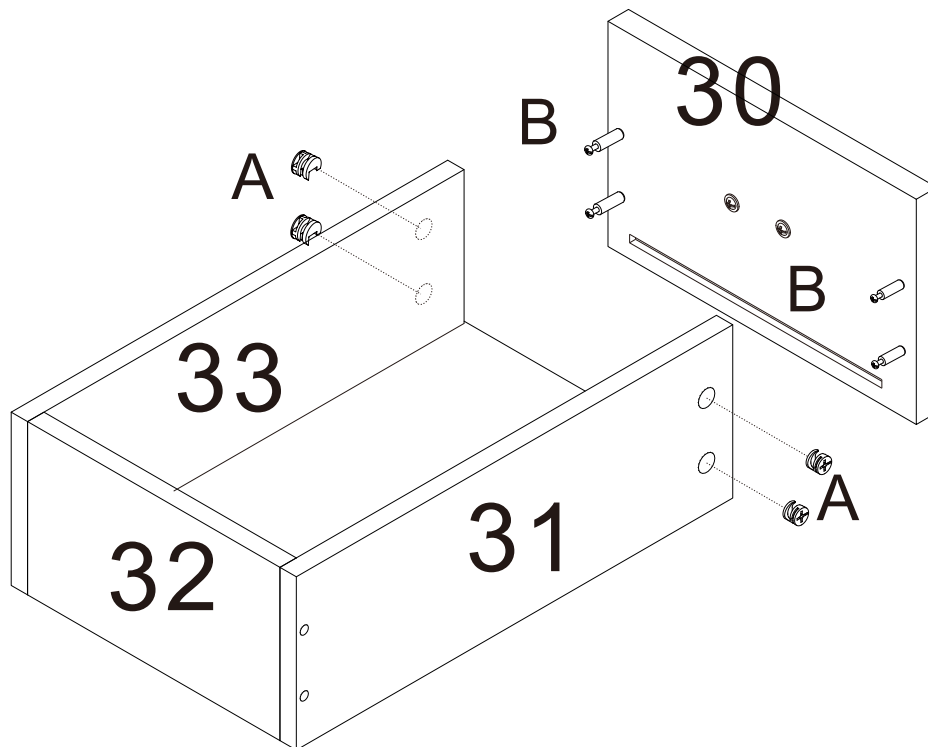
J x2



X 2

STEP 4

Ax8

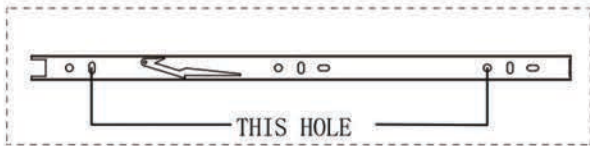
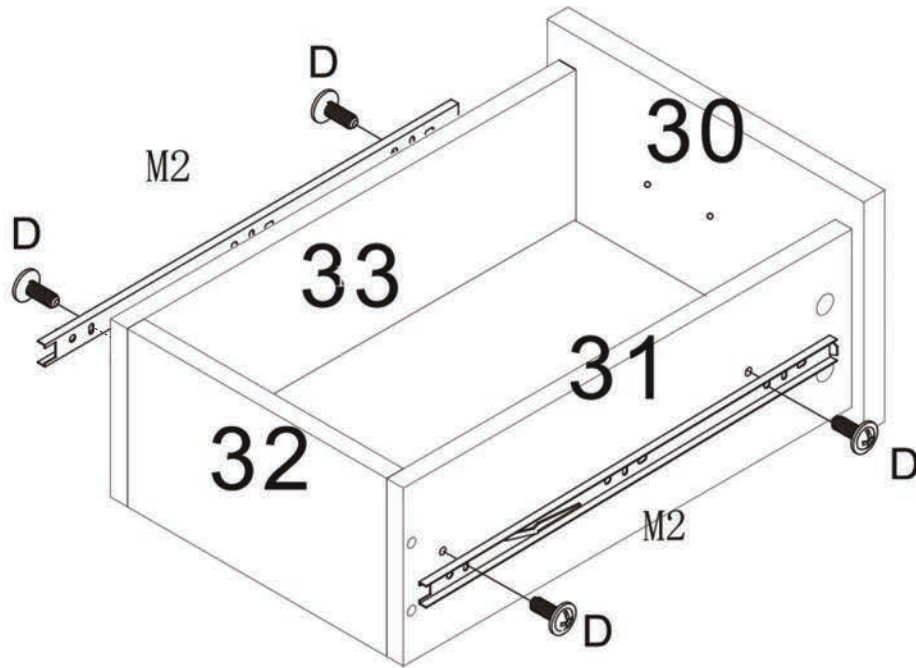


X 2

STEP 5

D x8

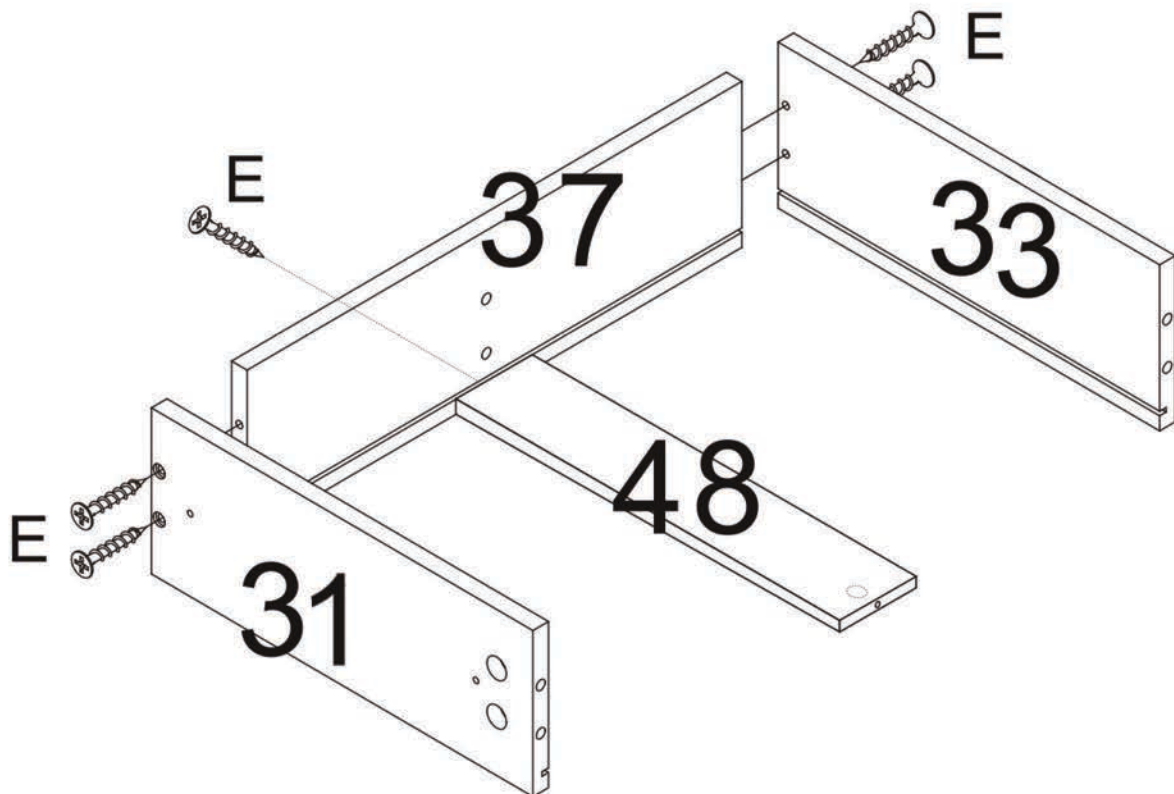
M2x4



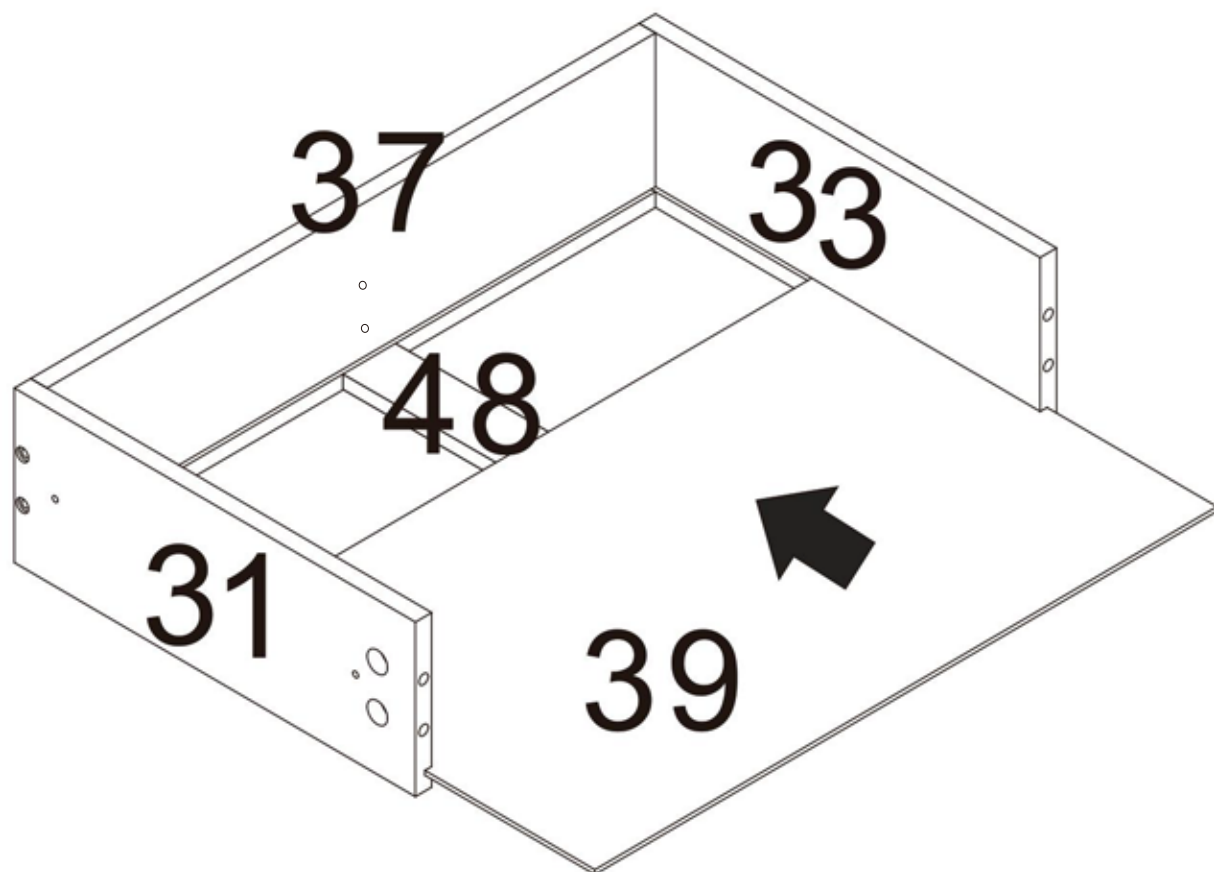
X 2

STEP 6

Ex5

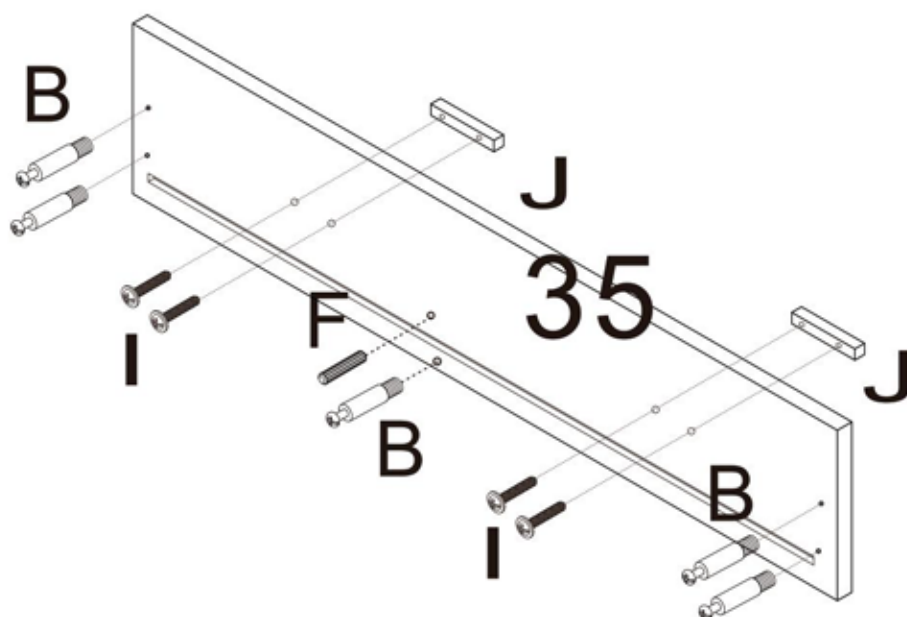


STEP 7

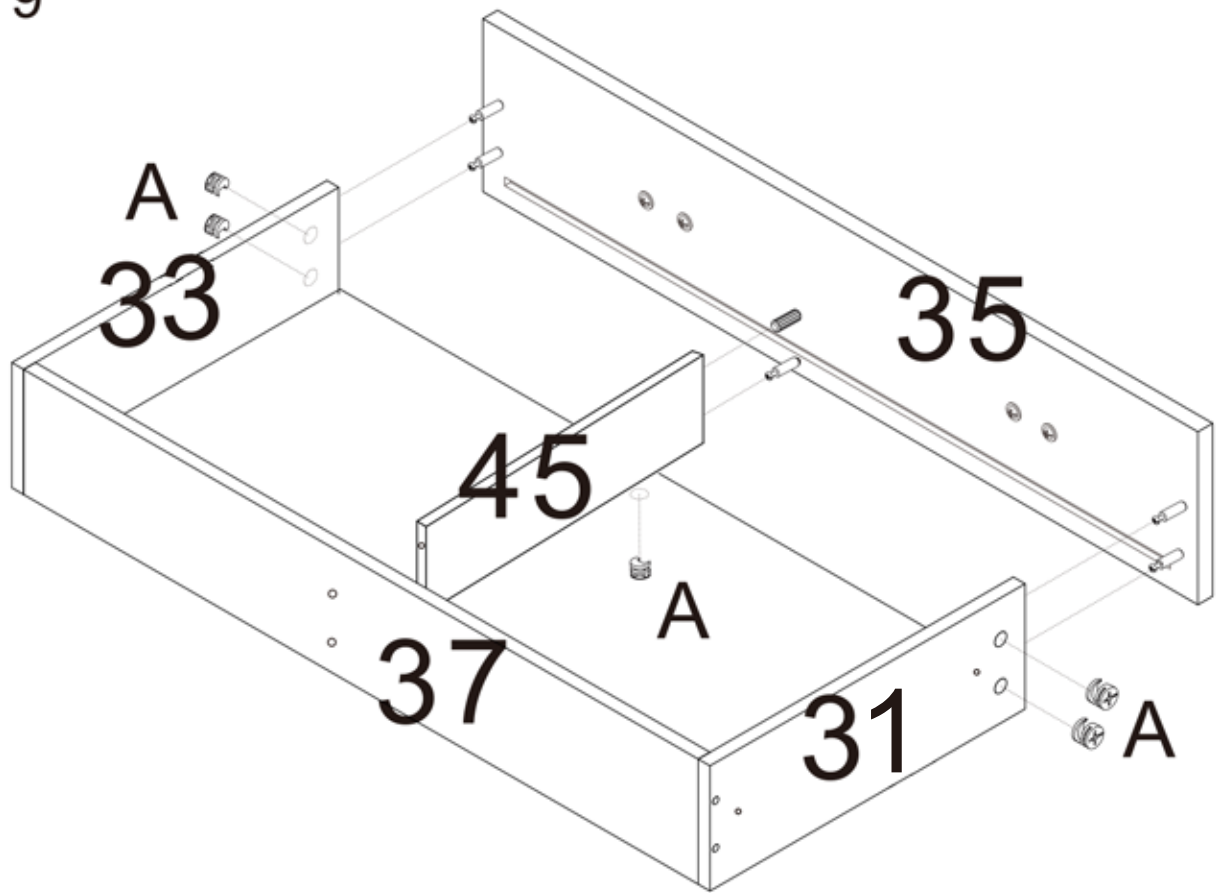


STEP 8

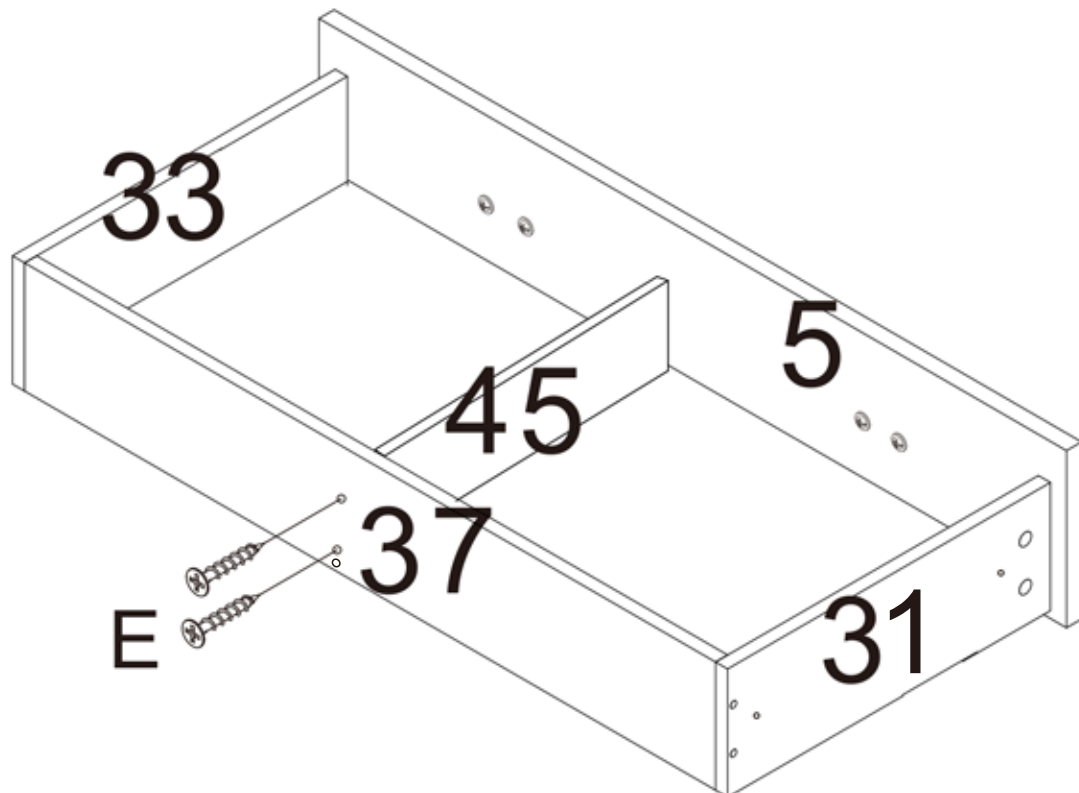
Bx5
Fx1
I x4
J x2



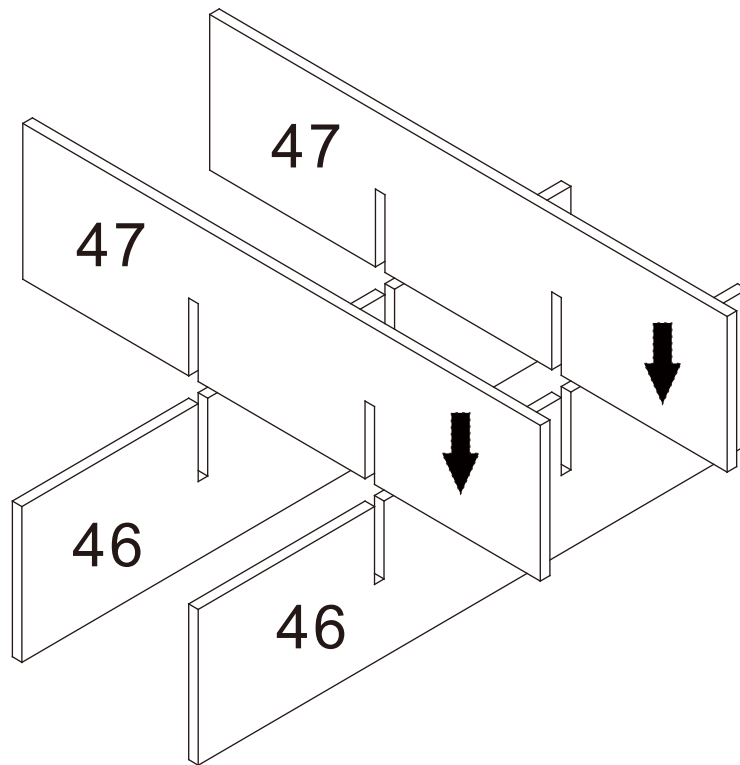
STEP 9



STEP 10



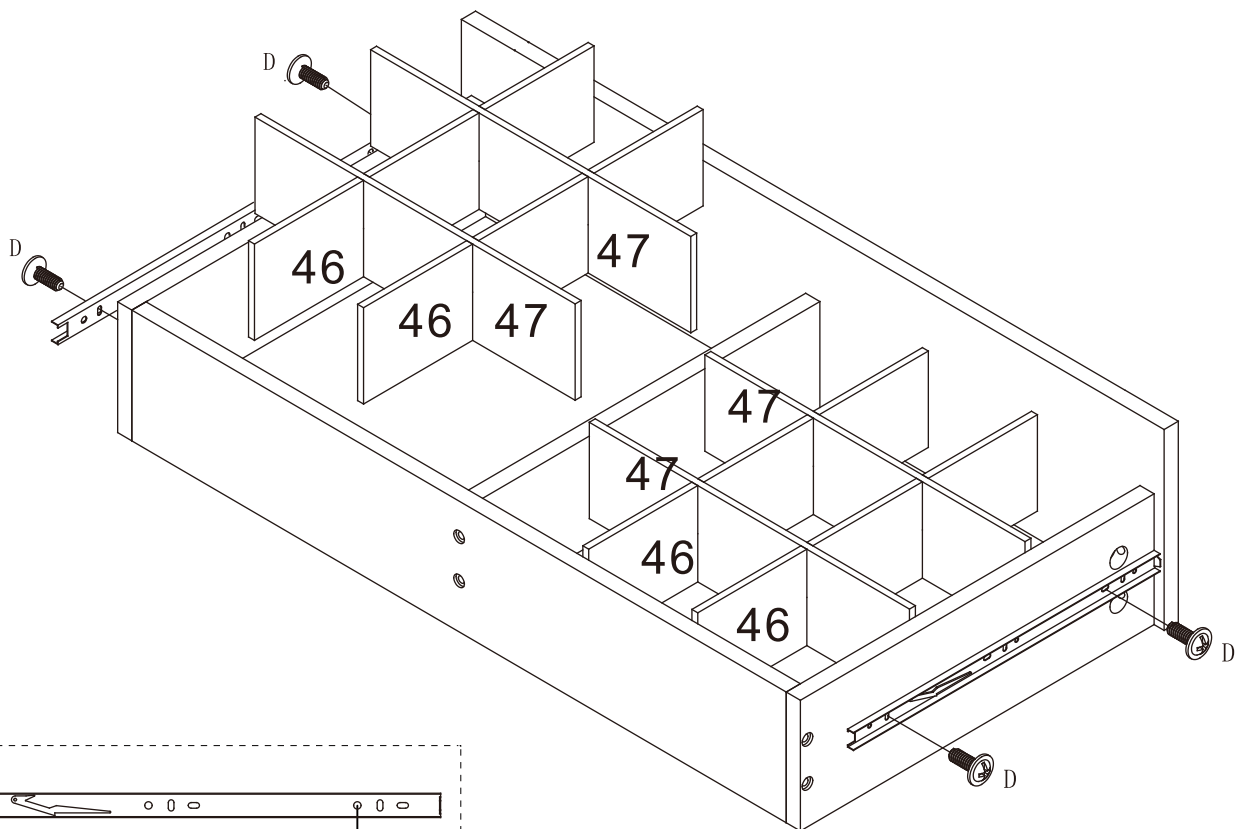
STEP 11



X 2

STEP 12

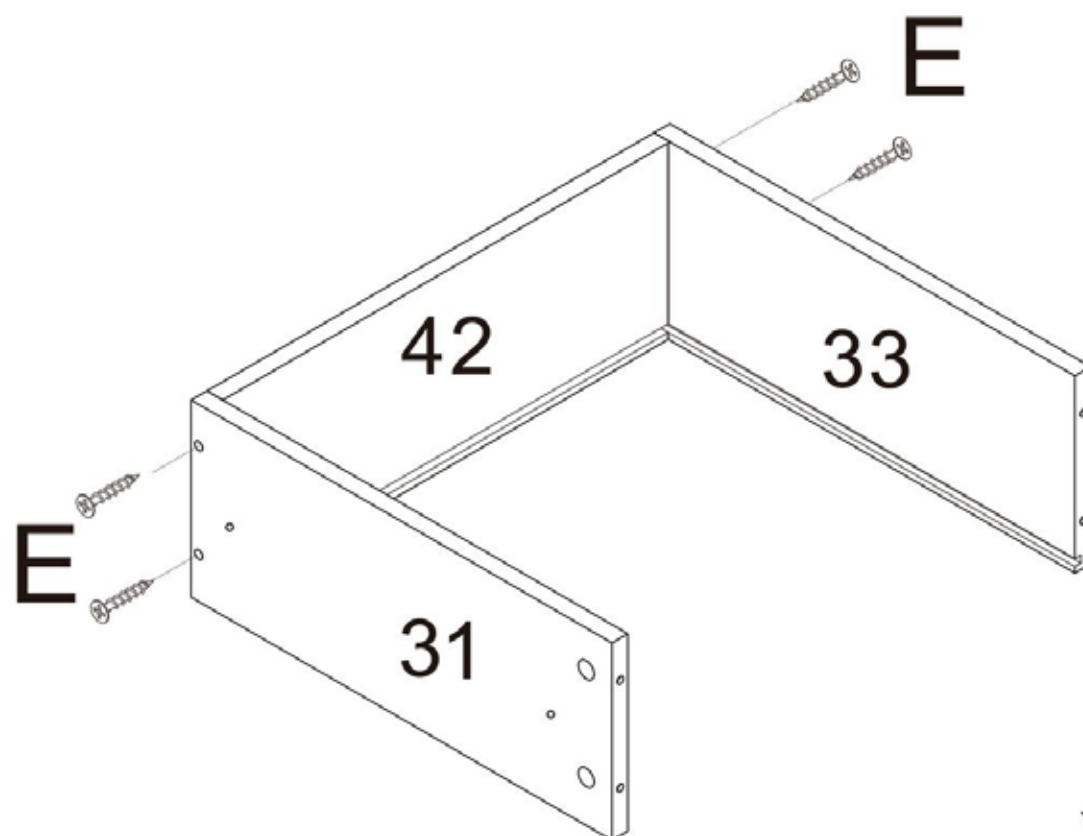
D x4
M2x2



THIS HOLE

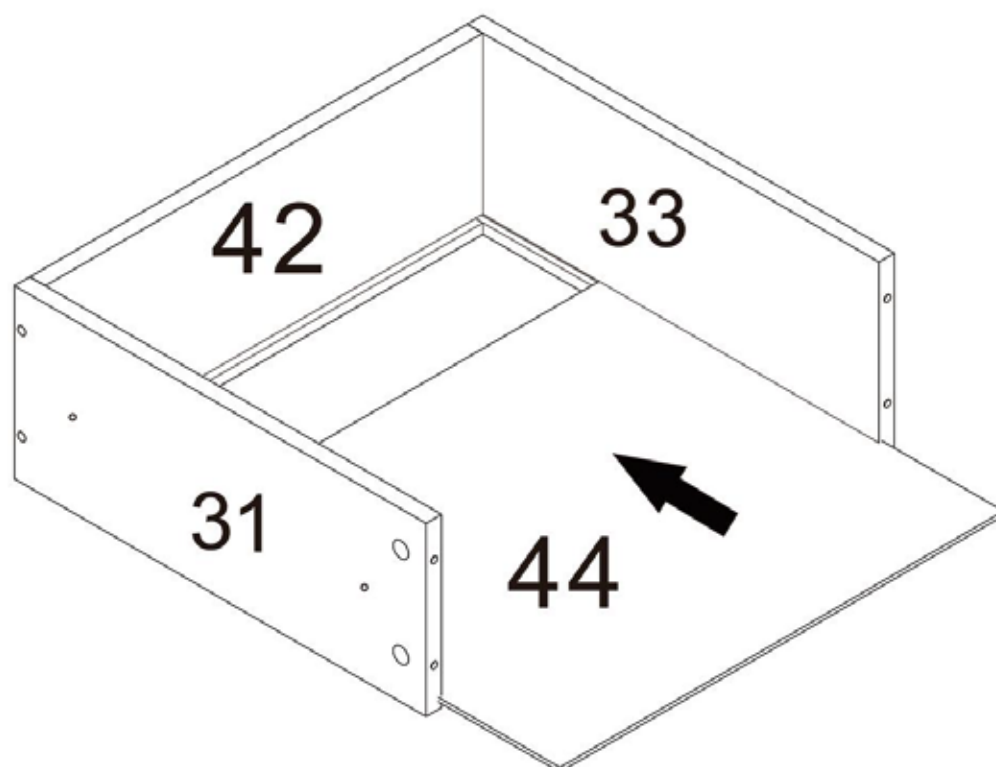
STEP 13

Ex12



X 3

STEP 14



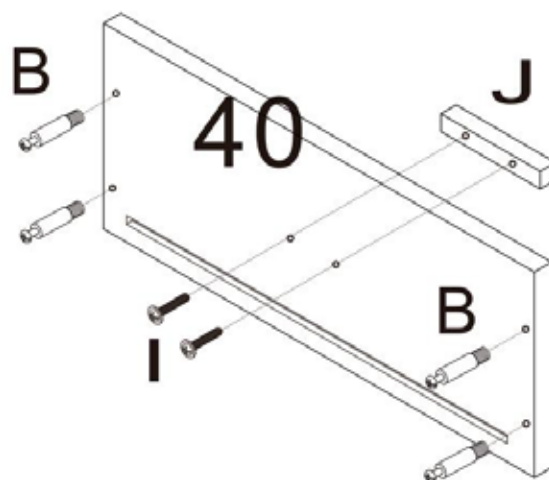
X 3

STEP 15

Bx12

I x6

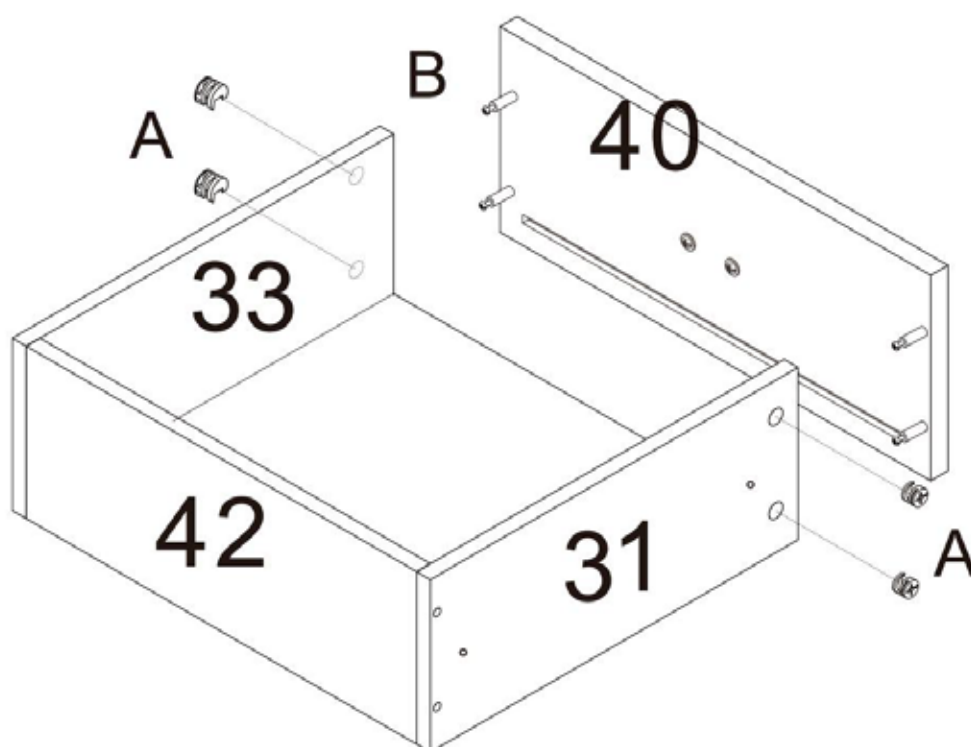
J x3



X 3

STEP 16

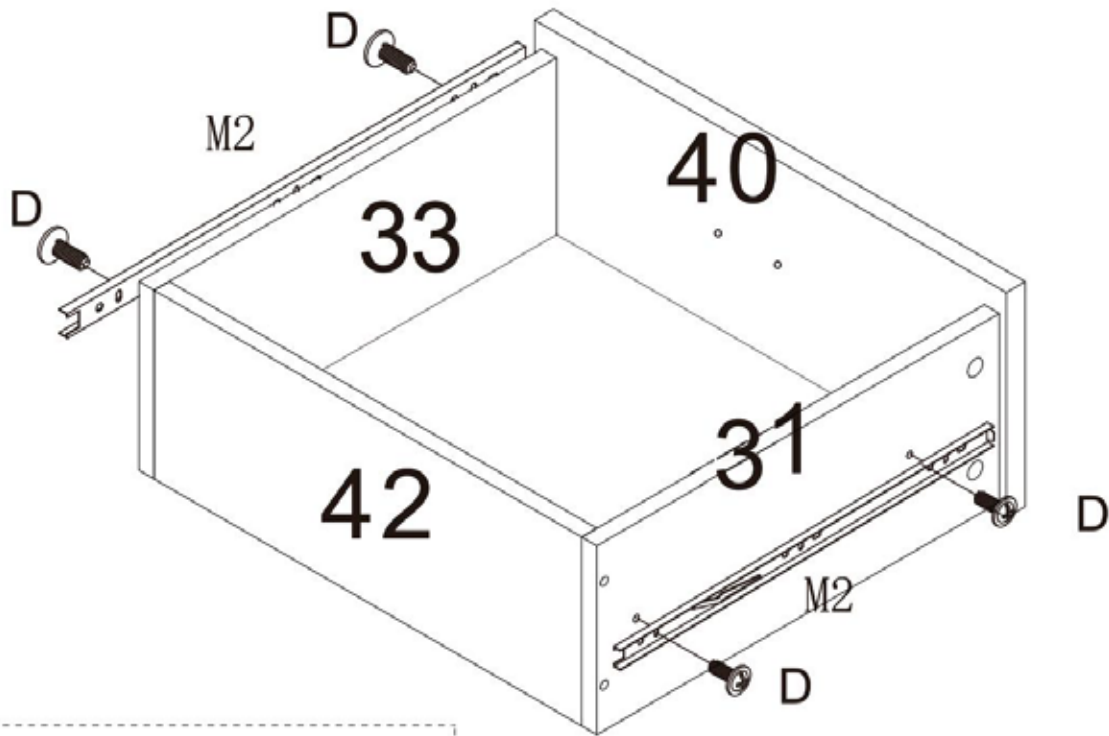
Ax12



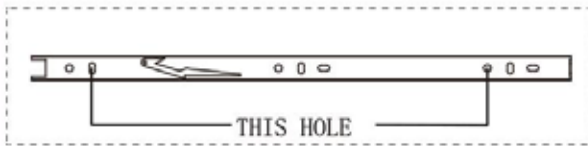
X 3

STEP 17

D x12
M2x6

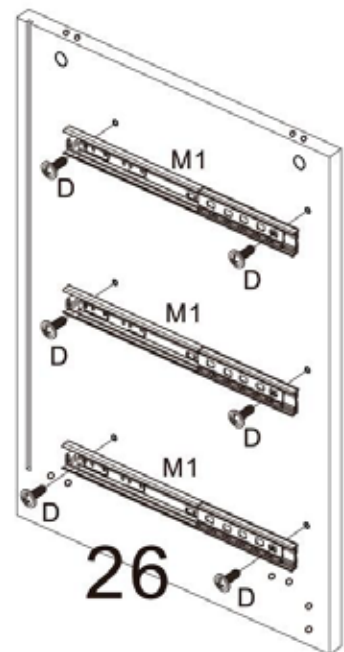
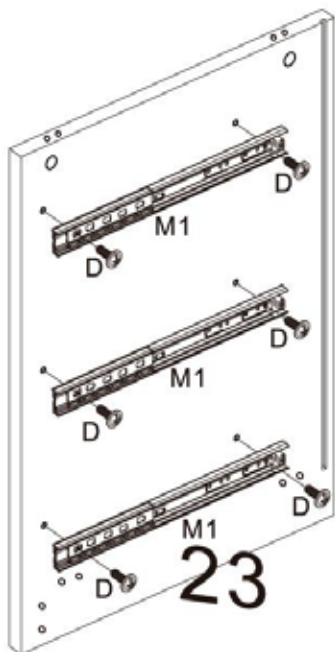
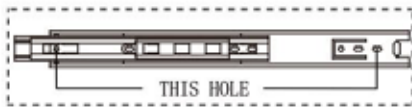


X 3



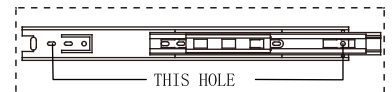
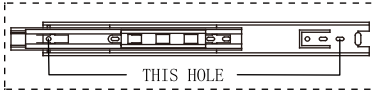
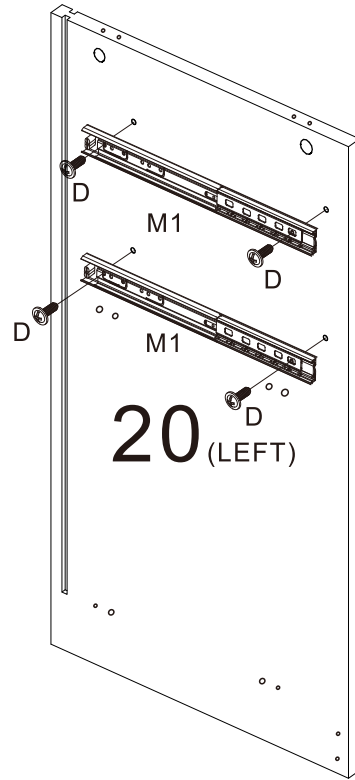
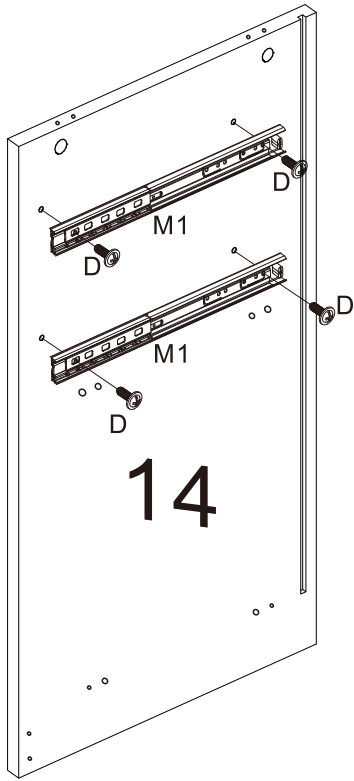
STEP 18

Dx12
M1x6



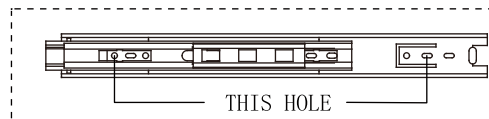
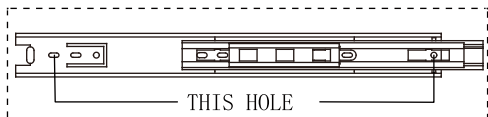
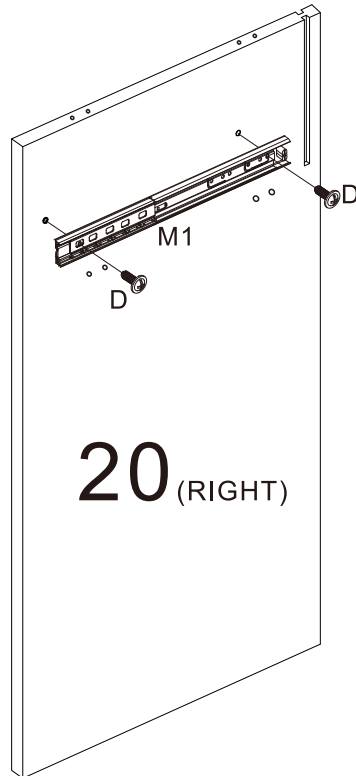
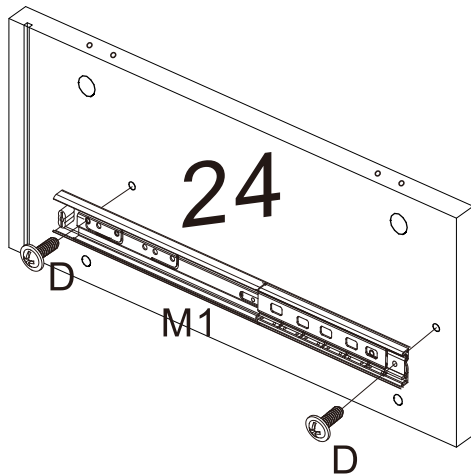
STEP 19

Dx8
M1x4



STEP 20

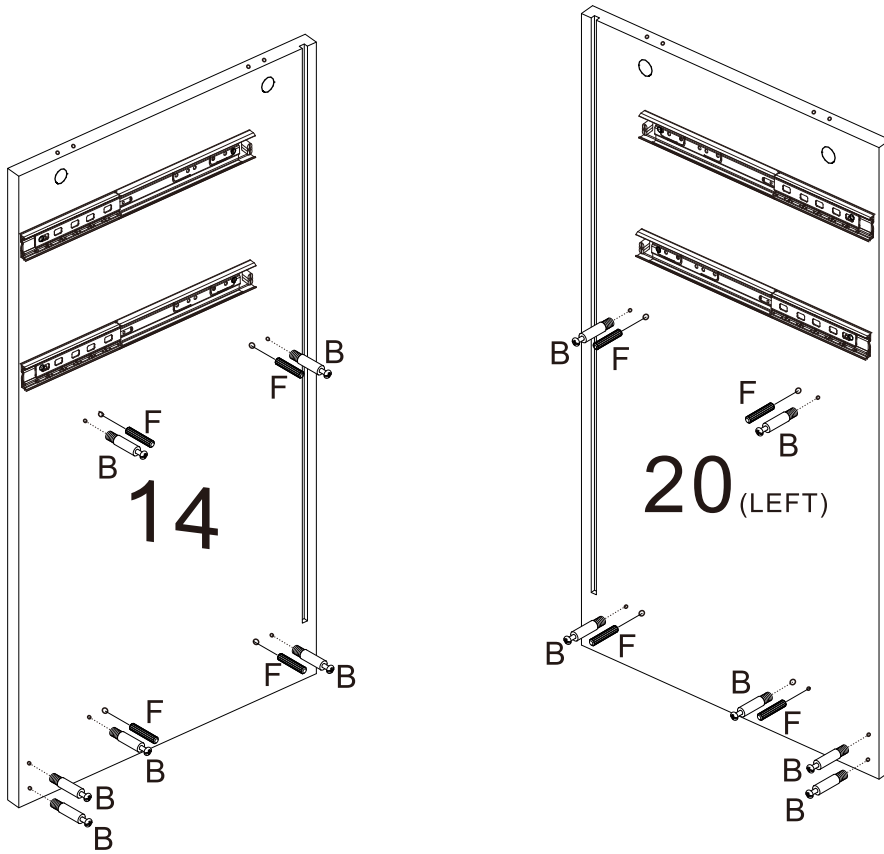
Dx4
M1x2



STEP 21

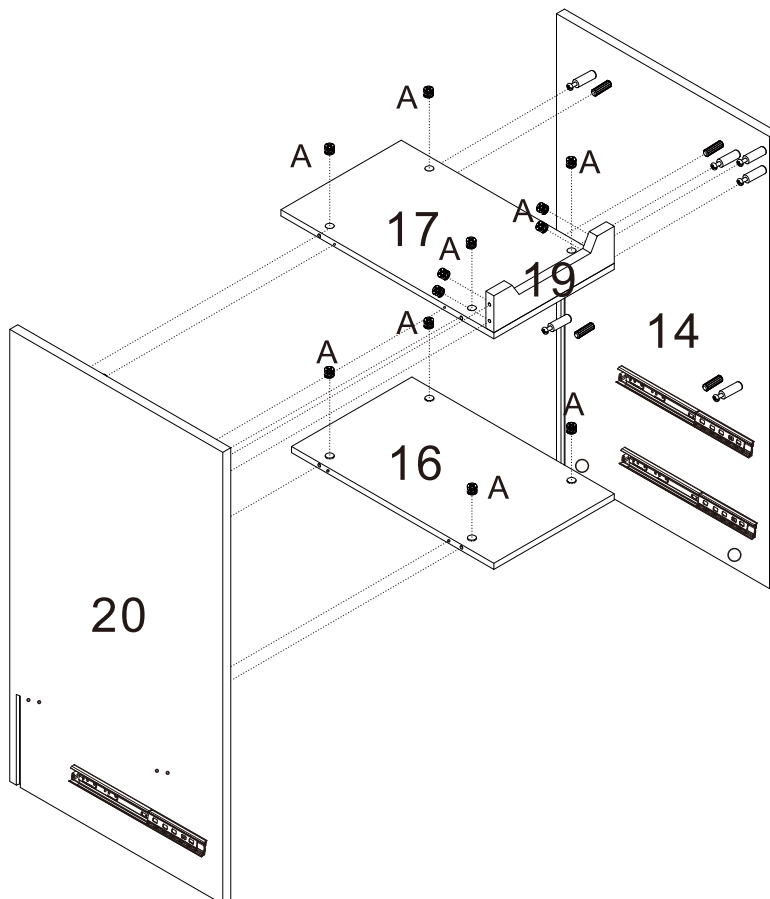
Bx12

Fx8

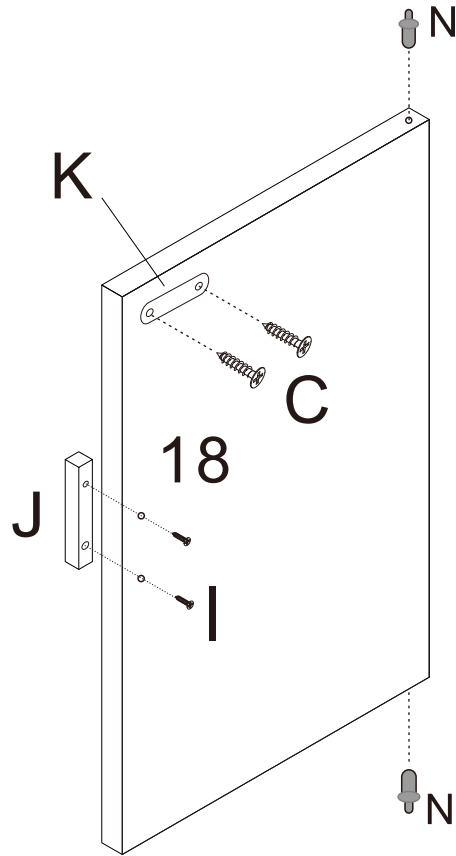


STEP 22

Ax12



STEP 23



I x2

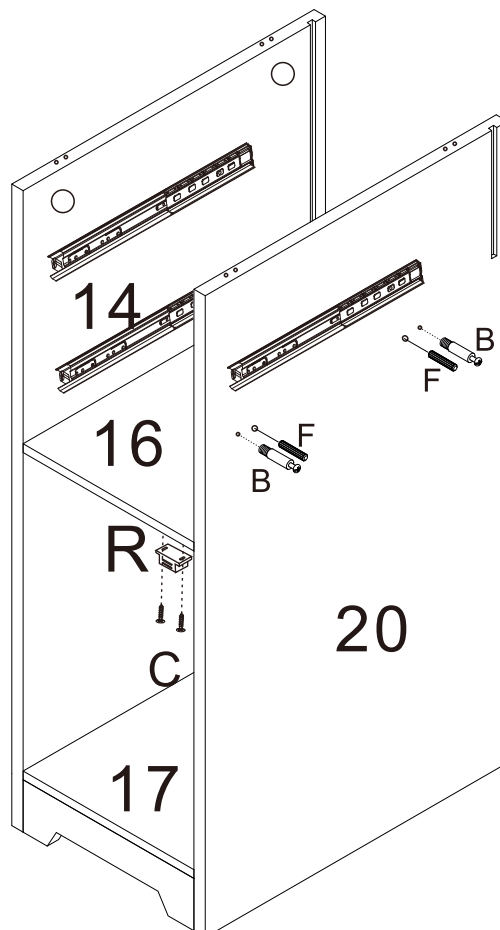
J x1

K x1

C x2

N x2

STEP 24



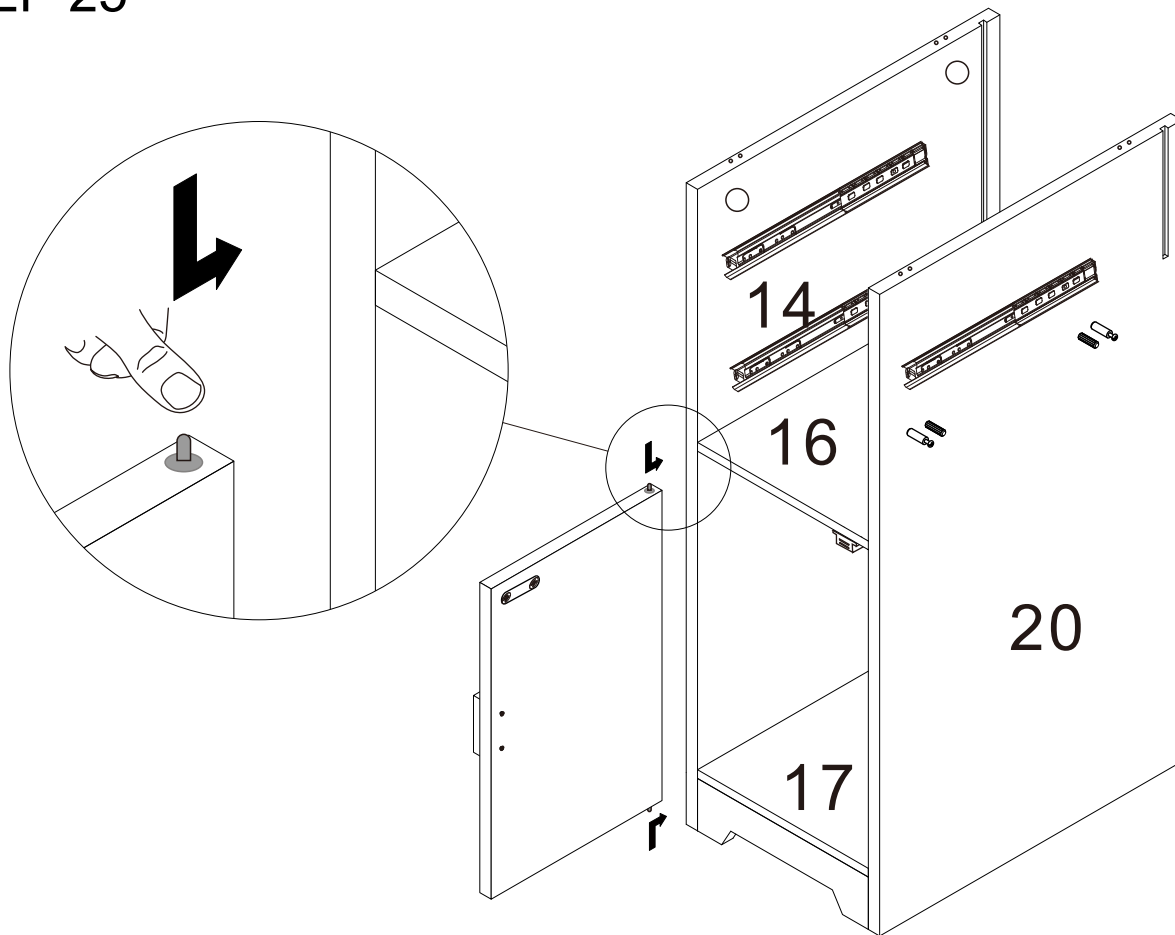
B x2

F x2

R x1

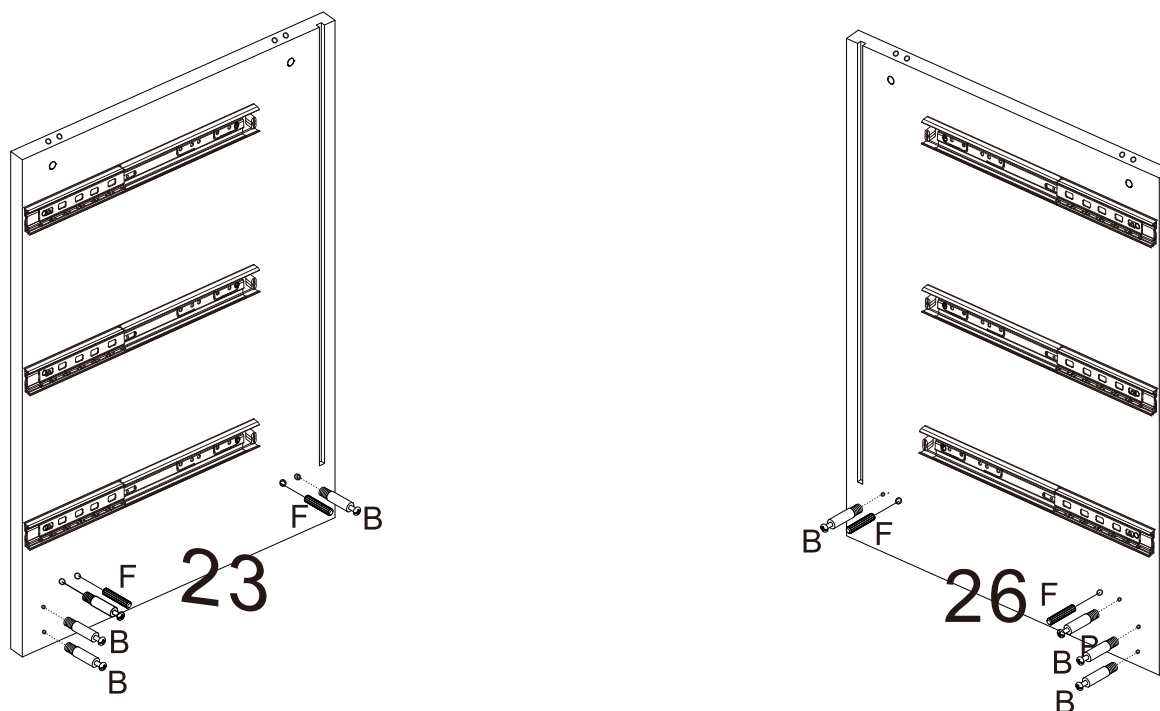
C x2

STEP 25

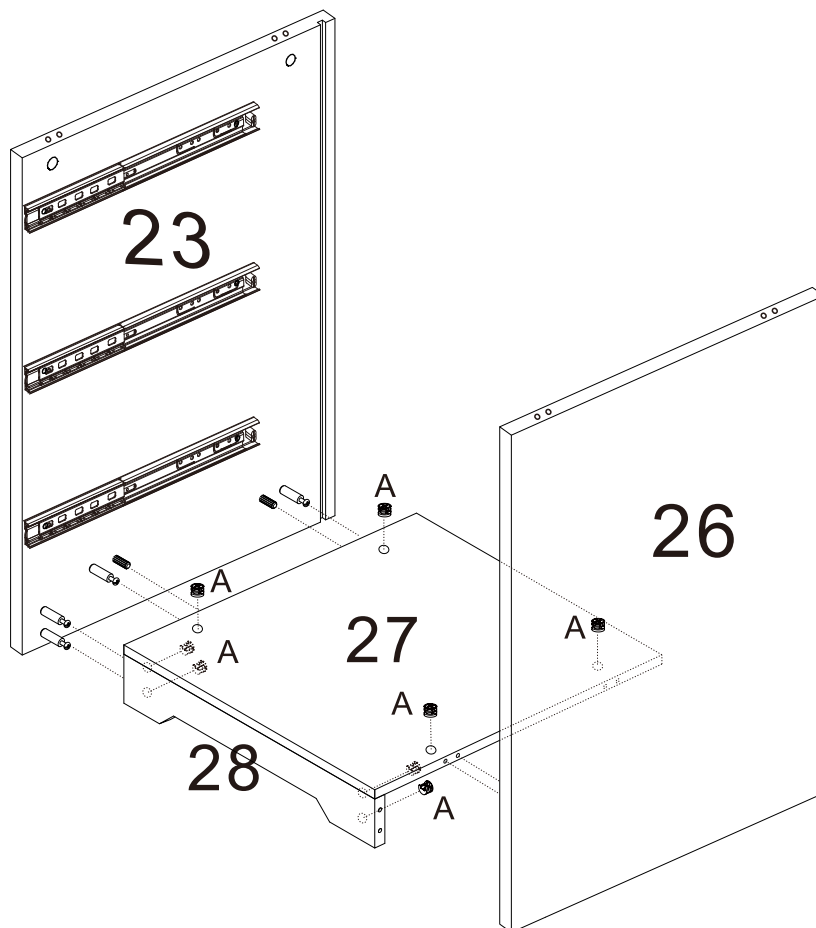


STEP 26

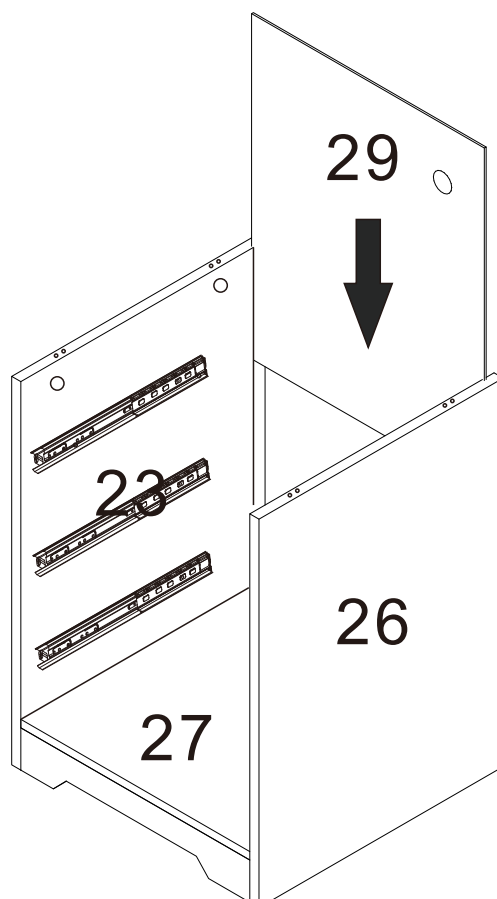
Bx8
Fx4



STEP 27



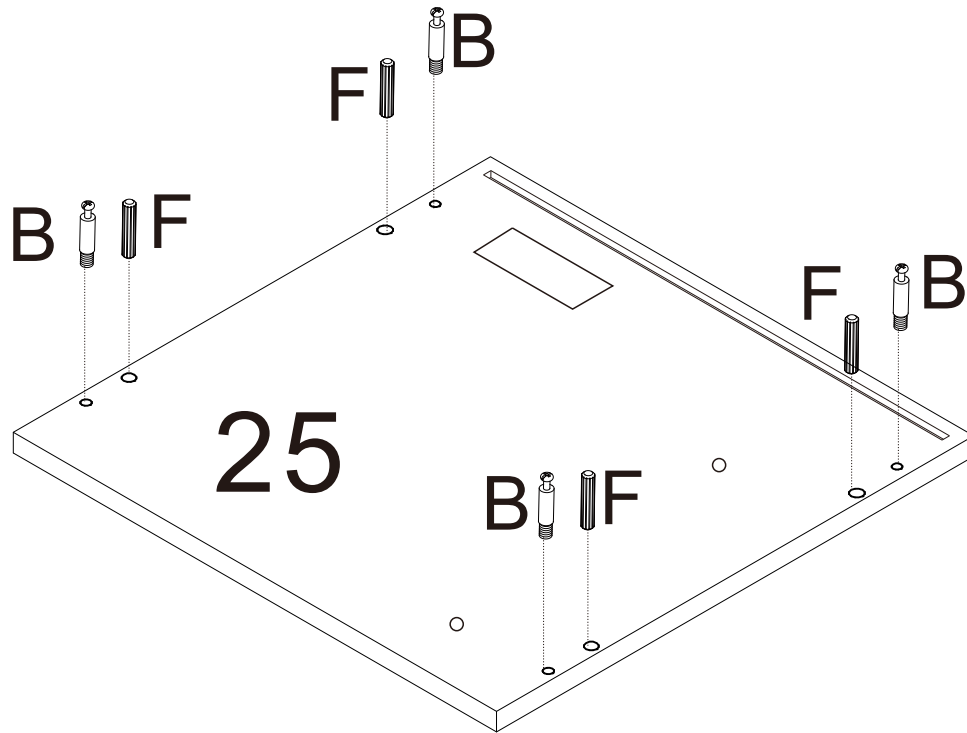
STEP 28



STEP 29

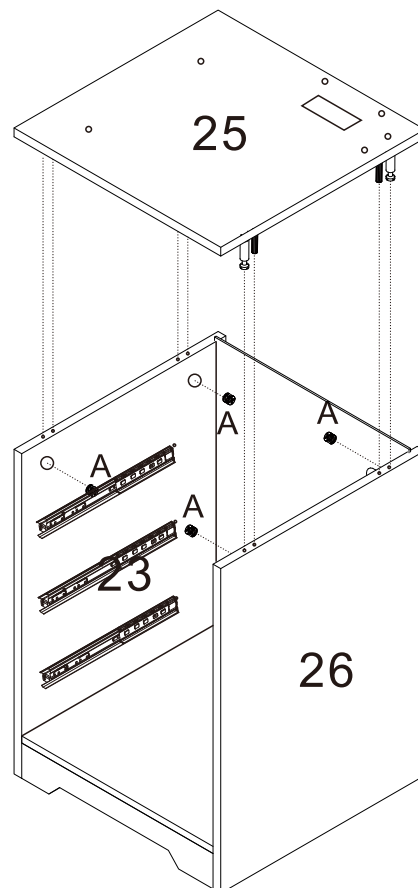
Bx4

Fx4



STEP 30

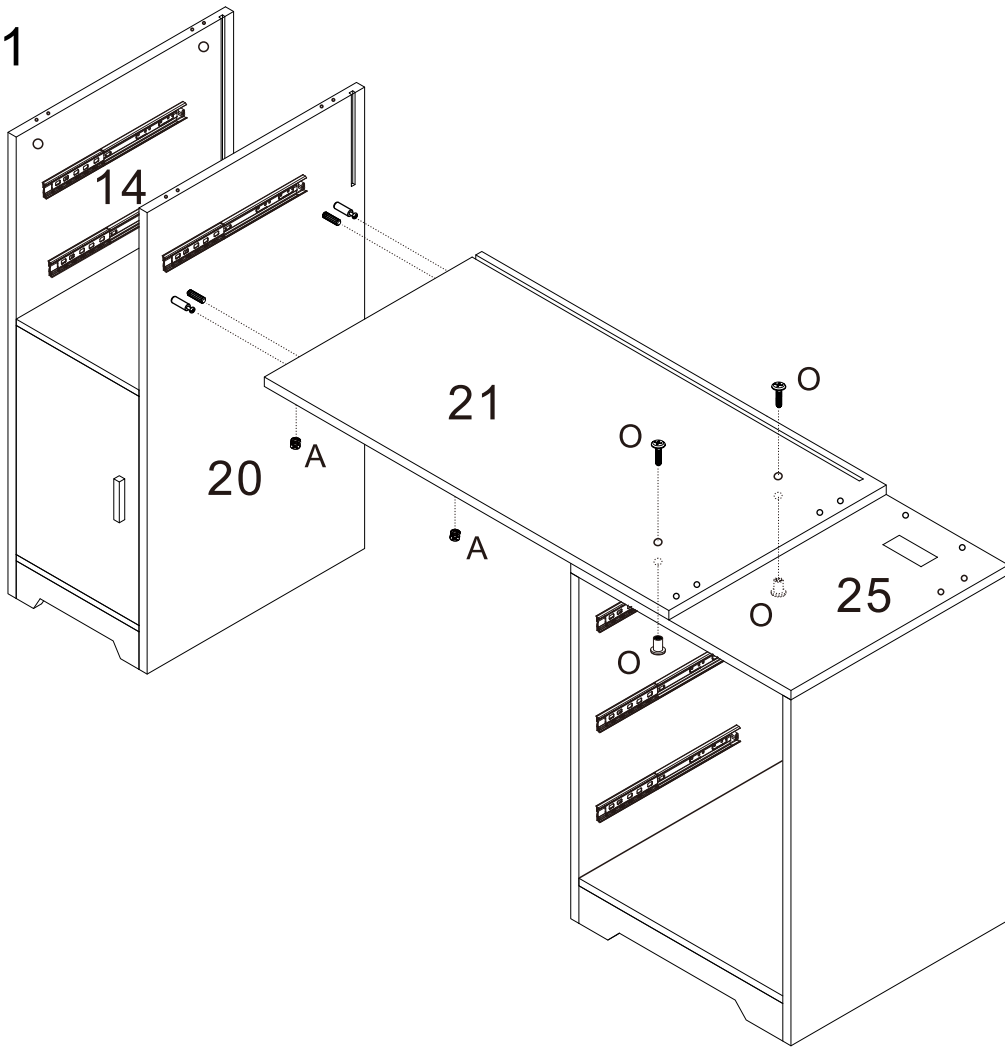
Ax4



STEP 31

Ax2

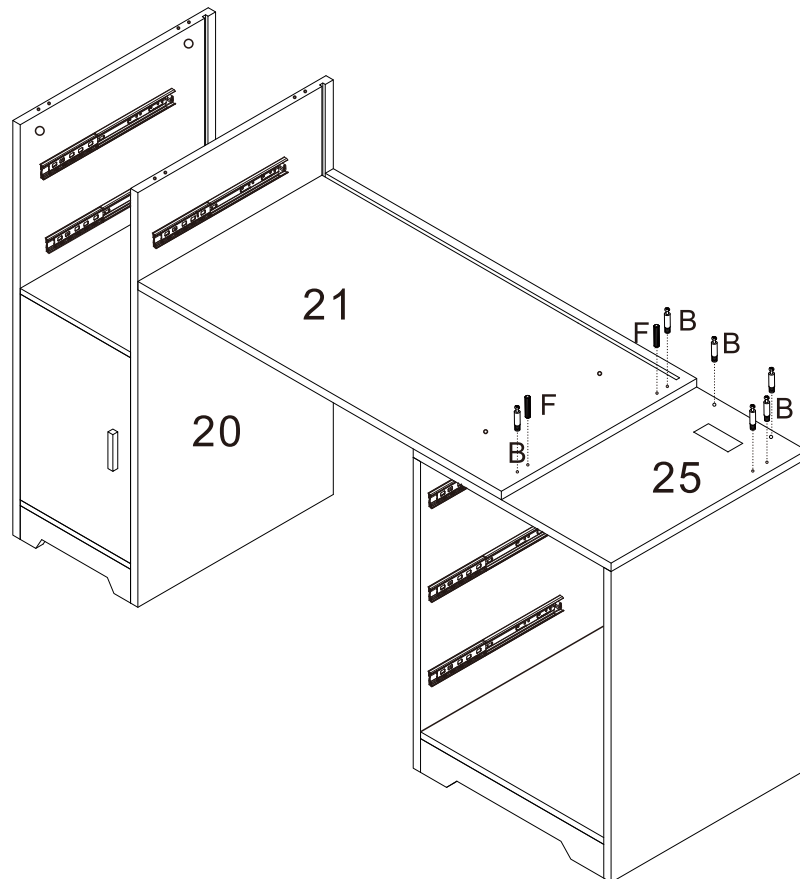
Ox2



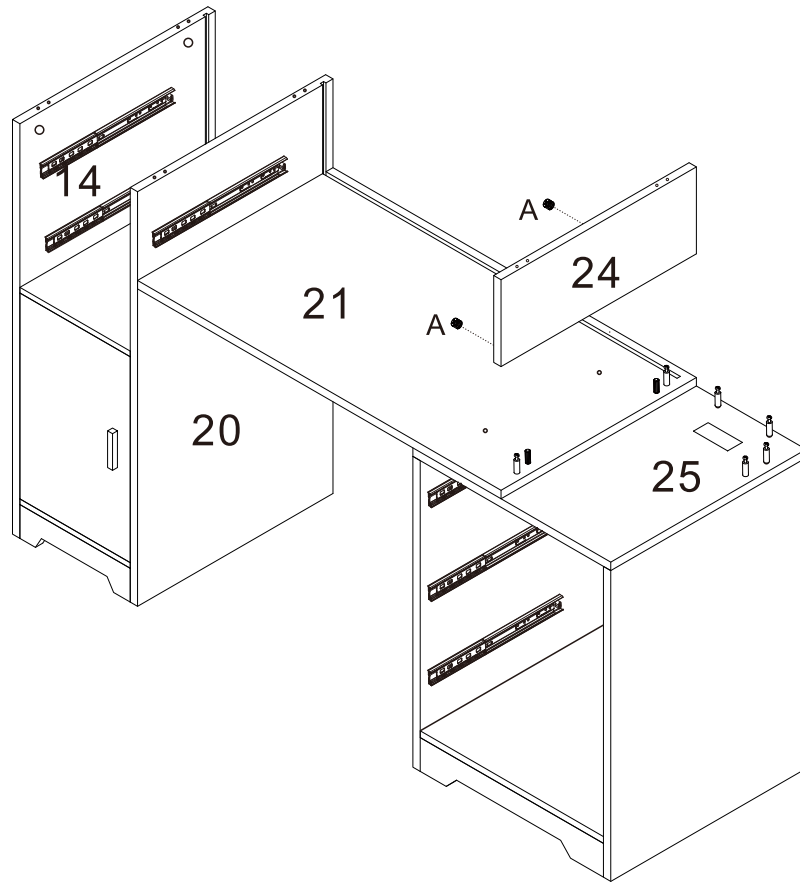
STEP 32

Bx6

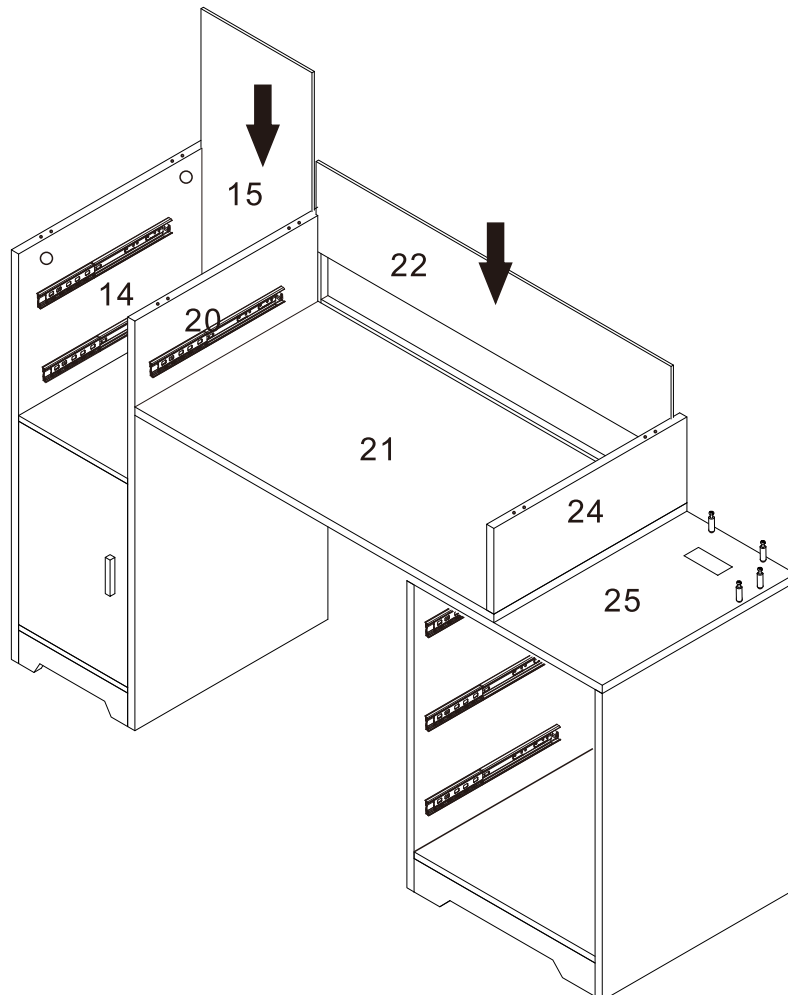
Fx2



STEP 33



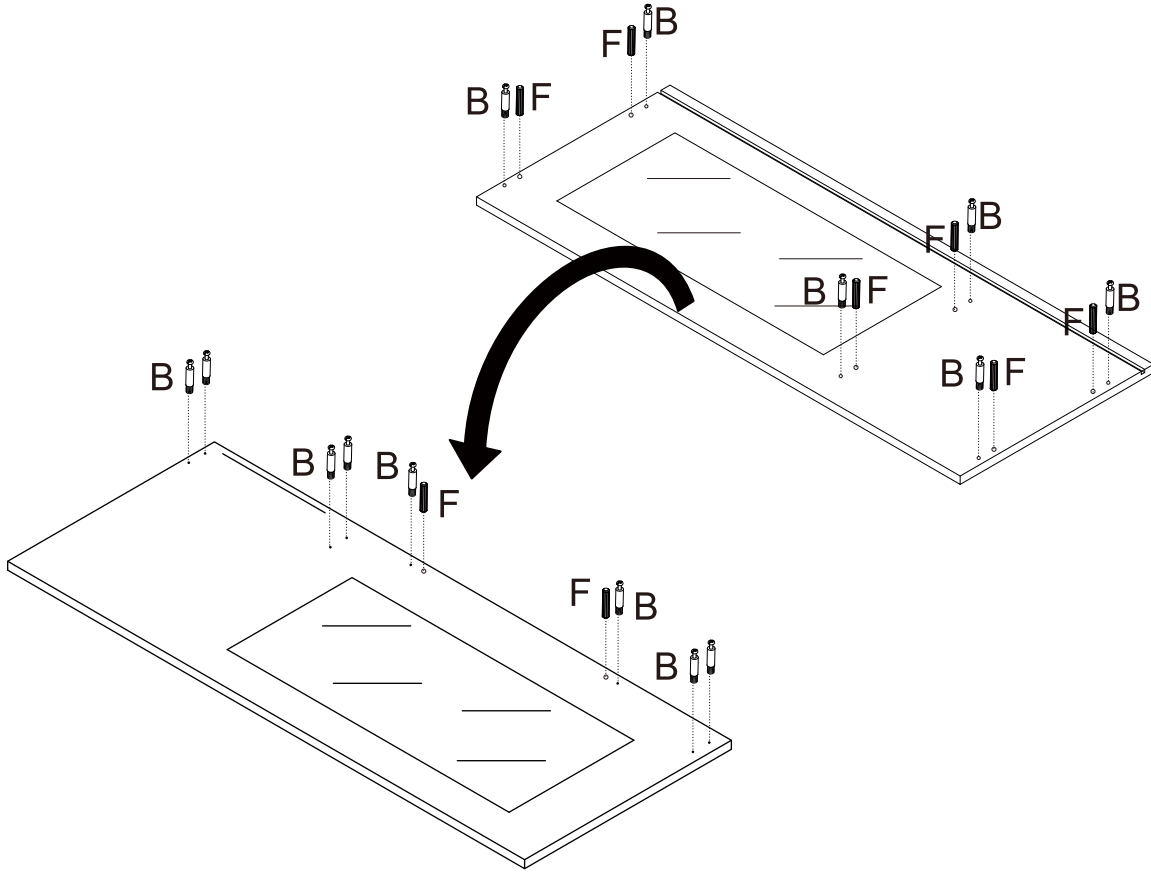
STEP 34



STEP 35

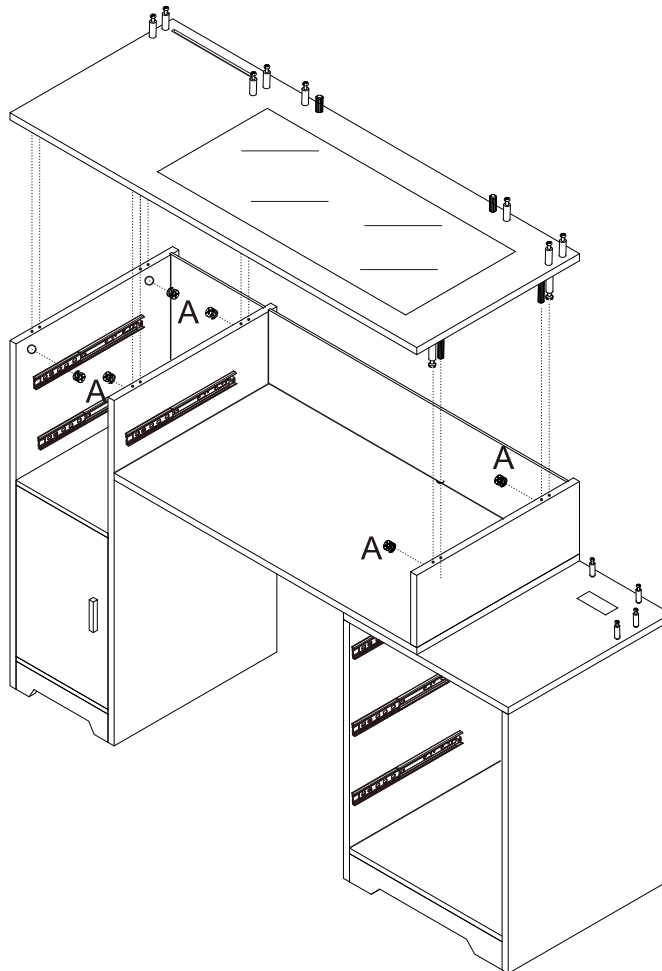
Bx14

Fx8



STEP 36

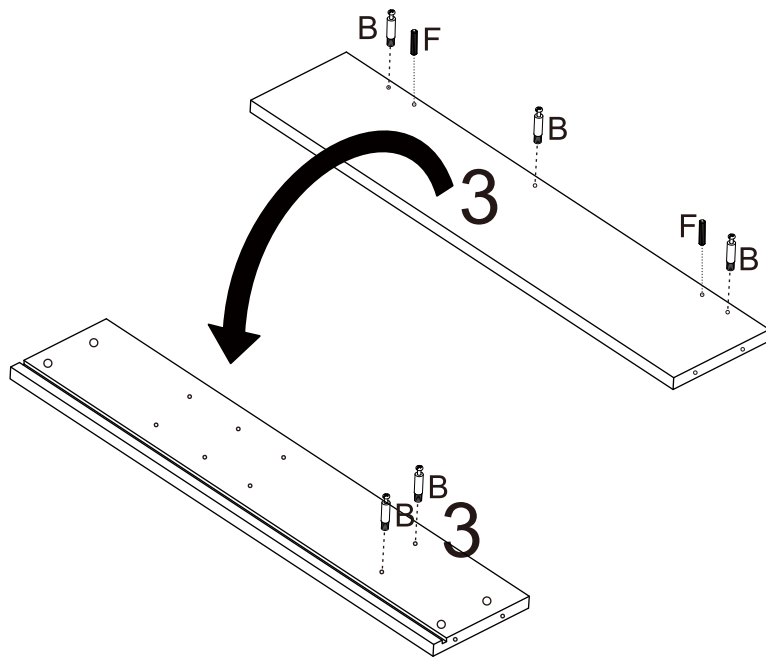
Ax6



STEP 37

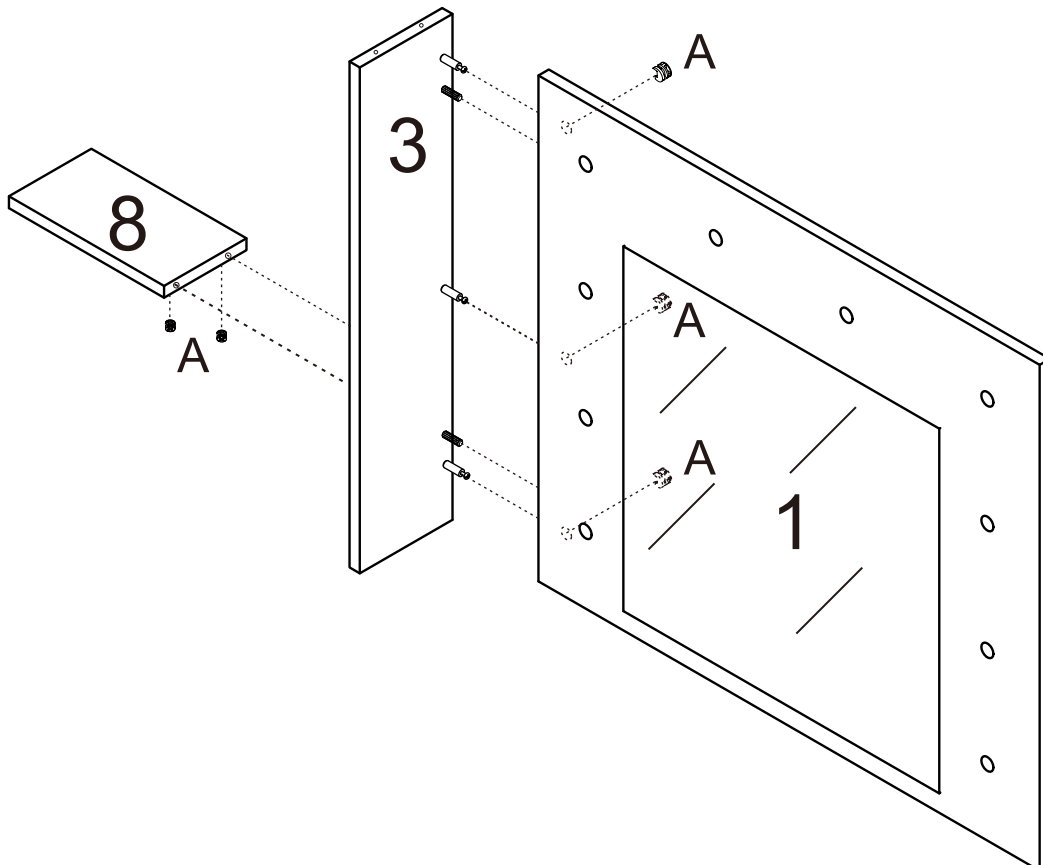
Bx5

Fx2



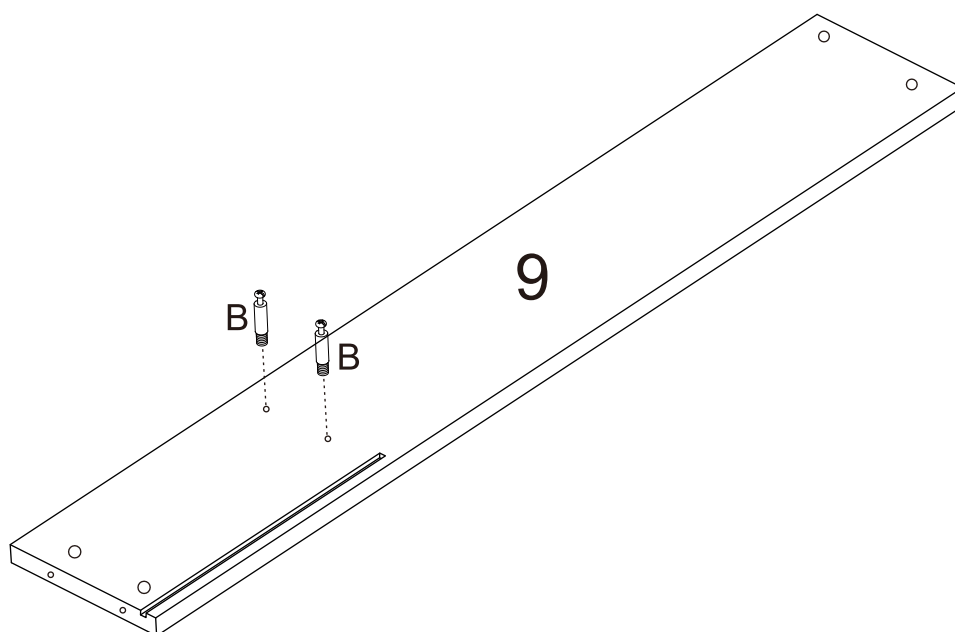
STEP 38

Ax5



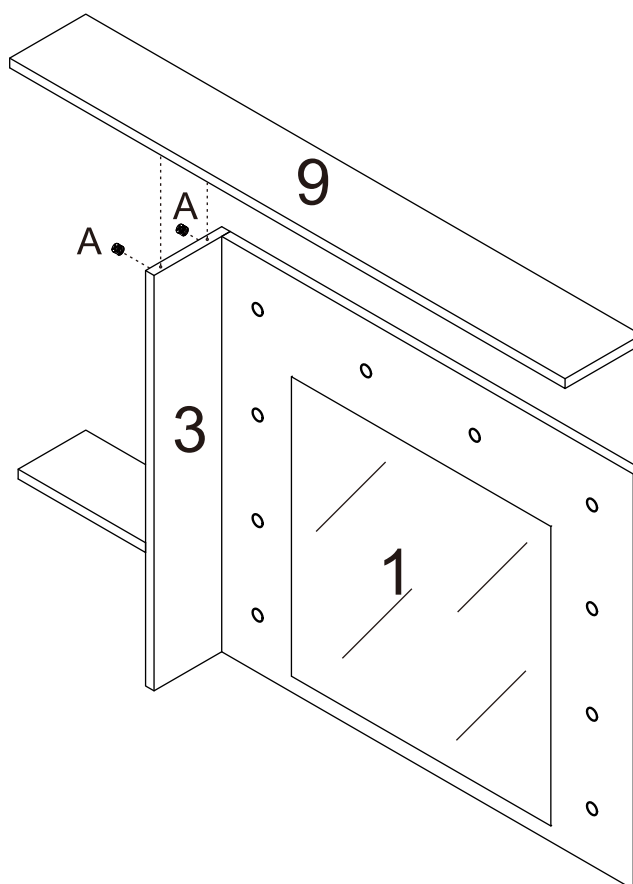
STEP 39

Bx2

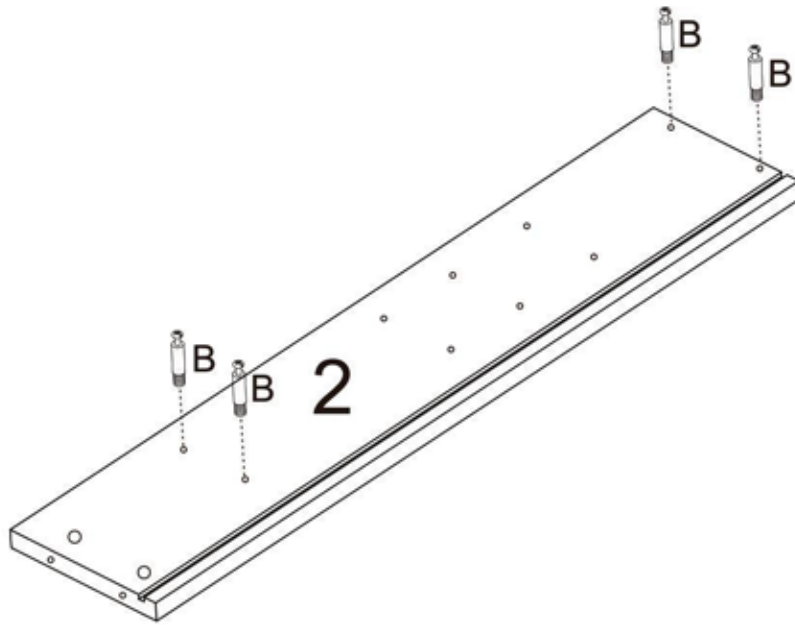


STEP 40

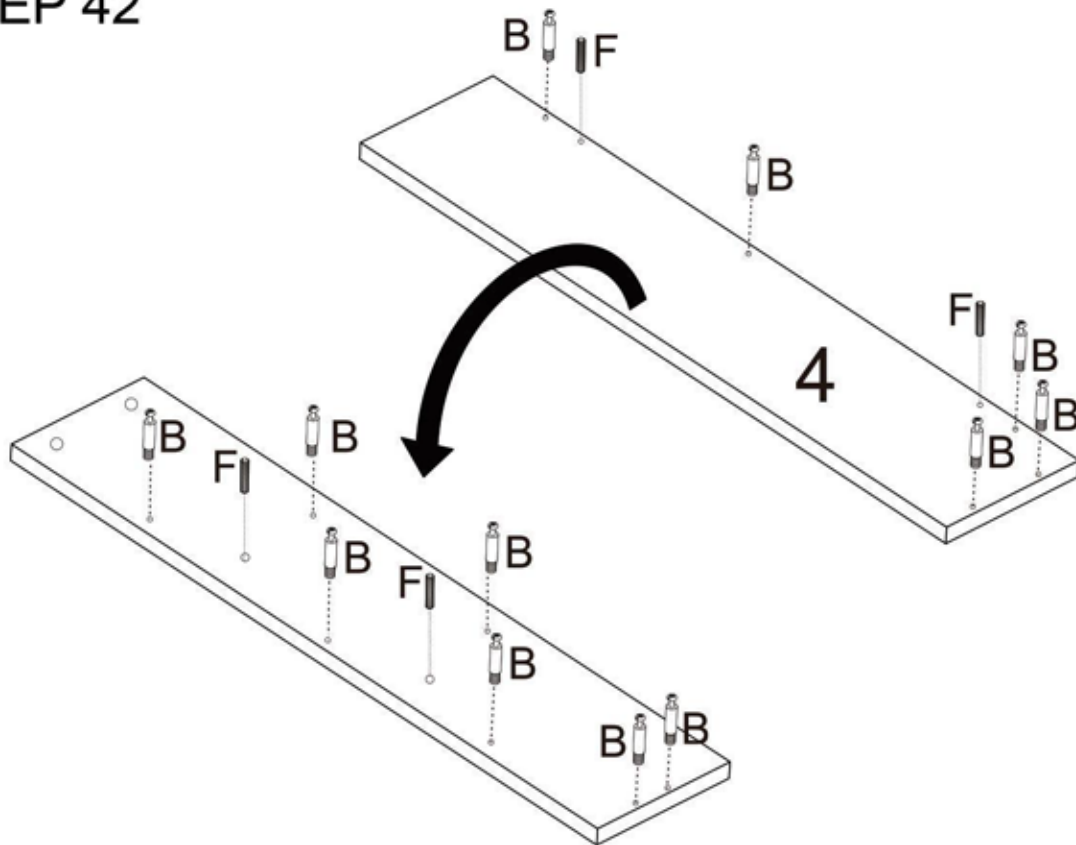
Ax2



STEP 41

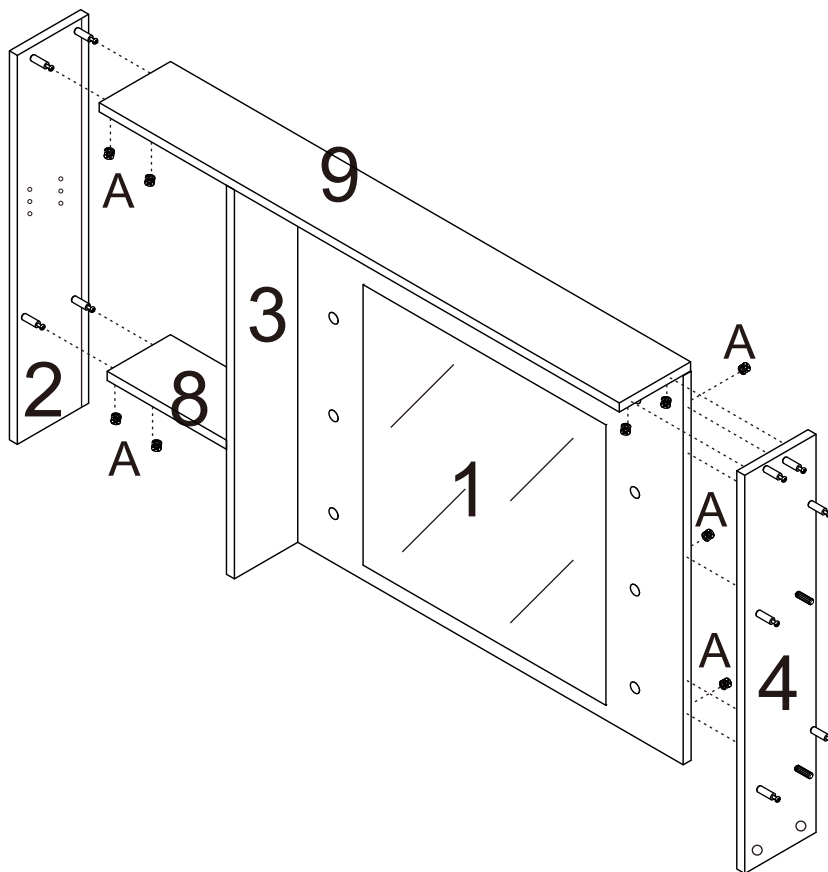


STEP 42



STEP 43

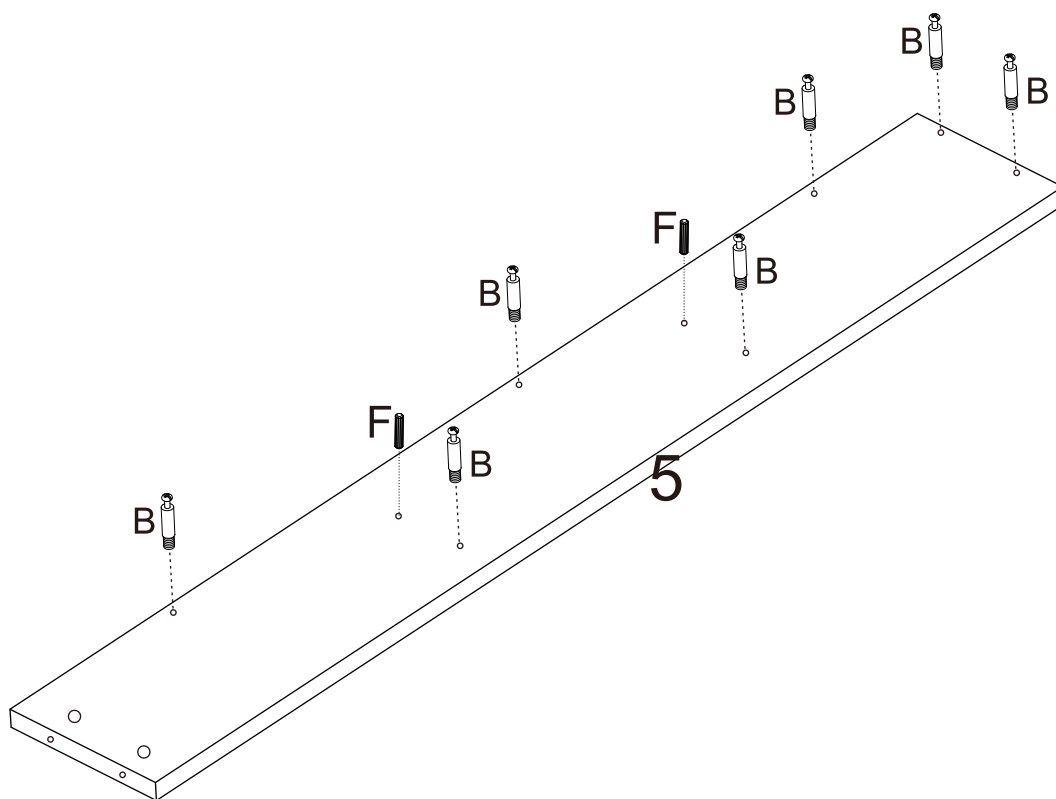
Ax9



STEP 44

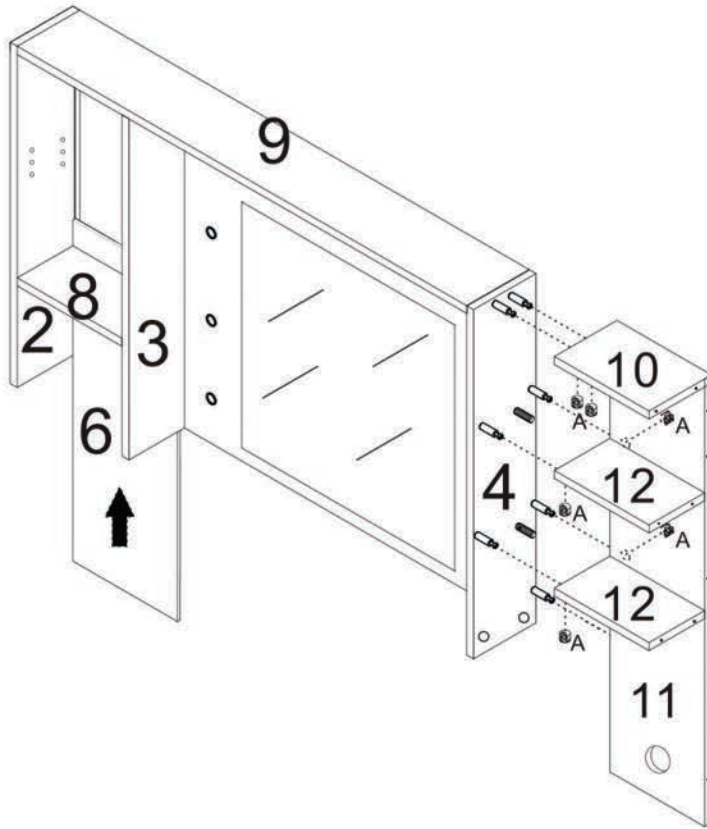
Bx7

Fx2



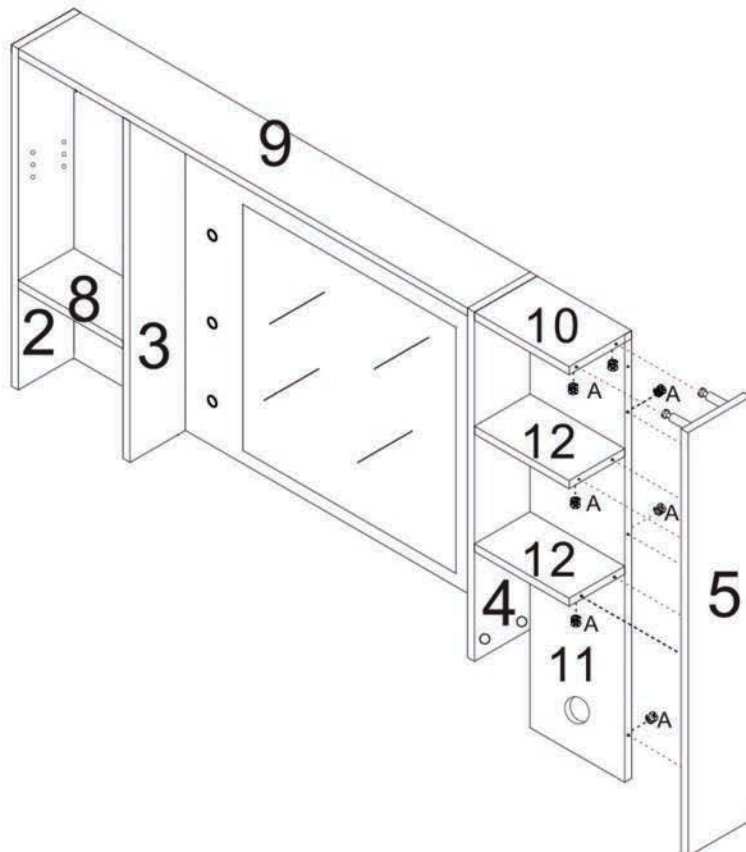
STEP 45

Ax6



STEP 46

Ax7

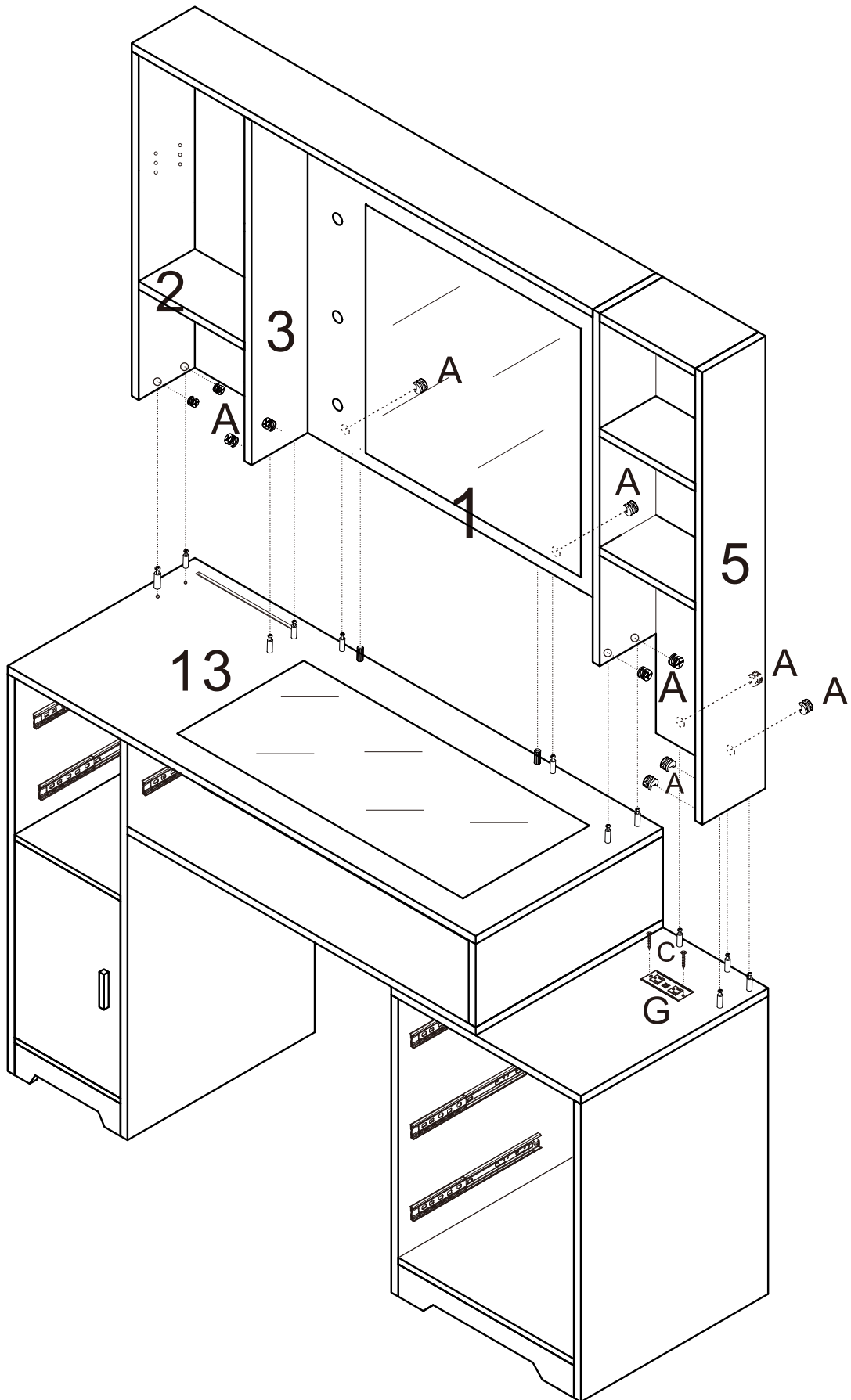


Ax12

Cx2

Gx1

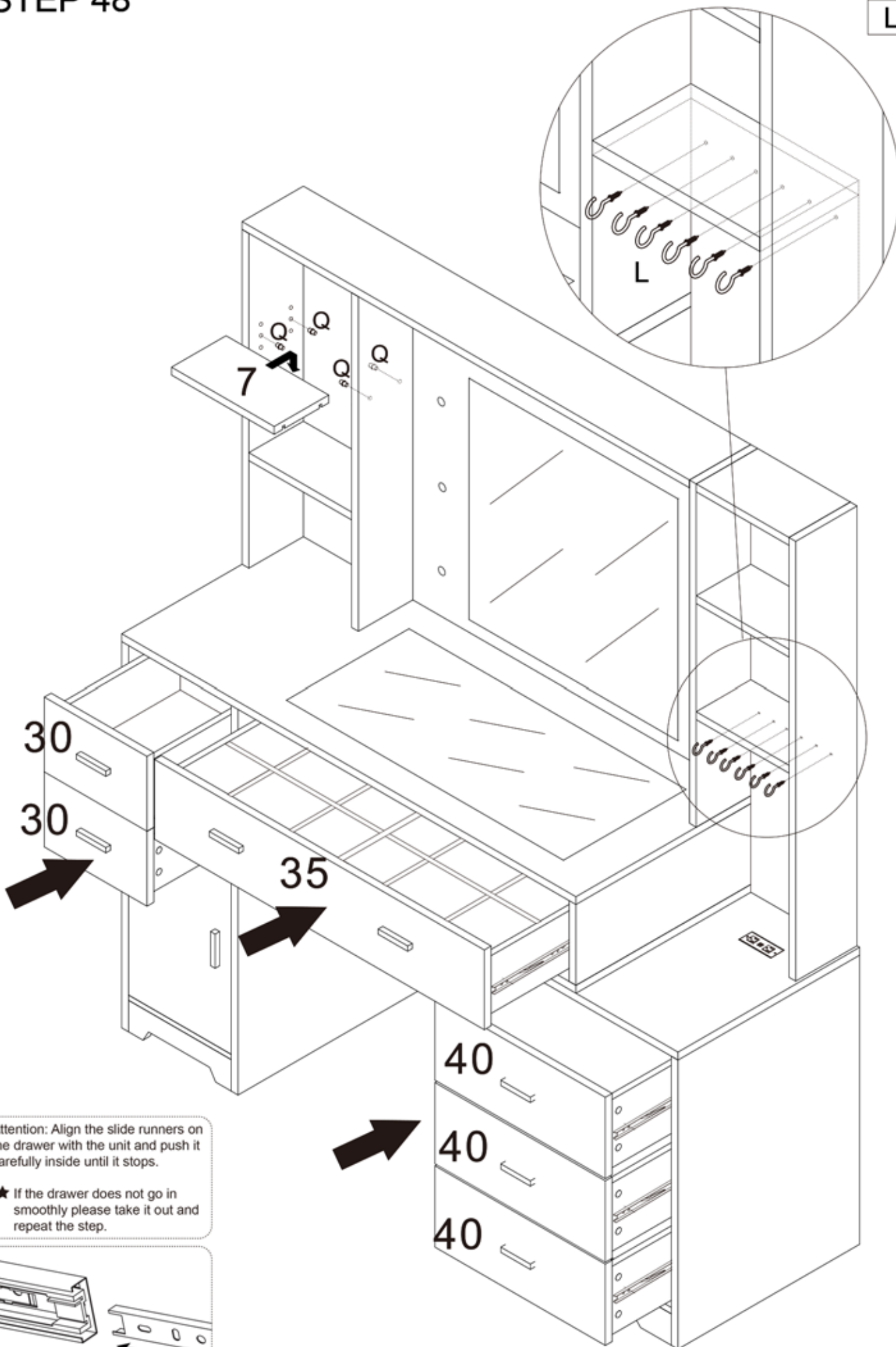
STEP 47



STEP 48

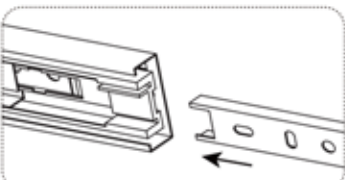
Qx4

Lx6



Attention: Align the slide runners on the drawer with the unit and push it carefully inside until it stops.

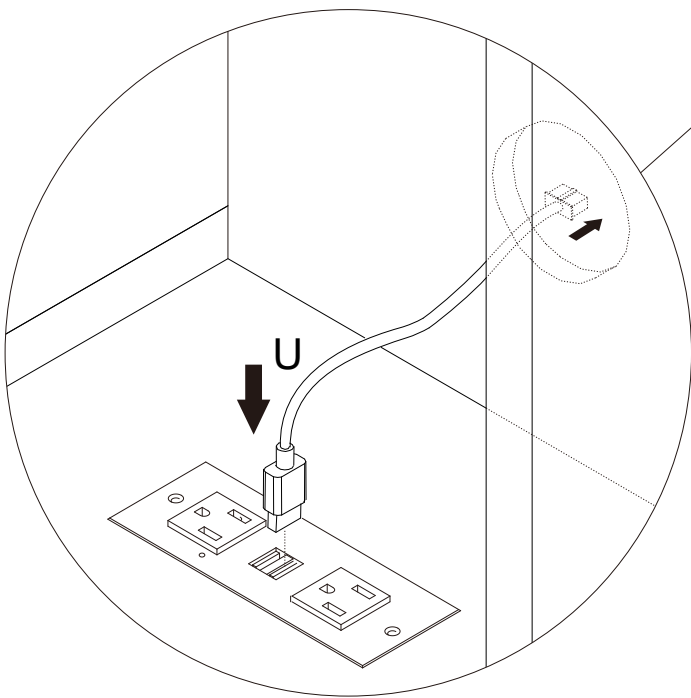
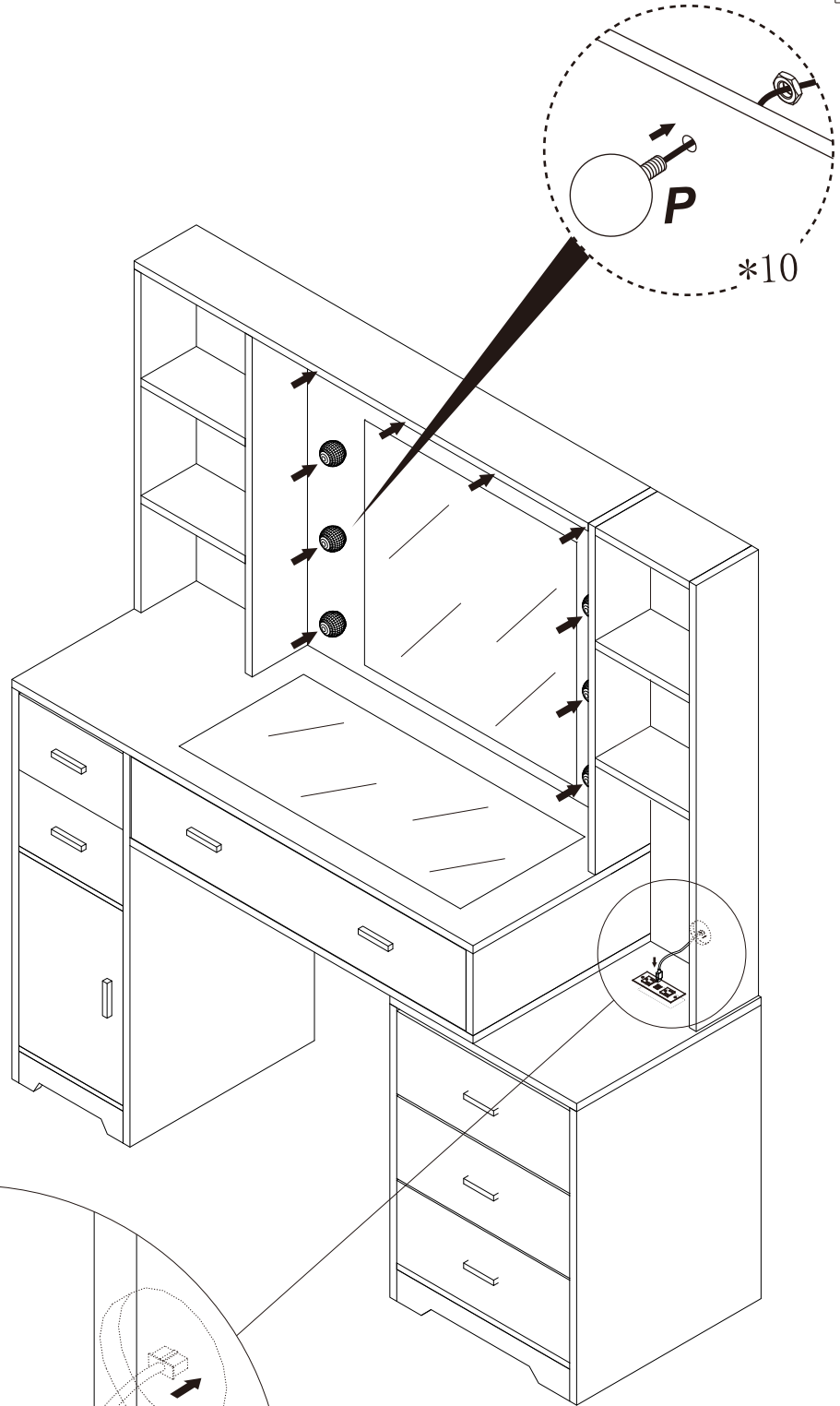
★ If the drawer does not go in smoothly please take it out and repeat the step.



STEP 49

Px10

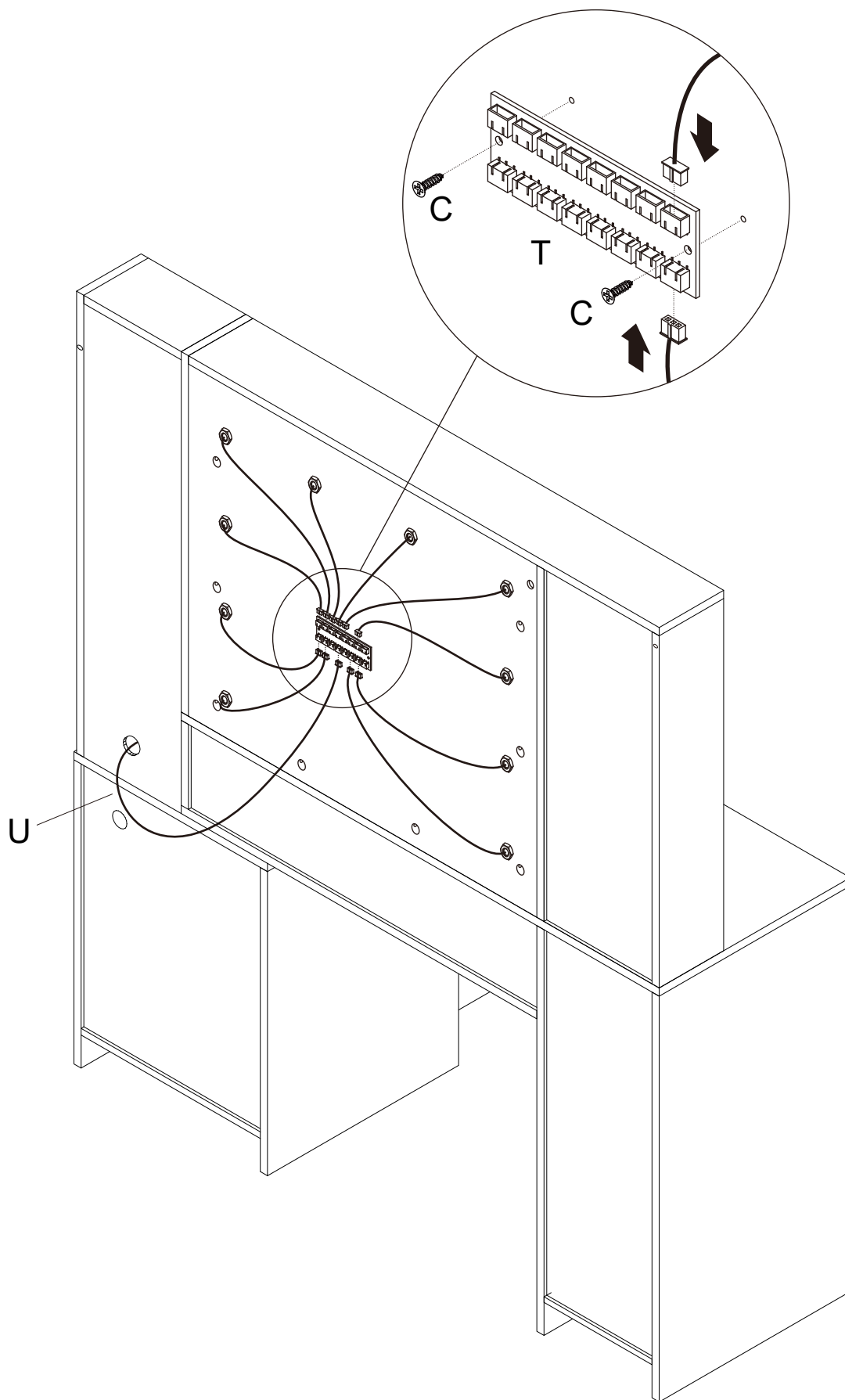
Ux1



STEP 50

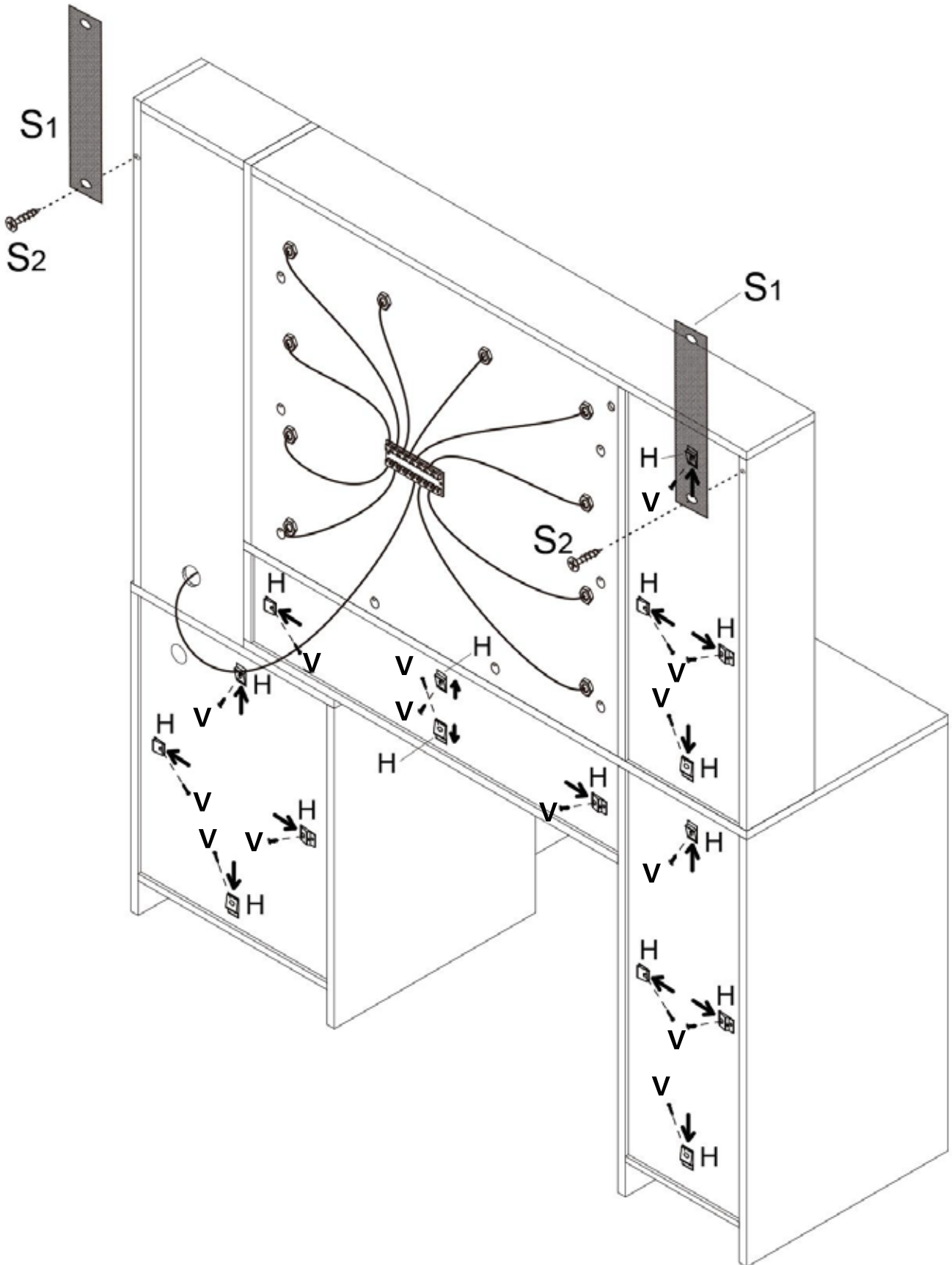
Tx1

Cx2



STEP 51

S1x2
S2x2
Hx16
Cx16



STEP 52

S3X2

S4X2

