

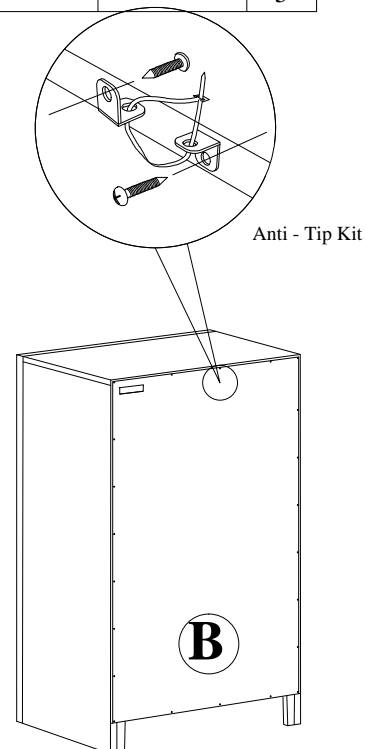
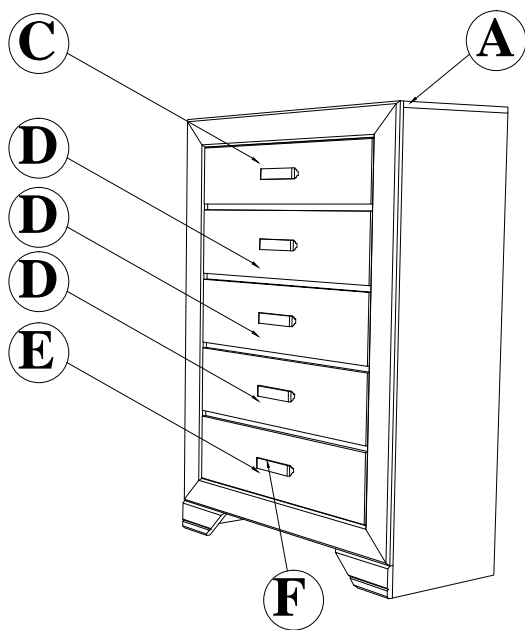
Assembly instruction for

DESCRIPTION : CHEST
ITEM NO : NH100CH

Caution : Please read instructions thoroughly before unpacking assembly parts. Sharp, exposed staple tips can cause injury, therefore, for your protection, please remove any exposed staples used in packing.

1. We recommend that you should assemble this product with the assistance of another person ; this will make assembly easier, and will help to eliminate damage to the product or injury to persons during assembly.
2. Be sure to check all packing materials carefully for small parts that may have come loose inside the carton during shipment.
3. Please do not over tighten screws or bolts.
4. Please put all parts on a non - abrasive floor before assembly. and follow the assembly step to assemble your newly purchased product correctly and efficiently .

PART LIST			
NO	PART DESCRIPTION	CODE	QTY
A	CHEST TOP	CHTOP	1
B	CHEST BACK PANEL	CHBPN	1
C	CHEST TOP DRAWER	CHDRW1	1
D	CHEST CENTER DRAWER	CHDRW2	3
E	CHEST BOTTOM DRAWER	CHDRW3	1
F	DRAWER WOODEN HANDLE W/SCREW	CGHD	5



Remark : Please be noted that the *
safety bracket set with instruction
is attached in the right top drawer