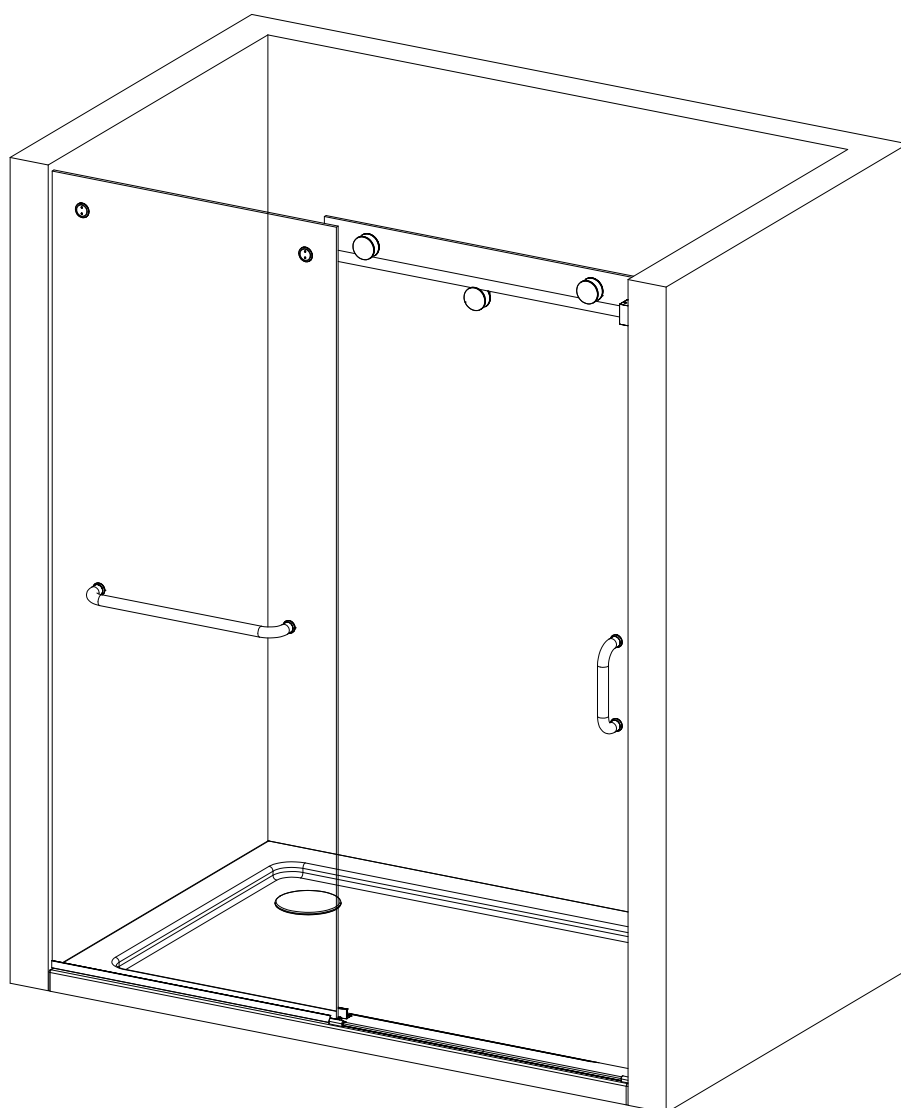


001 (002P-5)

Installation Instruction



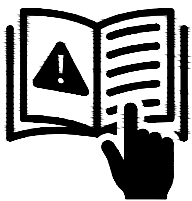
Left-handed



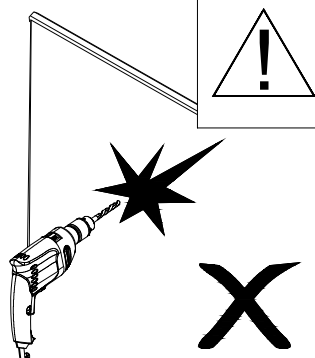
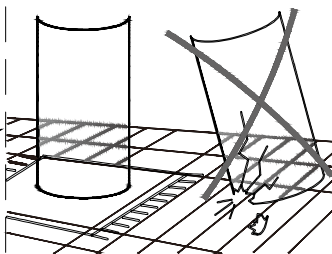
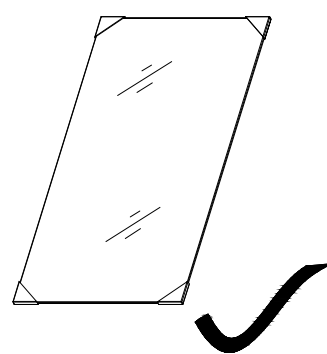
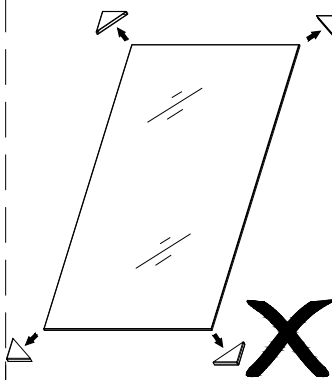
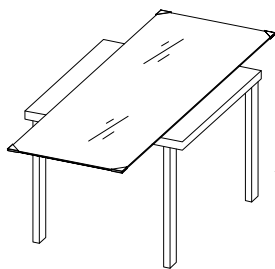
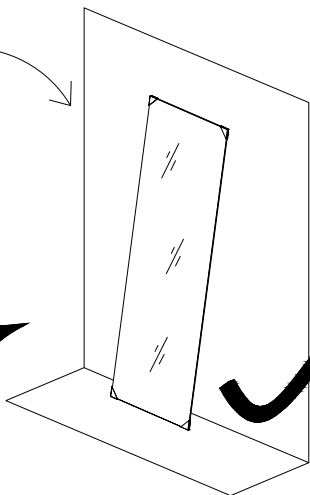
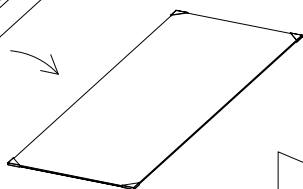
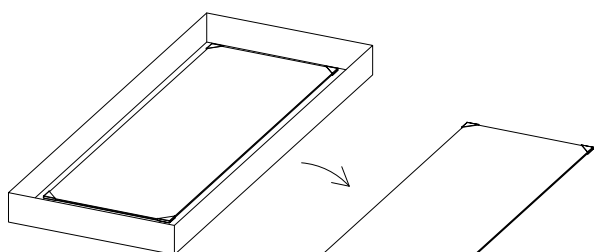
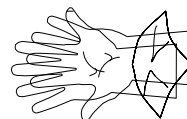
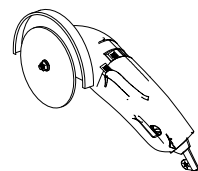
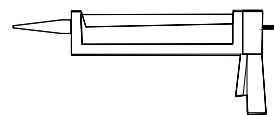
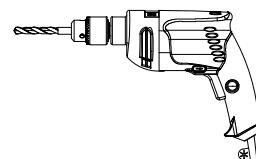
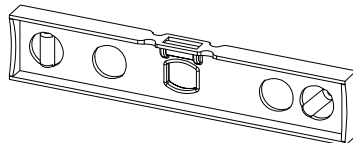
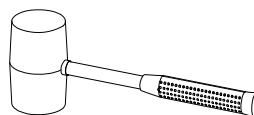
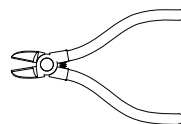
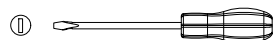
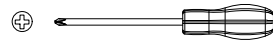
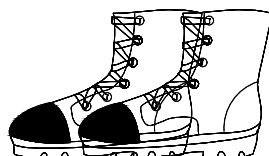
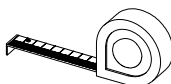
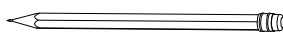
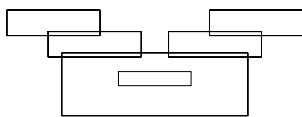
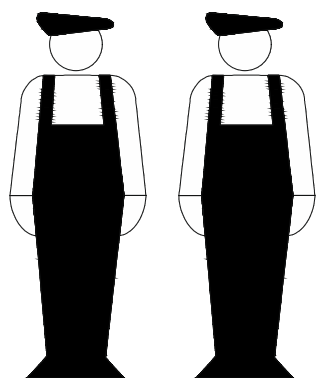
PREPARATION

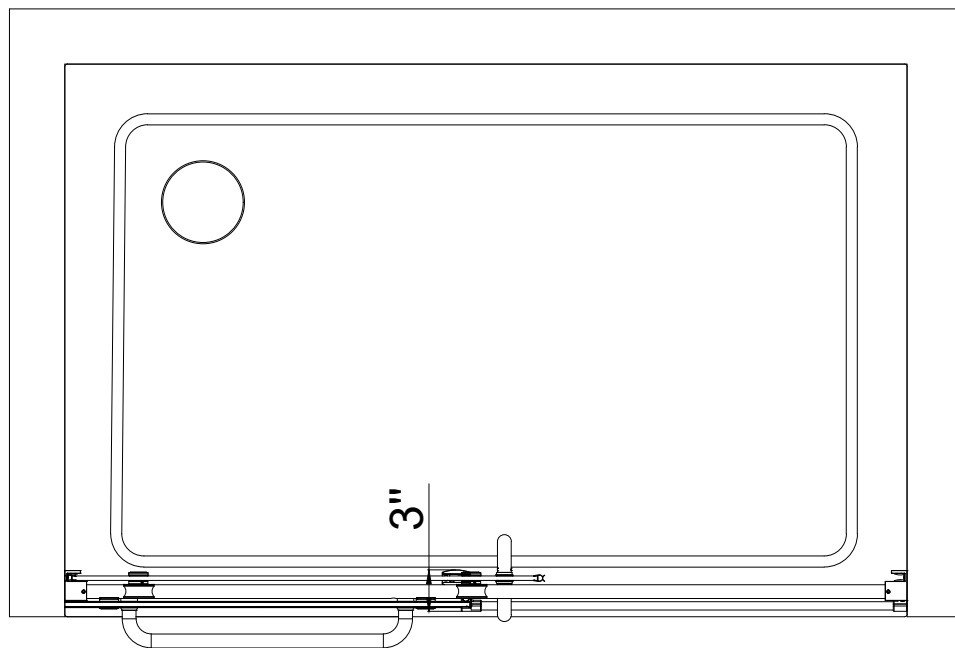
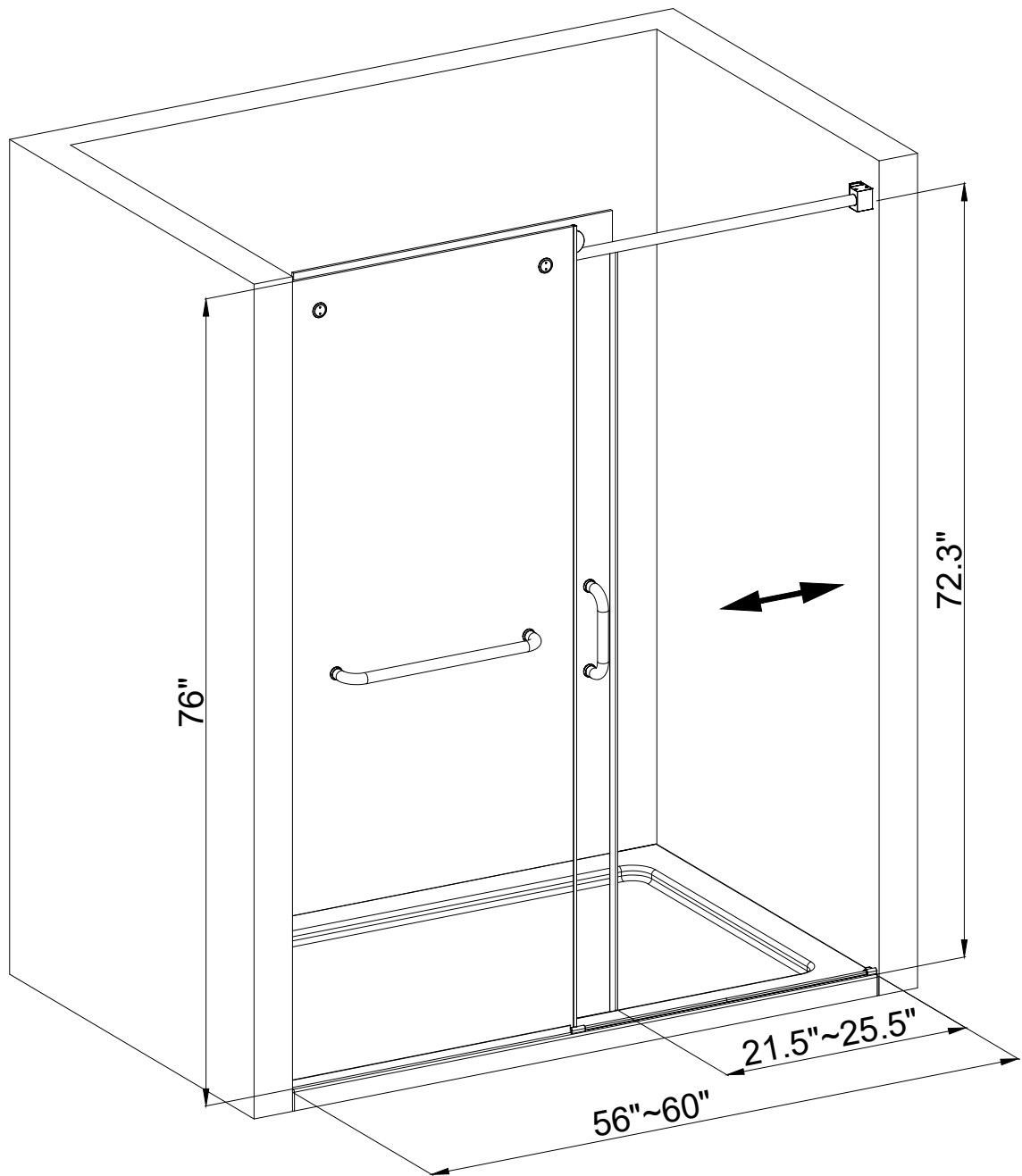
1. We strongly recommend that this product be installed by a licensed and insured professional contractor.
2. After opening all boxes and packages, please read this introduction carefully. Check that all required parts are included in the package by marking all components on the Shower Door Components Detail Sheet. Inspect boxes and packages for shipping damage. If the unit has been damaged, has a finishing defect or has missing parts, please contact our customer support department within 3 business days of the delivery date. Please note that we will not replace any damaged products or missing parts free of charge after 3 business days or if the product has been installed. Feel free to contact us if you have any questions. Attention: Please double check the glass corners and four edges of glass door to ensure that all glass is in perfect condition and without any breakage. Do not attempt to install a shower door if the glass corners are broken.
3. Please note that if you are in doubt about installation compliance standards, please consult your local building codes. Building and plumbing codes may vary by location and we are not responsible for your project's code compliance standards and does not accept any returns.
4. Before installation, make sure the installation surface is leveled and solid, and can support the total weight of the unit. Also, make sure the walls are at right angles. Irregular mounting surface levels or improper angle of side walls will cause serious problems during installation. Note that some adjustments and drilling may be required during installation.
5. Protect all major surfaces of the product during installation. Never place glasses directly on tile floors. Leave the corner protector in place until it needs to be removed. Always use a piece of wood or cardboard to protect the bottom edges and corners of the glass before and during installation.

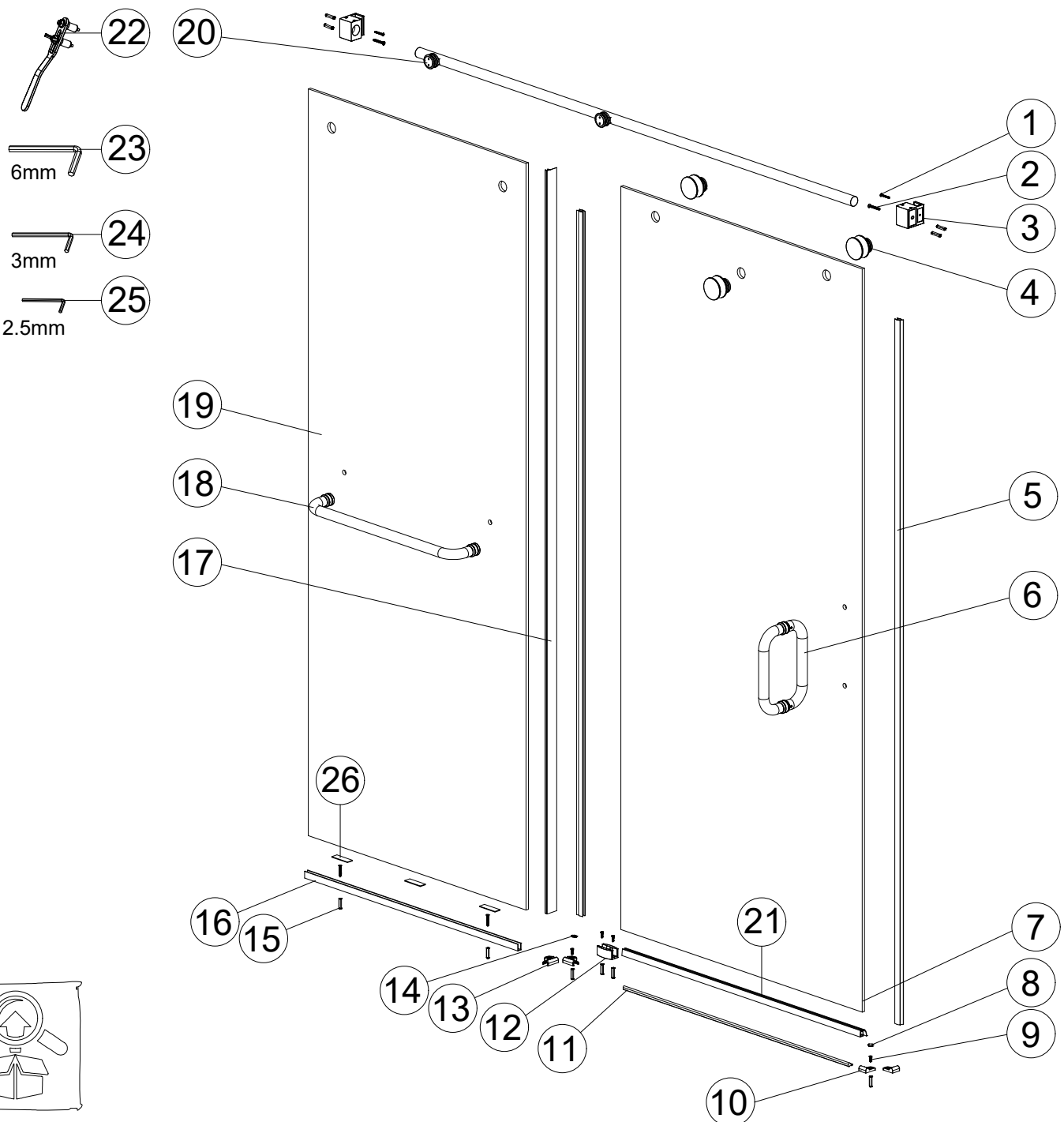




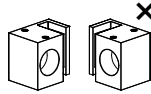
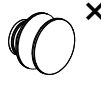
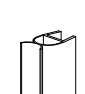




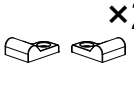
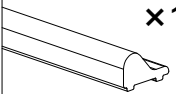
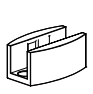
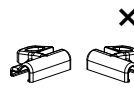

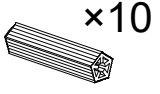
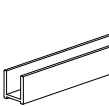
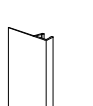
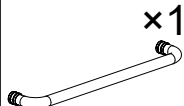
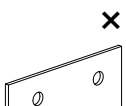
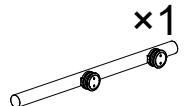
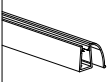
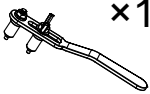
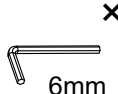
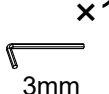
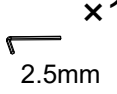
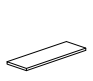


IMPORTANT - Please read and follow all warnings and instructions before using this product. Injury can result from improper use. Save this documents.



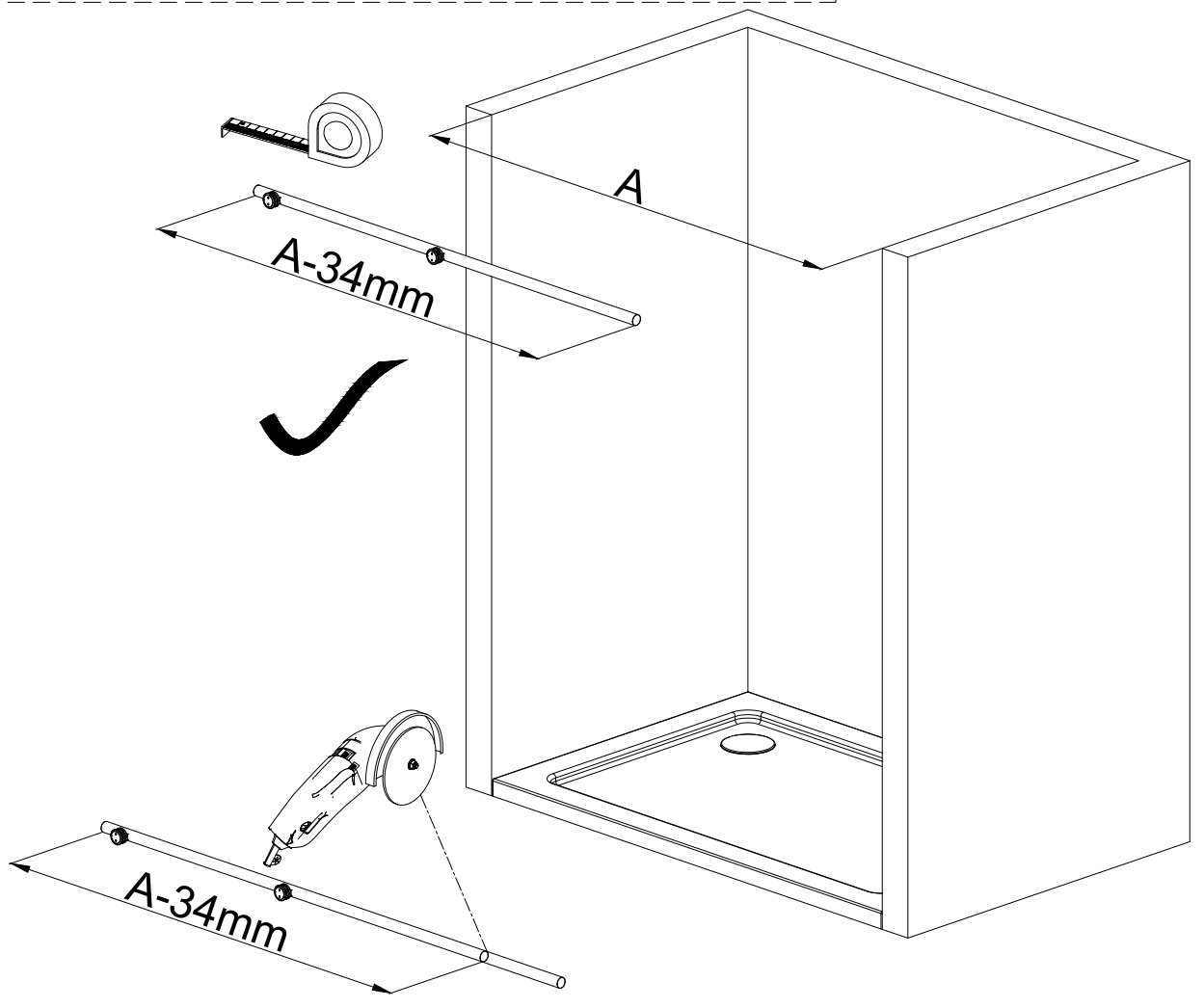
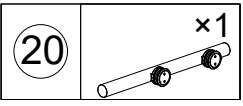




1	 x4	2	 x2	3	 x2	4	 x3	5	 x2
6	 x1	7	 x1	8	 x1	9	 x4	10	 x2
11	 x1	12	 x1	13	 x2	14	 x1	15	 x10
16	 x1	17	 x1	18	 x1	19	 x1	20	 x1
21	 x1	22	 x1	23	 x1	24	 x1	25	 x1
								26	 x3

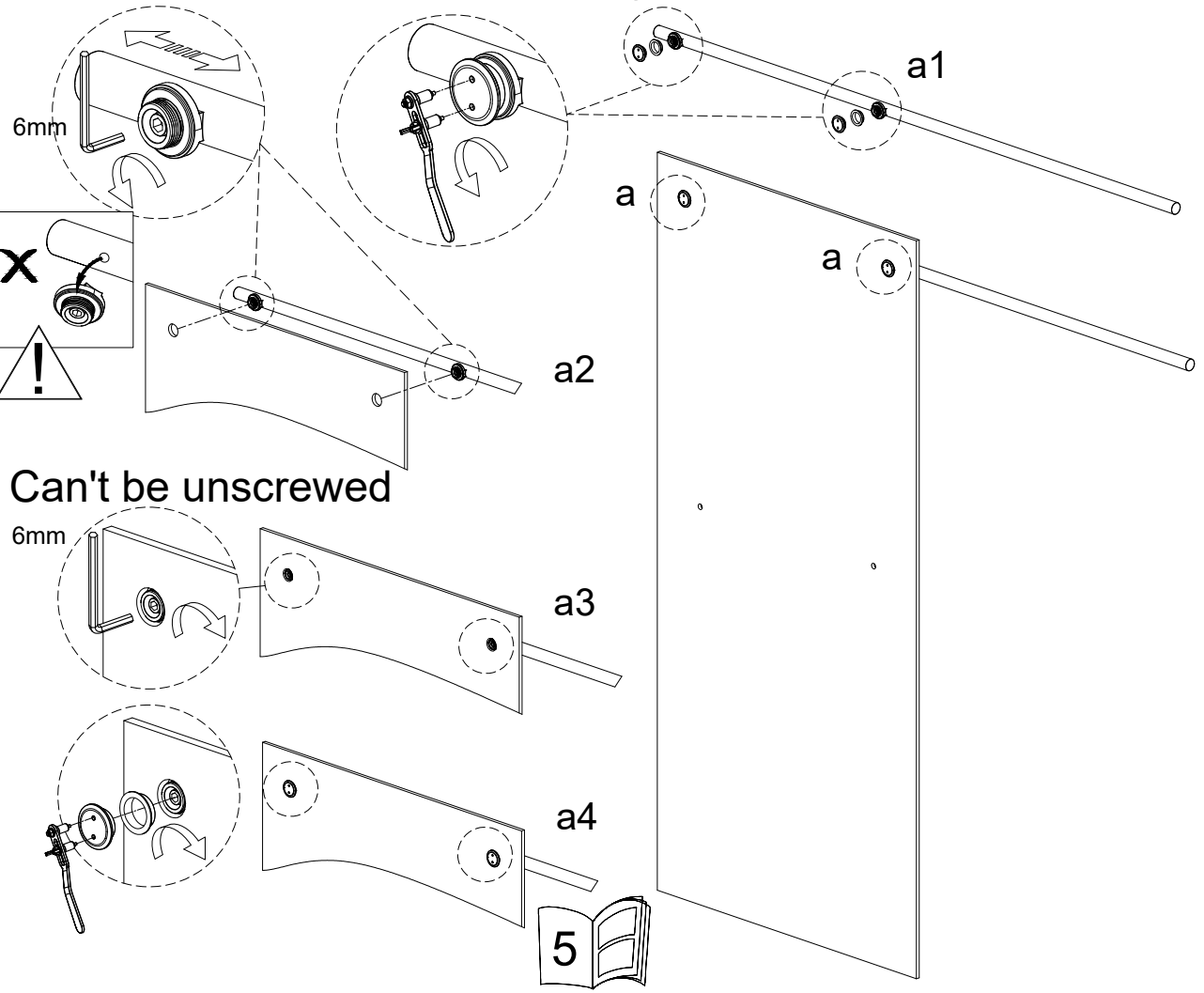
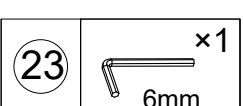
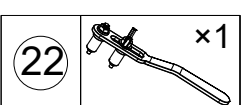
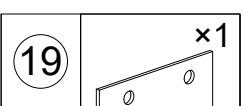
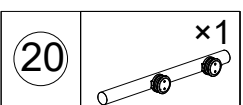
1

Cut according to the required size on site



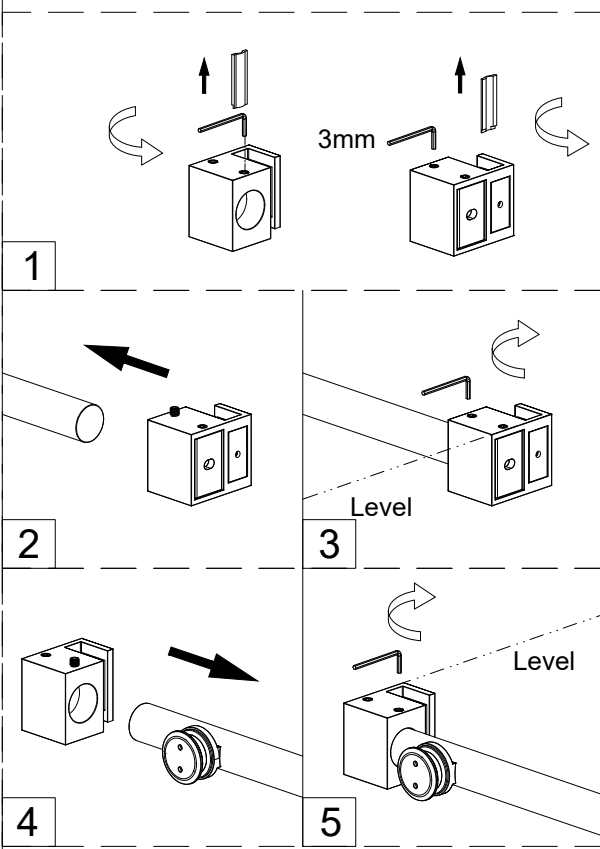
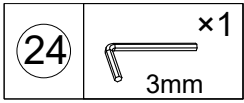
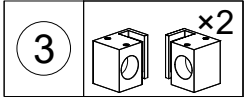
2

Install the crossbar on the fixed glass.



Can't be unscrewed

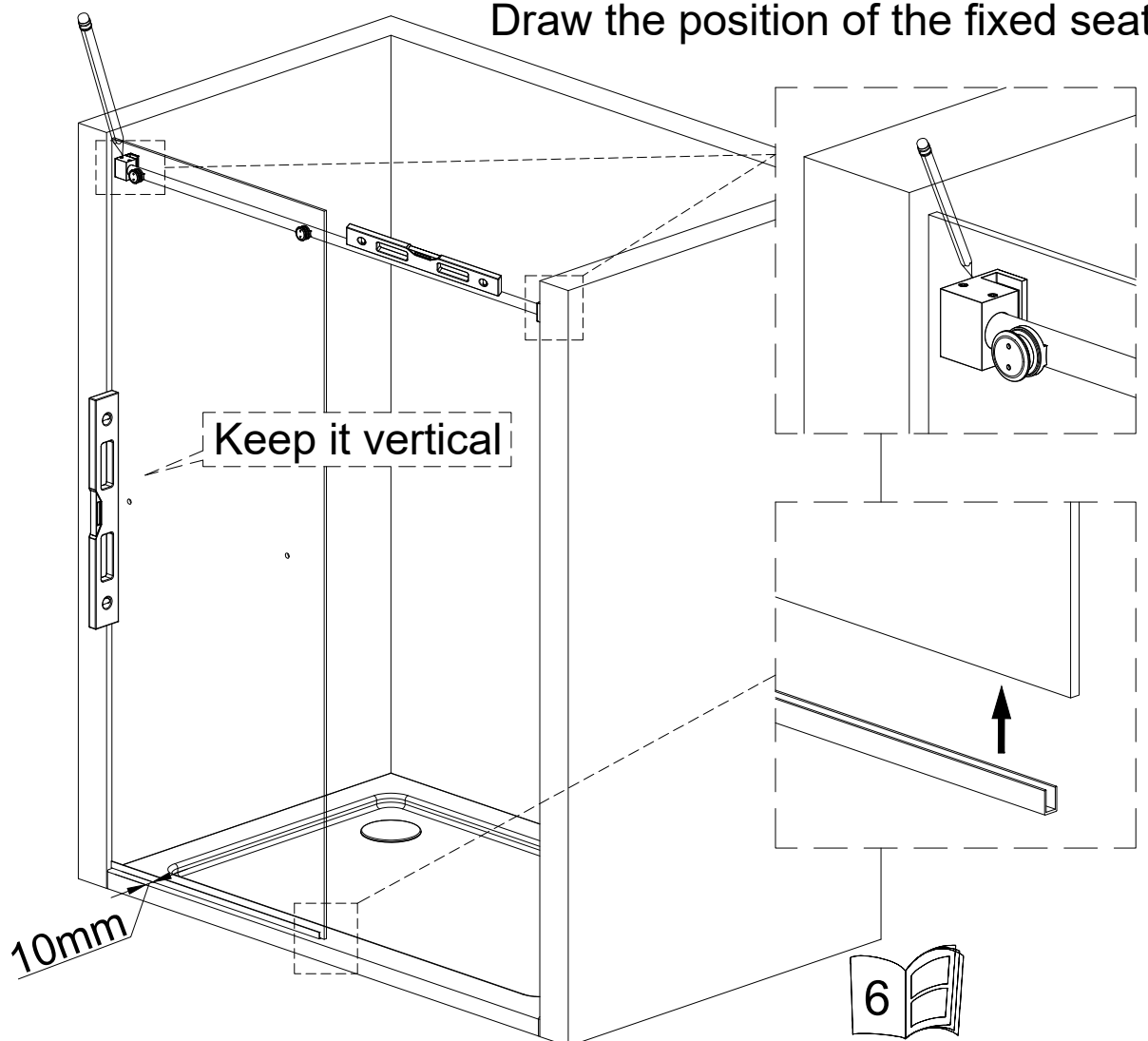
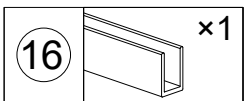
3



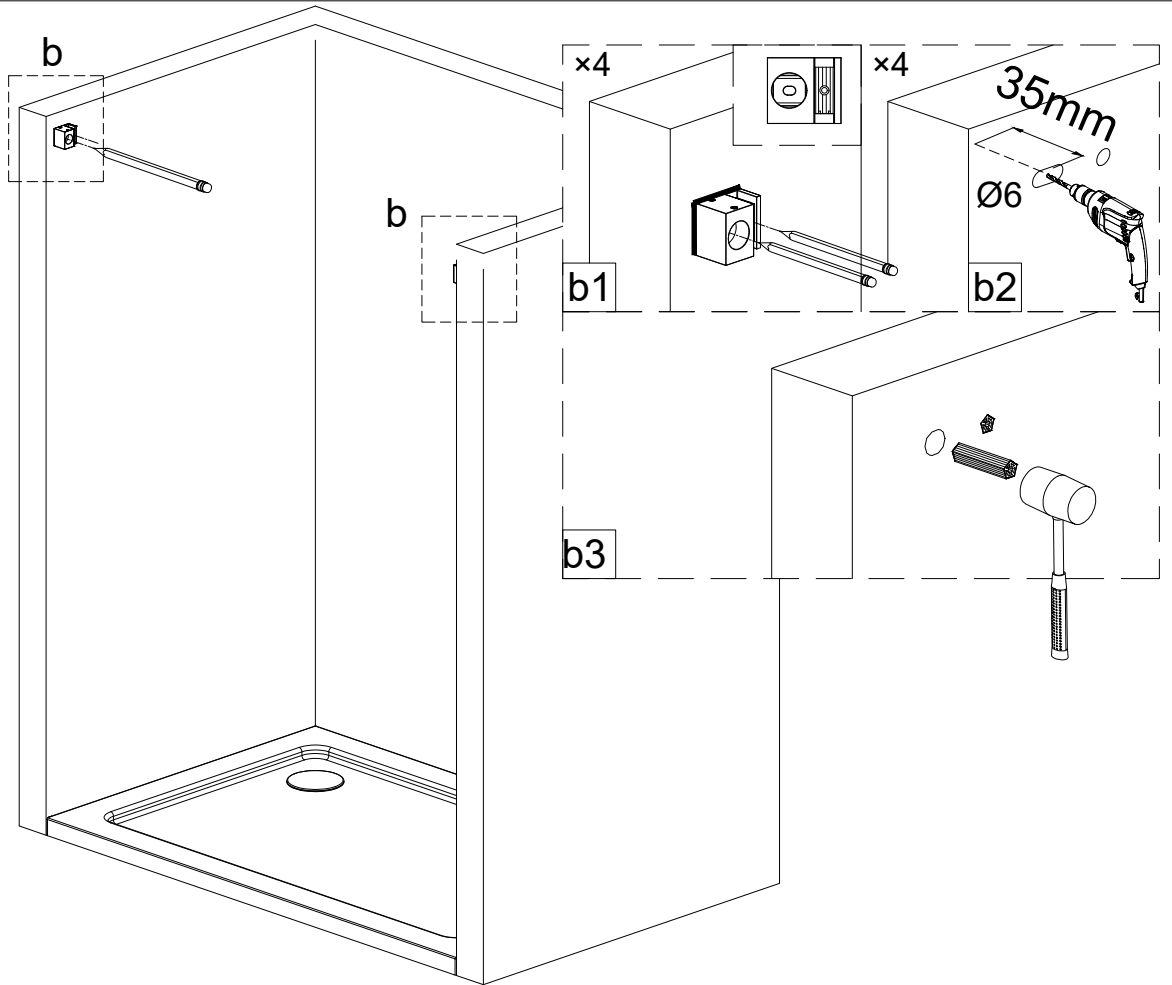
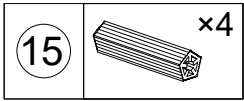
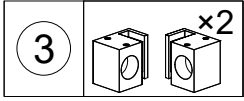
Install the fixed sleeve.

Draw the position of the fixed seat.

4

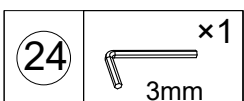
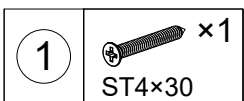
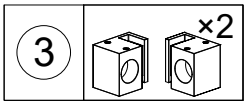


5

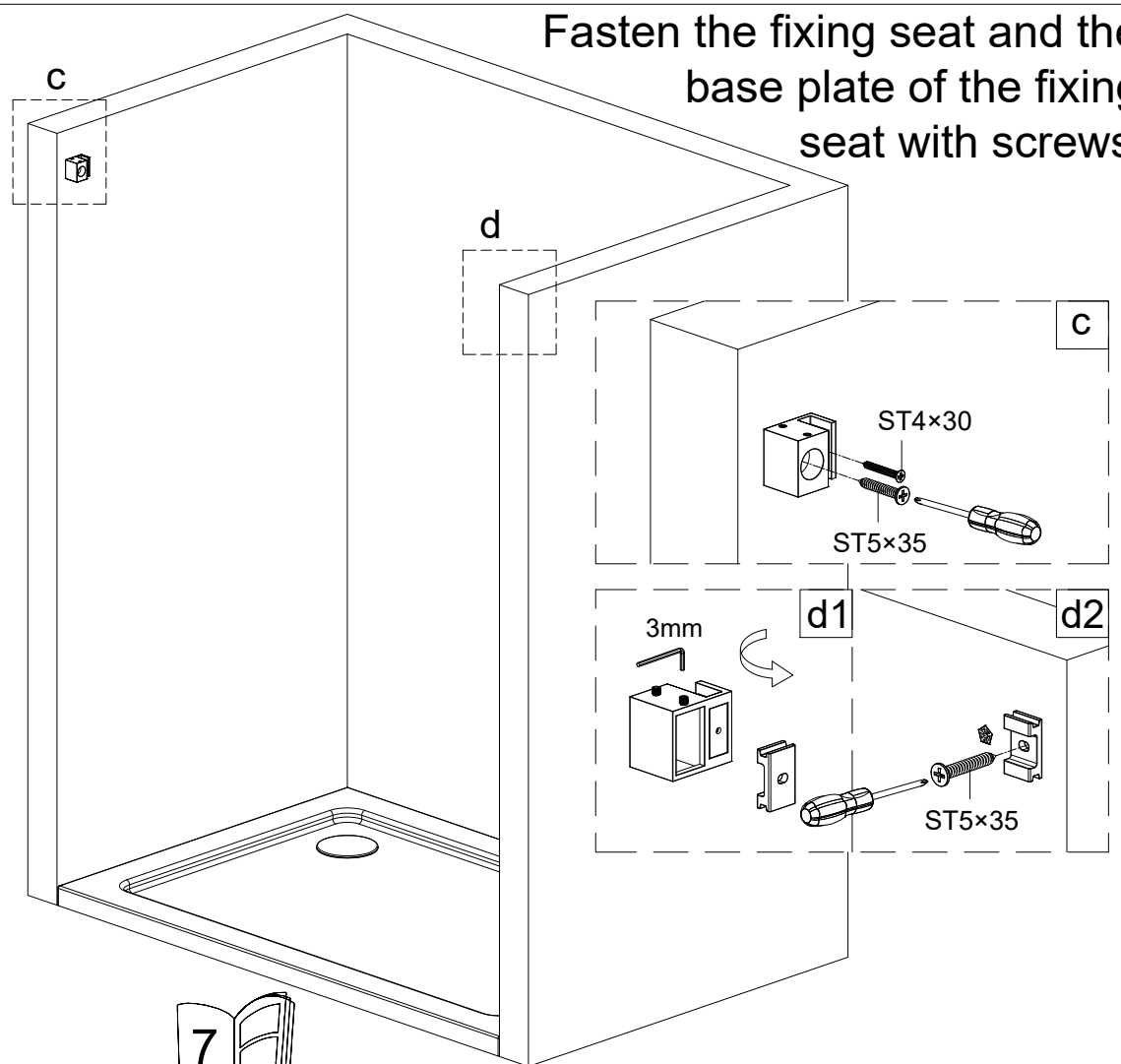


Draw the hole position according to the position of the fixed seat, drill holes, install expansion tubes.

6

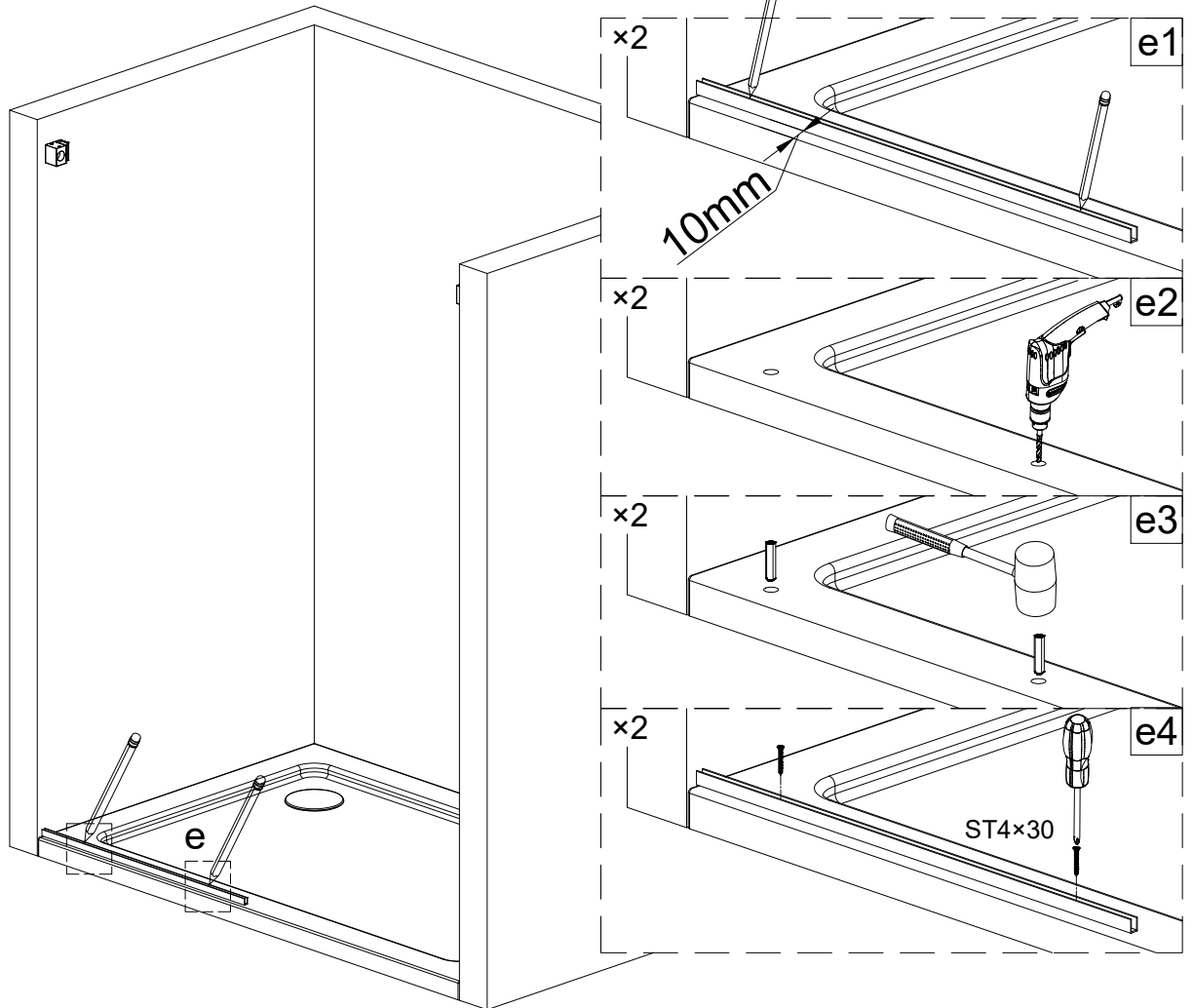
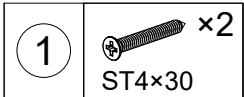
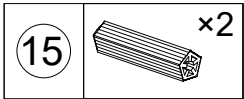
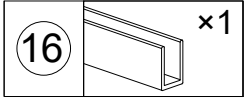


Fasten the fixing seat and the base plate of the fixing seat with screws.



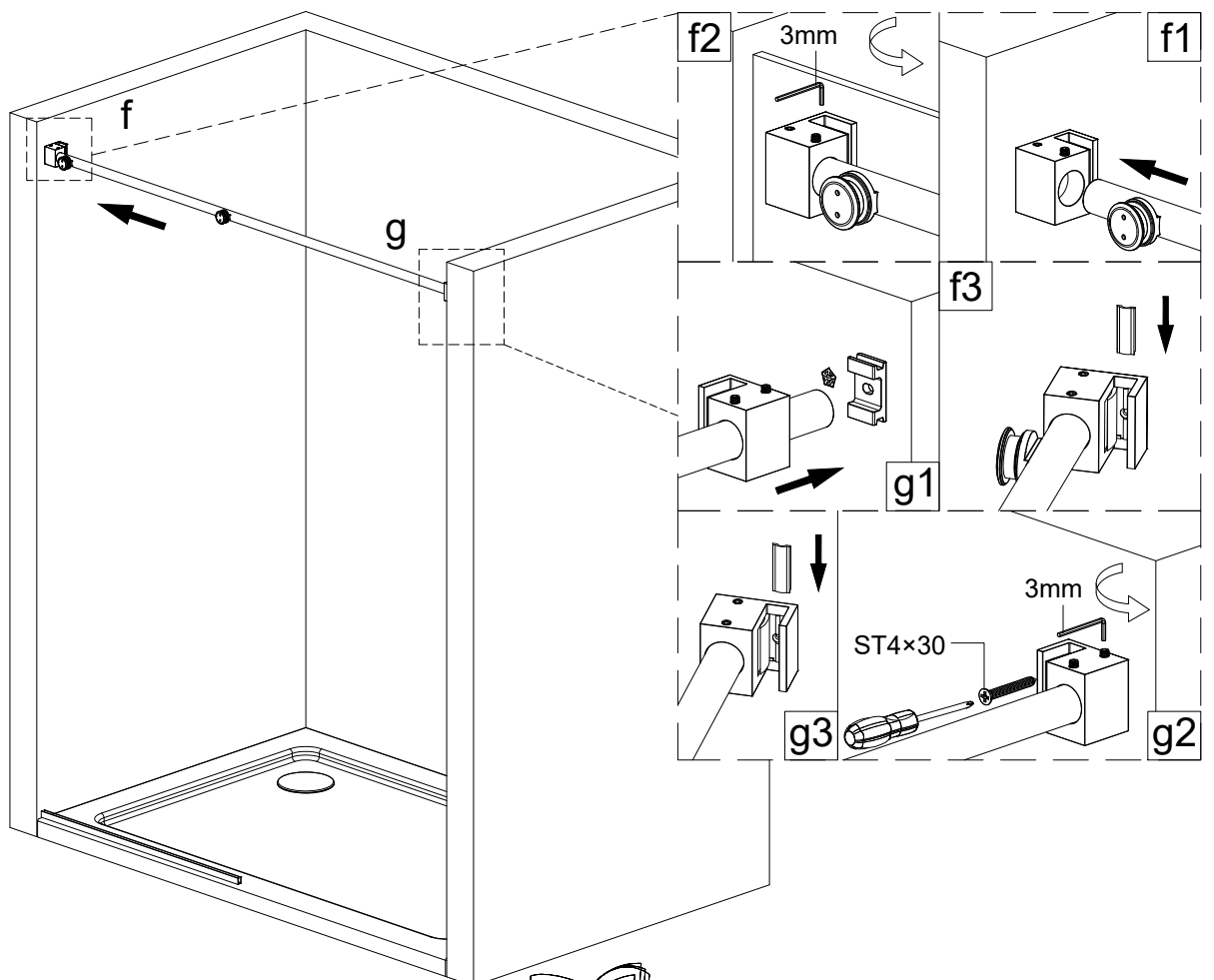
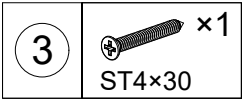
7

Install the bottom profile



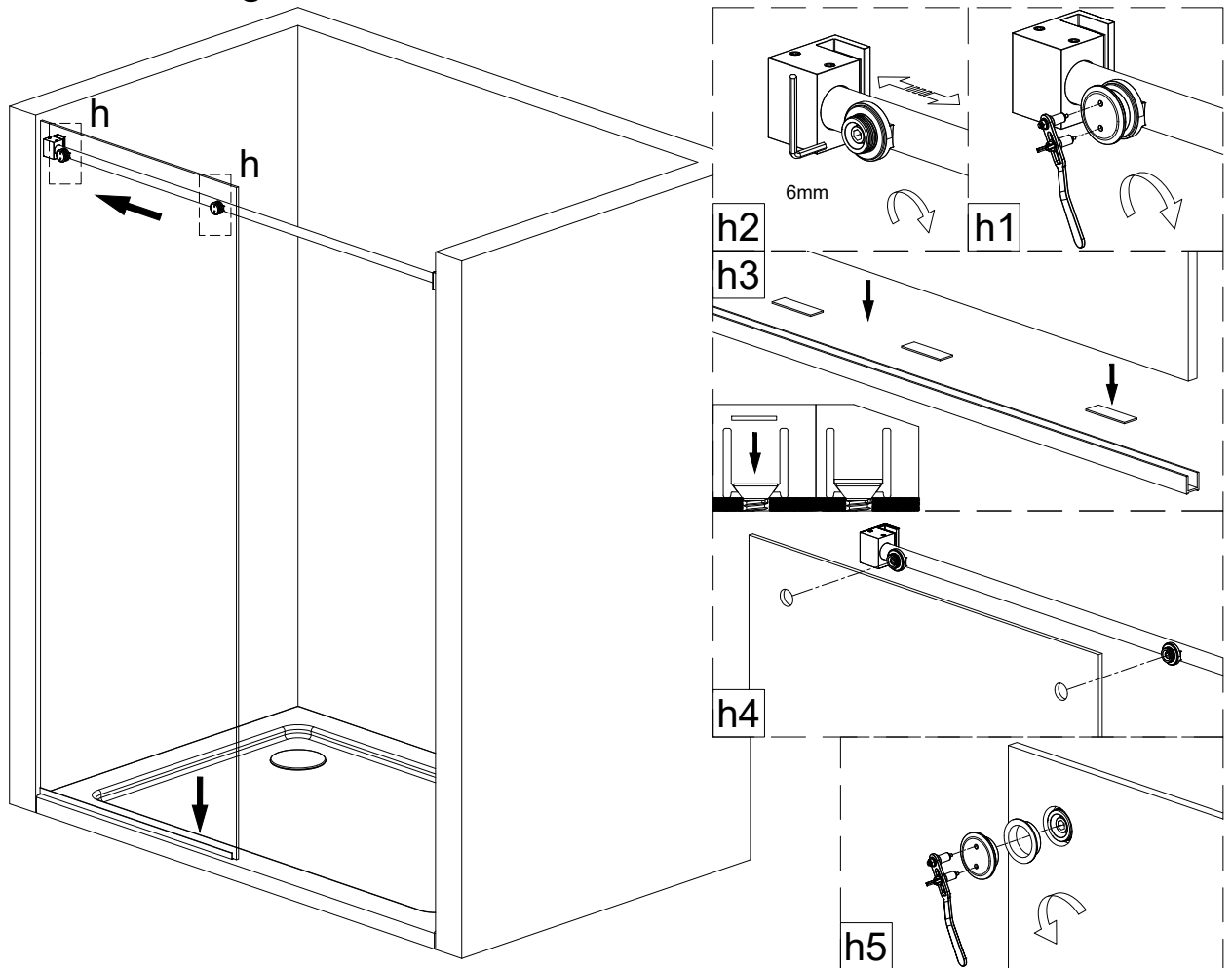
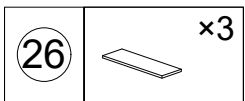
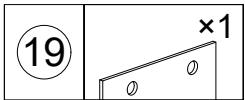
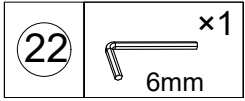
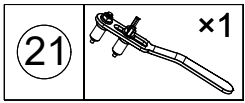
8

Mount the crossbar to the fixed bracket.

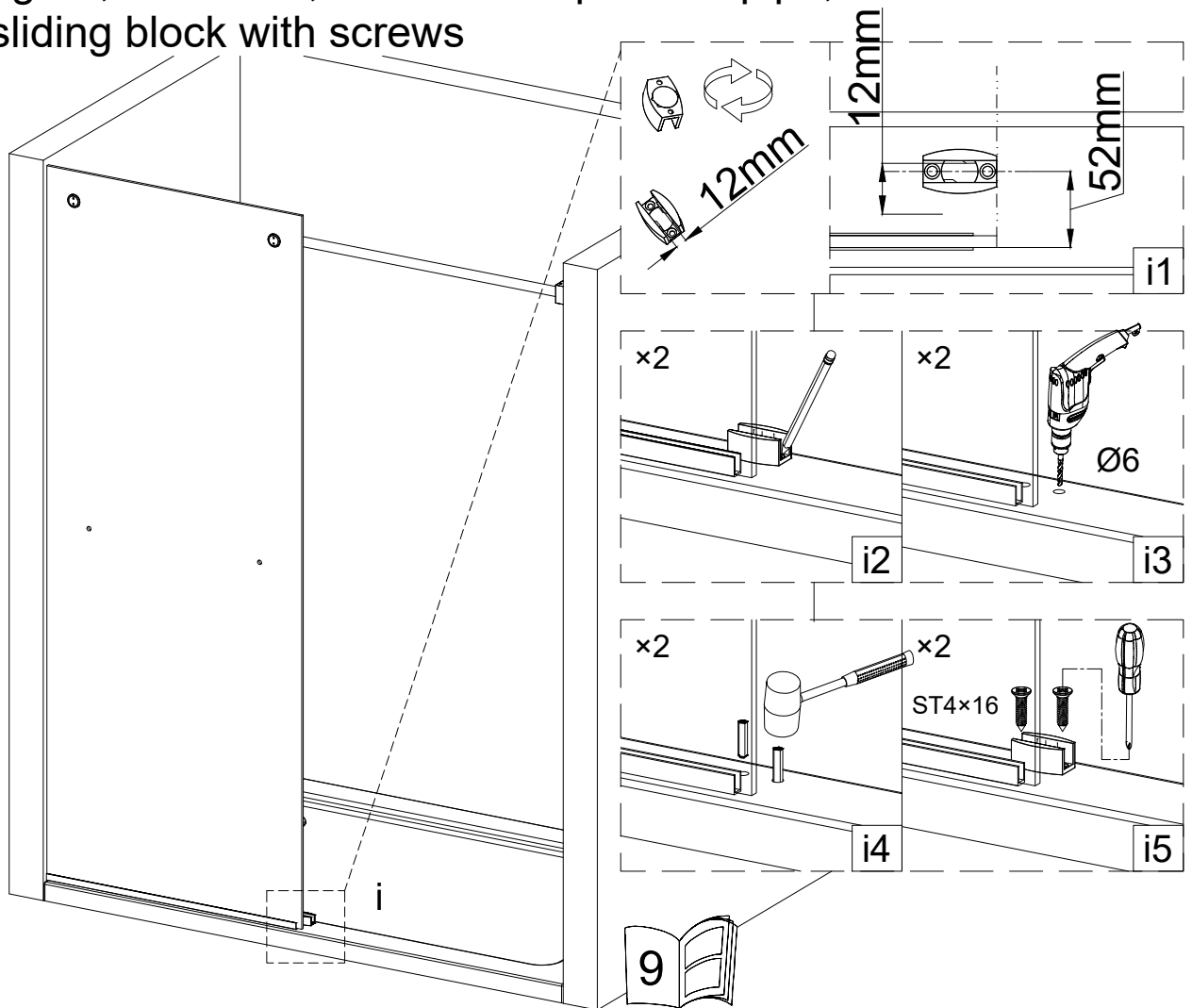
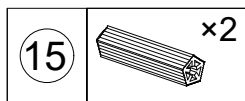
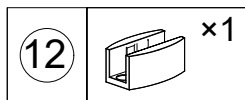


9

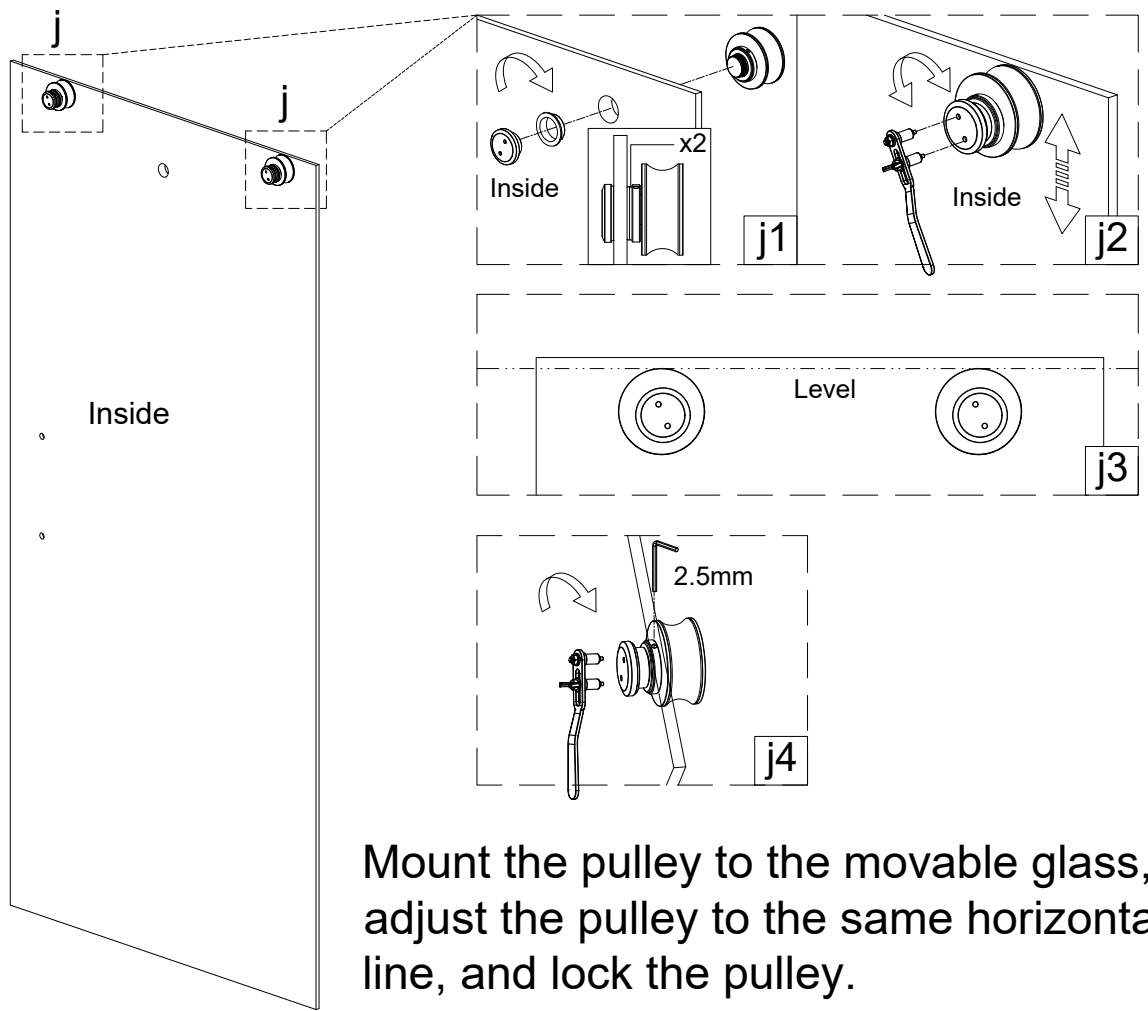
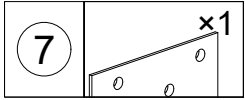
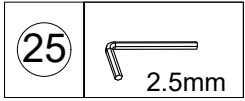
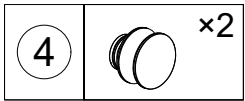
Fix the solid glass to the crossbar.

**10**

Draw the hole position of the sliding block according to the figure, drill holes, install the expansion pipe, and lock the sliding block with screws



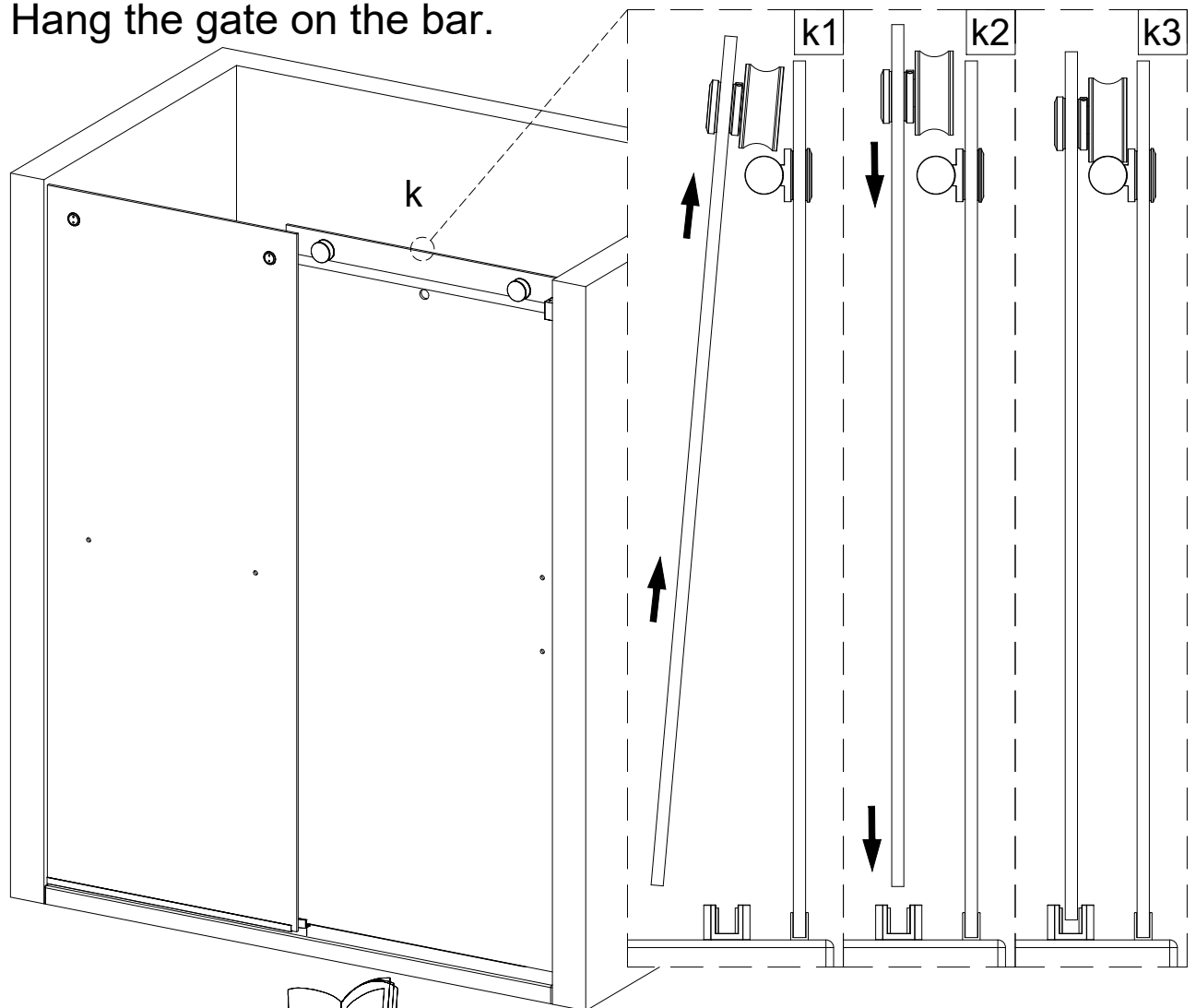
11



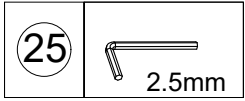
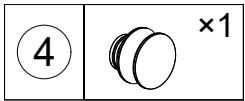
Mount the pulley to the movable glass, adjust the pulley to the same horizontal line, and lock the pulley.

12

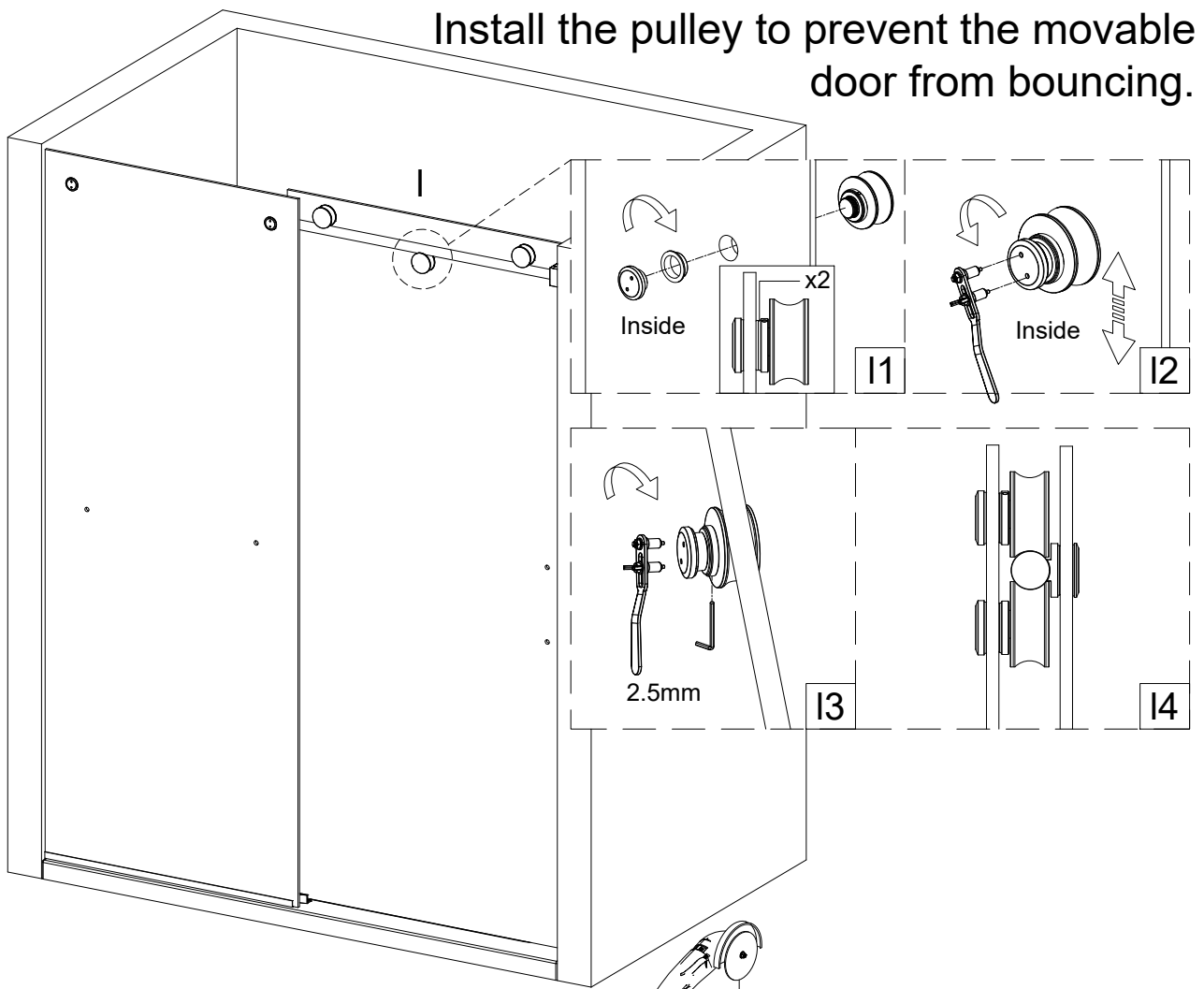
Hang the gate on the bar.



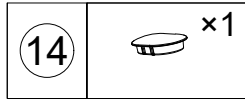
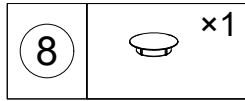
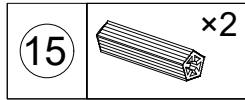
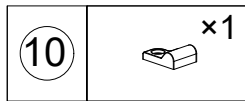
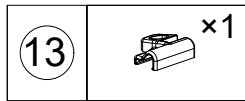
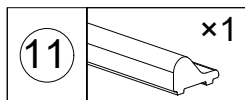
13



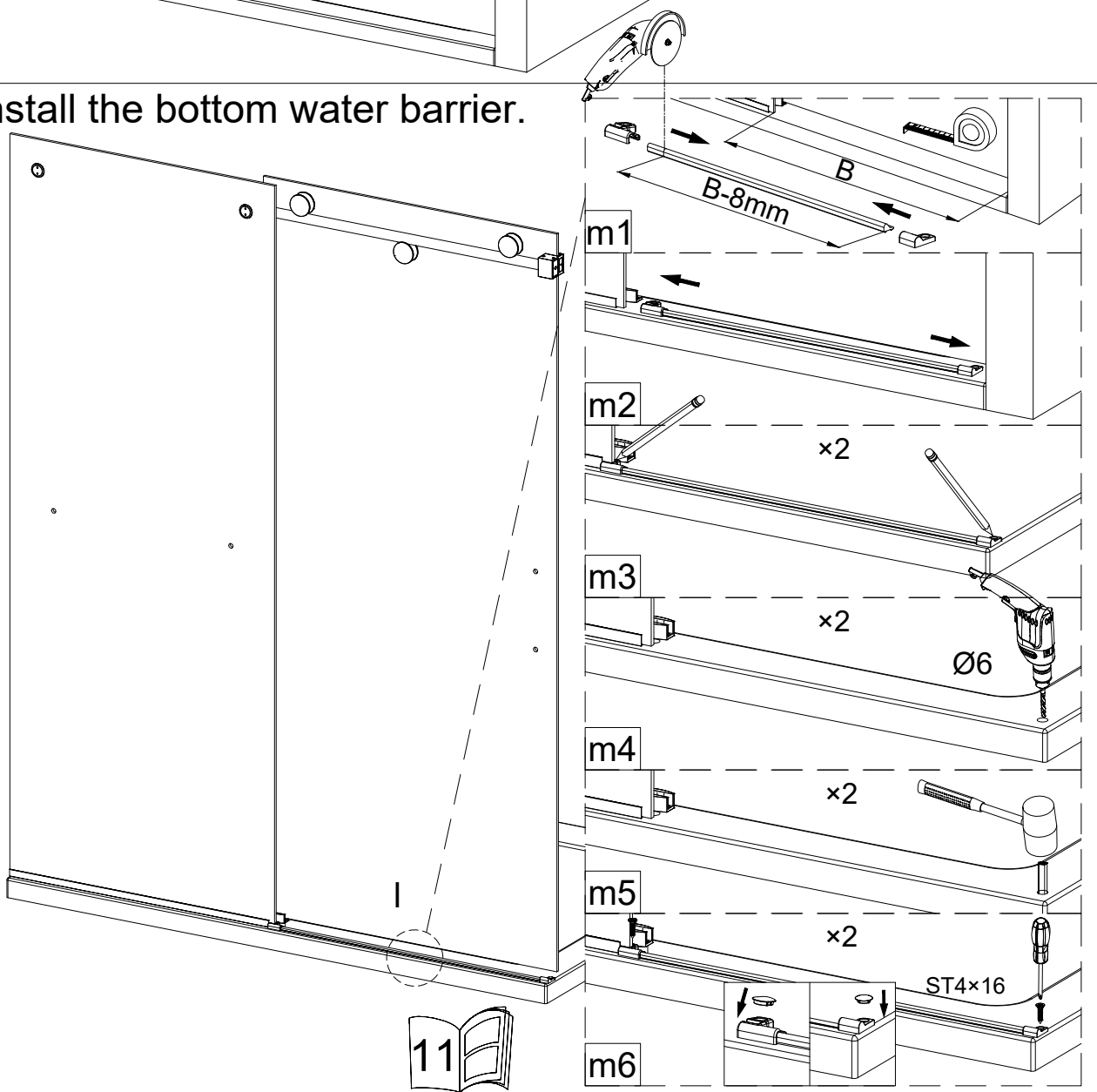
Install the pulley to prevent the movable door from bouncing.



14

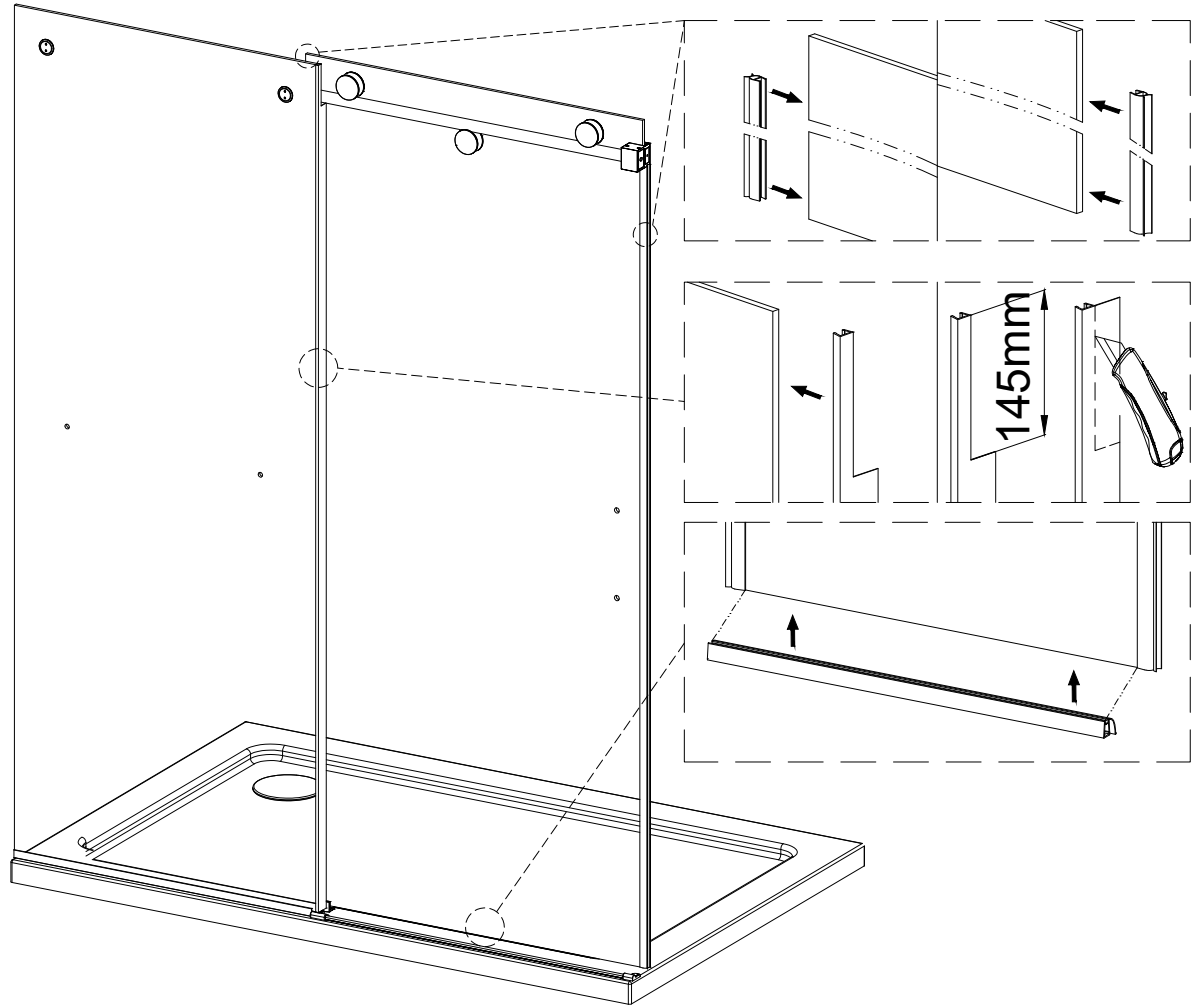
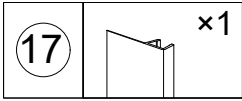
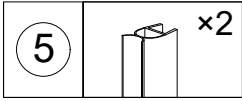


Install the bottom water barrier.



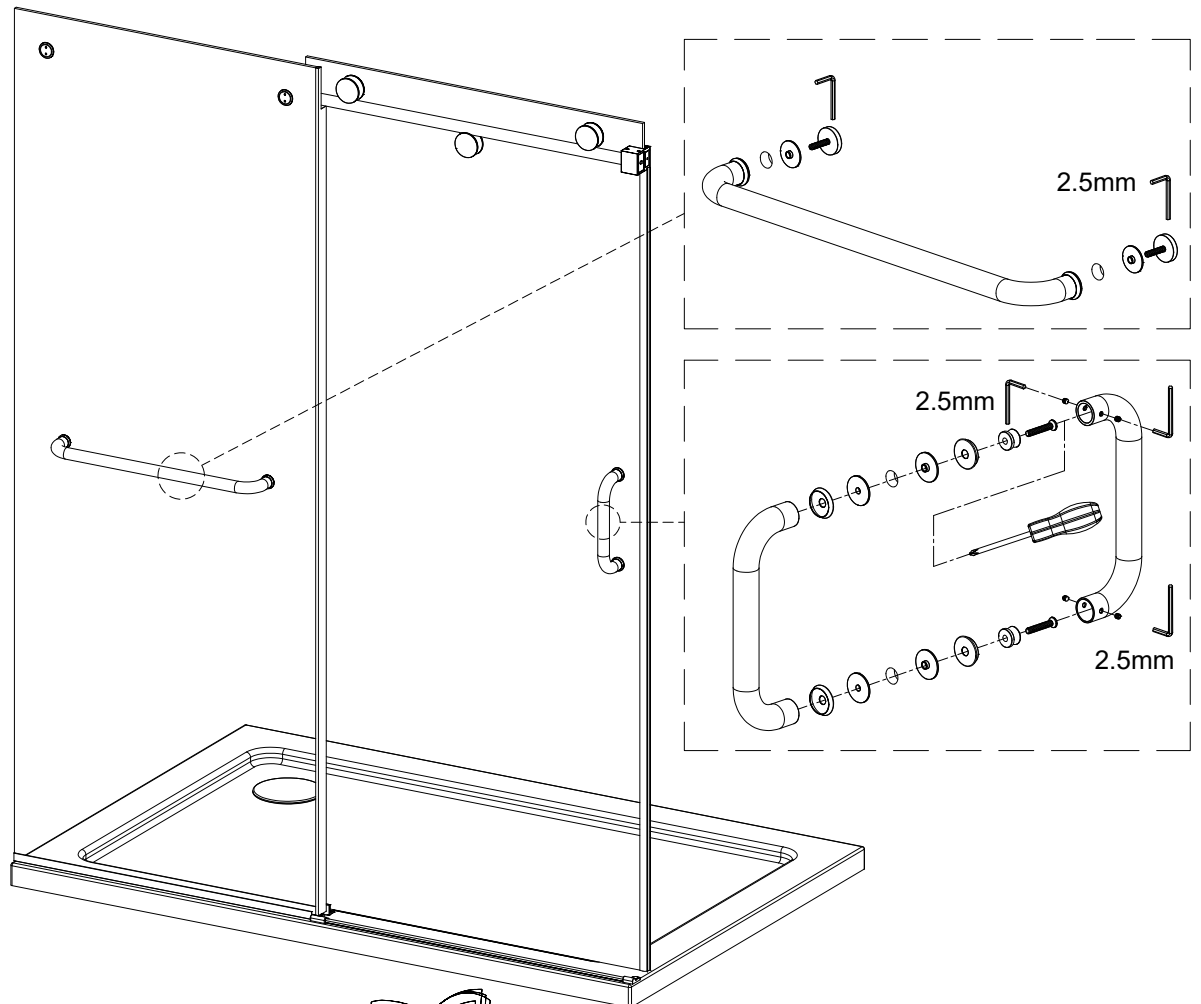
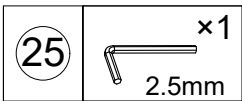
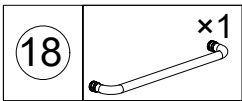
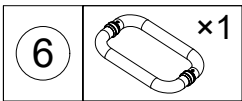
15

Install the waterproof strip.



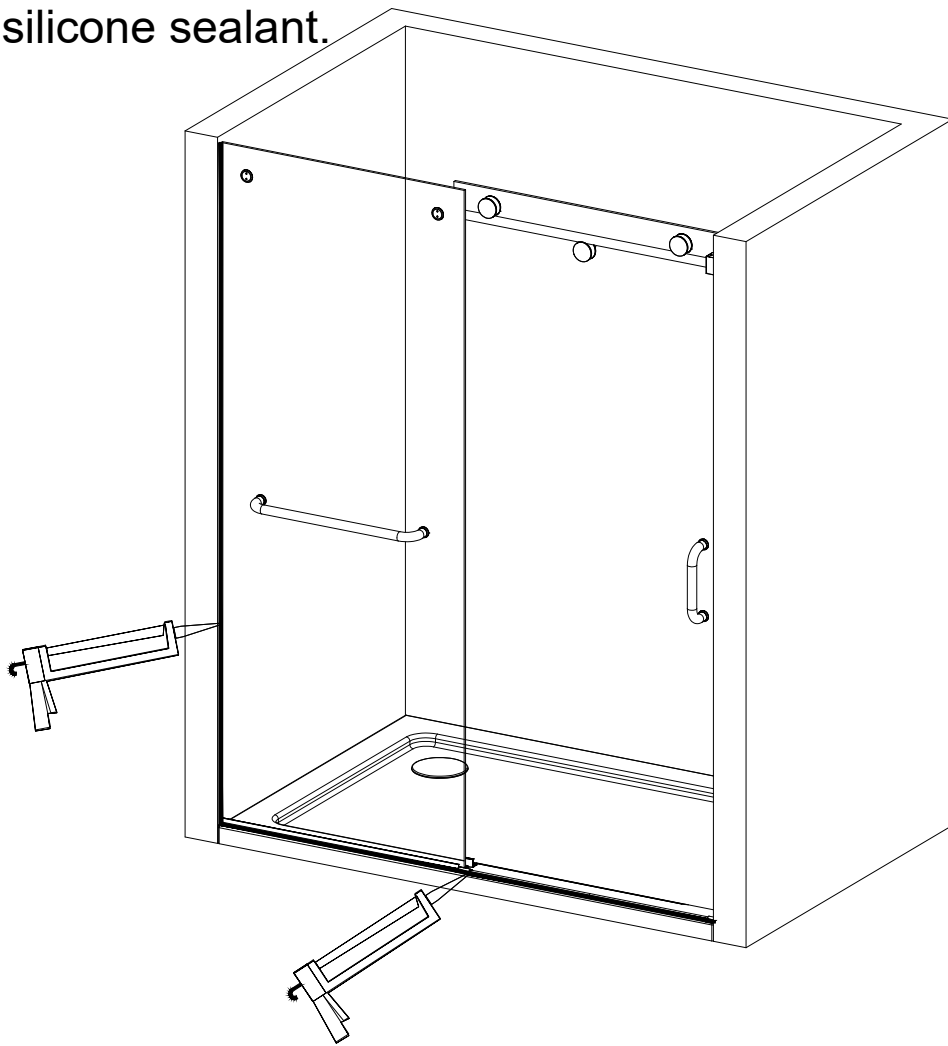
16

Install the handle.



17

Apply silicone sealant.



18

Apply silicone sealant.



MUST ALLOW SILICONE TO DRY FOR 24 HOURS BEFORE USING THE SHOWER.

