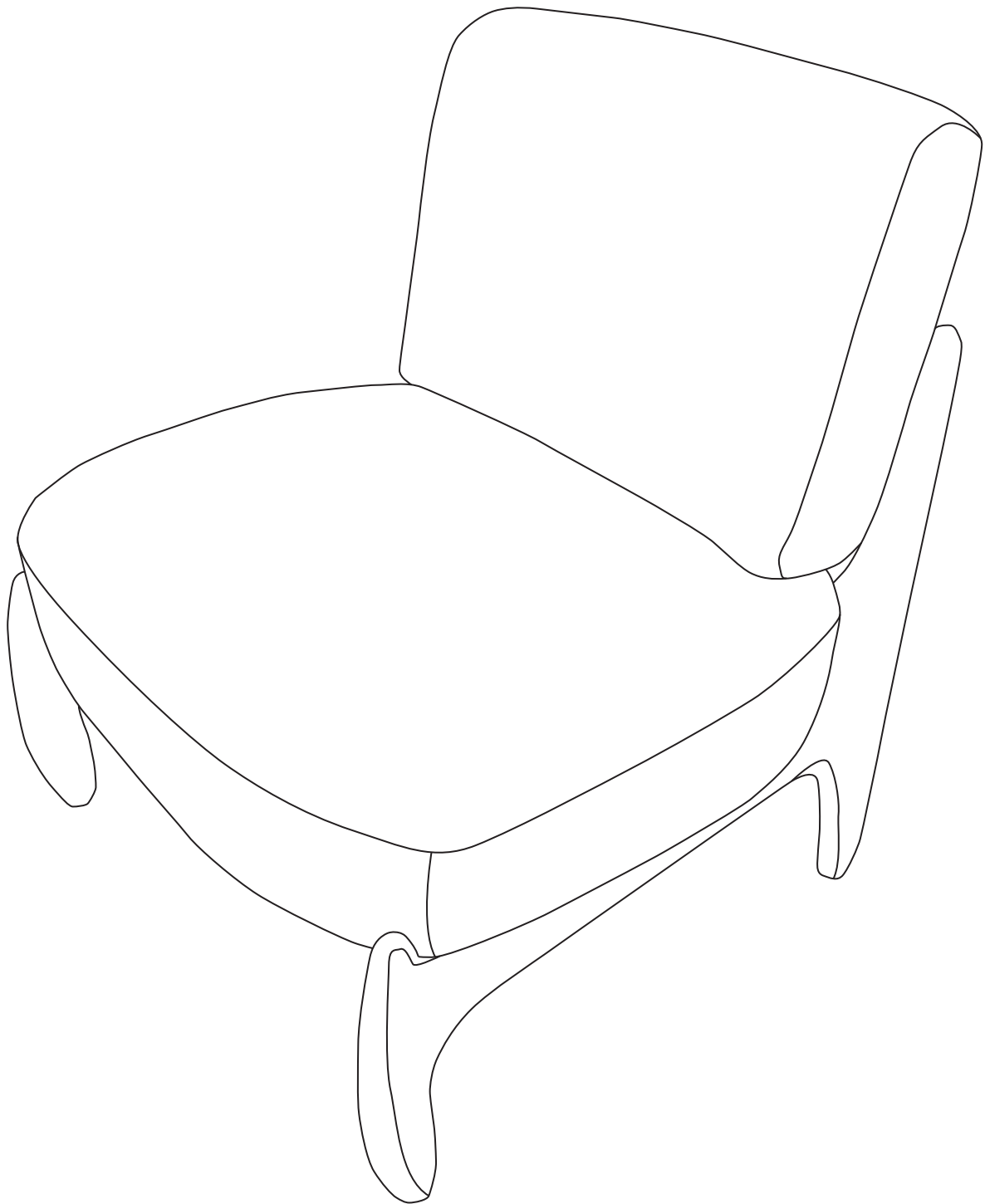


Assembly Instructions



Assembly Instructions

INSTALLATION GUIDE

ONE PERSON ASSEMBLY: 30 MINUTES (APPROXIMATE)

TOOLS REQUIRED: ALLEN WRENCH (PROVIDED)

BEFORE ASSEMBLY

- 1.Remove all packaging materials, staples and packing straps from the carton.
- 2.Confirm with Parts Checklist in Page 3.

ATTENTION

- 1.Leave sufficient space for assembly.
- 2.Do not assemble on the ground that may hurt the product.
- 3.Do not over-tighten any fittings as it may cause damage.
- 4.DO NOT USE POWER TOOLS TO ASSEMBLE THIS PRODUCT.
- 5.Do not sit or stand on it before the assembly is complete.

DAILY MAINTENANCE

- 1.Recommended for indoor use only.
- 2.Wipe with a soft, dry cloth. Keep away from abrasives and household cleaners.
- 3.Check all the fittings periodically and re-tighten if necessary. Do not use the product if any part is damaged or broken.

Warranty & Return Policy

Accent chairs are warranted from the date of purchase due to material and workmanship factors. Details as follows:

1 YEAR on all fabric and foam.

1 YEAR on component parts, including the wooden frame, and other structural parts.

To make a warranty claim, please contact us with model number purchase proof, problem descriptions as well as pictures or videos that shows the problem clearly.

Problem verified, We will:

a) Send replacement parts.

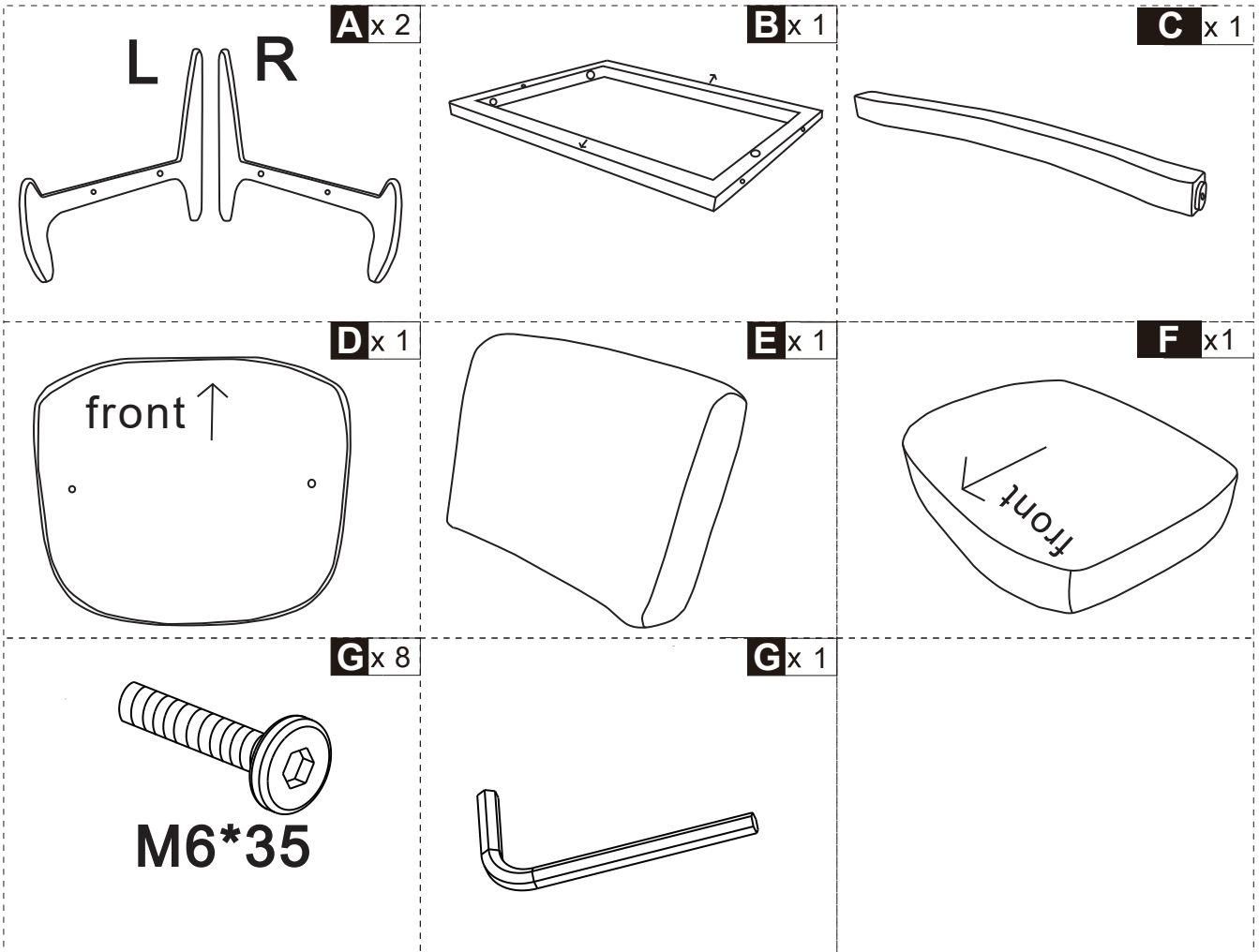
b) Send a new product if necessary, customer need to return the original item to our warehouse.

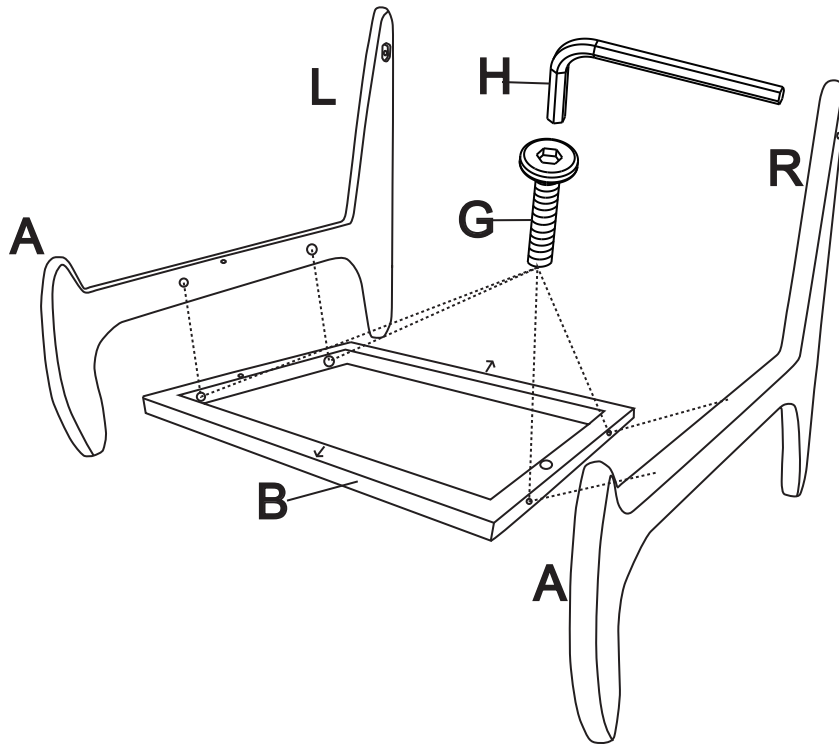
RETURN POLICY

30 days return policy after receiving is provided. We offer prepaid return labels for product quality issues.

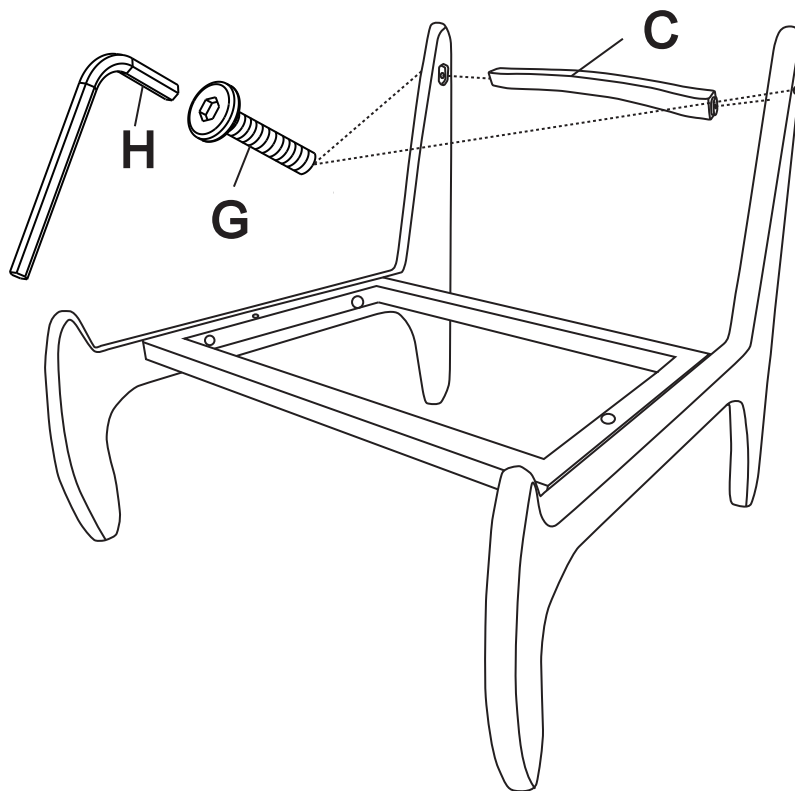
Note: Original Box has to be kept for the return until you decide to keep the item.

PARTS CHECKLIST

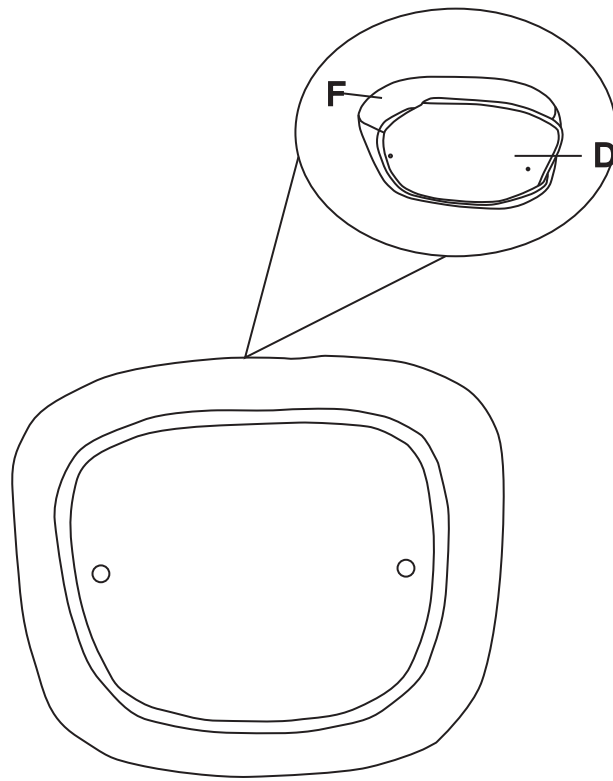




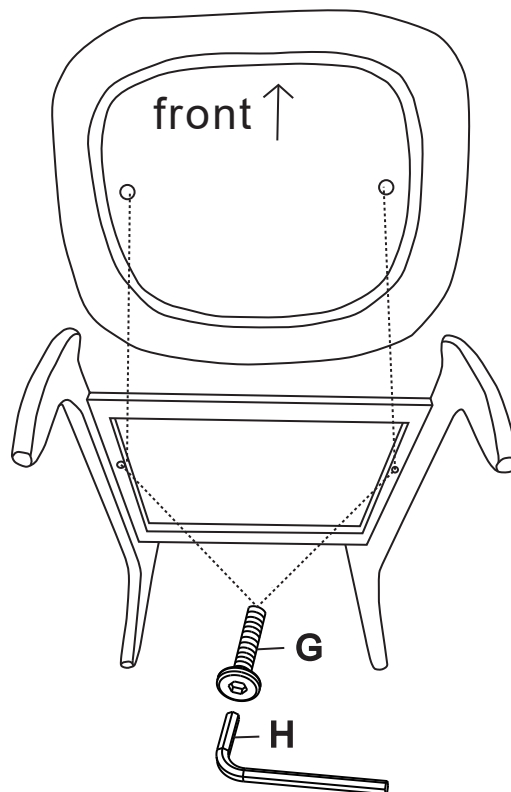
Step 1: Attach Side Panels [A] to the Base Frame [B] with Screws [G].
Tighten to approximately **80%** to allow for adjustments later.



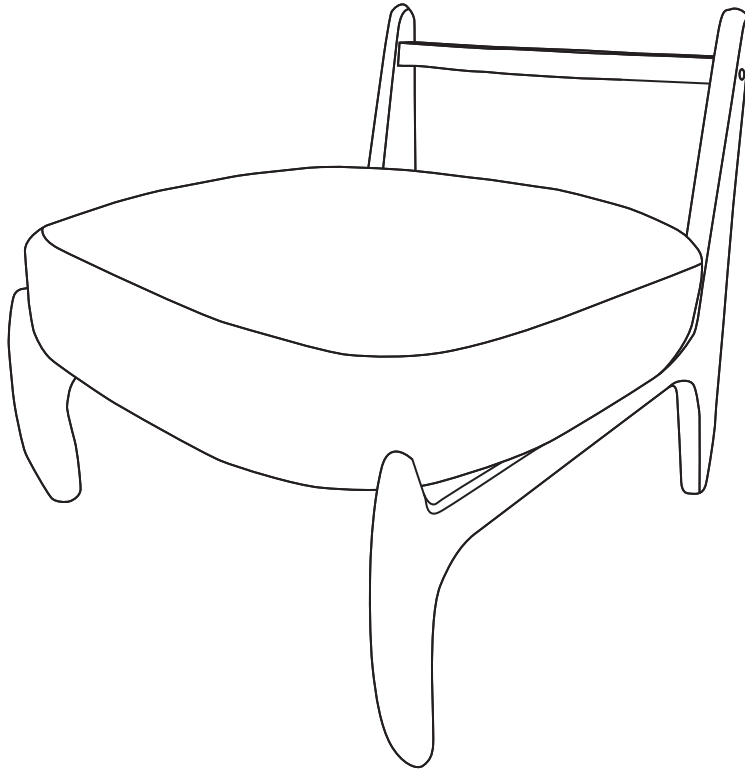
Step 2: Attach part [C] to the Side Panels [A] with Screws [G].



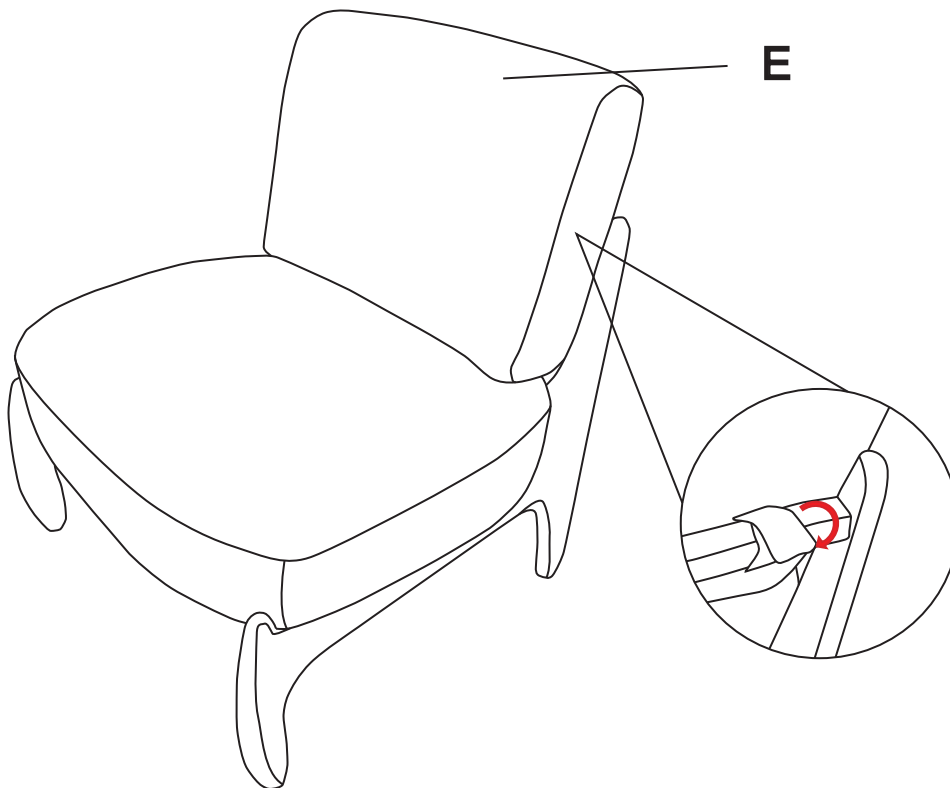
Step 3: Insert the Wooden Board [D] into the Fabric Cover [F].



Step 4 : Attach the seat to the Base Frame [B] with Screws [G].



Step 5: Turn the chair over and adjust the cover.



Step 6 : Place the Back Pillow [E] into the seat and velcro it in place.

Missing something?

We work very hard to ship a perfect product, but sometimes furniture or hardware go missing or get damaged in transit.

Please contact us and we'll quickly make it right.