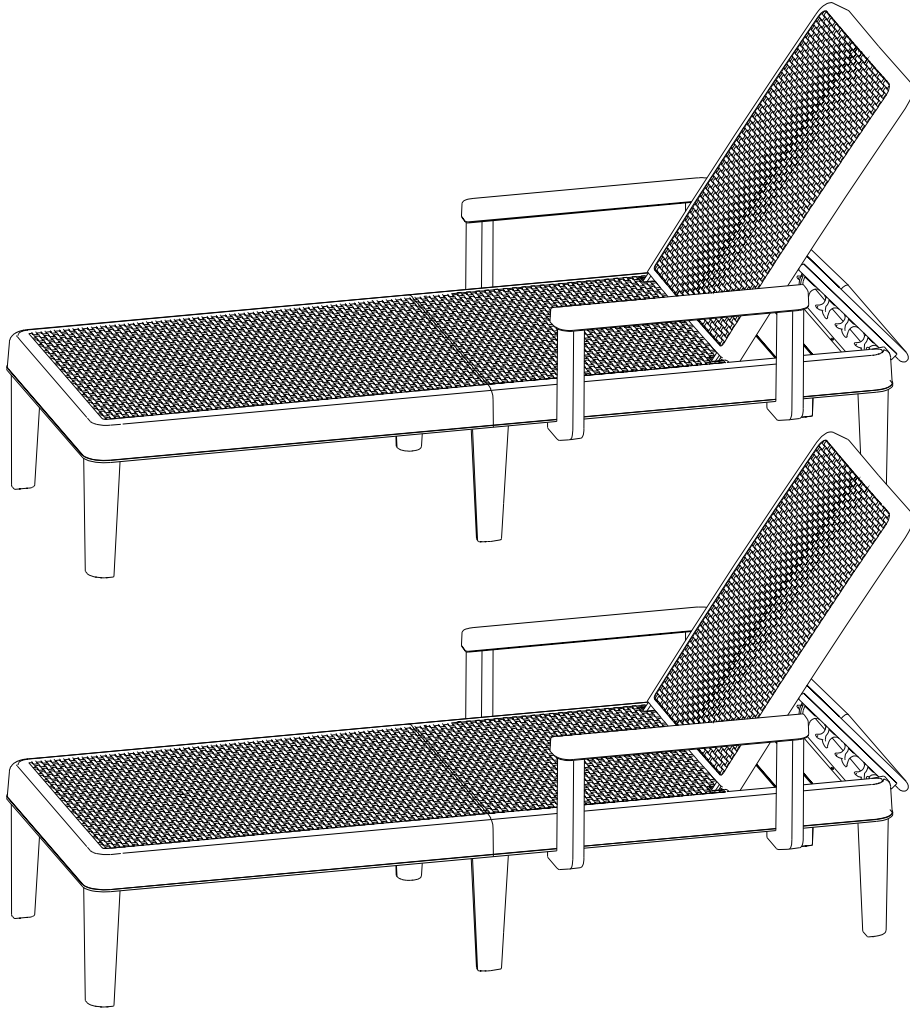




2 Pcs Patio Chaise Lounge with Arm



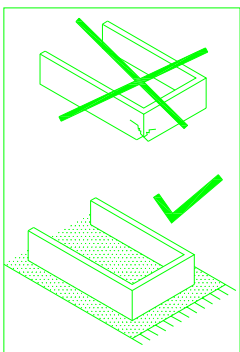
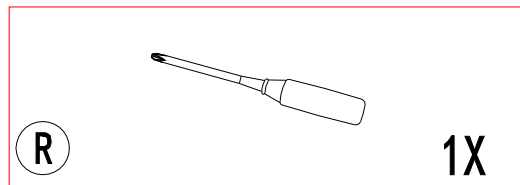
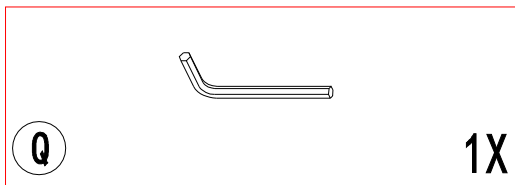
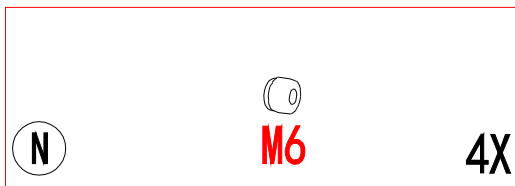
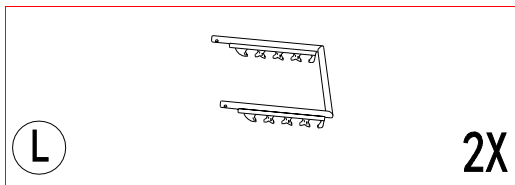
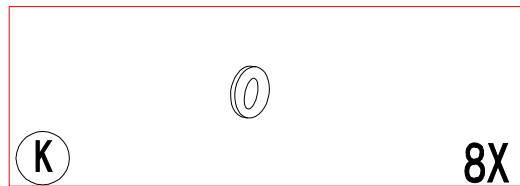
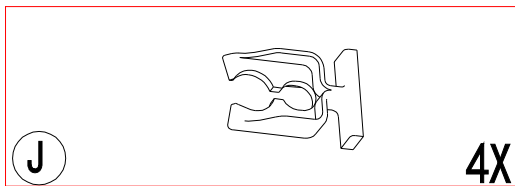
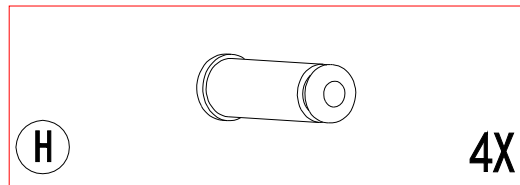
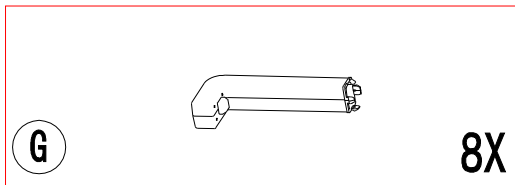
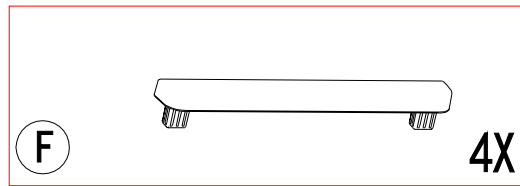
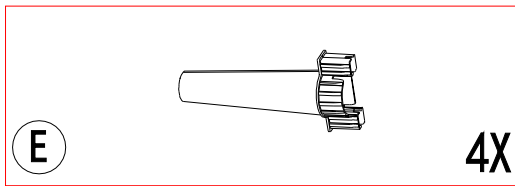
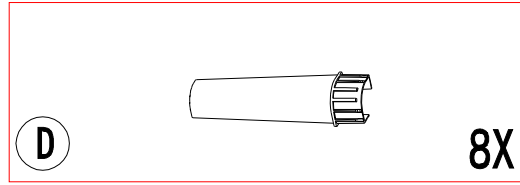
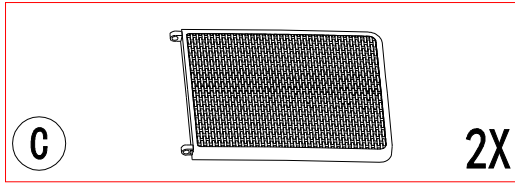
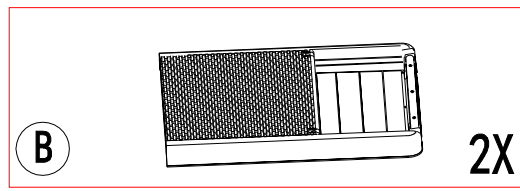
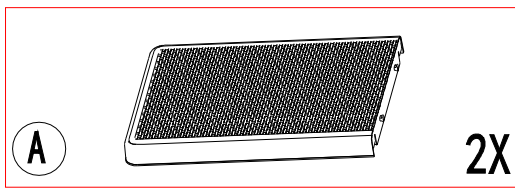
MODEL# :LLDZ0613

Missing part? Damaged? Contact us via email at

service@domioutdoorliving.com

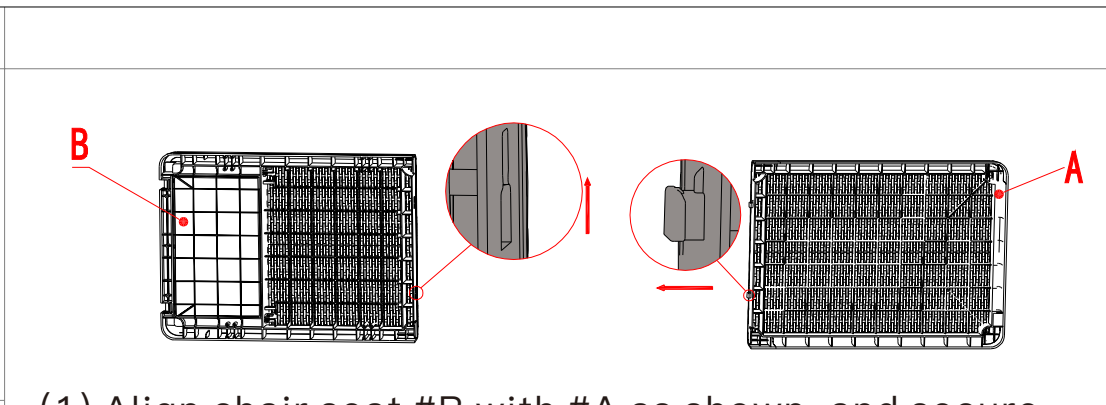
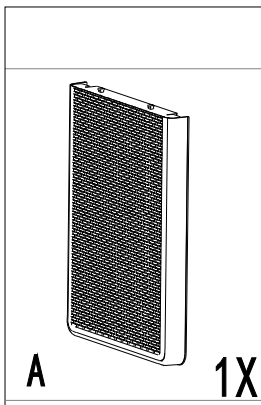
www.domioutdoorliving.com

© Copyright 2023–2025 domioutdoorliving LLC. All Rights Reserved.

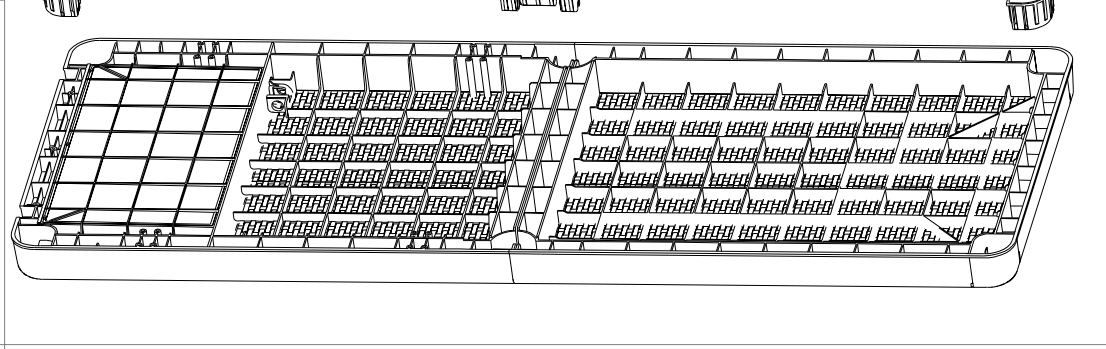
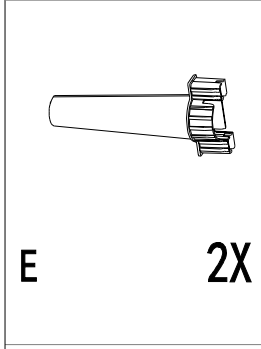
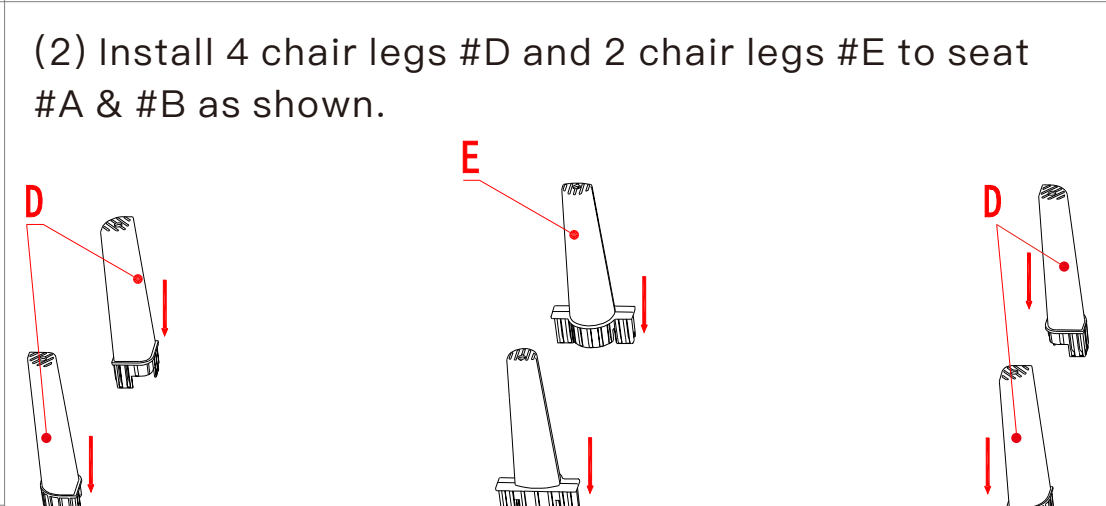
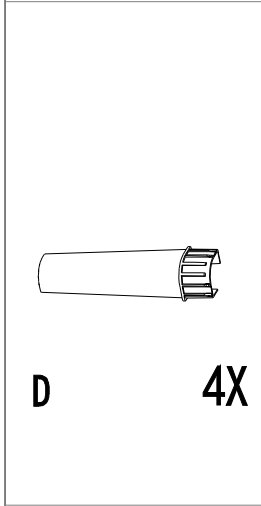
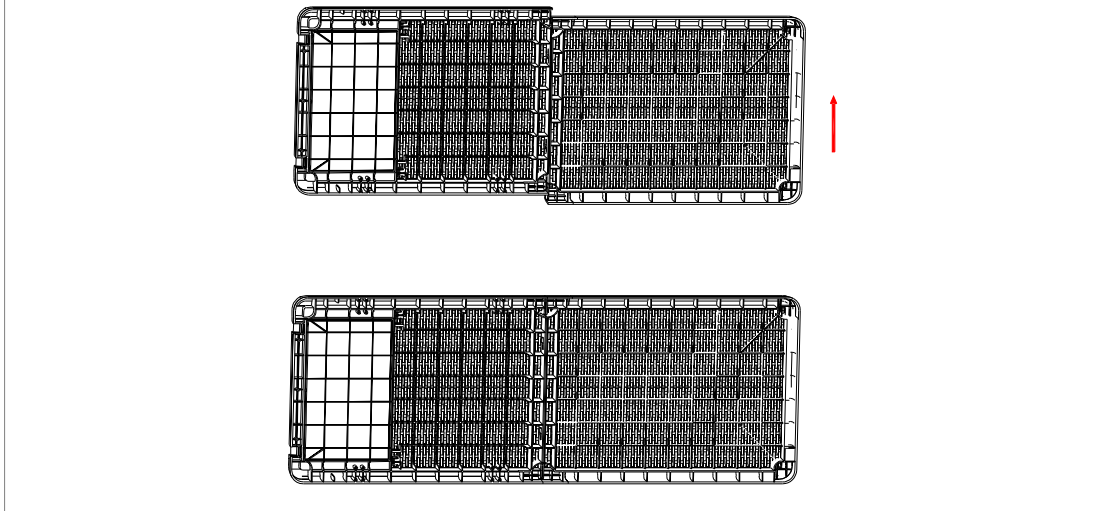
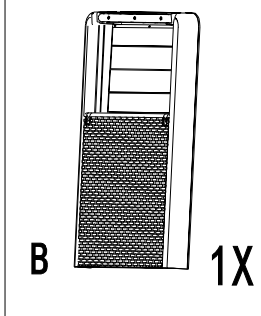


1

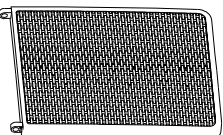
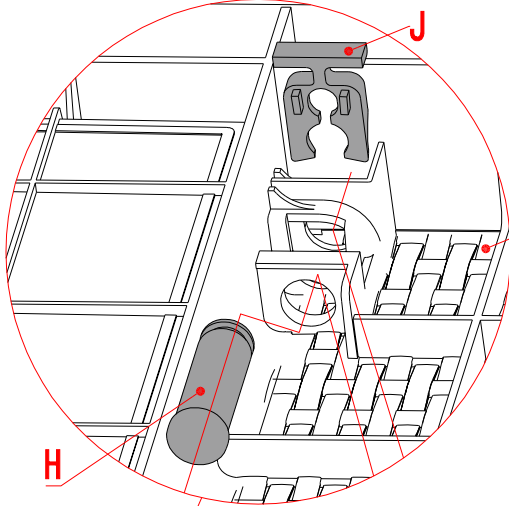
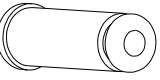
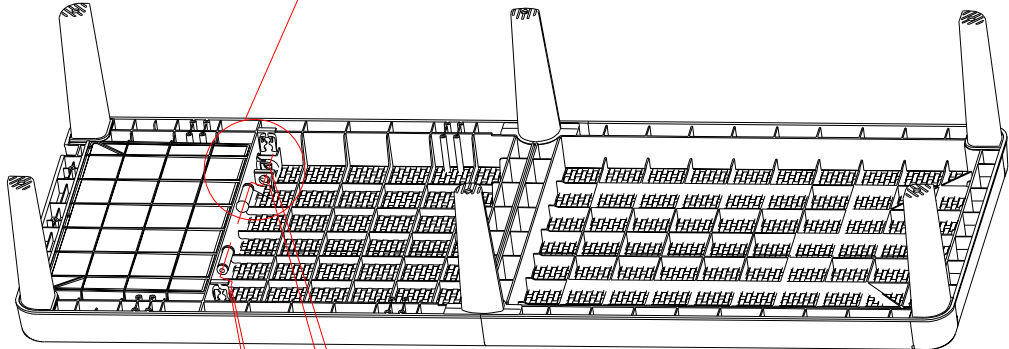
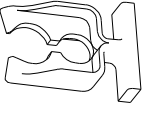
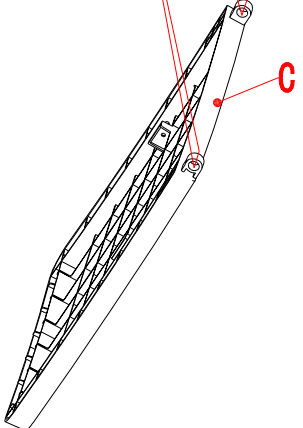
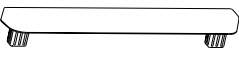
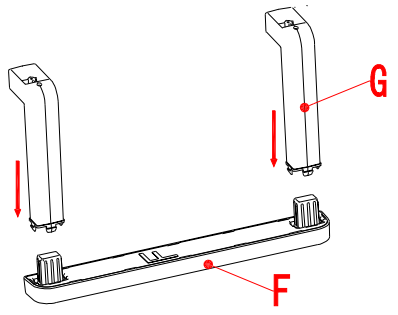
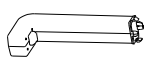
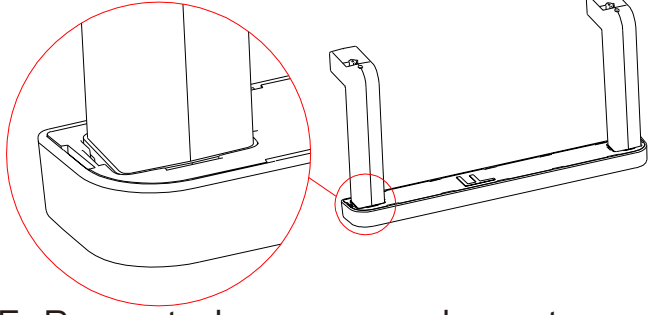
Note: Don't tighten the screws during assembly.
Tighten them all at once after all screws are in place.

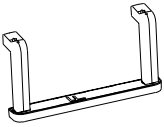
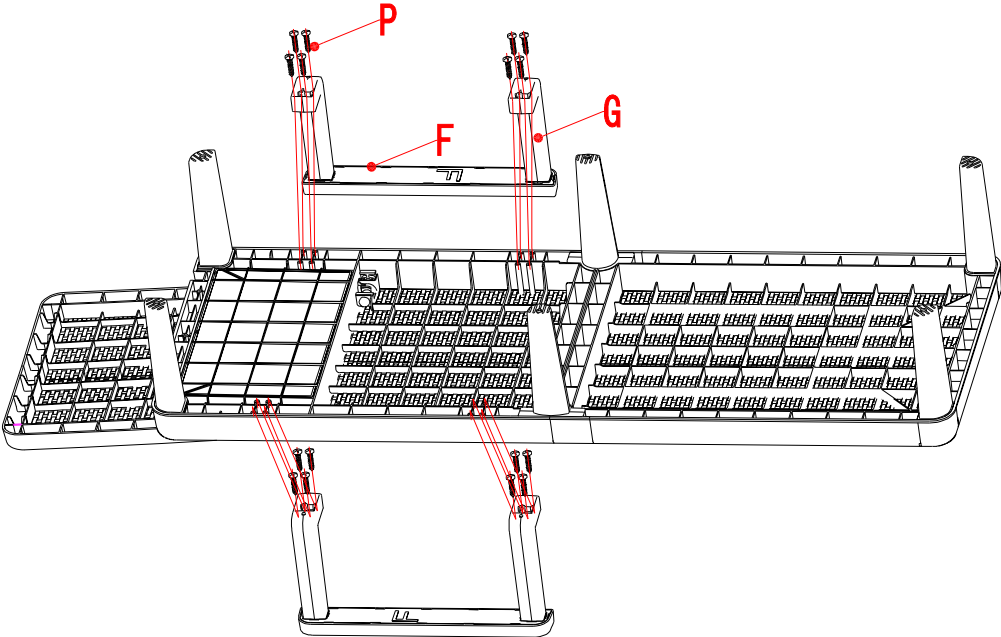

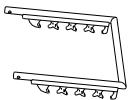
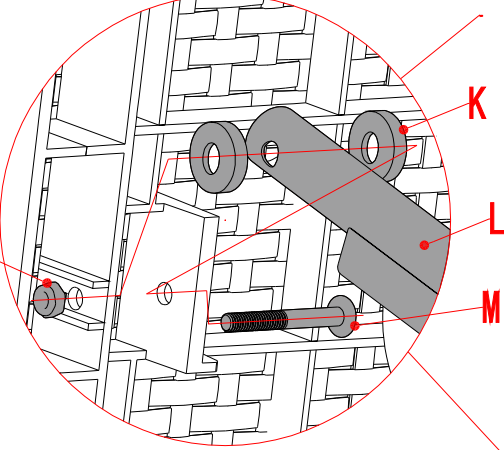
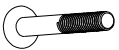
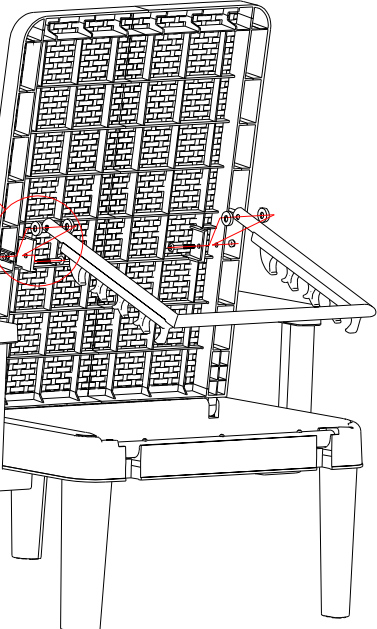

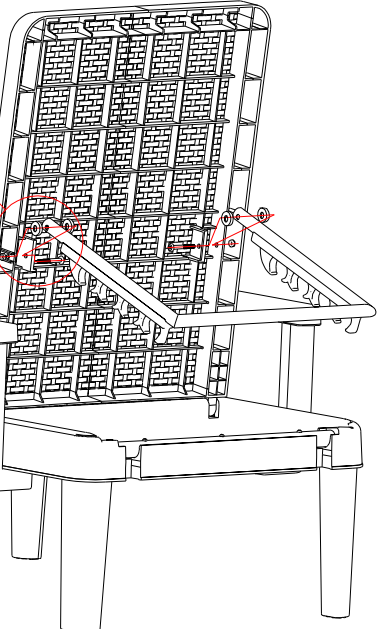



(1) Align chair seat #B with #A as shown, and secure #A to #B from bottom to top.



2

 <p>C 1X</p>	
 <p>H 2X</p>	
 <p>J 2X</p>	 <p>(1) Connect chair back #C to chair seat #B, install #H first, and then install #J to fix.</p>
 <p>F 2X</p>	
 <p>G 4X</p>	 <p>(2) Install 2 #G onto #F. Repeat above procedures to assemble the other handrail.</p>
<p>3</p>	

 <p>F G 2X</p>	
 <p>P 16X</p>	<p>Use 16 #P to secure 2 handrails #F G to the sides of the chaise lounge as shown.</p>
 <p>L 1X</p>	
 <p>M6*45 M 2X</p>	
 <p>K 4X</p>	
 <p>M6 N 2X</p>	<p>Install #M, #K, #L, and #K on #C in sequence from the inside out, and secure them with #N as shown.</p>
<p>4</p>	<p>Repeat above procedures to assemble another chair.</p>



Thanks for your purchase.

At domi outdoor living, we believe in our products.

That's why we provide a 12-month warranty and

friendly, easy-to-reach after-sales service. So if you

have any questions about our product and assembly-

,please feel free to contact us. We will be here for you.

Support:  

After-sales contact email:

service@domioutdoorliving.com

Business cooperation contact email:

marketing@domioutdoorliving.com

Please tell us your order ID when contact.

Attach photos of damaged part for instant reply.