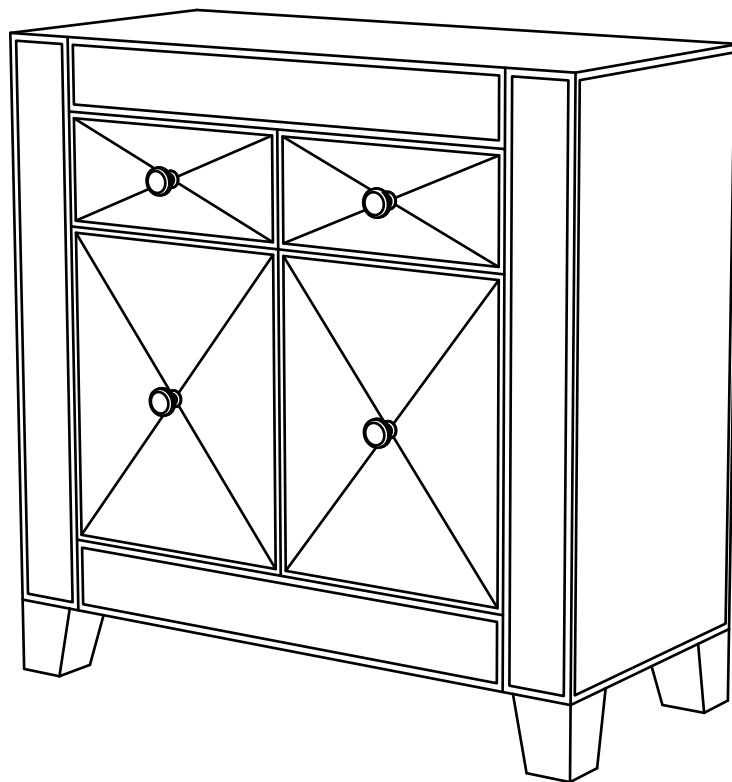


MIRROR CABINET



ASSEMBLY INSTRUCTIONS

We have designed our furniture with you, the customer in mind. Our clear, easy to follow, step by step instructions will guide you through the project from start to finish. Feel confident that this will be a fun and rewarding project. The final product will be a quality piece of furniture that will go together smoothly and give years of enjoyment.



Please do not return to the store
Broken or missing parts?
Need help with assembly?

Hardware List

A



Screw and washer (4pcs)

B



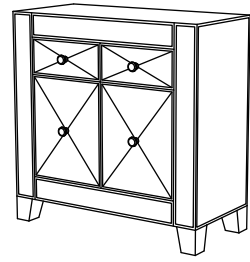
Knob (4pcs)

C



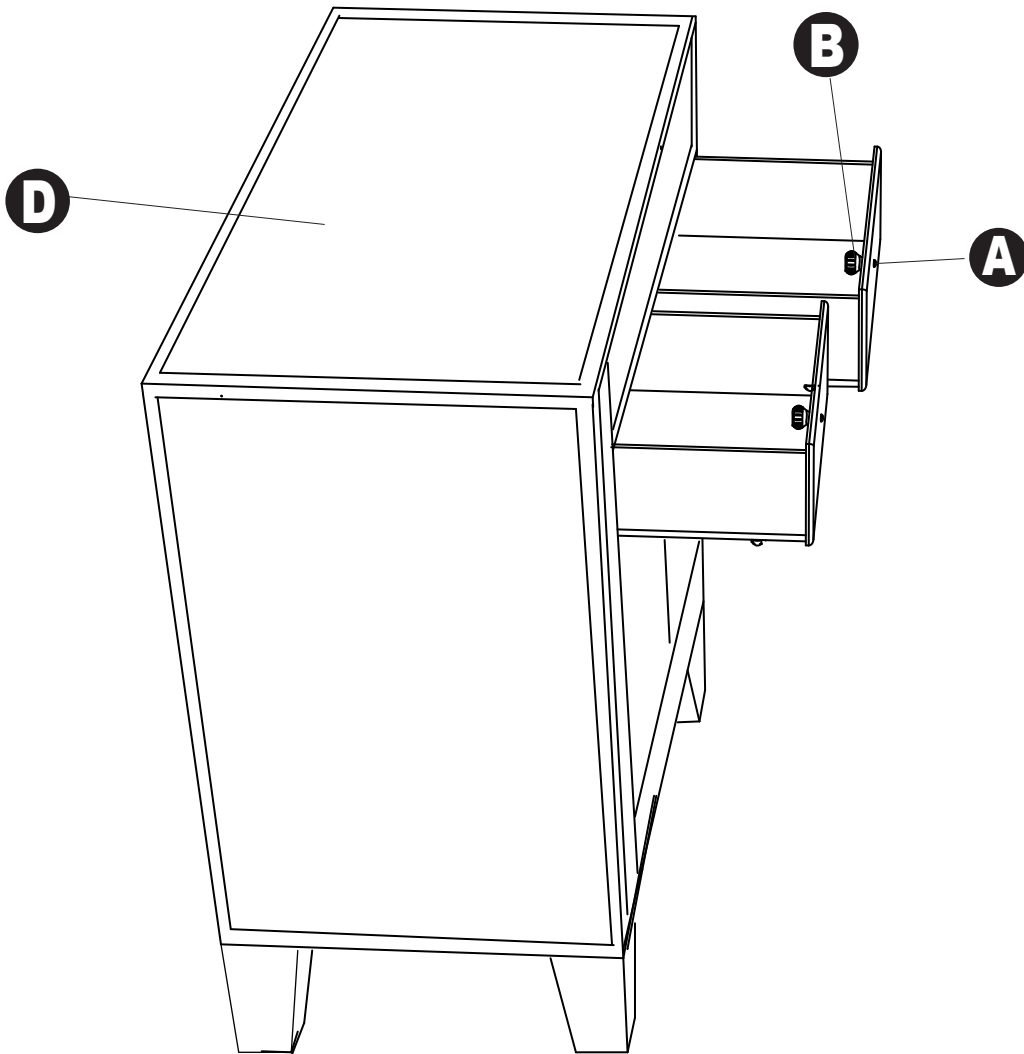
Polishing cloth (1pc)

D



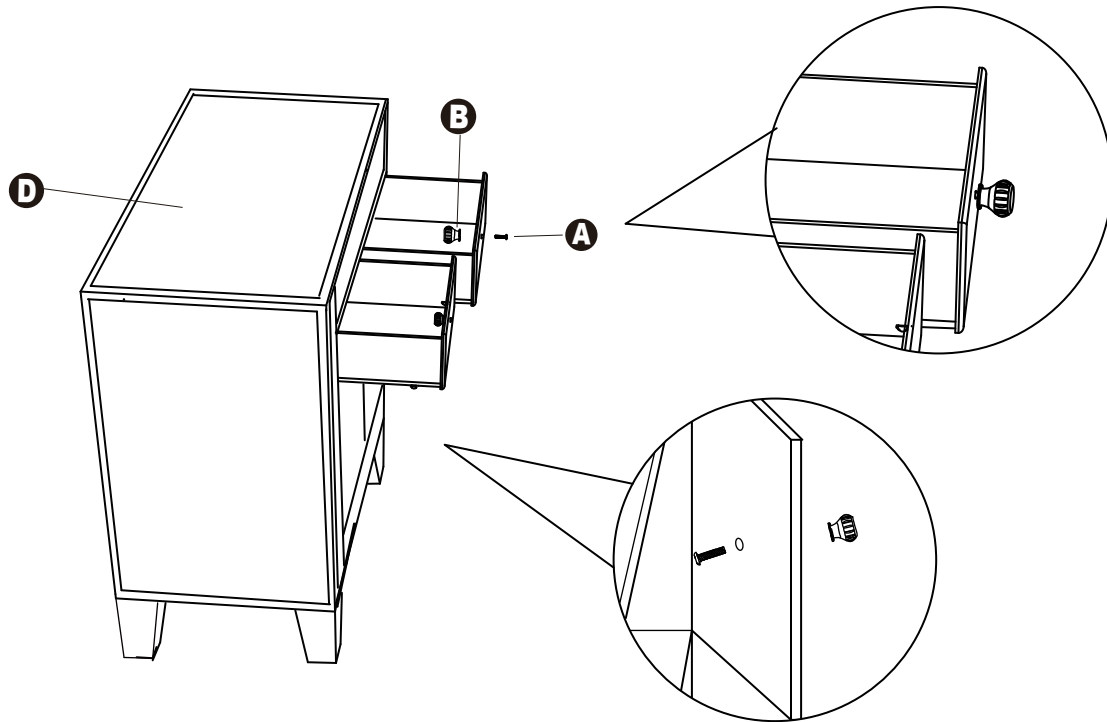
Mirrored end table (1pc)

Step 1



Step 2

*Change the knob from inside to outside.



Step 3

*Finish and enjoy.

