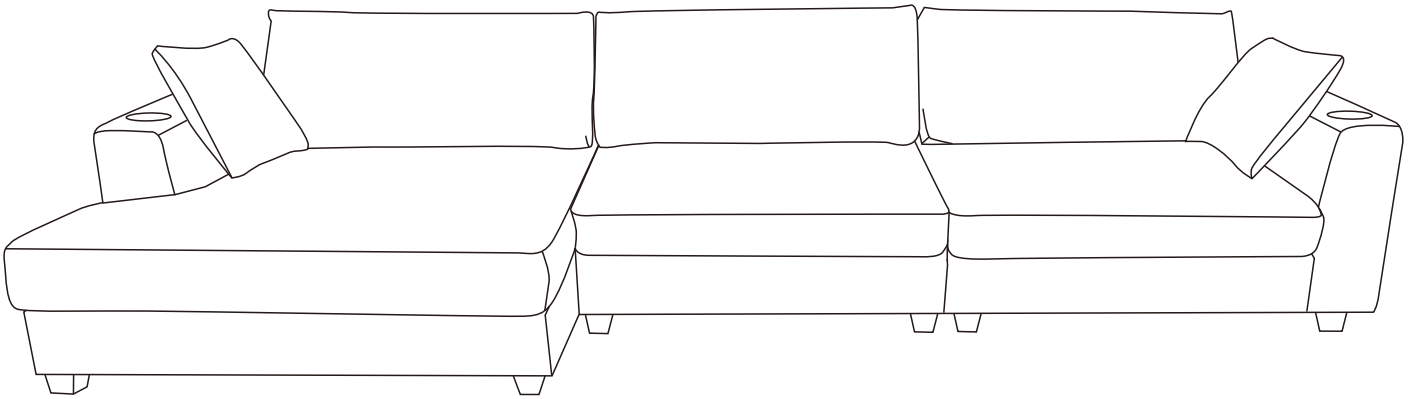
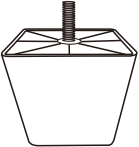
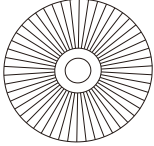
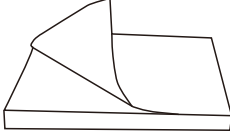
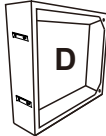

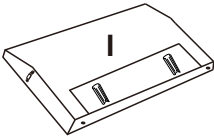



ASSEMBLY INSTRUCTION



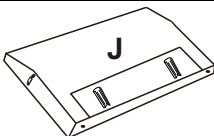
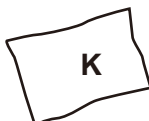


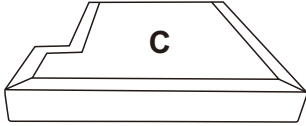

HARDWARE			
NO	DESCRIPTION	SKETCH	QTY
1	Plastic Legs		15
2	Gasket		15
3	Feet Decals		15


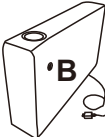

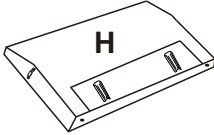
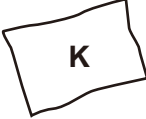
PARTS LIST

NO	DESCRIPTION	SKETCH	QTY
D	Seat Frame (middle)		1
F	Cushion		1
I	Backrest (middle)		1
K	Back Cushion		1

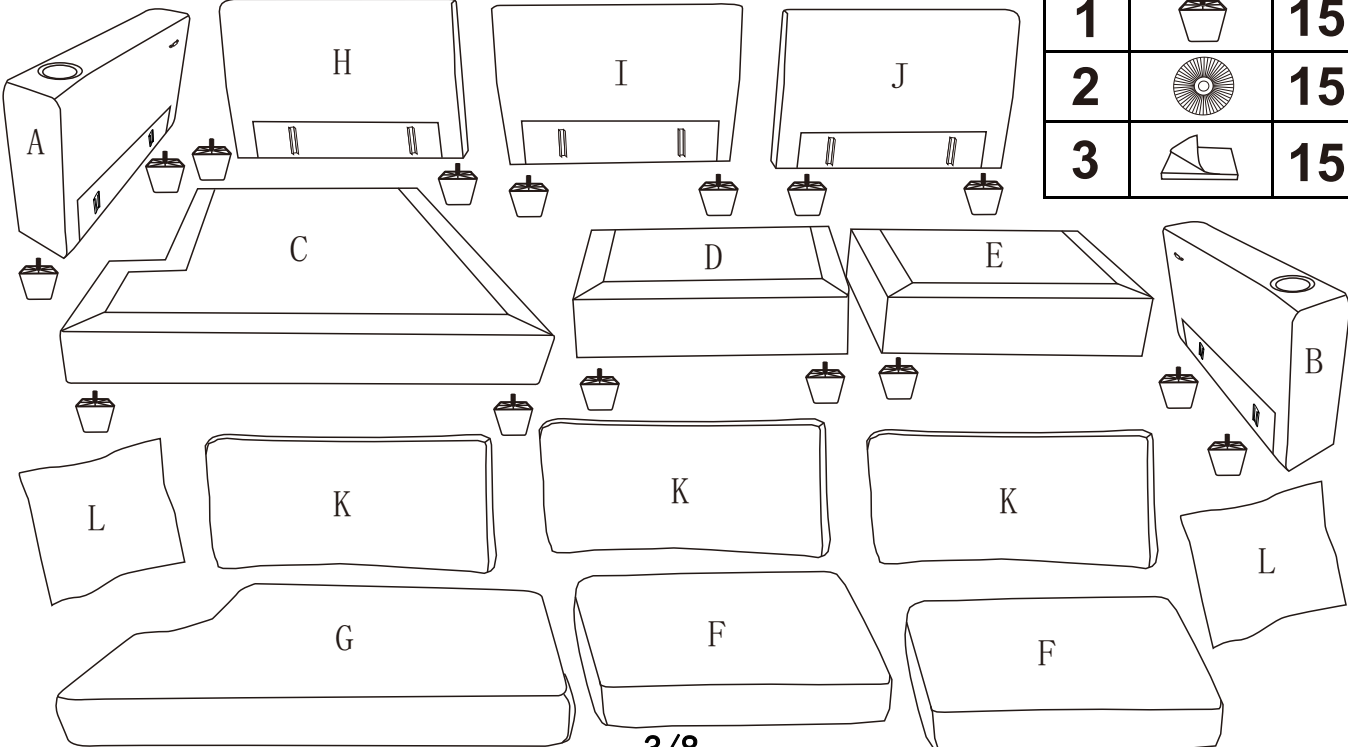



PARTS LIST

NO	DESCRIPTION	SKETCH	QTY
E	Seat Frame (right)		1
F	Cushion		1
J	Backrest (right)		1
K	Back Cushion		1

PARTS LIST			
NO	DESCRIPTION	SKETCH	QTY
C	Chaise Longue Frame		1
G	Chaise Longue Cushion		1

PARTS LIST			
NO	DESCRIPTION	SKETCH	QTY
A	Armrest (left)		1
B	Armrest (right)		1
L	Pillow		2
H	Backrest (left)		1
K	Back Cushion		1

All parts and hardwares

	1		15
	2		15
	3		15

3/8

DIAGRAM 1

Take the chaise longue cushion (Part G) out of the Chaise longue frame (Part C);
 Take the cushions (Part F) out of the seat frames (Part D & Part E);
 Take the back cushions (Part K) out of the backrests (Part H, Part I, & Part J);
 Take the pillows (Part L) out of the armrests (Part A & Part B).

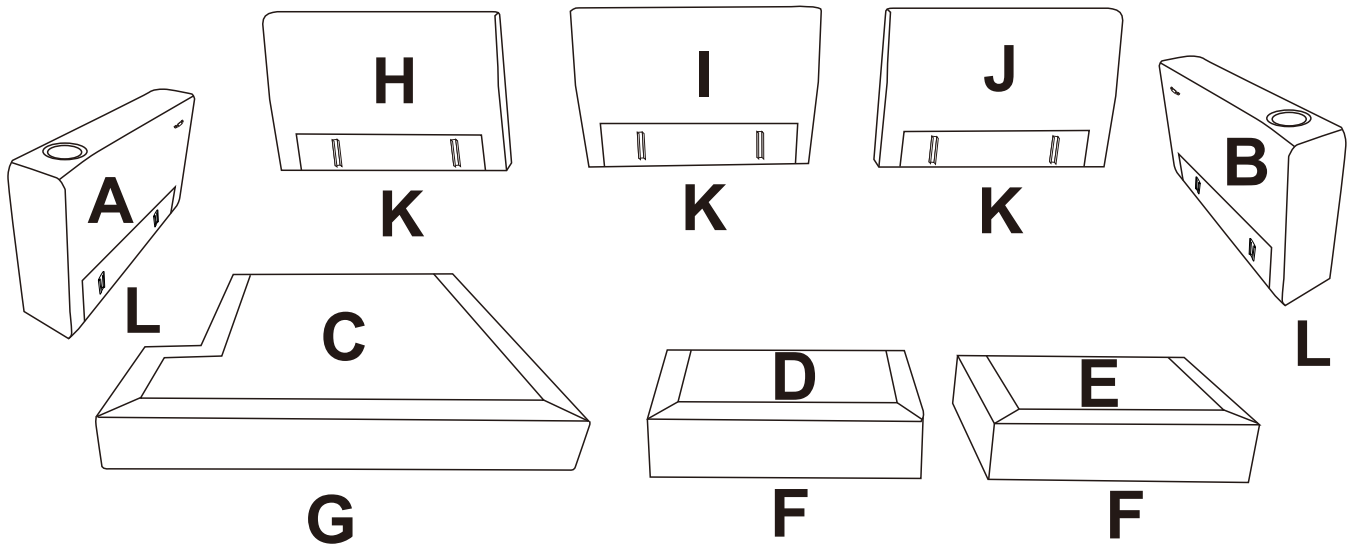


DIAGRAM 2

Tighten 4 plastic legs (Part 1) with gaskets (Part 2), and stick the feet decals (Part 3) onto each leg.

Connect the seat frame (middle) (Part D) and backrest (middle) (Part I).

1		4
2		4
3		4

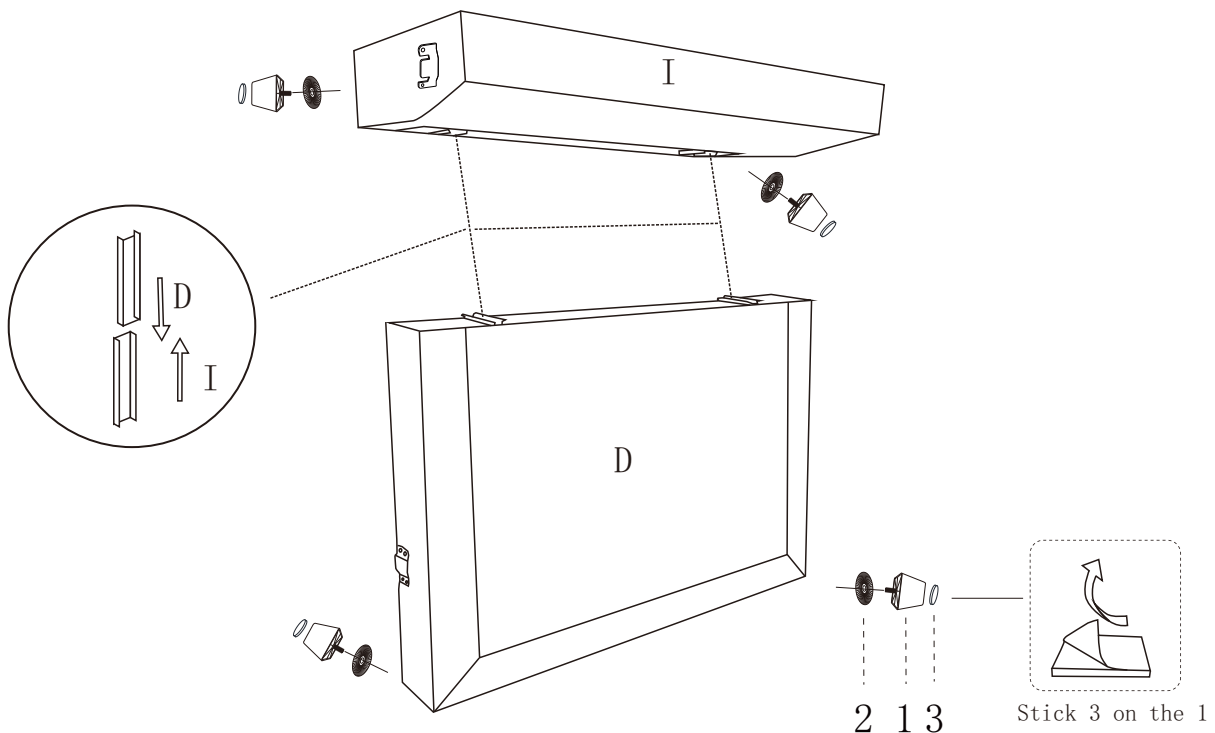


DIAGRAM 3

Connect the seat frame (right) (Part E) and armrest (right) (Part B);
Tighten plastic 3 legs (Part 1) with gaskets (Part 2), and stick the feet
decals (Part 3) onto each leg.

Connect the backrest (right)(Part J) and the seat frame (right) (Part E)
and the armrest (right) (Part B);
Tighten plastic 2 legs (Part 1) with gaskets (Part 2), and stick the feet
decals (Part 3) onto each leg.

1		5
2		5
3		5

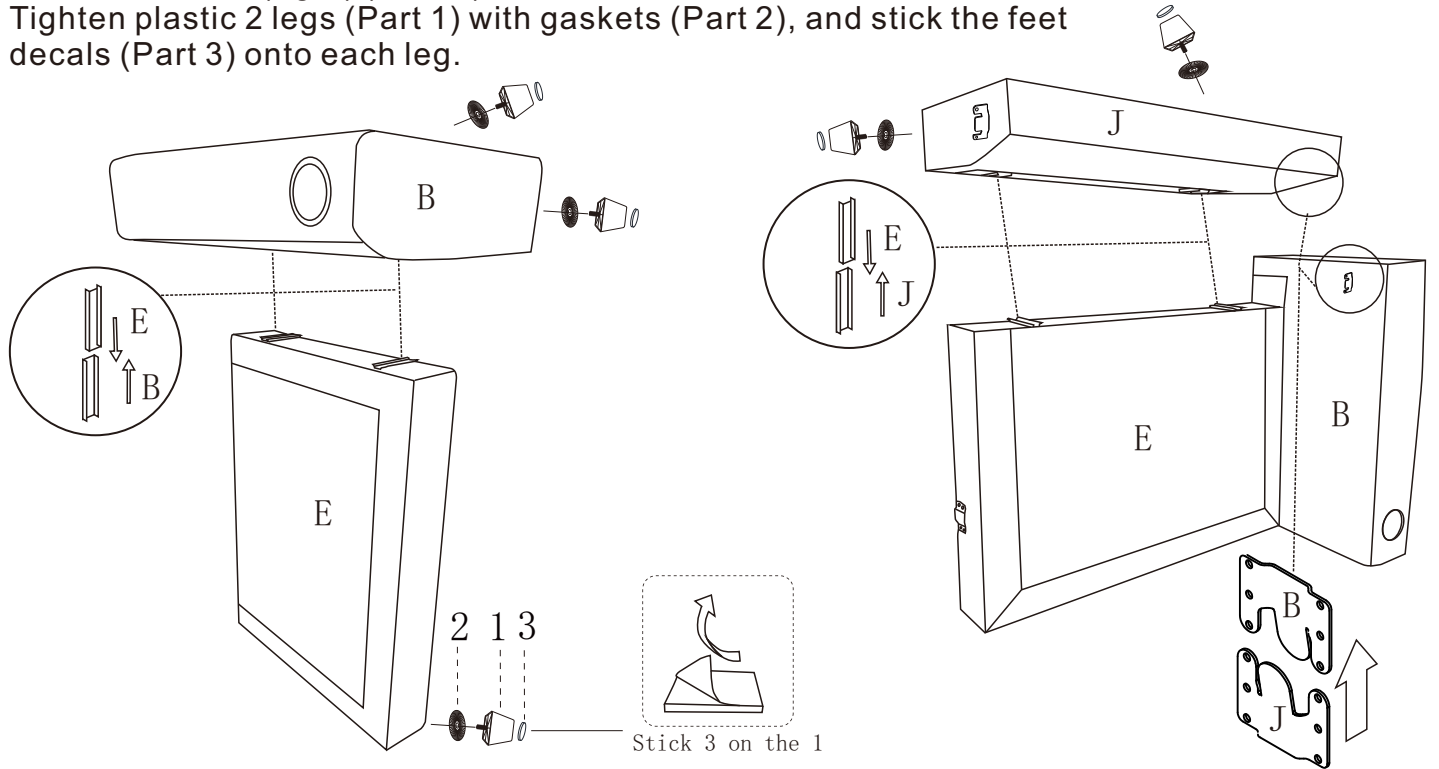


DIAGRAM 4

Tighten 4 plastic legs (Part 1) with gaskets (Part 2), and stick the feet
decals (Part 3) onto each leg.

Connect the armrest (left) (Part A) to chaise longue frame (Part C).

1		4
2		4
3		4

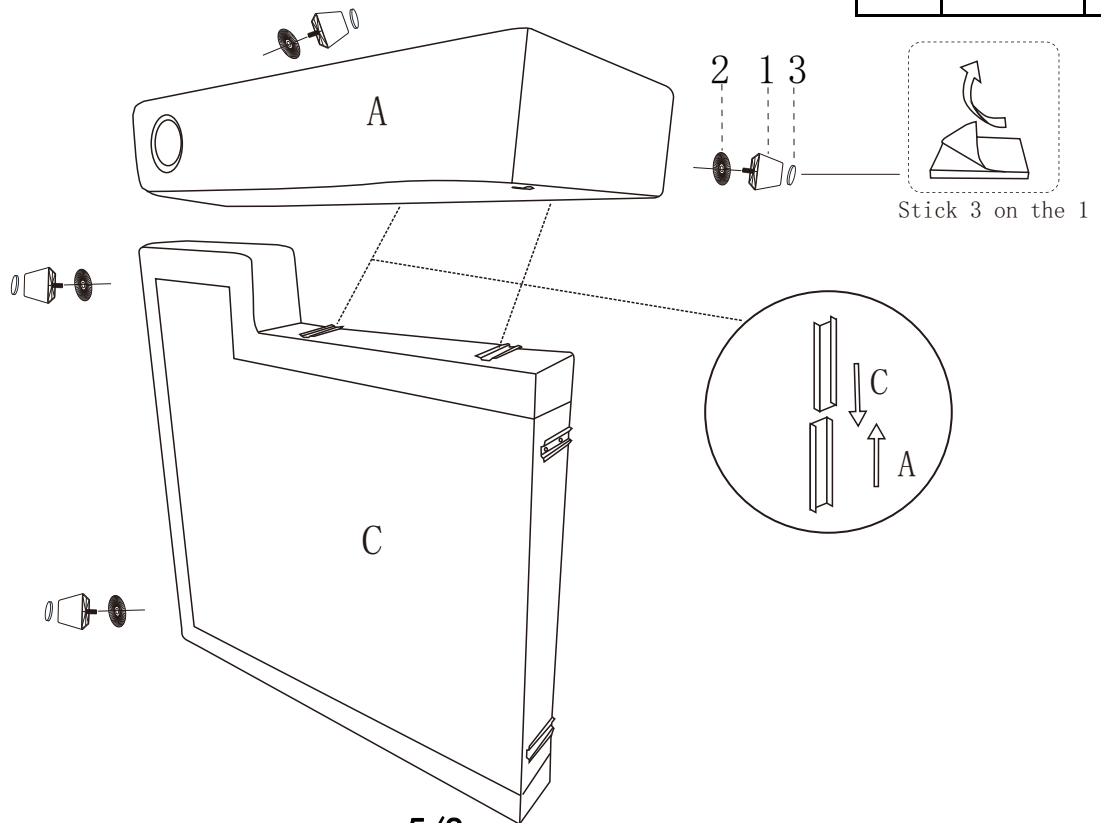





DIAGRAM 5

Tighten 2 plastic legs (Part 1) with gaskets (Part 2), and stick the feet decals (Part 3) onto each leg.

Connect the backrest (left) (Part H) and the chaise longue frame (Part C) and the armrest (left) (Part A).

1		2
2		2
3		2

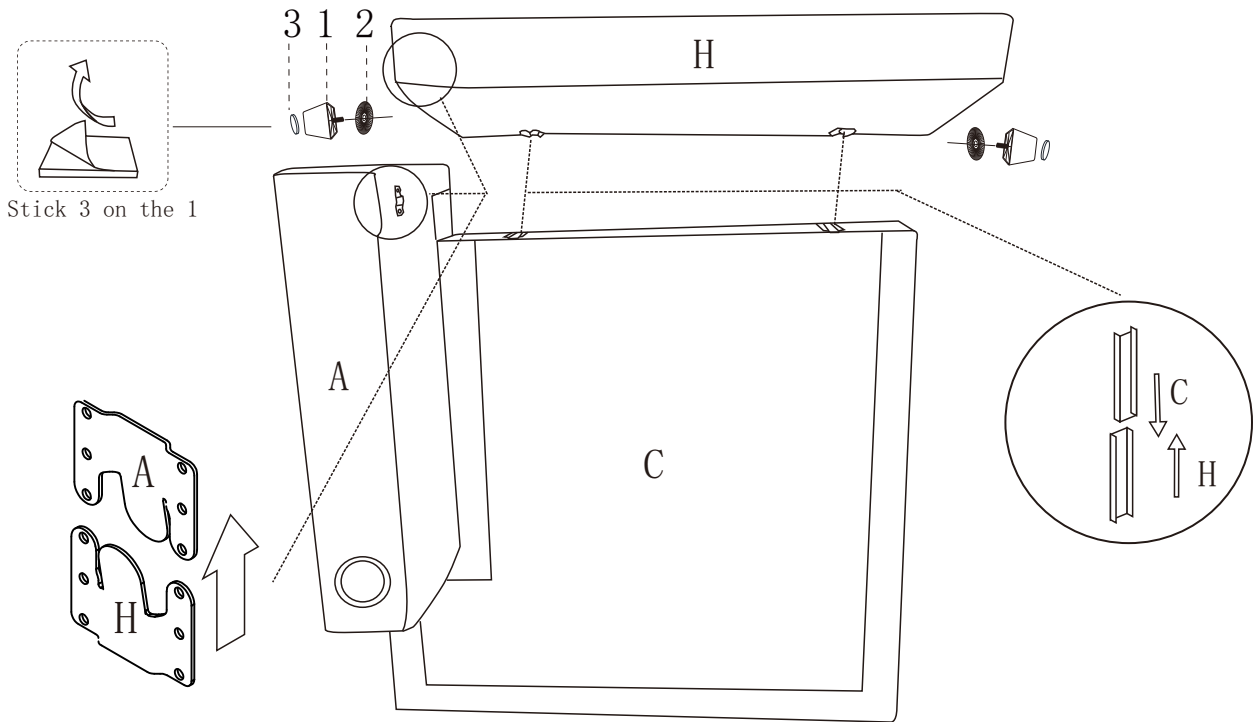


DIAGRAM 6

Connect the backrest (middle) (Part I) to backrest (left) (Part H).

Connect the seat frame (middle) (Part D) to chaise longue frame (Part C).

Connect the backrest (right) (Part J) to backrest (middle) (Part I).

Connect the seat frame (right) (Part E) to seat frame (middle) (Part D).

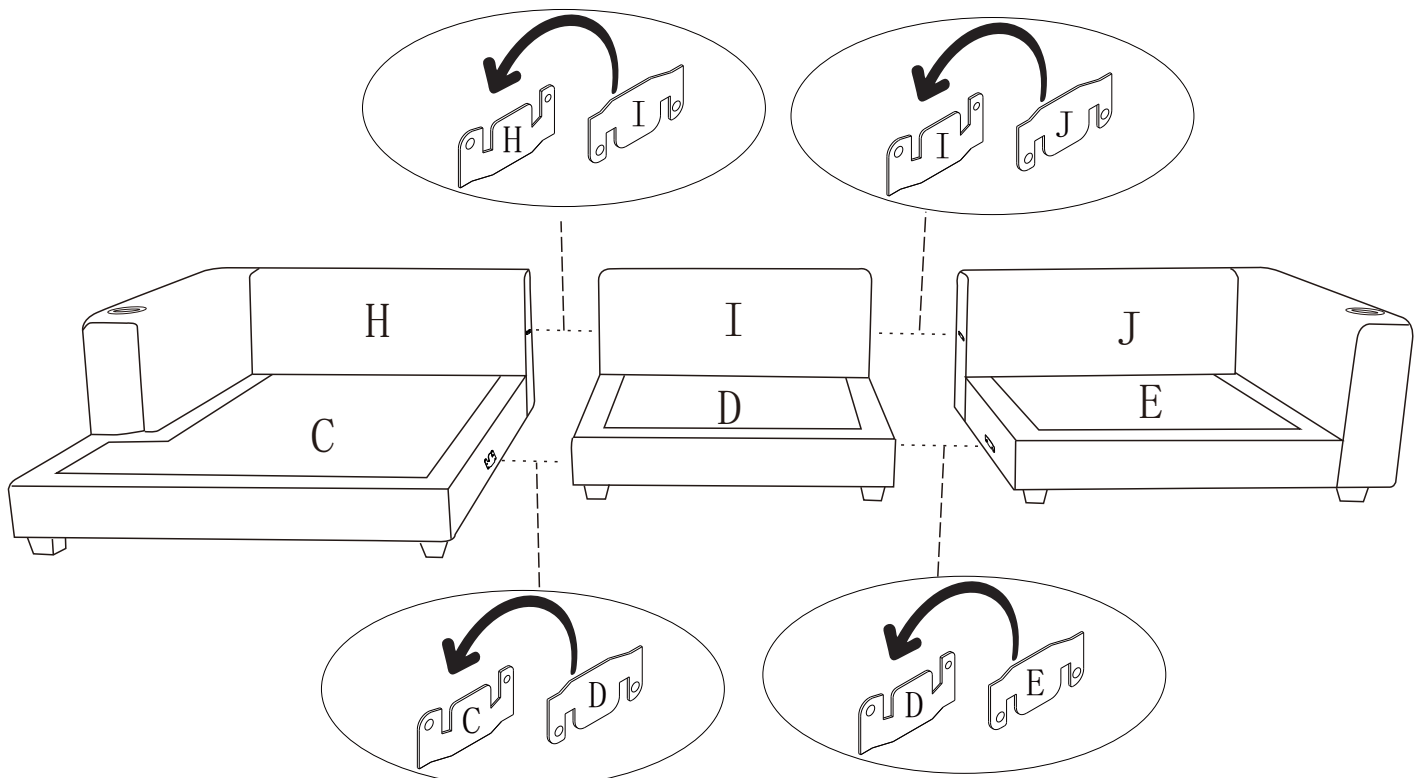
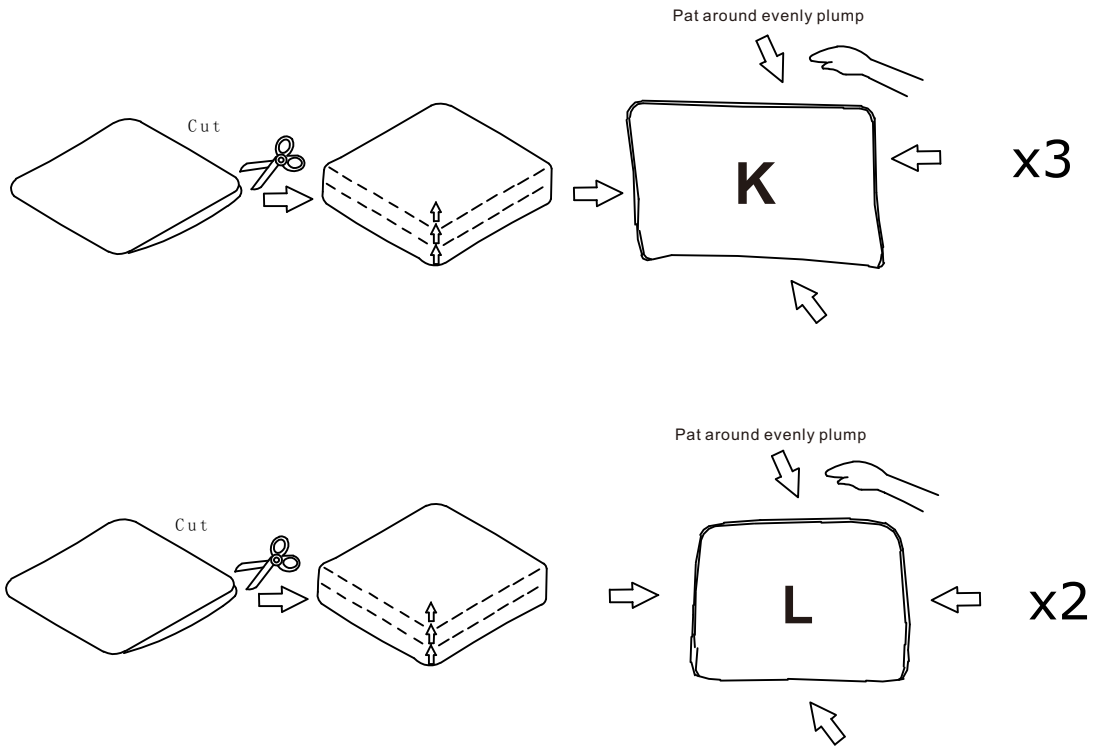


DIAGRAM 7

Remove the back cushions' plastic bags (Part K and Part L).



TIPS

1. Please do not open the compressed packages until your sofa frame is completely assembled.
2. Compressed cushions and back cushions need to be fully fulfilled within 72 hours for your perfect use.
3. Please keep children away from plastic bags or any small pieces of stuff.

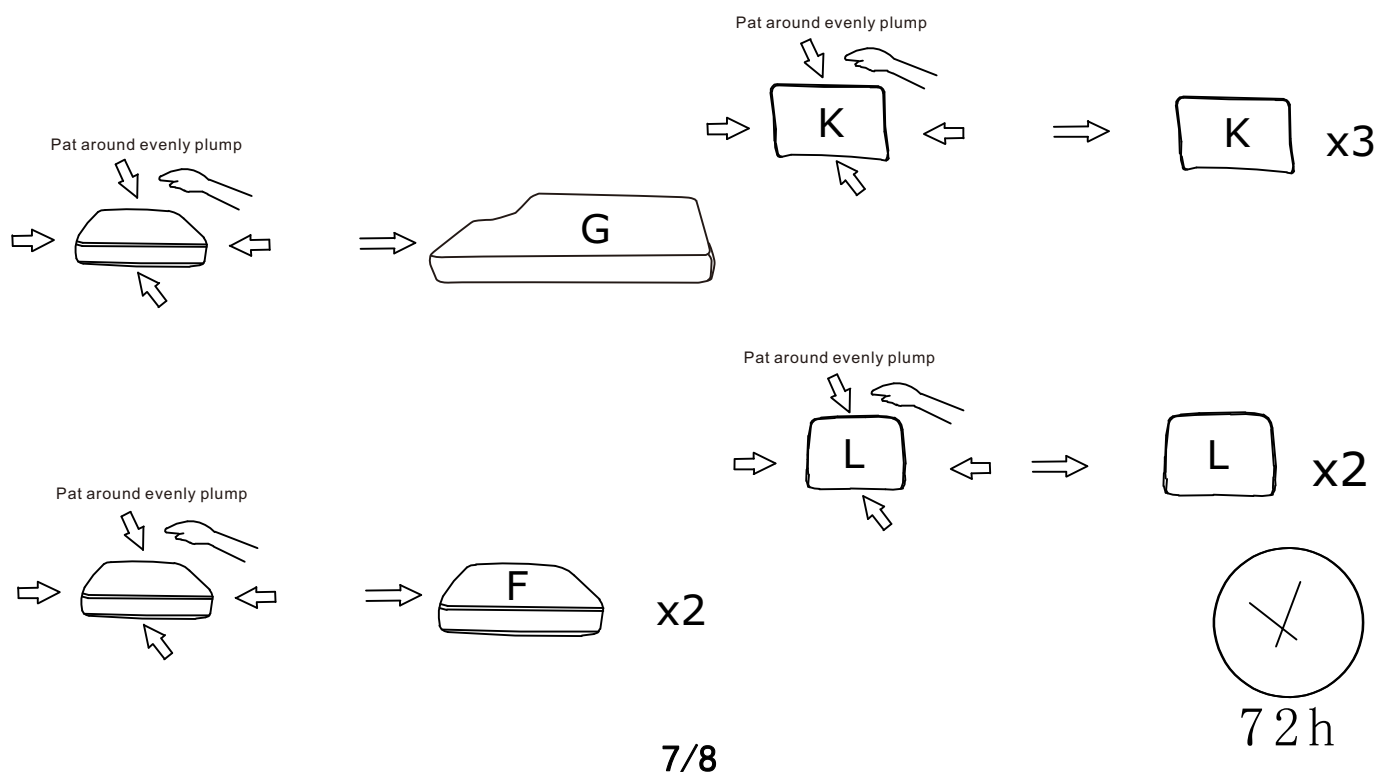
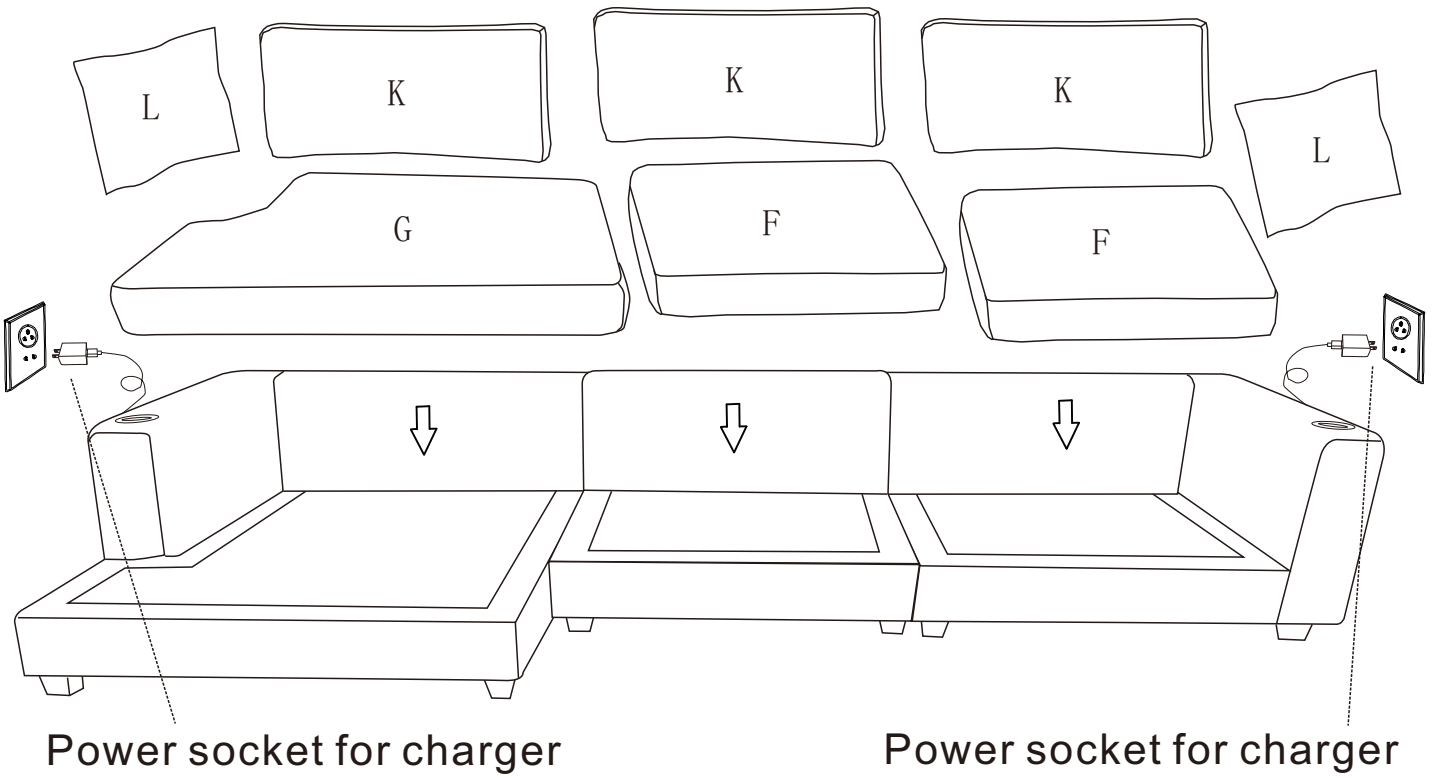


DIAGRAM 8

Put the Chaise longue cushion (Part G), cushions (Part F) on the sofa.
Put the Back cushions (Part K) and pillows (Part L) on the sofa.
Plug in the charger.



COMPLETE

