

83" x 30" Table Top

DESK-TOP84-30B Series

Assembly Manual

Individual Product SKUs

DESK-TOP84-30B

DESK-TOP84-30W

DESK-TOP84-30N



WARNING



If you do not understand these directions, or if you have any doubts about the safety of the installation, please contact our product support team at 309-278-5303 or help@vivo-us.com for further assistance. Check carefully to make sure there are no missing or defective parts. Failure to report missing parts within 30 days may result in denial of free replacement. Improper installation may cause damage or serious injury. Do not use this product for any purpose that is not explicitly specified in this manual. Do not exceed weight capacity. We cannot be liable for damage or injury caused by improper mounting, incorrect assembly or inappropriate use.



WARNING: CHOKING HAZARD

SMALL PARTS - NOT FOR CHILDREN UNDER 3 YEARS. ADULT SUPERVISION IS REQUIRED.



DO NOT EXCEED WEIGHT CAPACITY

FAILURE TO DO SO MAY RESULT IN SERIOUS INJURY.

Need Help? We're Here For You

US-Based Customer Support from Trained Professionals

Monday-Friday from 7am-7pm CST

Saturday 8am-4pm CST



Email Us

help@vivo-us.com



Chat with Live Agent

www.vivo-us.com



Give Us a Call

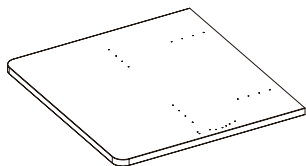
309-278-5303 ext. 1



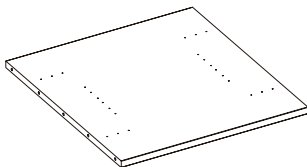
Assembly Video & Product Info

www.vivo-us.com/products/desk-top84-30b

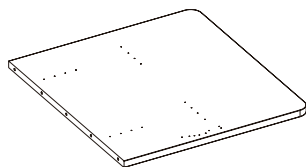
Package Contents



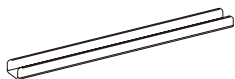
A (x1)
Right Panel



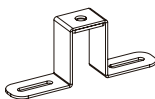
B (x1)
Middle Panel



C (x1)
Left Panel



D (x4)
Connecting
Bracket

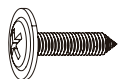


E (x2)
Support Bracket



F (x10)
Wooden Dowel

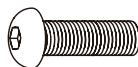
Included Hardware & Tools



S-A (x32)
ST4.2x20mm Screw



S-B (x2)
M8x20mm Screw



S-C (x2)
M8x35mm Screw



T-A (x1)
5mm Allen Wrench

Tools Needed:

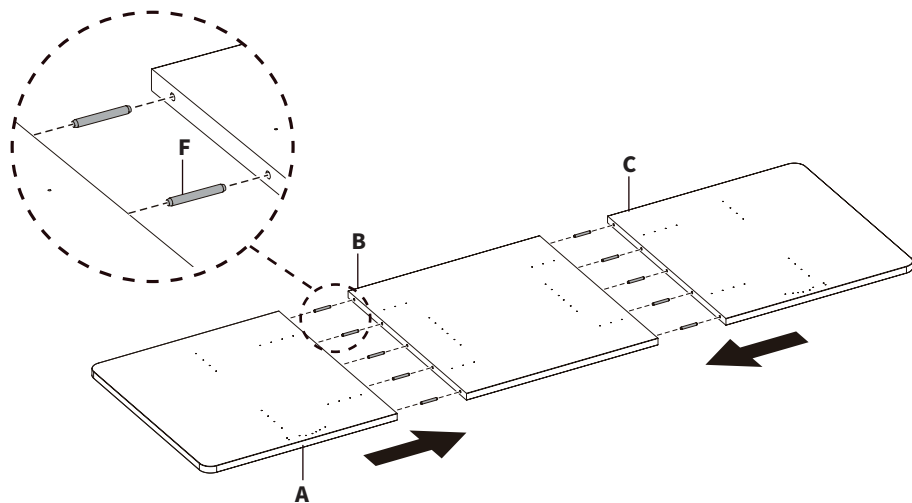


**Phillips
Screwdriver**

ASSEMBLY STEPS

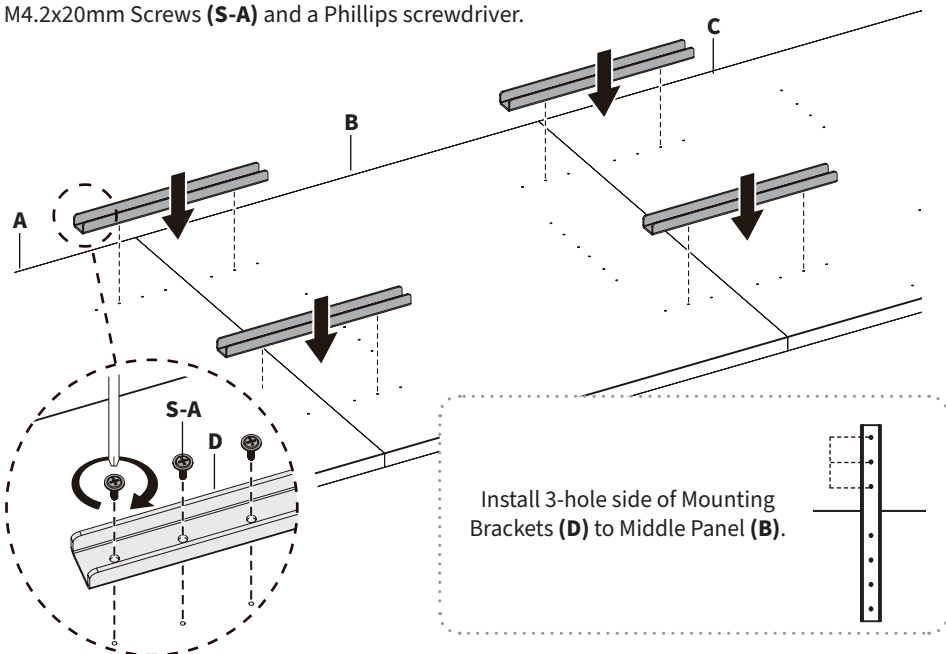
STEP 1

Place desktop pieces upside down on a soft surface. Insert Wooden Dowels (**F**) into the holes on the sides of Middle Panel (**B**). Once inserted, slide the Left and Right Panels (**A,C**) over the Wooden Dowels.



STEP 2

Align Connecting Brackets (**D**) with holes on Panels (**A,B,C**), then secure using M4.2x20mm Screws (**S-A**) and a Phillips screwdriver.



STEP 3

Set your desk frame (not included) upside down and place it onto the desktop assembly. Adjust the frame width to match the holes on the desktop. Once aligned, secure the frame using the included hardware in your frame kit.

Pre-Drilled Holes



VIVO Frames

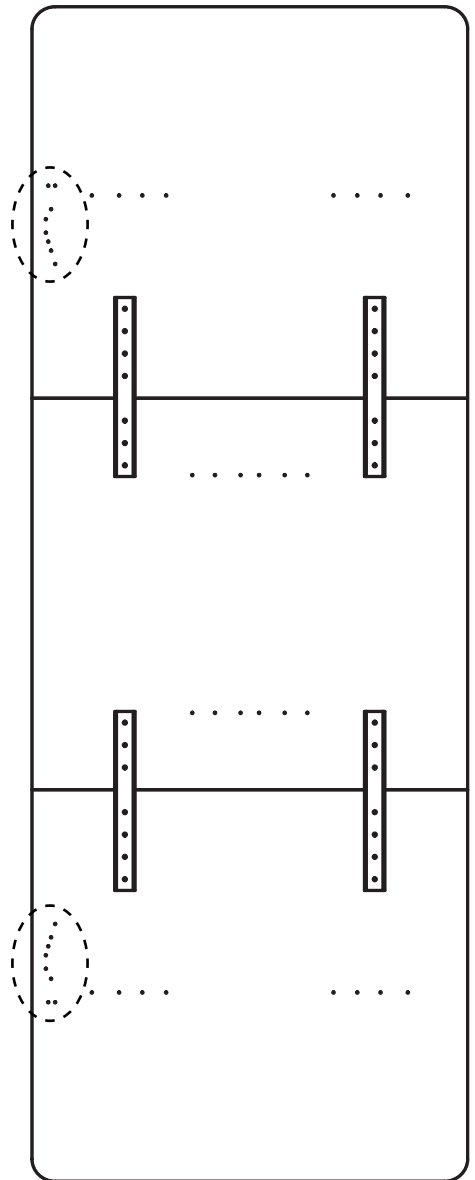
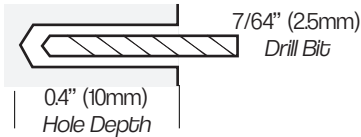
Most control panels will fit pre-drilled holes.



= Pre-Drilled Holes

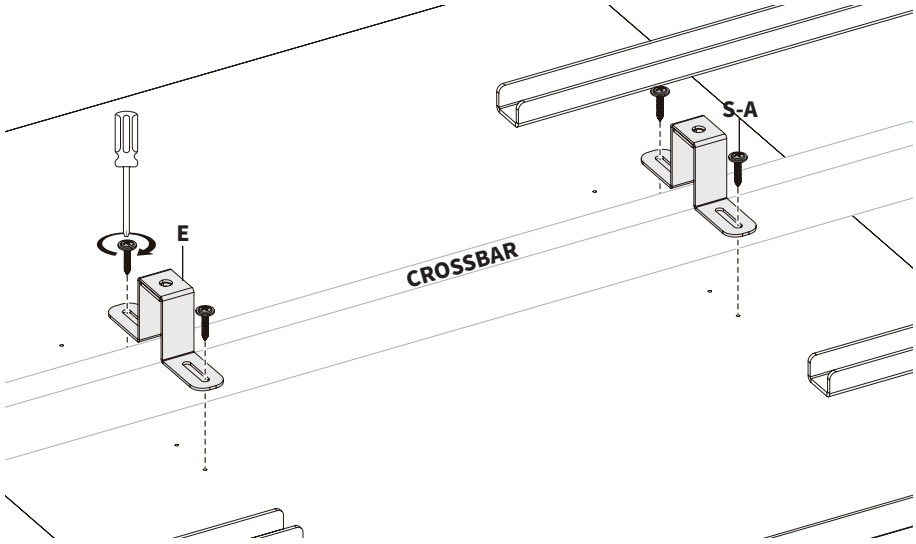
Off-Brand Frame

Drill mounting holes using illustration below.



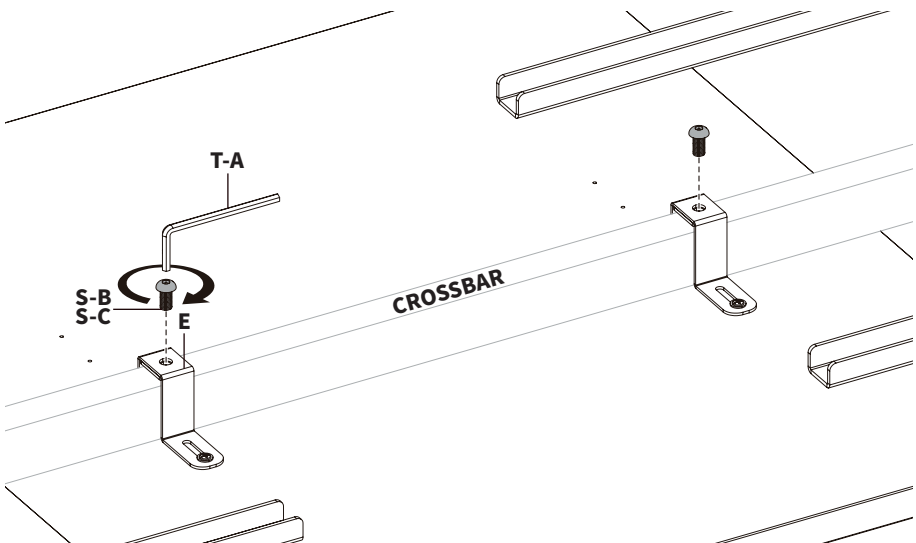
STEP 4

Place Support Brackets (**E**) over the **crossbar** on your desk frame (not included). Align with pilot holes on desktop and secure them with ST4.2x20mm Screws (**S-A**) and a Phillips screwdriver.



STEP 5

Secure the Support Brackets (**E**) to the **crossbar** using M8x20mm Screws (**S-B**) and 5mm Allen Wrench (**T-A**). If needed, M8x35mm Screws (**S-C**) can be used instead.



[THIS PAGE INTENTIONALLY LEFT BLANK]

LAST UPDATED: 04/03/25

REV2

DESK-TOP84-30B/W: v1.1

DESK-TOP84-30N: v1.0



Need Help? Get In Touch

Monday-Friday from 7:00am-7:00pm CST



help@vivo-us.com



www.vivo-us.com

Chat live with an agent!



309-278-5303



VIVO-us @vivo_us

FOR MORE GREAT VIVO PRODUCTS,
CHECK OUT OUR WEBSITE AT: WWW.VIVO-US.COM