



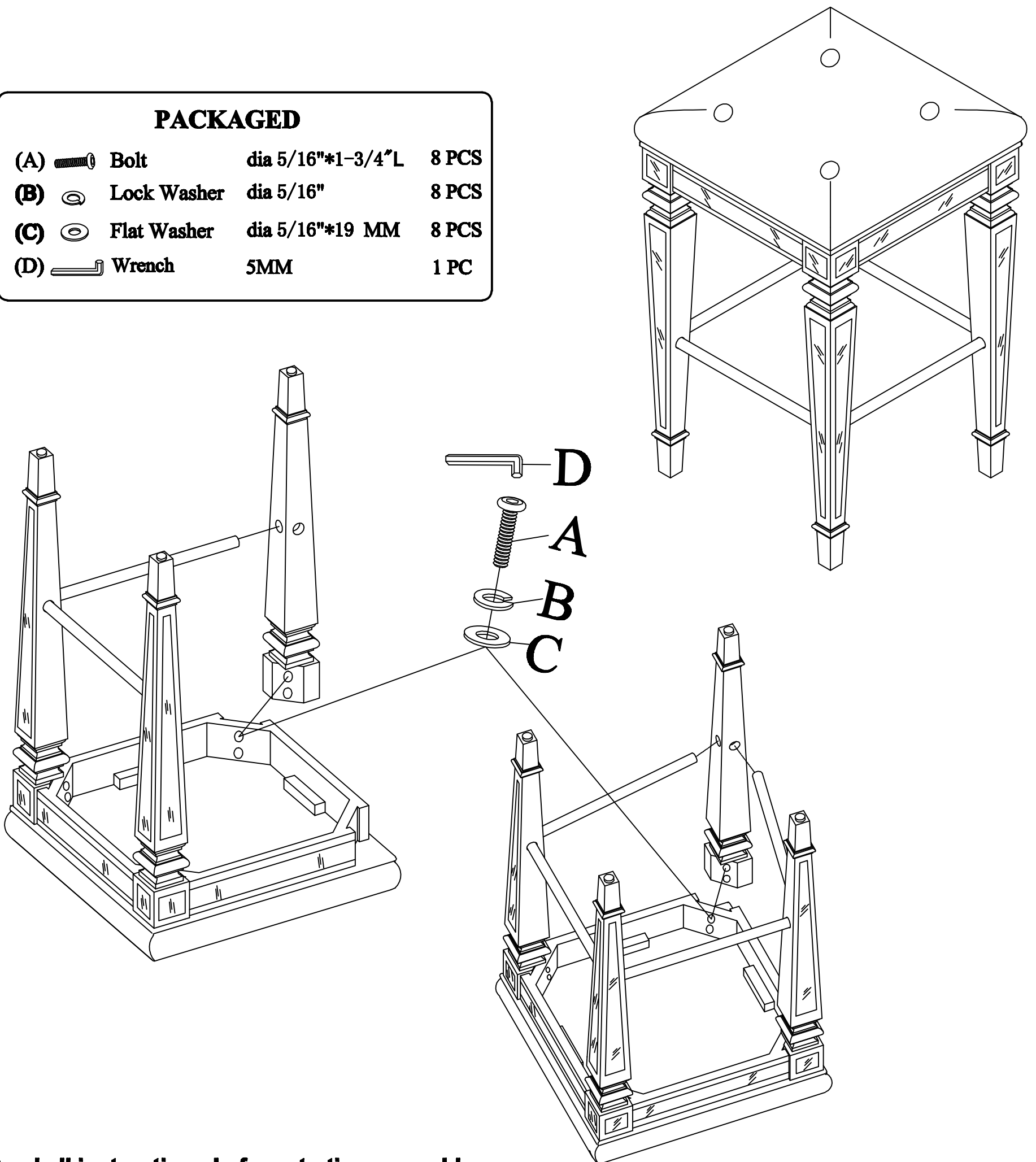


Assembly Instructions

PACKAGED

(A)		Bolt	dia 5/16"*1-3/4"L	8 PCS
(B)		Lock Washer	dia 5/16"	8 PCS
(C)		Flat Washer	dia 5/16"*19 MM	8 PCS
(D)		Wrench	5MM	1 PC



Read all instructions before starting assembly

Step #1 Check all the components listed in "packaged" are included. Carefully lay the Top upside down on a flat and protected work surface being careful not to scratch the finish.

Step #2 Please assemble the connecting rod and the leg together. See Diagram

Step #3 Please assemble the leg and the top frame together by using bolt (A), lock washer (B), flat washer (C) & tighten the post. See Diagram

(*Caution:DO NOT OVERTIGHTEN

In any correspondence regarding this product, please include the complete identification number located on the underside of the product.

We hope this Bar Stool will be a useful and decorative addition to your home for years to come.