

ASSEMBLY INSTRUCTION FOR ACME FURNITURE

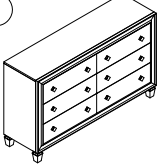
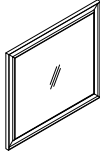

ITEM#: BD00662/BD00663

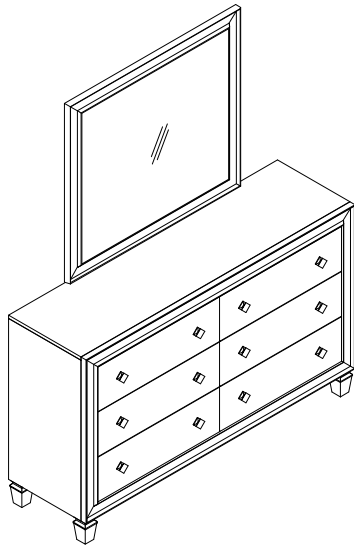
DESCRIPTION: MIRROR/DRESSER

Thank you for purchasing this quality product. Be sure to check all packing materials carefully for small parts, which may have come loose inside the carton during shipment. Identify and count all parts and compare with the parts list below.



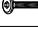

**** Do not fully tighten screws until fully assembled ****

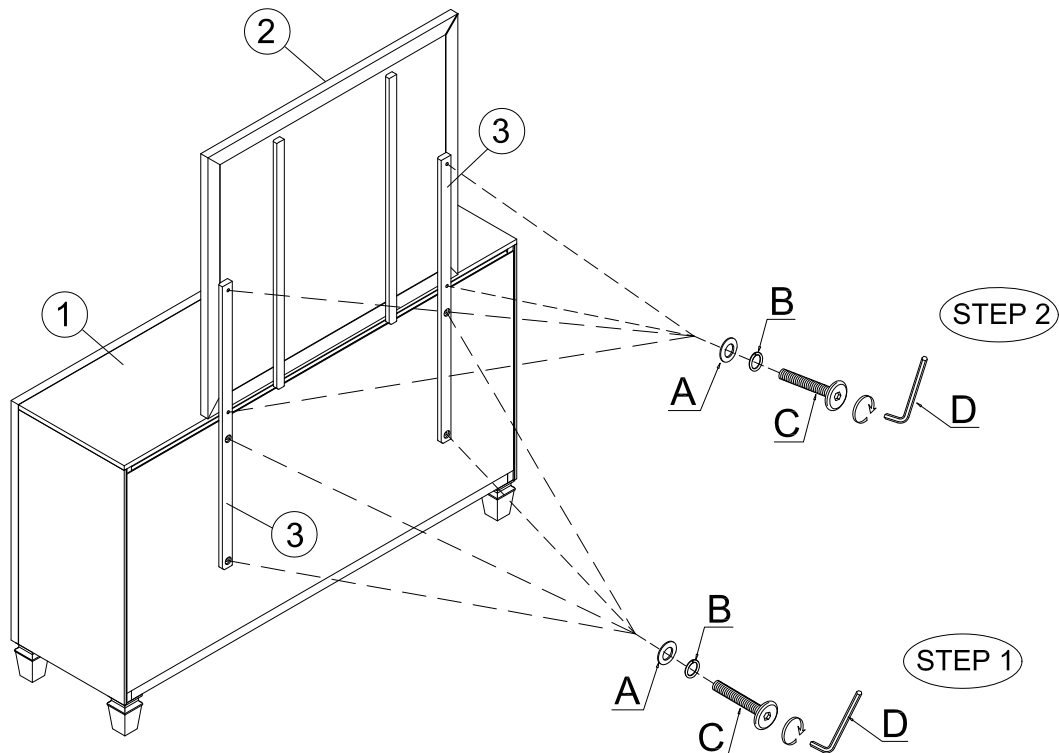
PARTS LIST:

①		②		③	
DRESSER :1PC		MIRROR: 1PC		MIRROR SUPPORT:2PCS	



HARDWARE LIST

NO.	Drawing	Description	Q'ty
A		Flat washer (Ø1/4"x19mm)	8pcs
B		Spring washer (Ø1/4")	8pcs
C		Bolt (Φ1/4"x1-1/2")	8pcs
D		Allen wrench (4mm)	1pc



CLEANING INSTRUCTION

Clean the surface of the Mirror/Dresser with furniture polish and a soft cloth.

Attention

*** Some number parts listed on the instruction sheet may not be in parts bag as they may be assembled. Carefully check parts and packing materials prior to ordering replacements.***