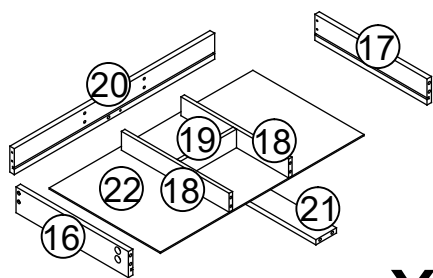
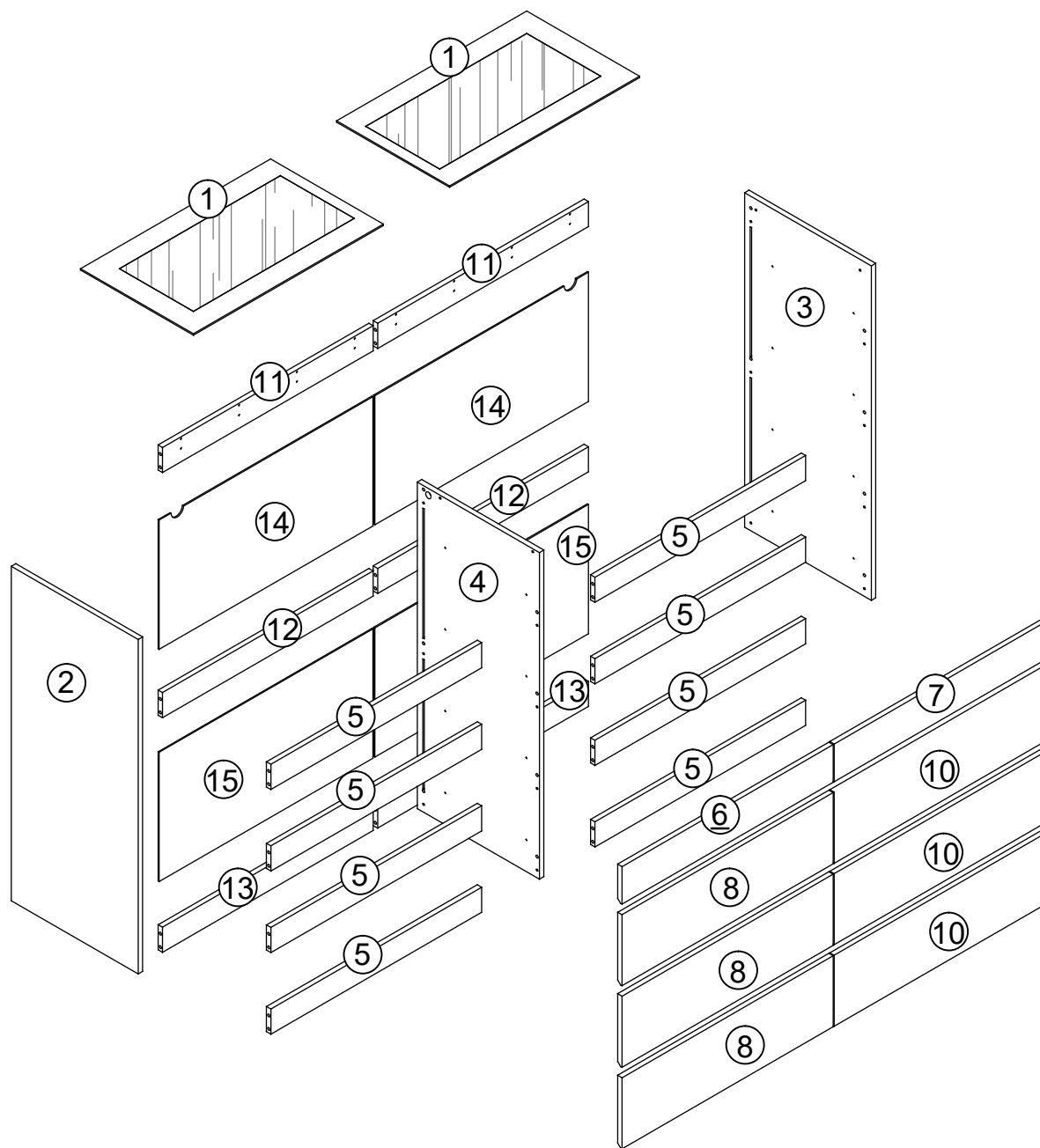
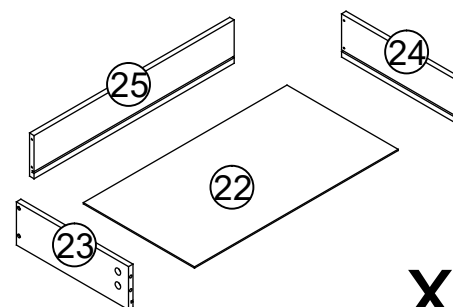


# Installation instruction

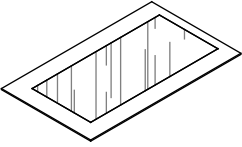
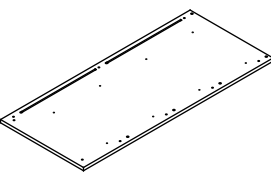
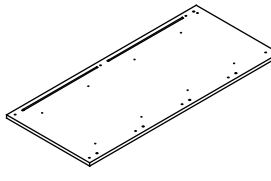
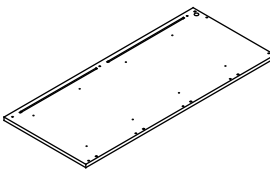
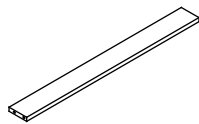
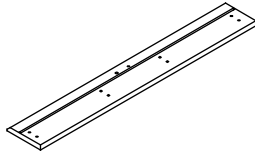
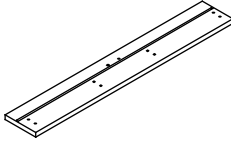
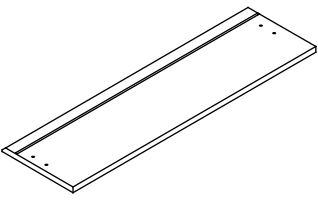
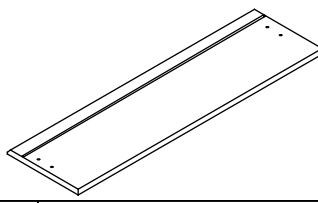
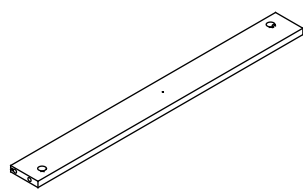
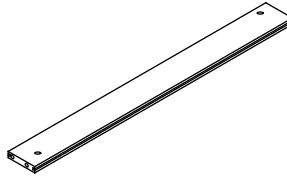
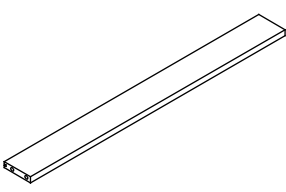
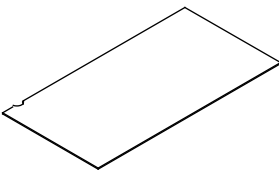
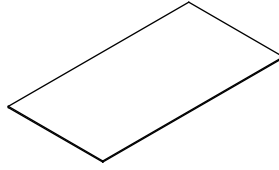
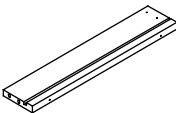
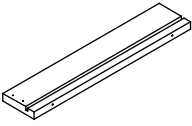
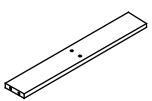
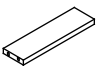
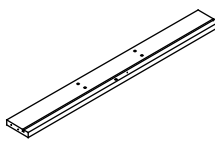
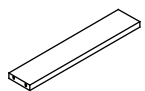
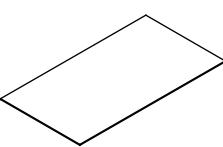
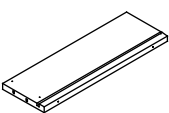
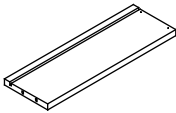
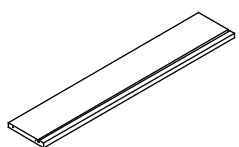


**x2**

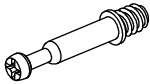
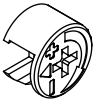
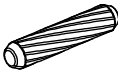
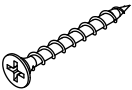
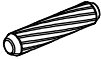
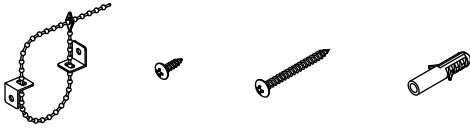

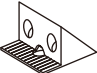
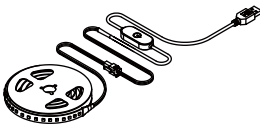
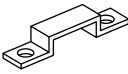
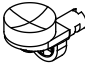

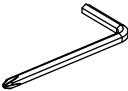

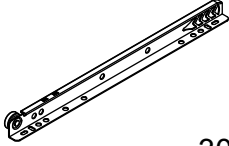
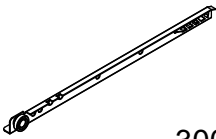
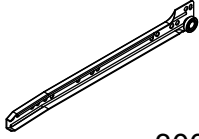
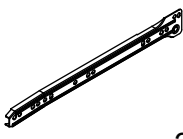


**x6**

# Parts and Operation Elements

			
① 2pcs	② 1pc	③ 1pc	④ 1pc
			
⑤ 8pcs	⑥ 1pc	⑦ 1pc	⑧ 3pcs
			
⑩ 3pcs	⑪ 2pcs	⑫ 2pcs	⑬ 2pcs
			
⑭ 2pcs	⑮ 2pcs	⑯ 2pcs	⑰ 2pcs
			
⑱ 4pcs	⑲ 2pcs	⑳ 2pcs	㉑ 2pcs
			
㉒ 8pcs	㉓ 6pcs	㉔ 6pcs	㉕ 6pcs

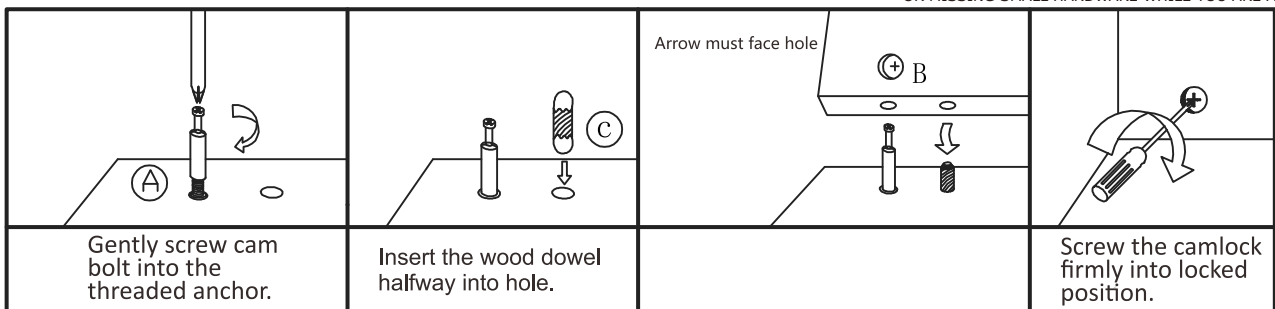
# Hardware

			
<b>Cam bolt</b>		<b>7x30mm</b>	<b>4x30mm screw</b>
<b>A</b> 62+2pcs	<b>B</b> 62+2pcs	<b>C</b> 32+2pcs	<b>D</b> 34+2pcs
			
<b>6x30mm</b>			<b>3.5x12mm screw</b>
<b>E</b> 24+2pcs	<b>F</b> 2pcs		<b>G</b> 64+2pcs
			
<b>3x14mm screw</b>			
<b>H</b> 16+2pcs	<b>I</b> 1pc	<b>J</b> 8pcs	<b>K</b> 8pcs
			
		<b>3x12mm</b>	<b>300mm</b>
<b>L</b> 62+2pcs	<b>M</b> 1pc	<b>N</b> 16+2pcs	<b>DR</b> 8pcs
			
<b>300mm</b>	<b>300mm</b>	<b>300mm</b>	
<b>DL</b> 8pcs	<b>CR</b> 8pcs	<b>CL</b> 8pcs	

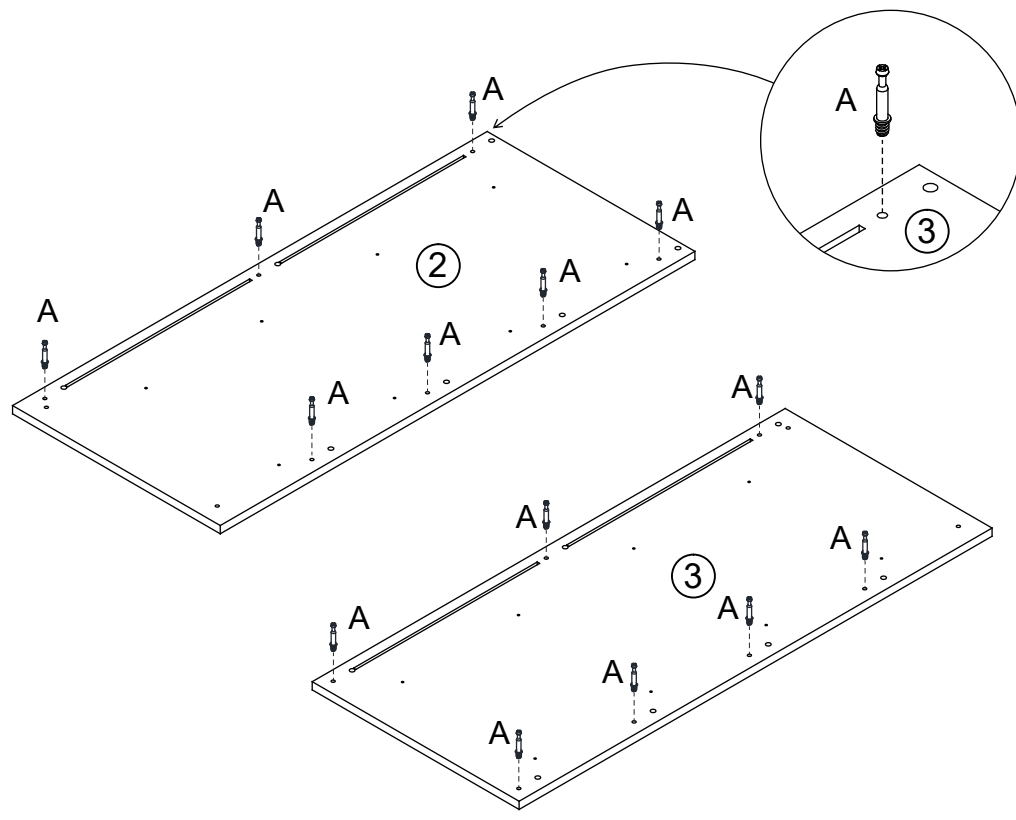



SPARE BAG

THE SPARE BAG INCLUDED EXTRA HARDWARE FOR DAMAGED OR MISSING SMALL HARDWARE WHILE YOU ARE ASSEMBLING

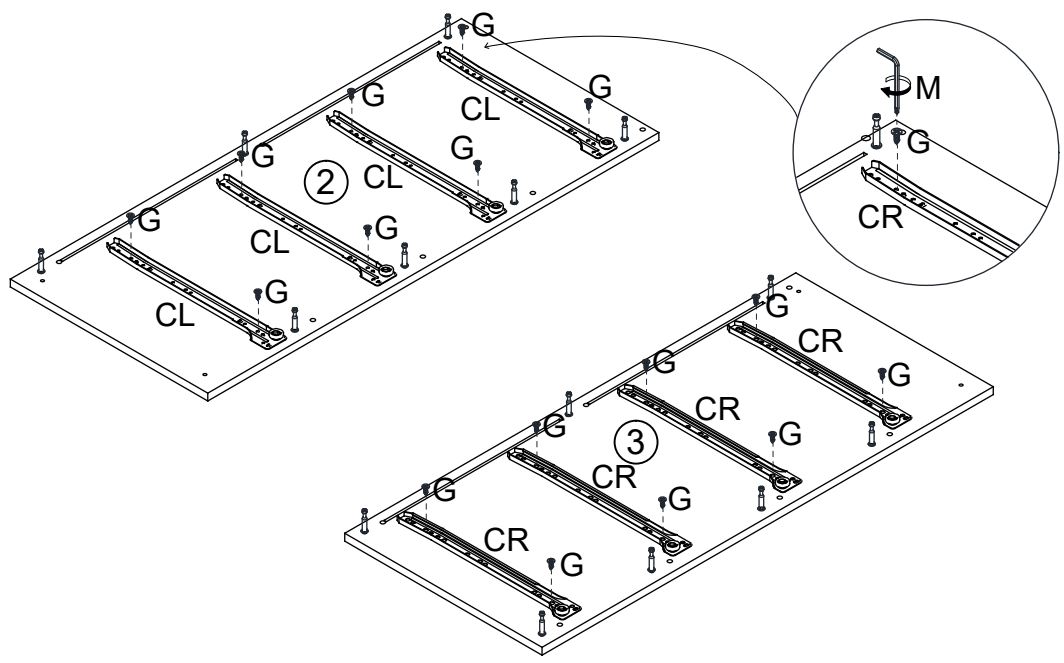



1





A  x14

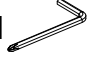
2

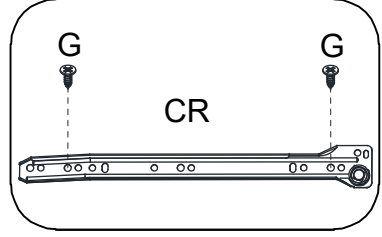
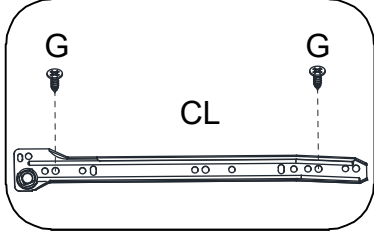


G  x16

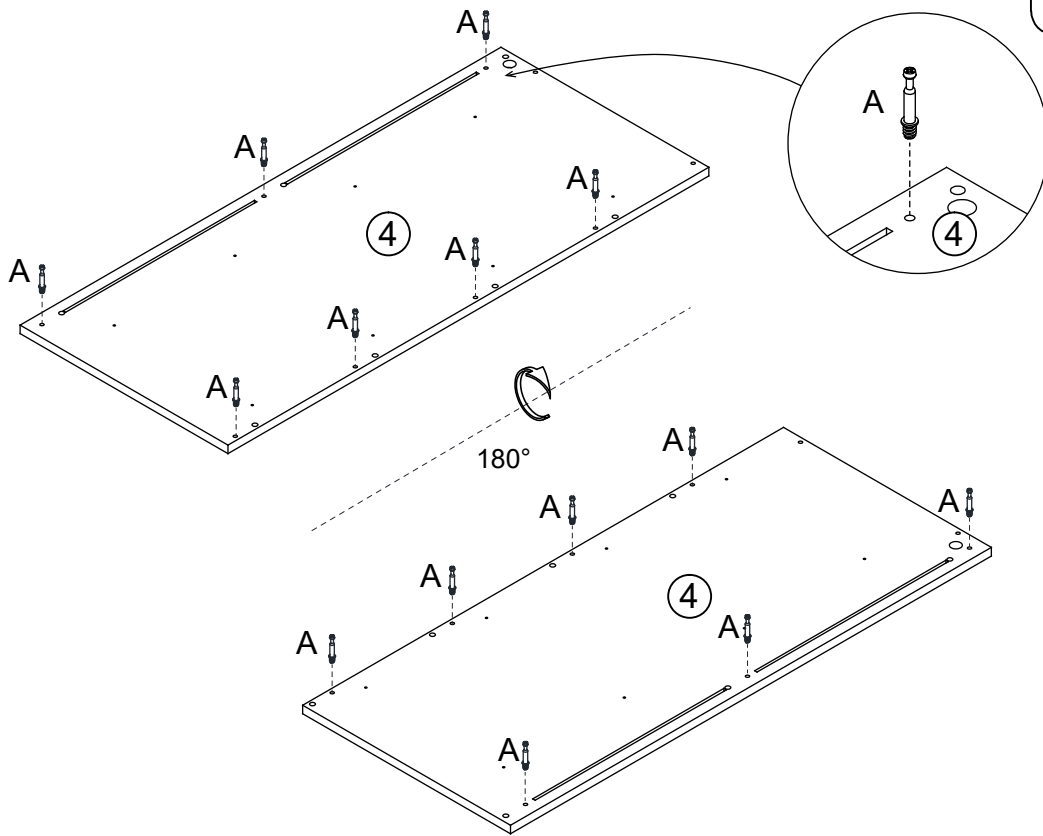
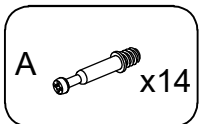
CL  x4

CR  x4

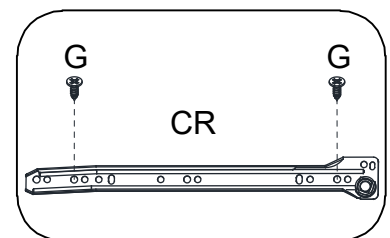
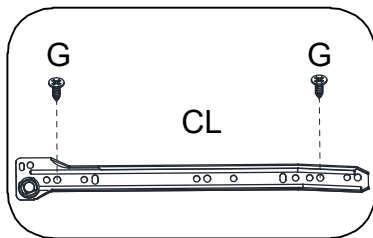
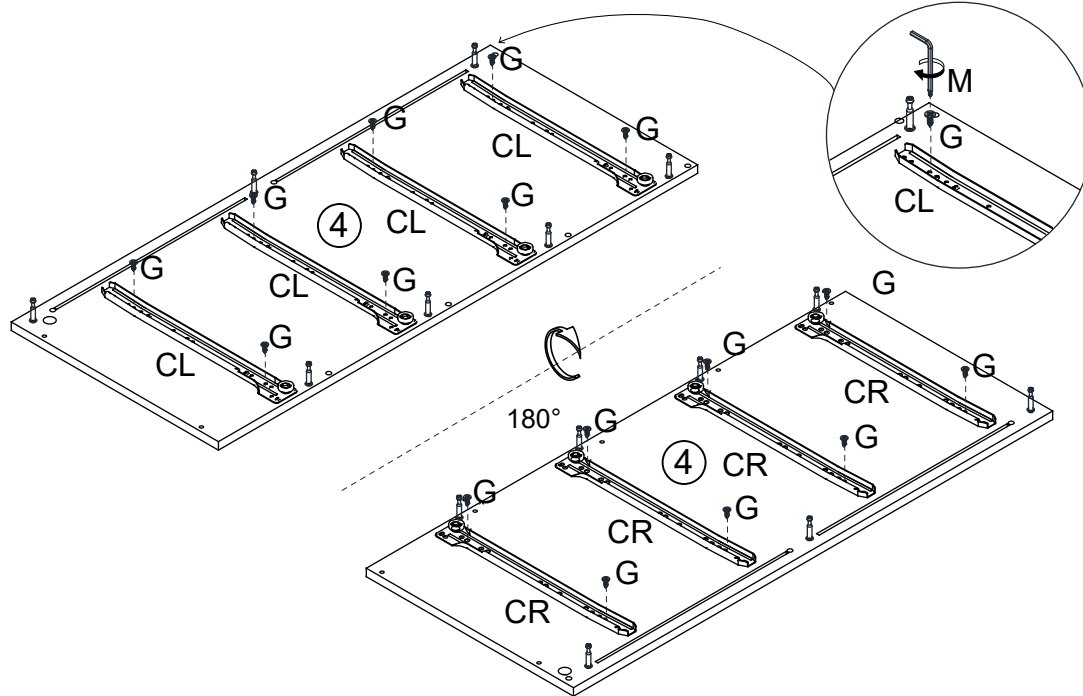
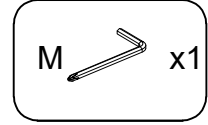
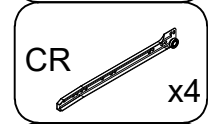
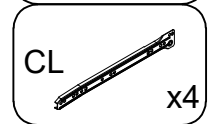
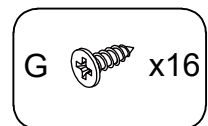
M  x1



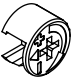


3

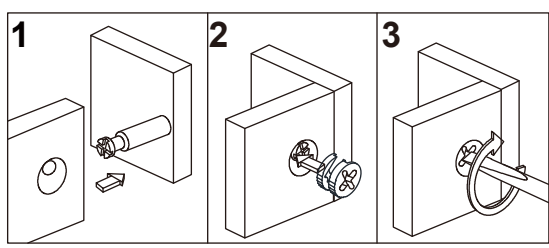
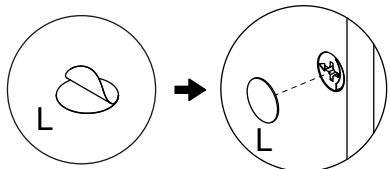
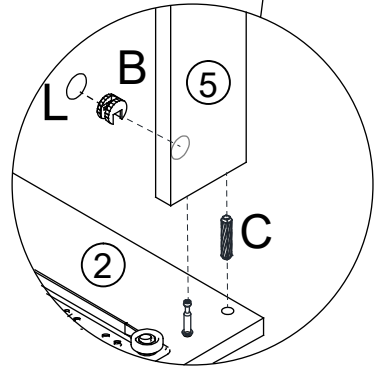
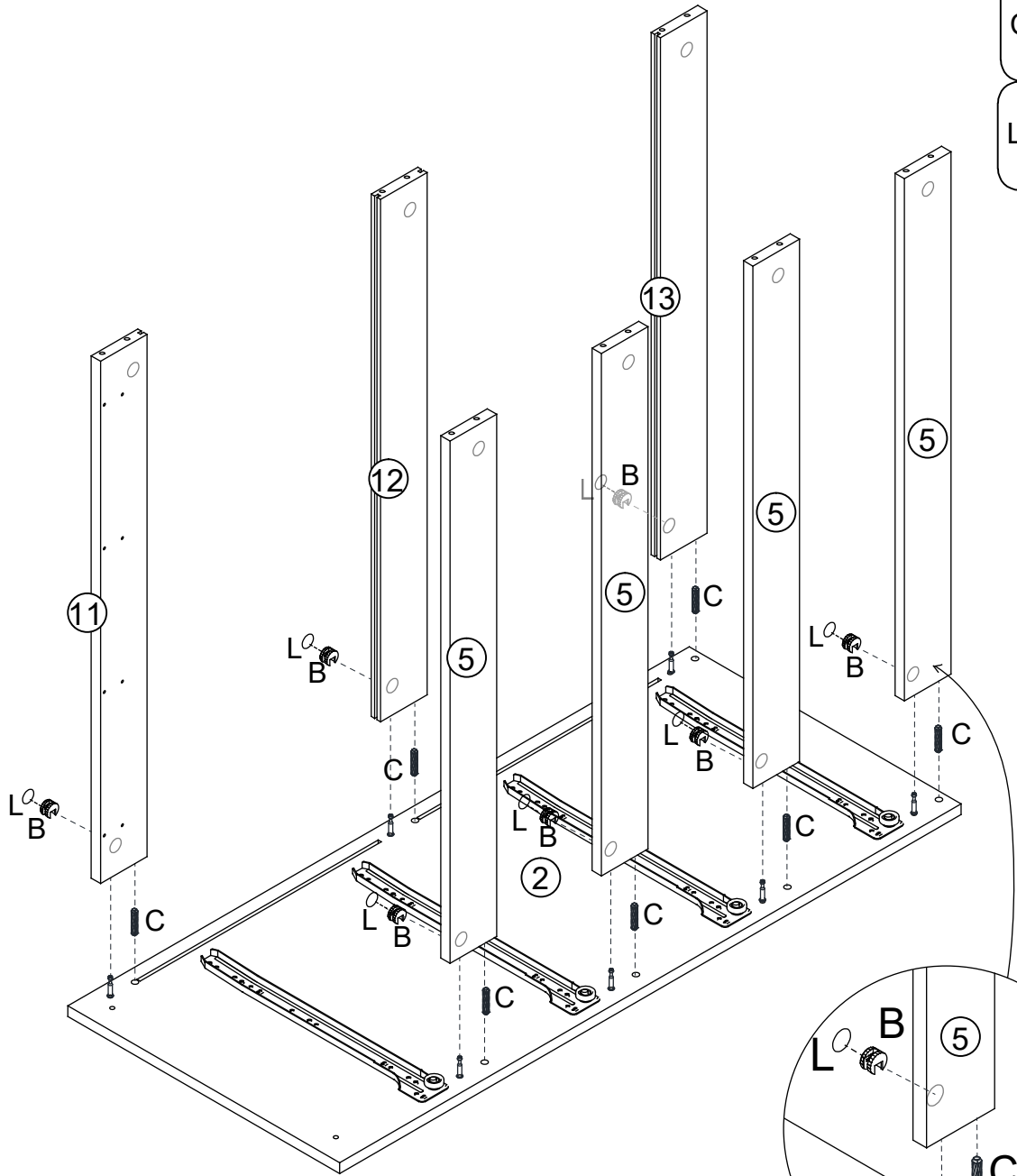


4

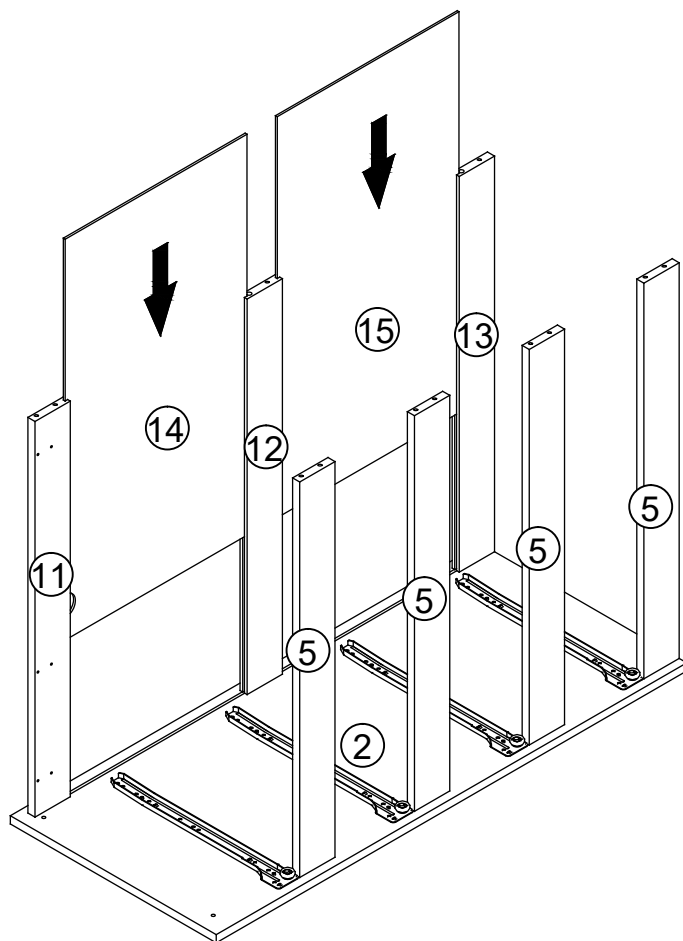


5

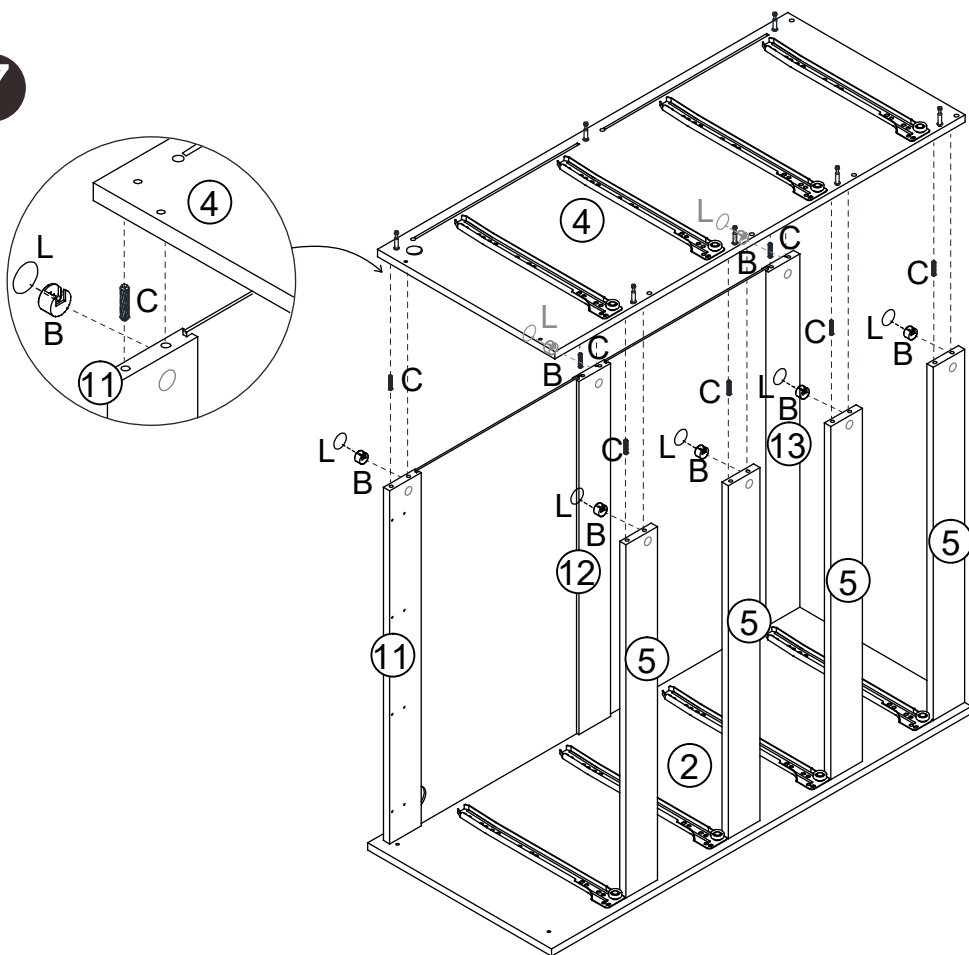
- B  x7
- C  x7
- L  x7






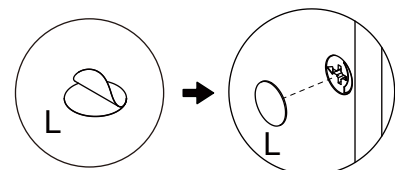
6



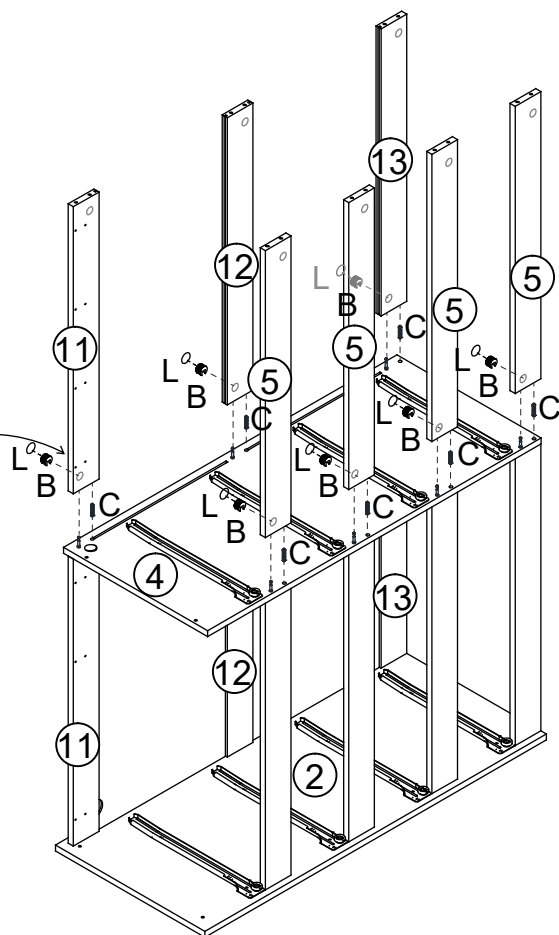
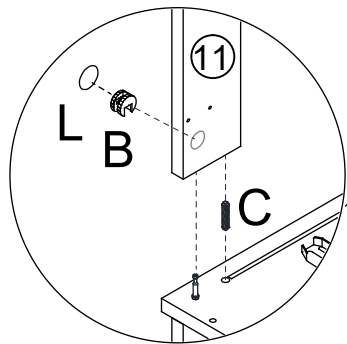
7






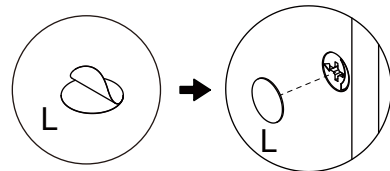
- B  x7
- C  x7
- L  x7



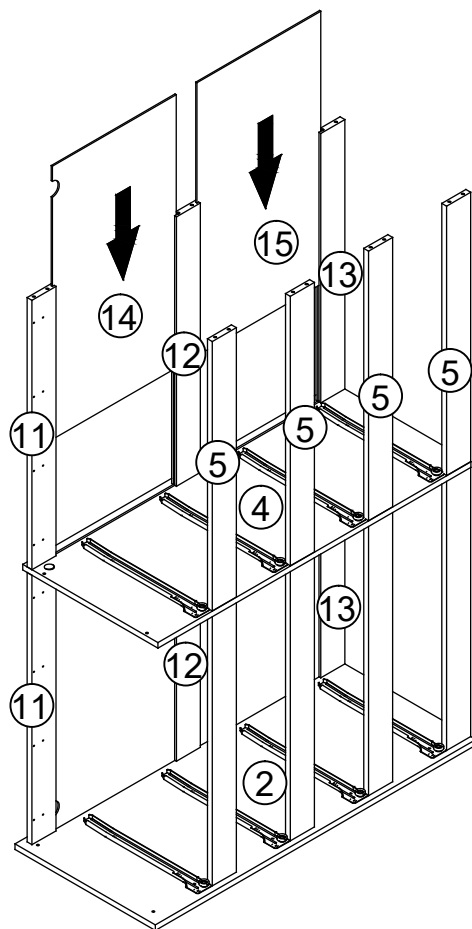
8






- B  x7
- C  x7
- L  x7

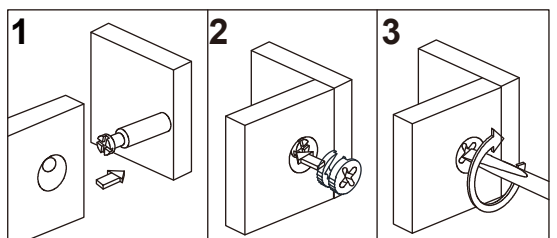
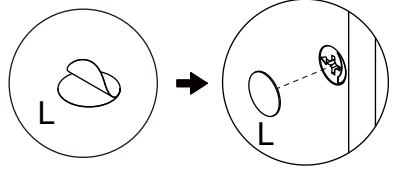
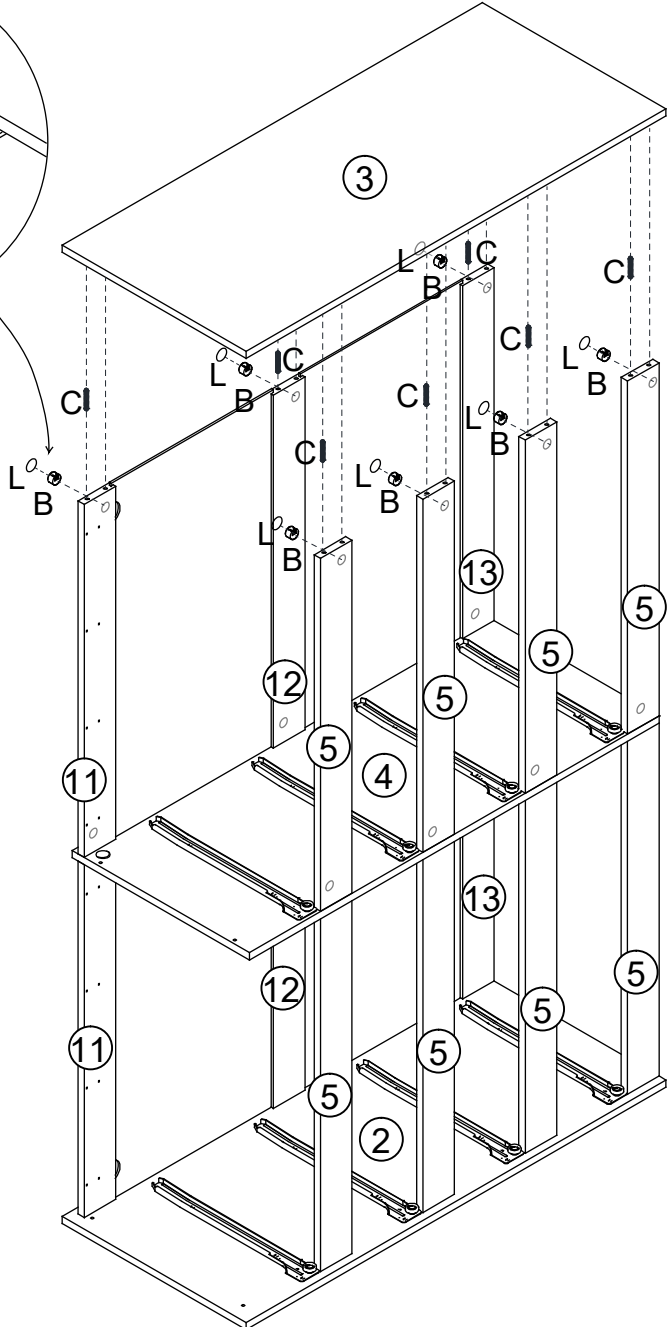
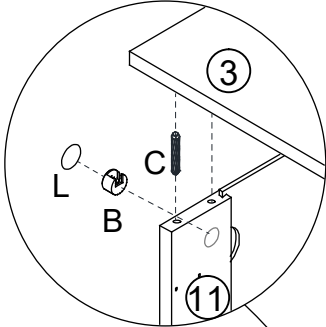


9

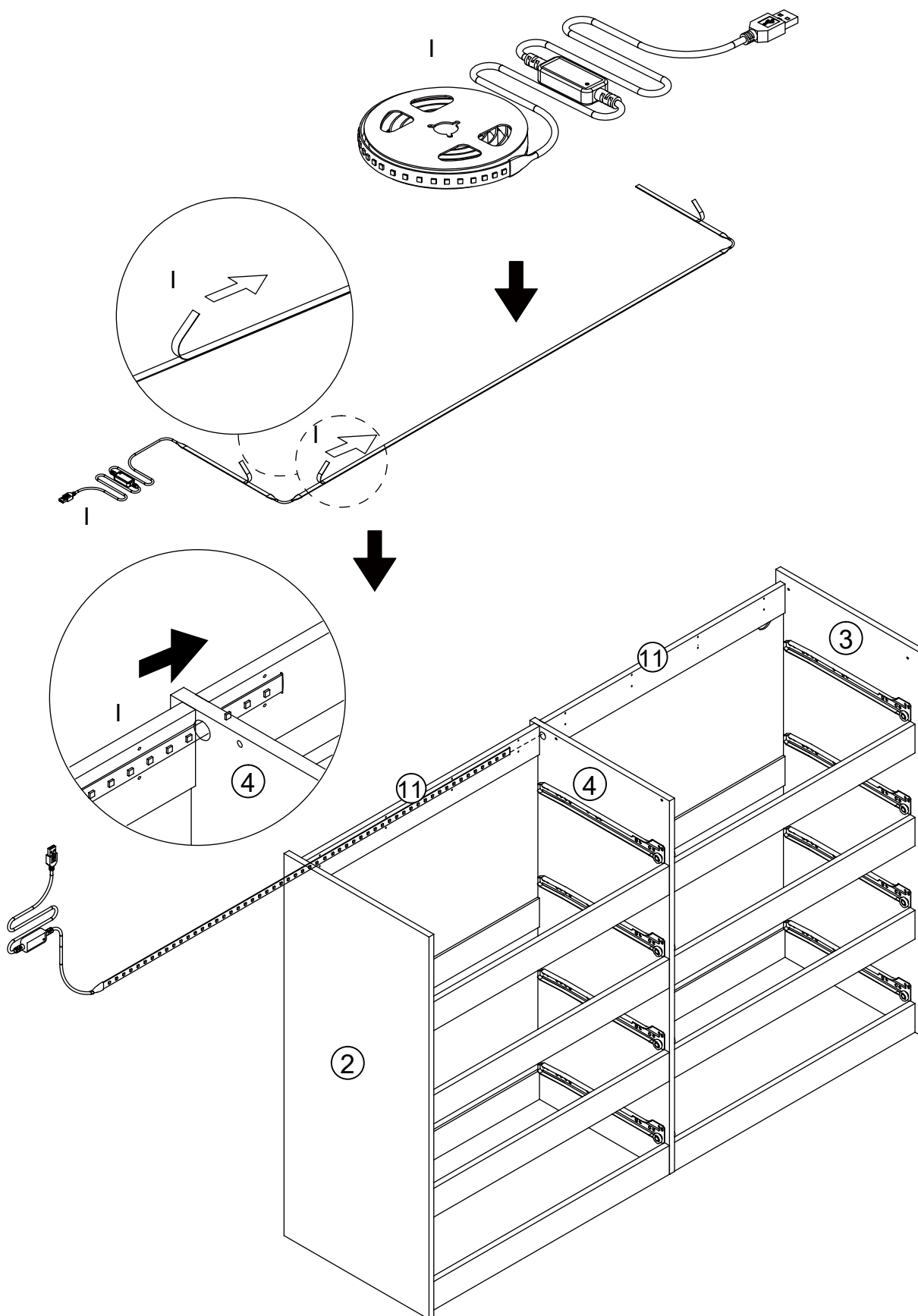
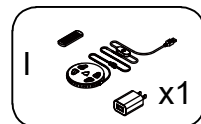


10

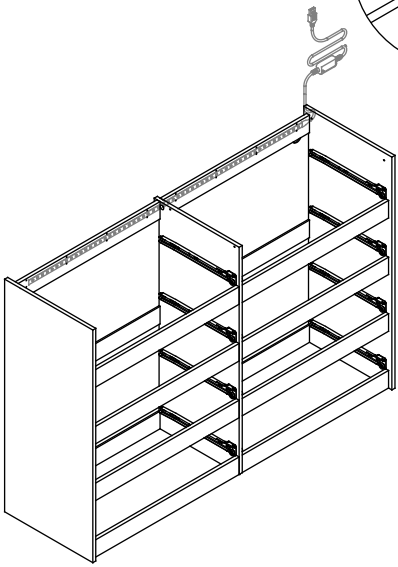
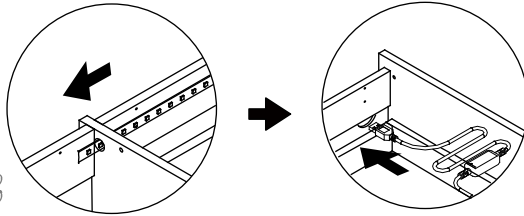
- B  x7
- C  x7
- L  x7



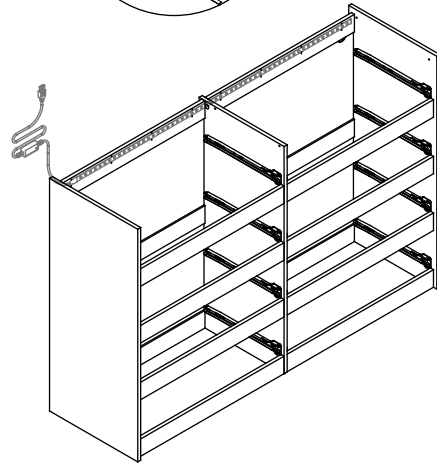
11


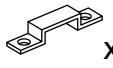



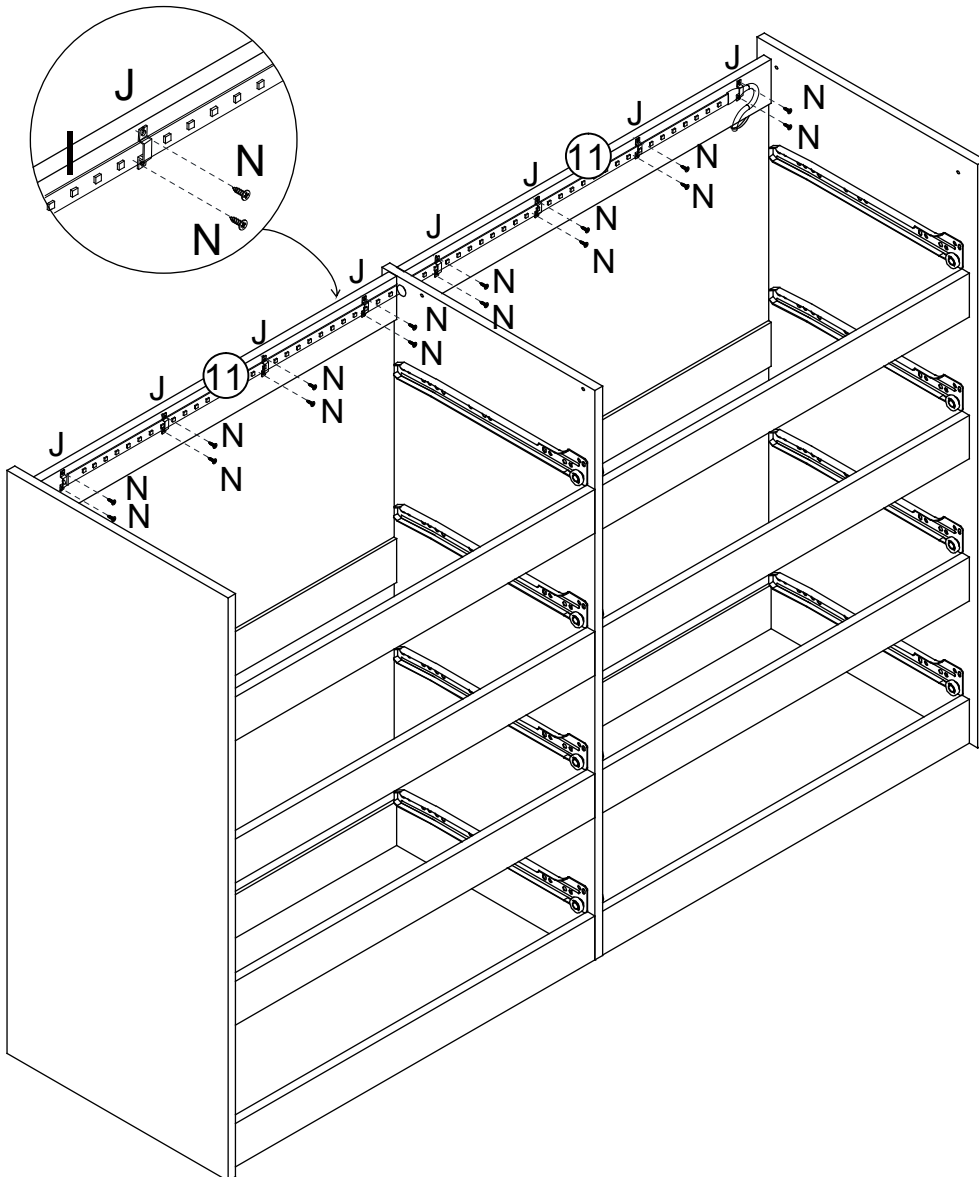
12



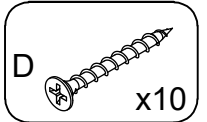
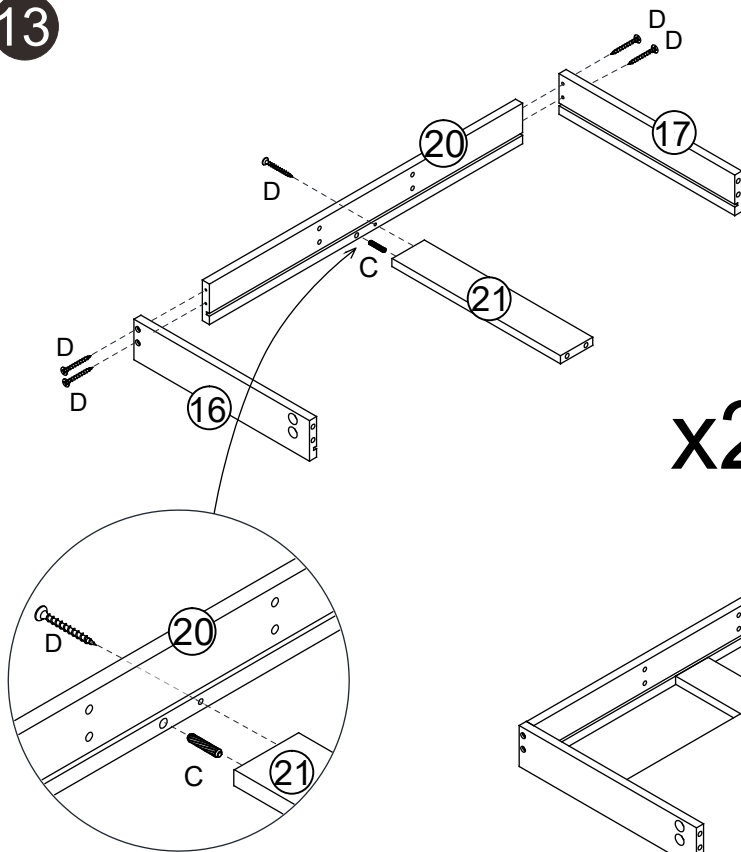
OR



- I  x1
- J  x8
- N  x16



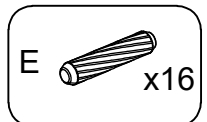
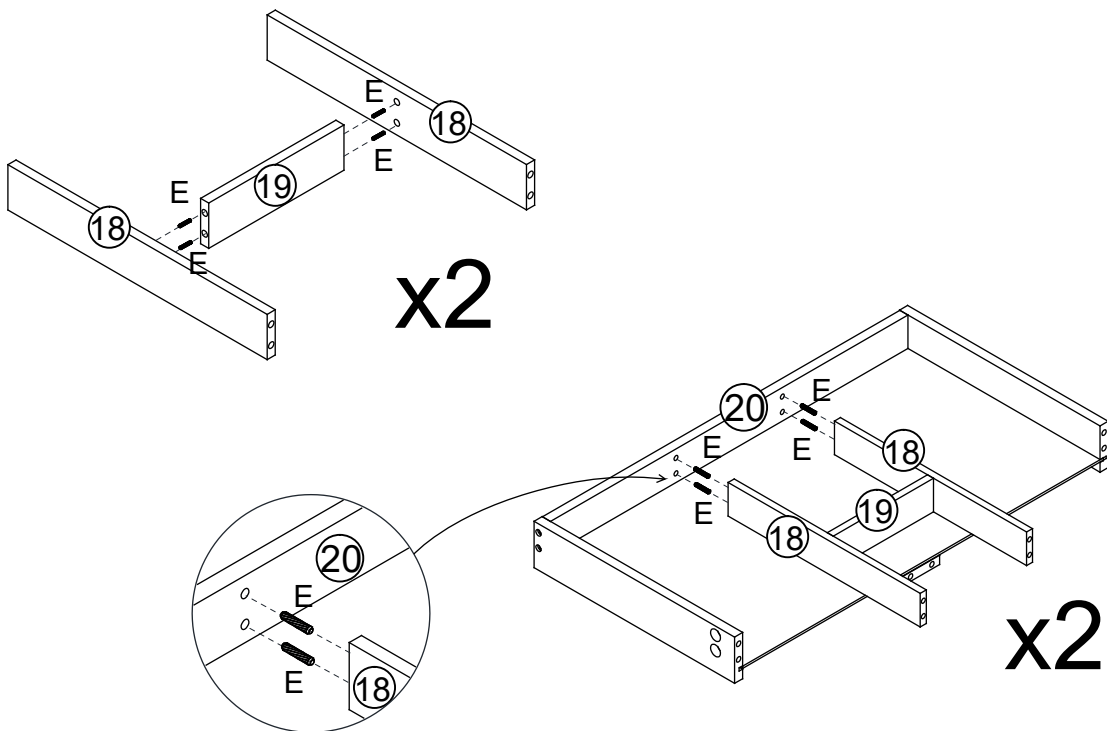
13



x2

x2

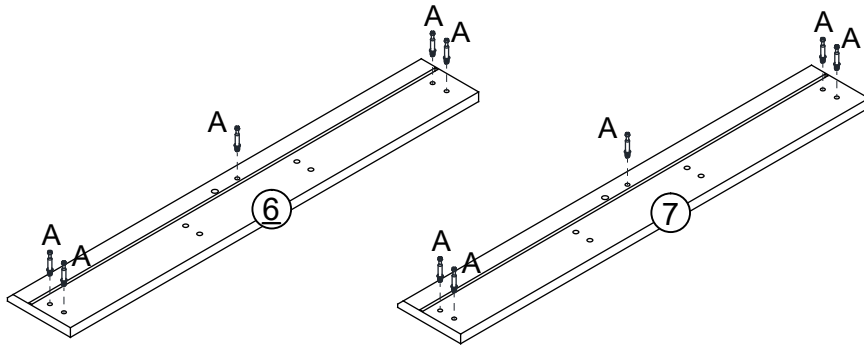
14








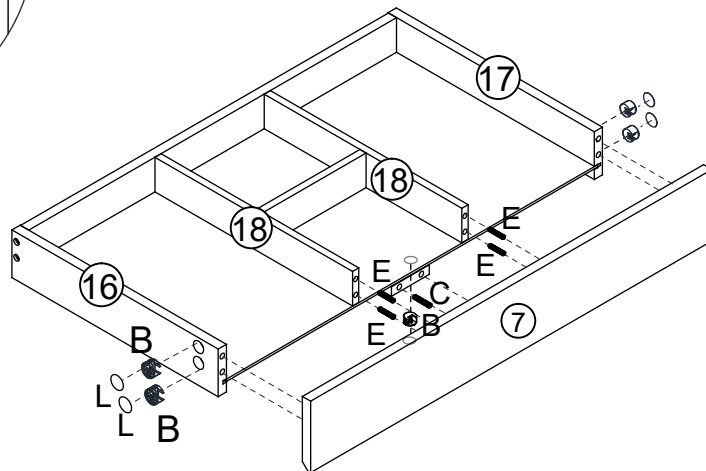
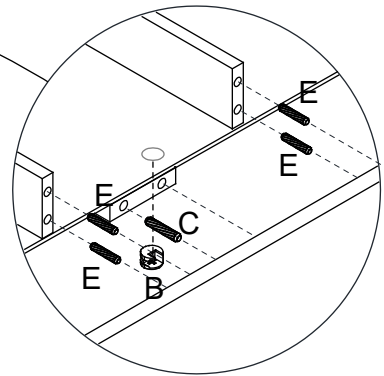
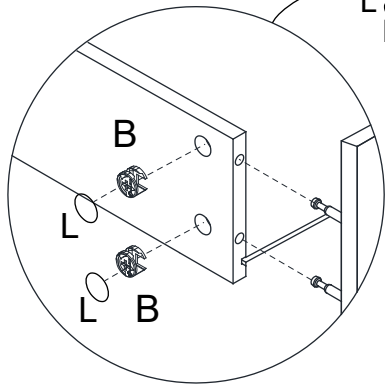
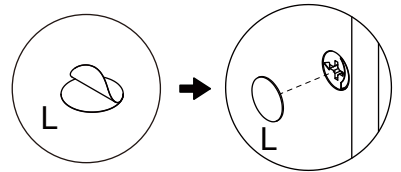
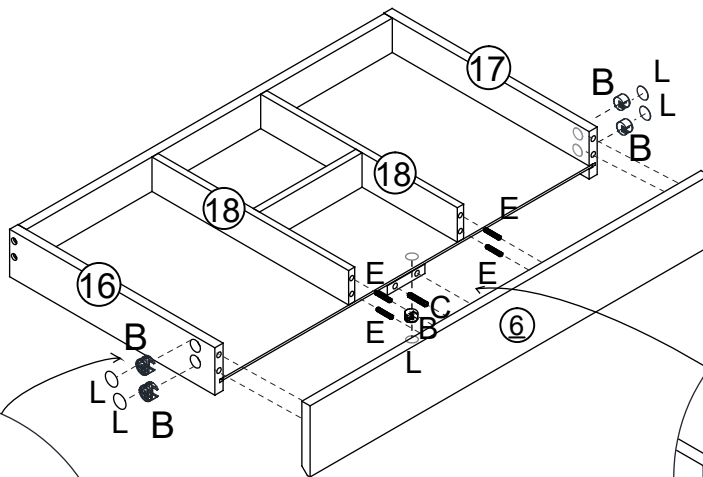
x2

x2

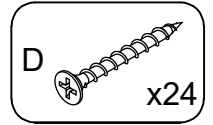
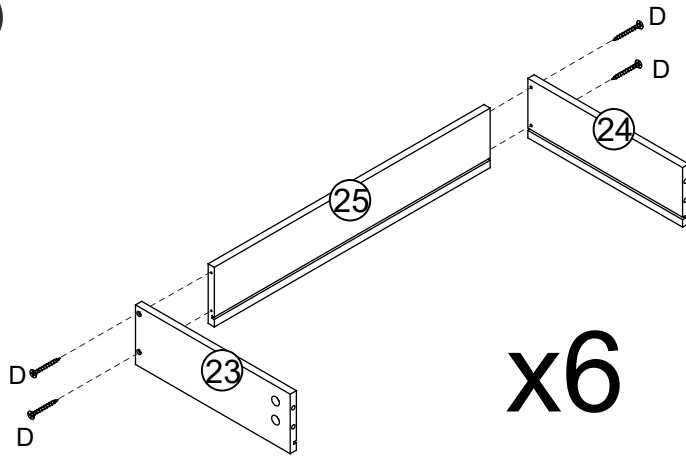
15



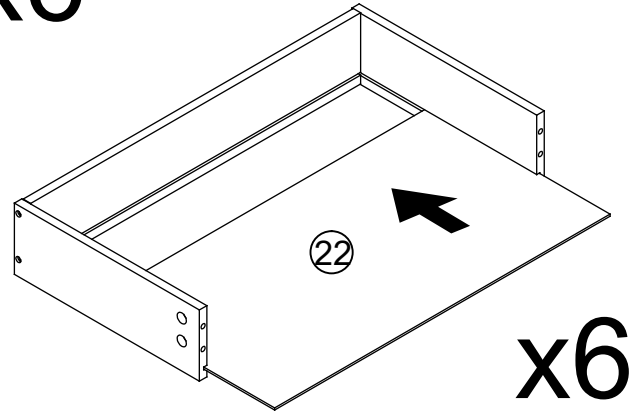
- C  x2
- B  x10
- A  x10
- L  x10
- E  x8



16

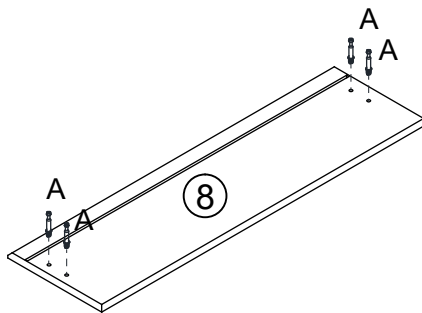


x6

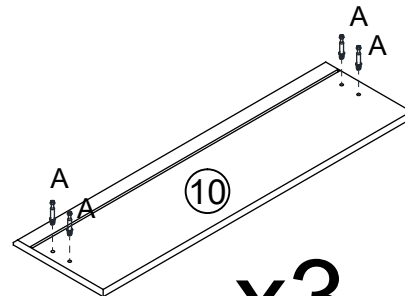


x6

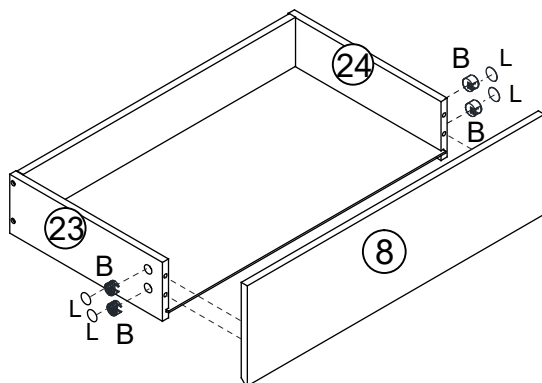
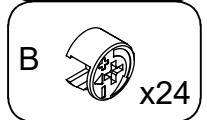
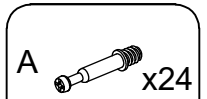
17



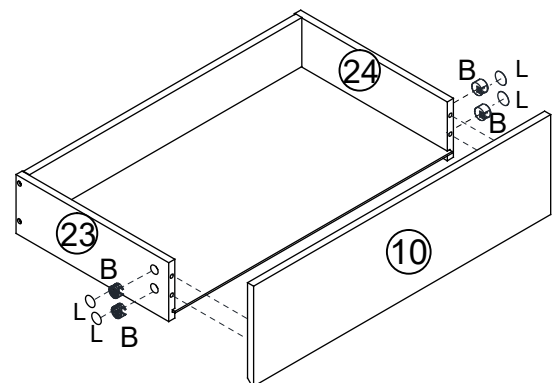
x3



x3



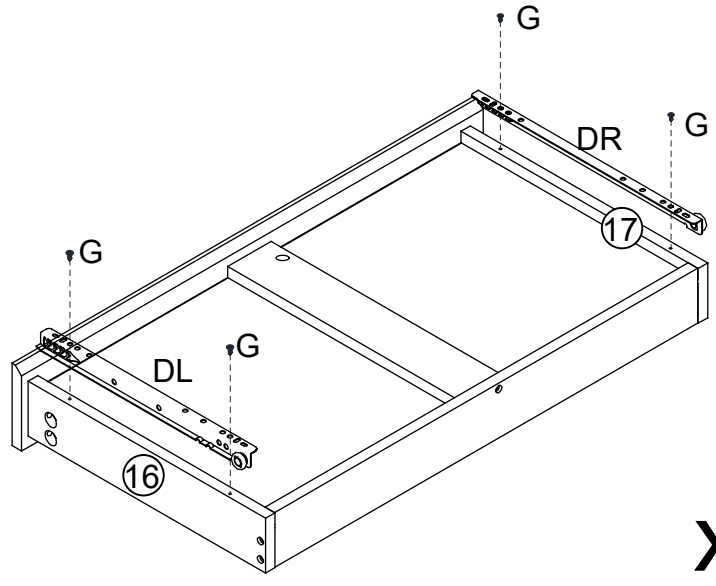
x3



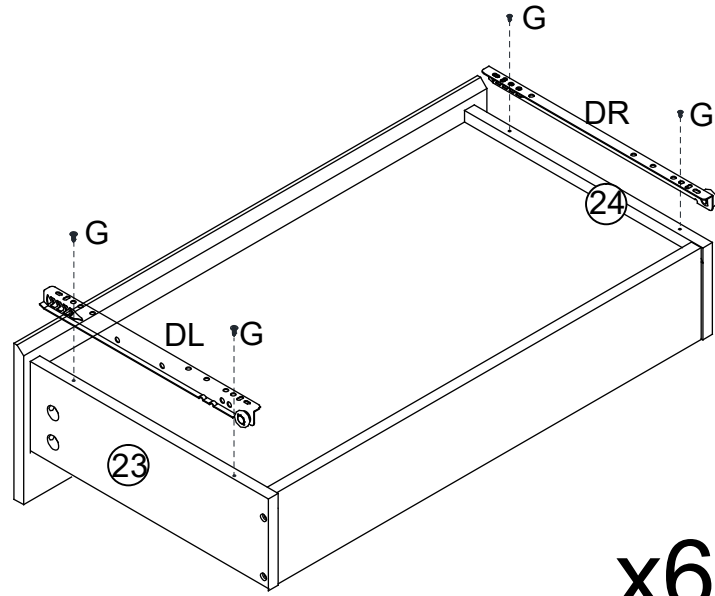
x3

18

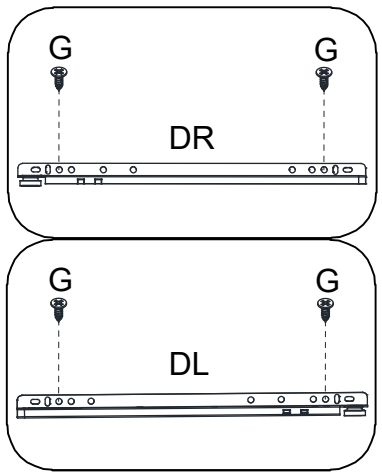
- DR x8
- DL x8
- G x32



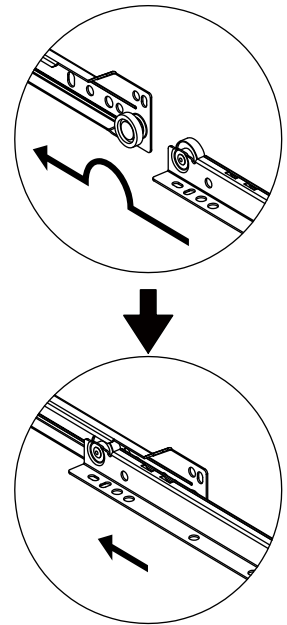
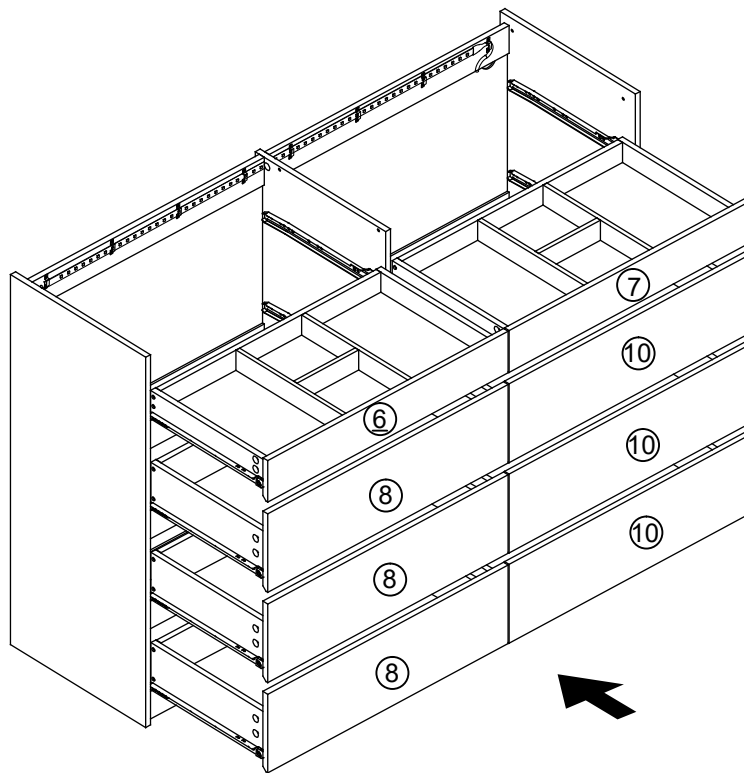
x2



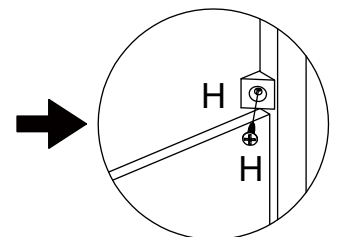
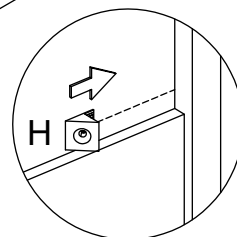
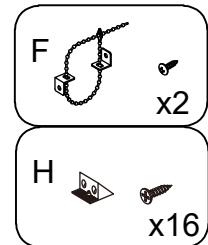
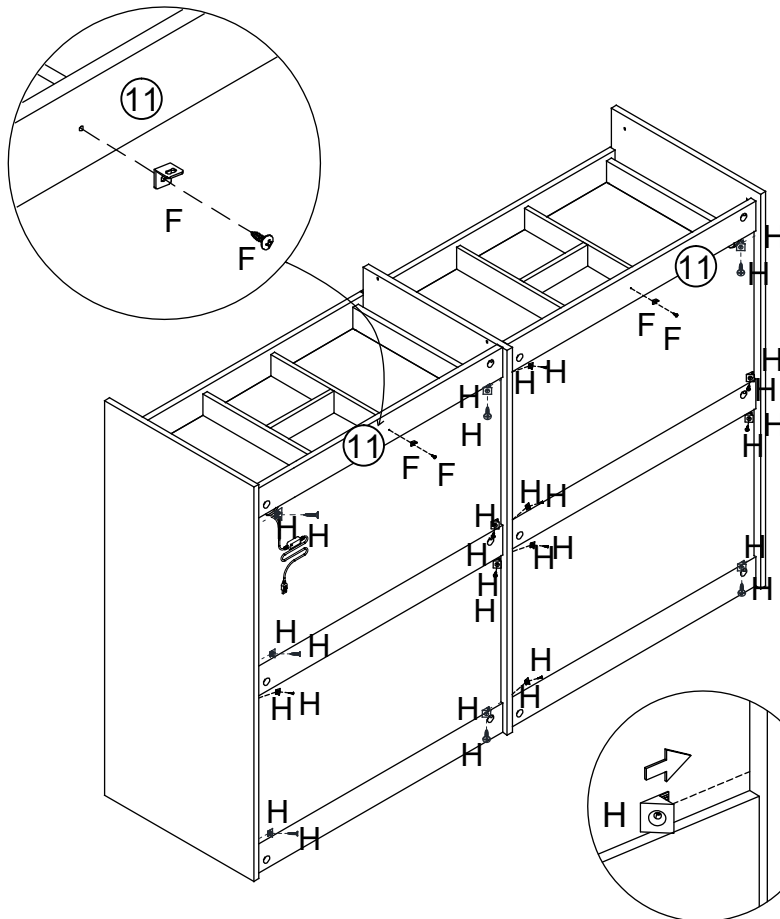
x6



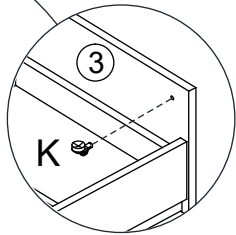
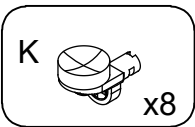
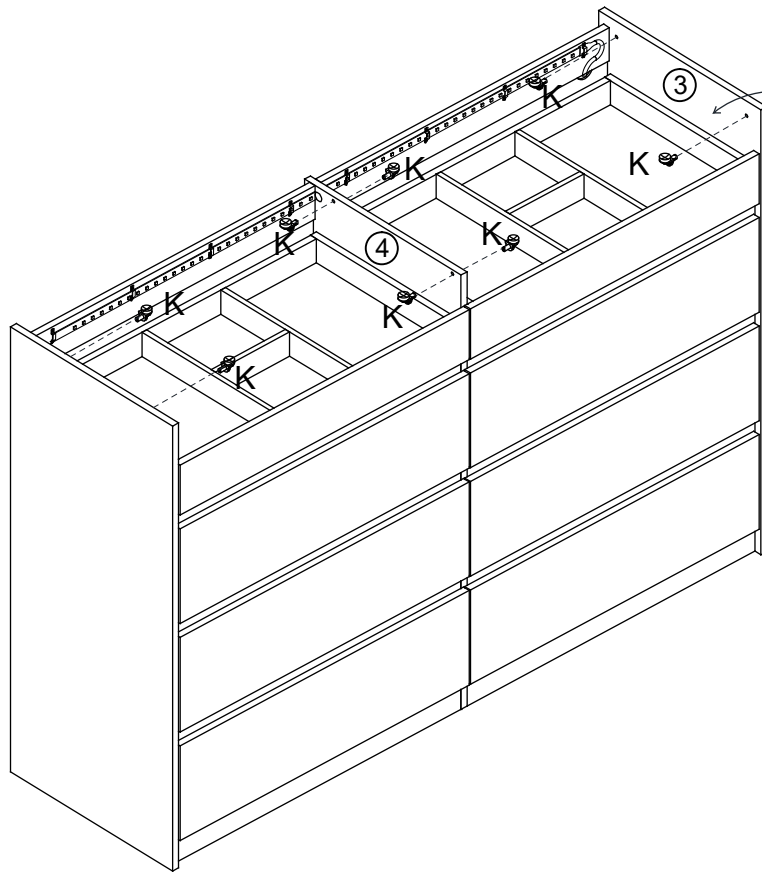
19



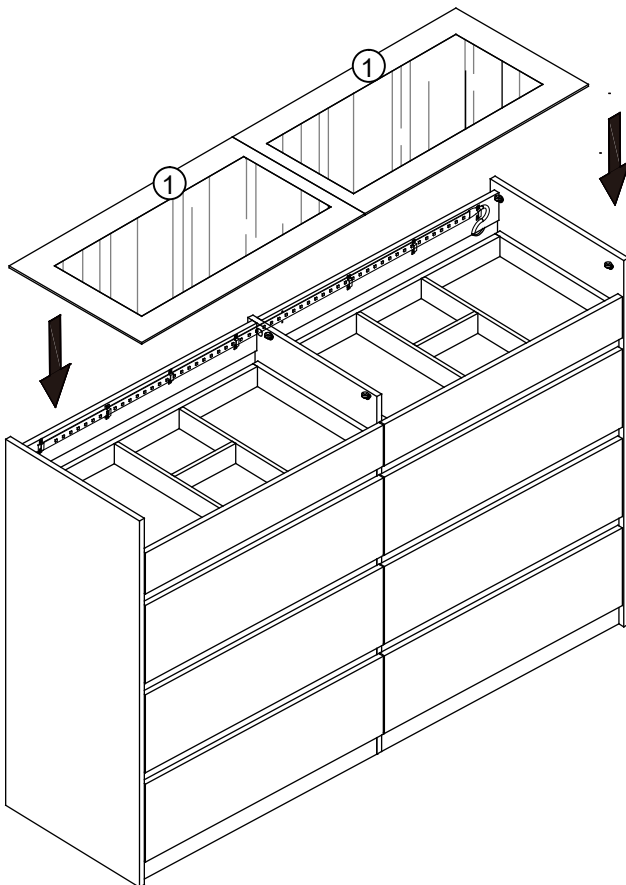
20



21



22



23

