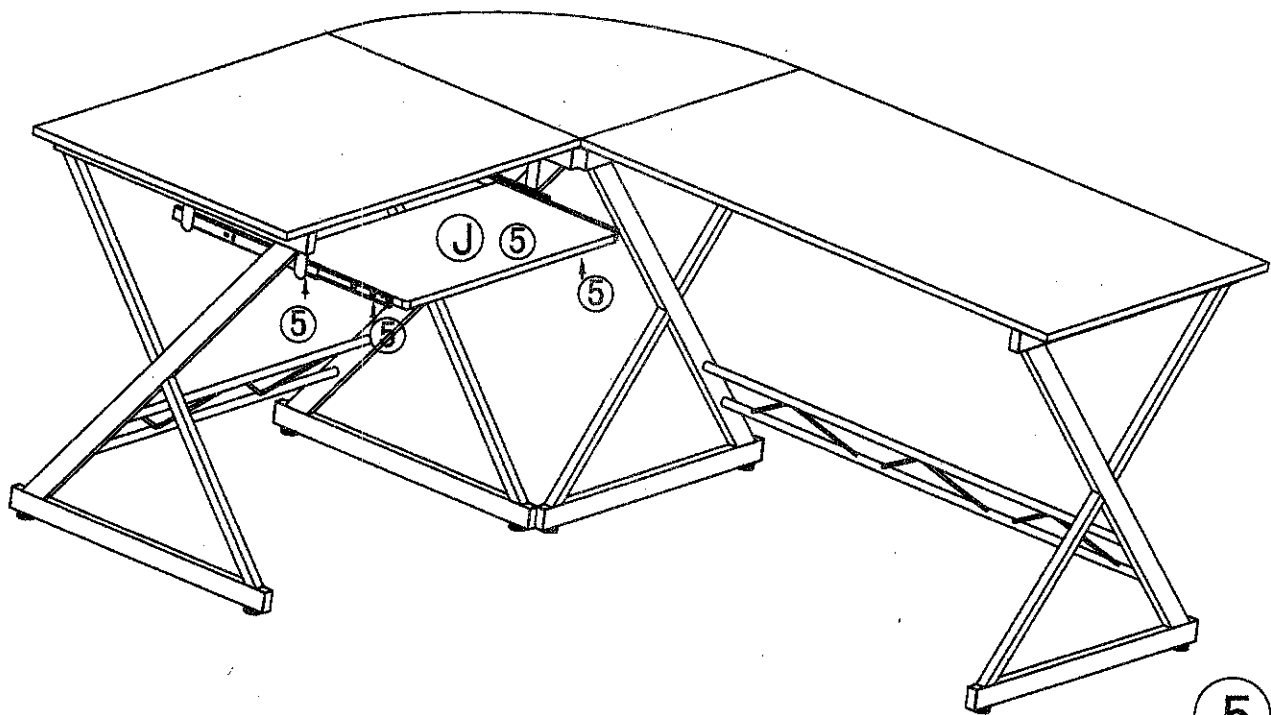
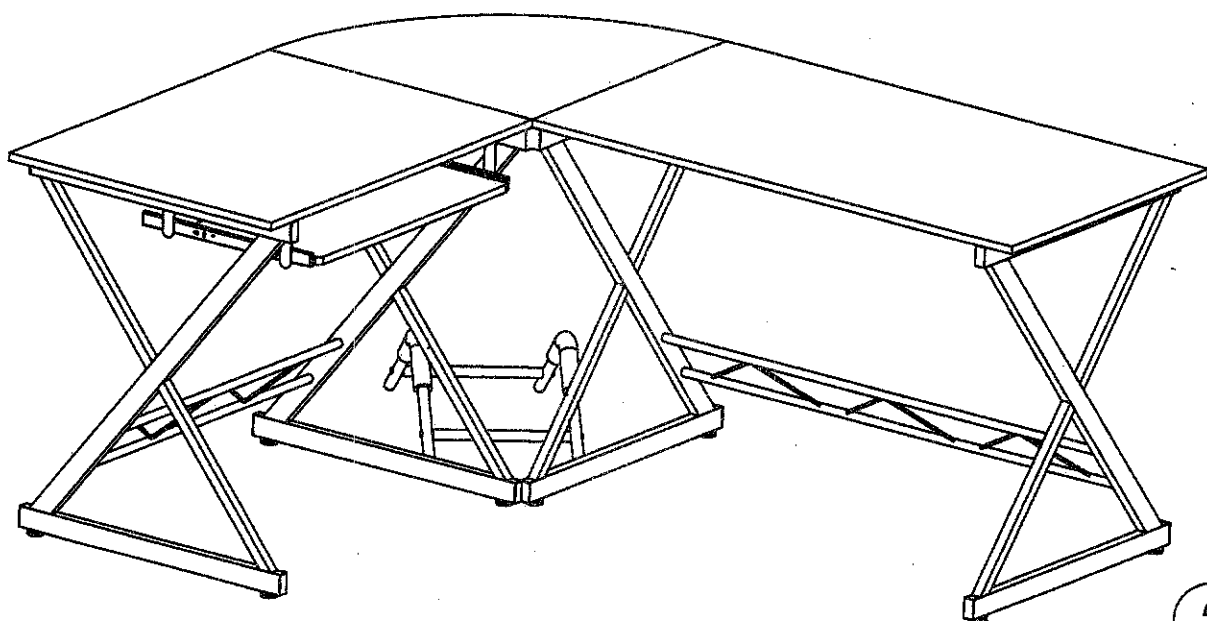
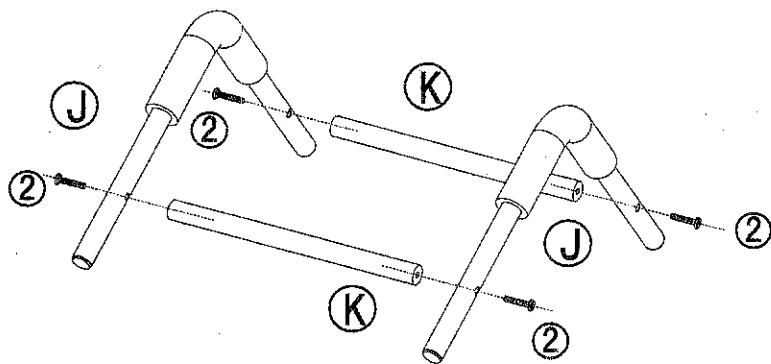


5



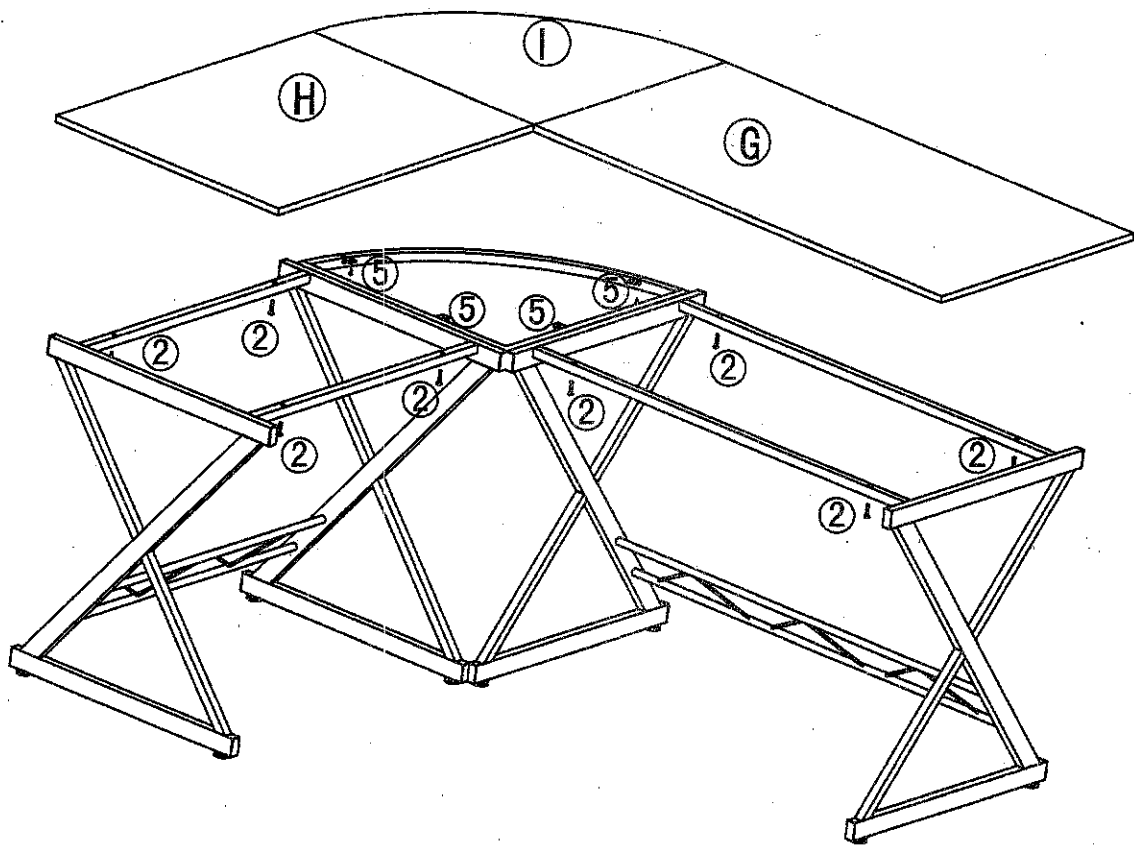
5 X4

6



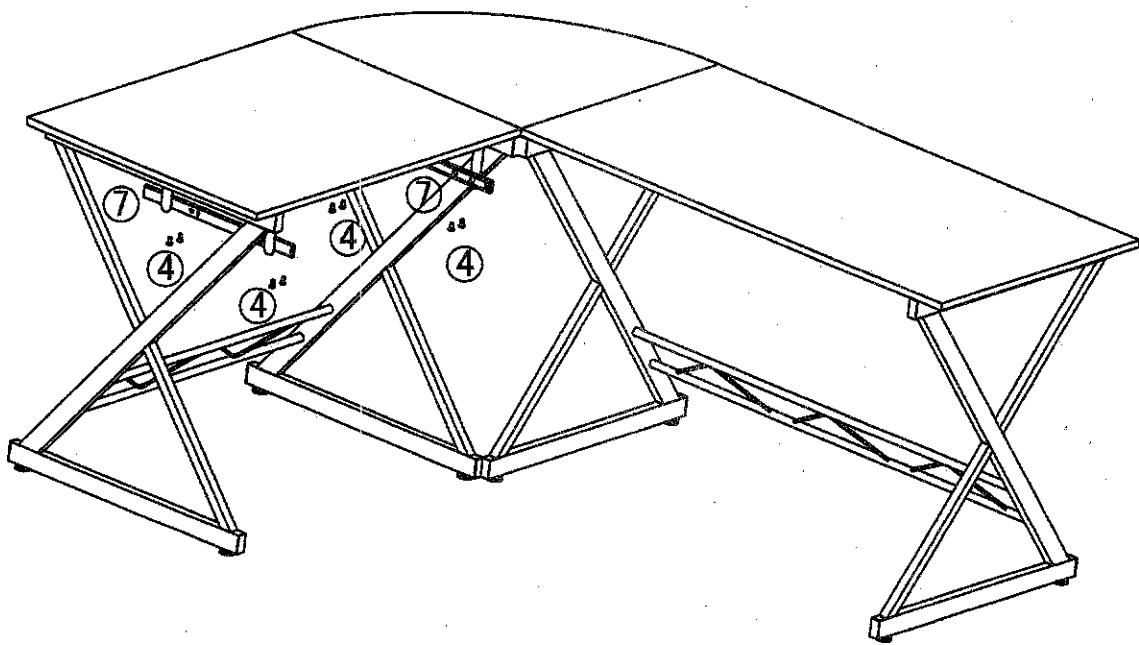
2 X4

3



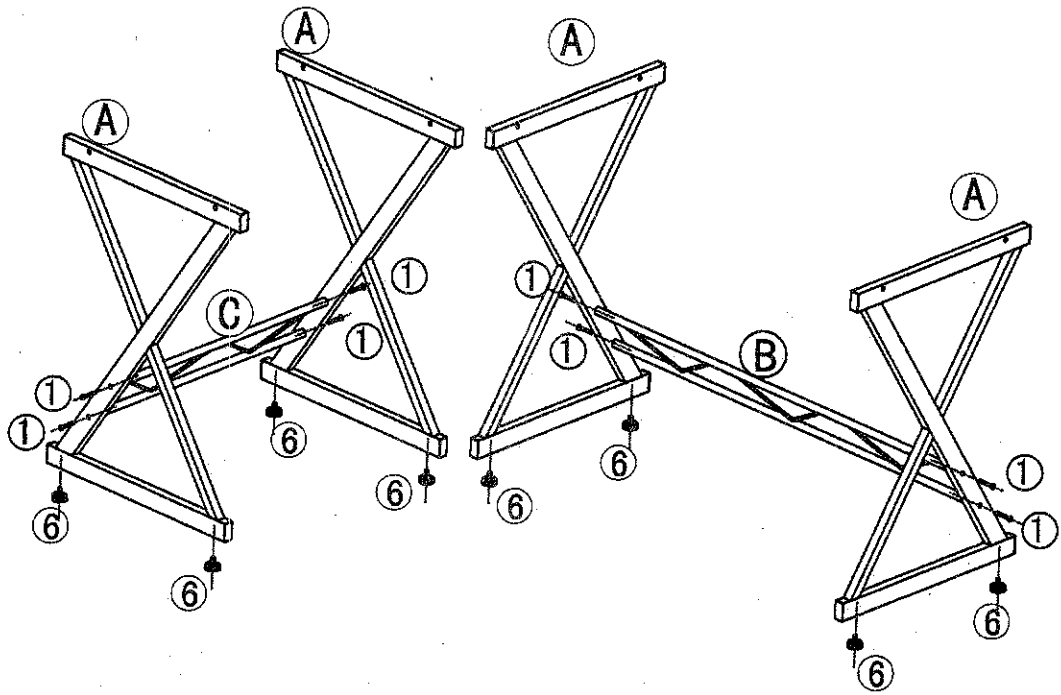
② X8
⑤ X4

4



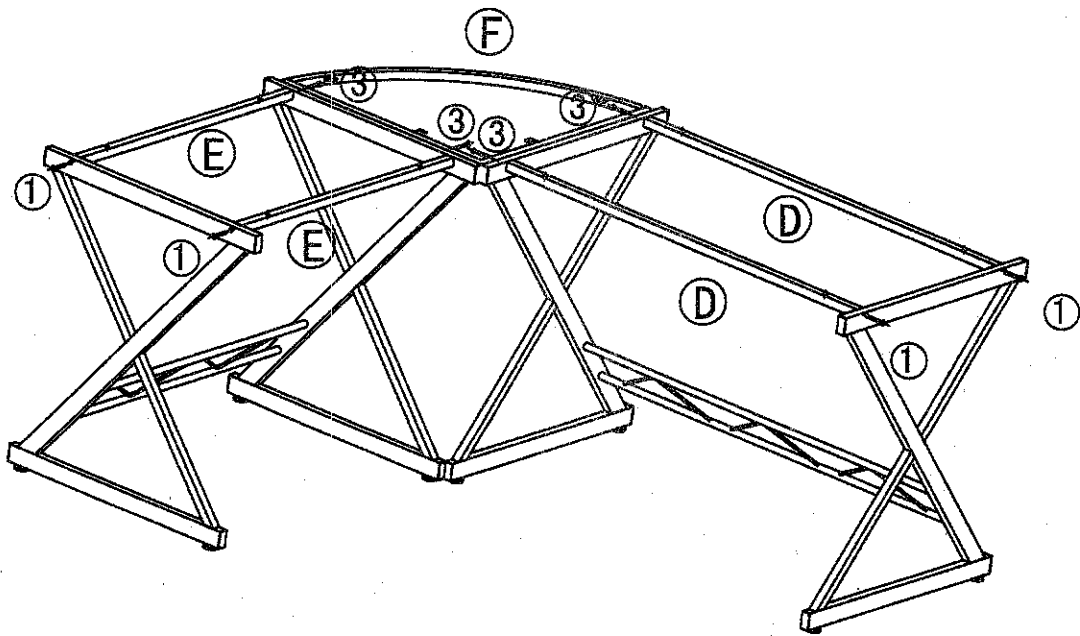
④ X8

1



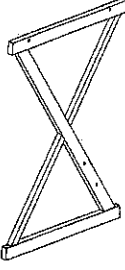
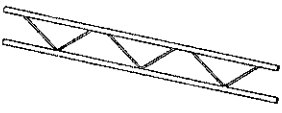
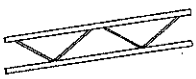


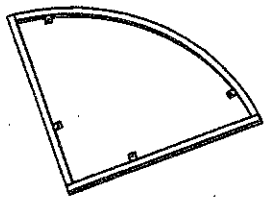
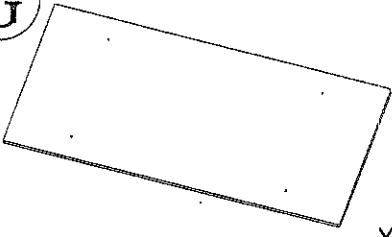
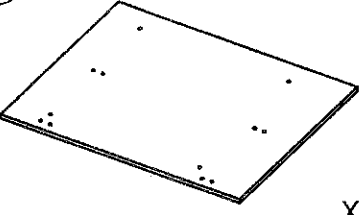

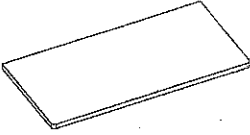
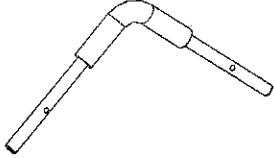
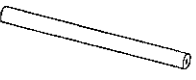







① X8
⑥ X8

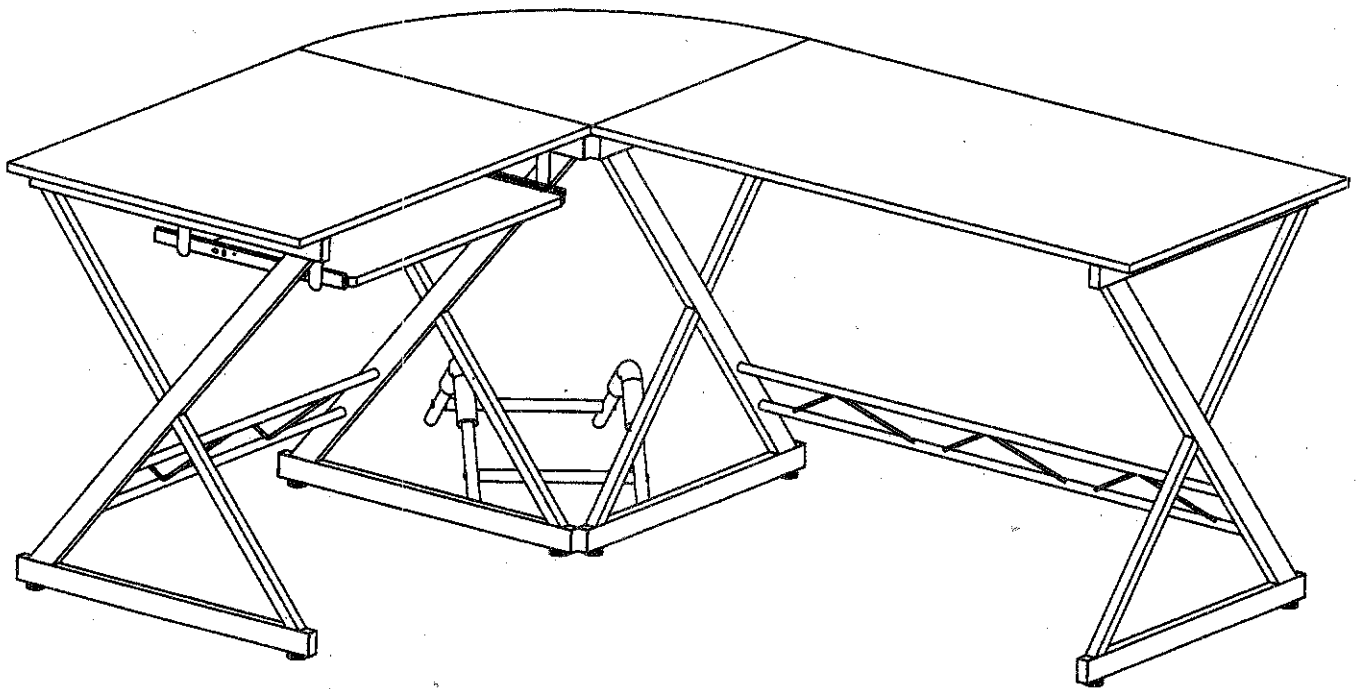
2



① X4
③ X4

PART

<p>A</p>  <p>X4</p>	<p>B</p>  <p>X1</p>	<p>C</p>  <p>X1</p>
<p>D</p>  <p>X2</p>	<p>E</p>  <p>X2</p>	<p>F</p>  <p>X1</p>
<p>G</p>  <p>X1</p>	<p>H</p>  <p>X1</p>	<p>I</p>  <p>X1</p>
<p>J</p>  <p>X1</p>	<p>K</p>  <p>X2</p>	<p>L</p>  <p>X2</p>
<p>1</p>  <p>M6x35 12PCS</p>	<p>5</p>  <p>M4X14 8PCS</p>	
<p>2</p>  <p>M6x30 12PCS</p>	<p>6</p>  <p>8PCS</p>	
<p>3</p>  <p>M6x55 4PCS</p>	<p>7</p>  <p>1SET</p>	
<p>4</p>  <p>M6x12 8PCS</p>		



IMPORTANT: DON'T FASTEN BOLTS UNTIL ALL PARTS IN POSITION.