

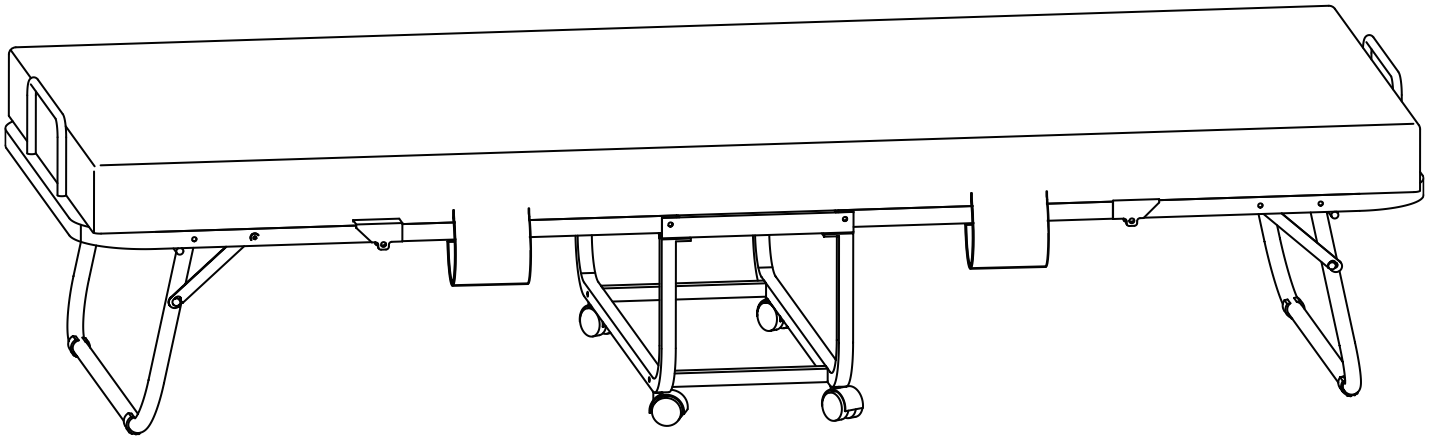
# ASSEMBLY INSTRUCTION

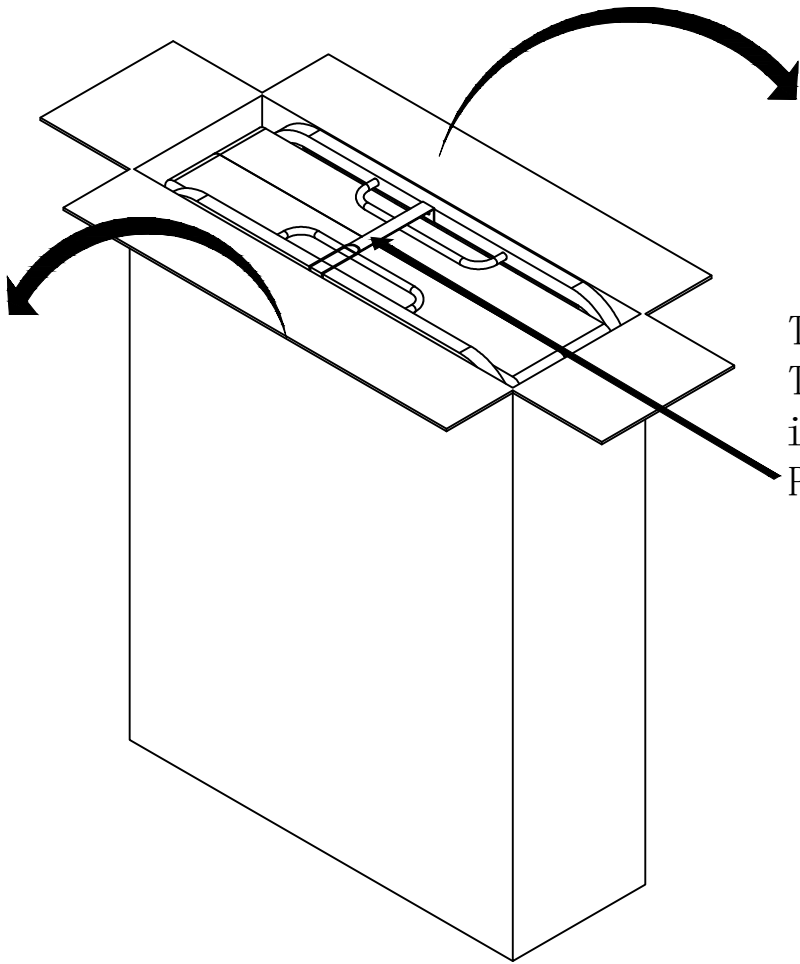
## Folding Bed

210552550

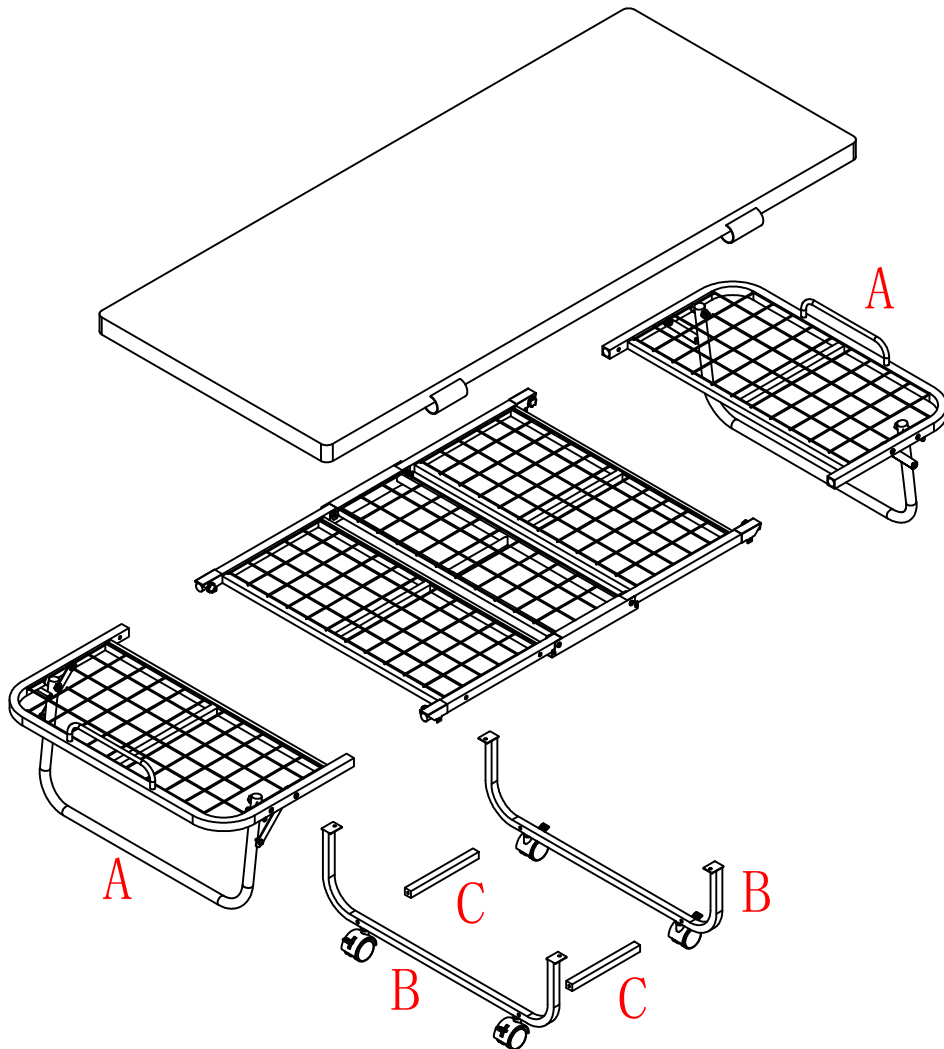
210554550

210555550





TIP:  
Two people are required to  
install the folding bed.  
Plesse do NOT pull the strap.

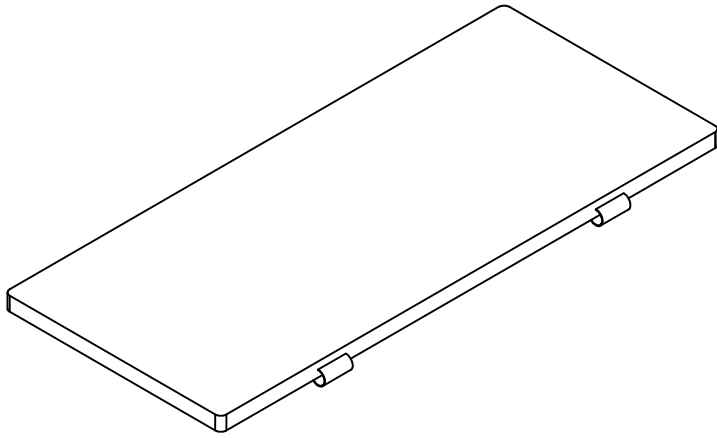


# Part List

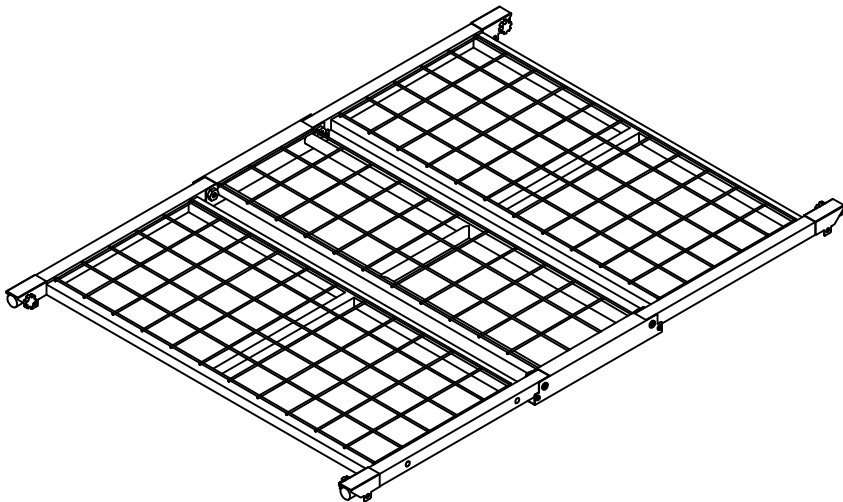
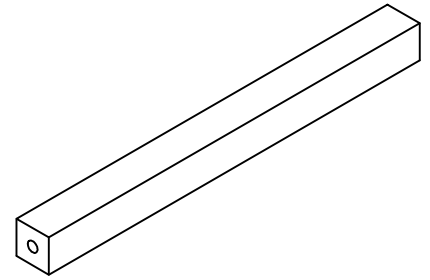
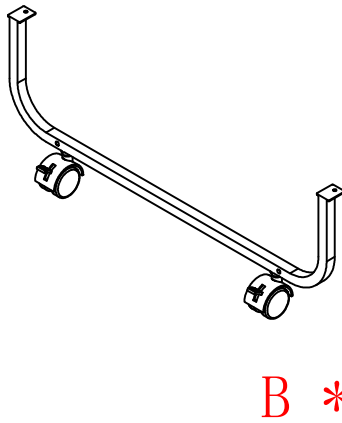
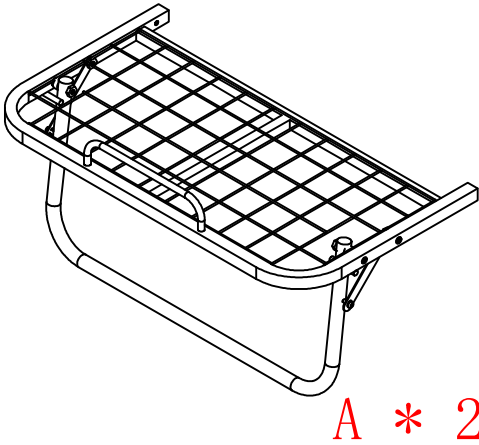
## Mattress

Open packing bag wait mattress recovery

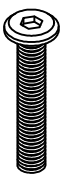
Mattress recovery schedule



Recovery time	Recovery ratio
1 hour	90%
3 hour	94%
24 hour	97%
48 hour	98%



① \* 4



M6\*35

② \* 4



M6\*15

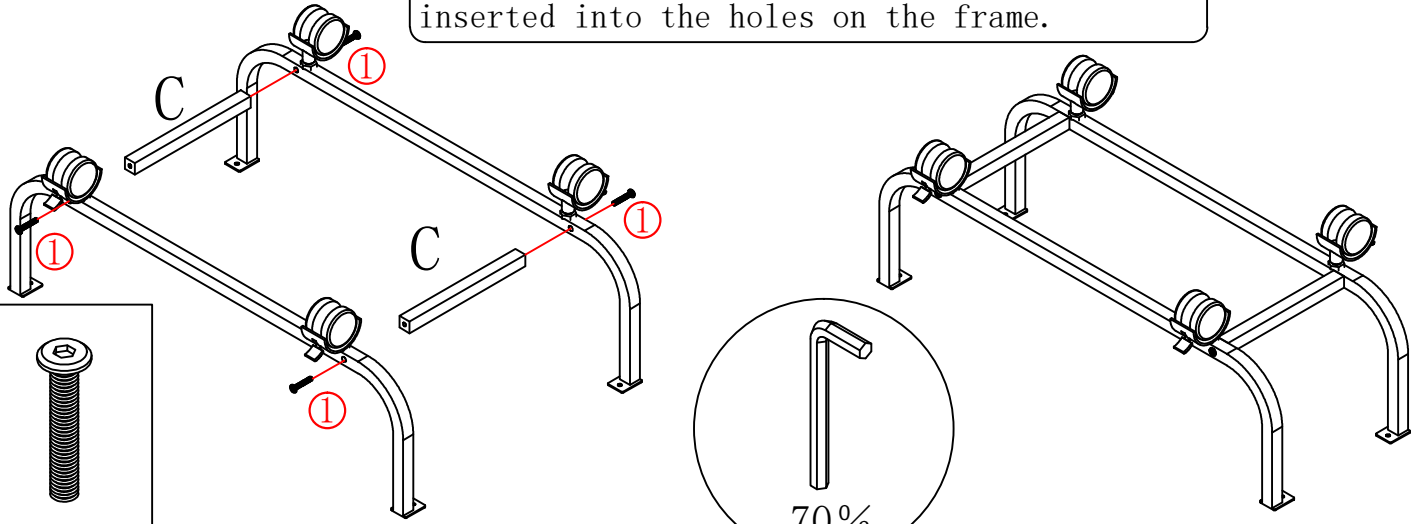


(EXT)

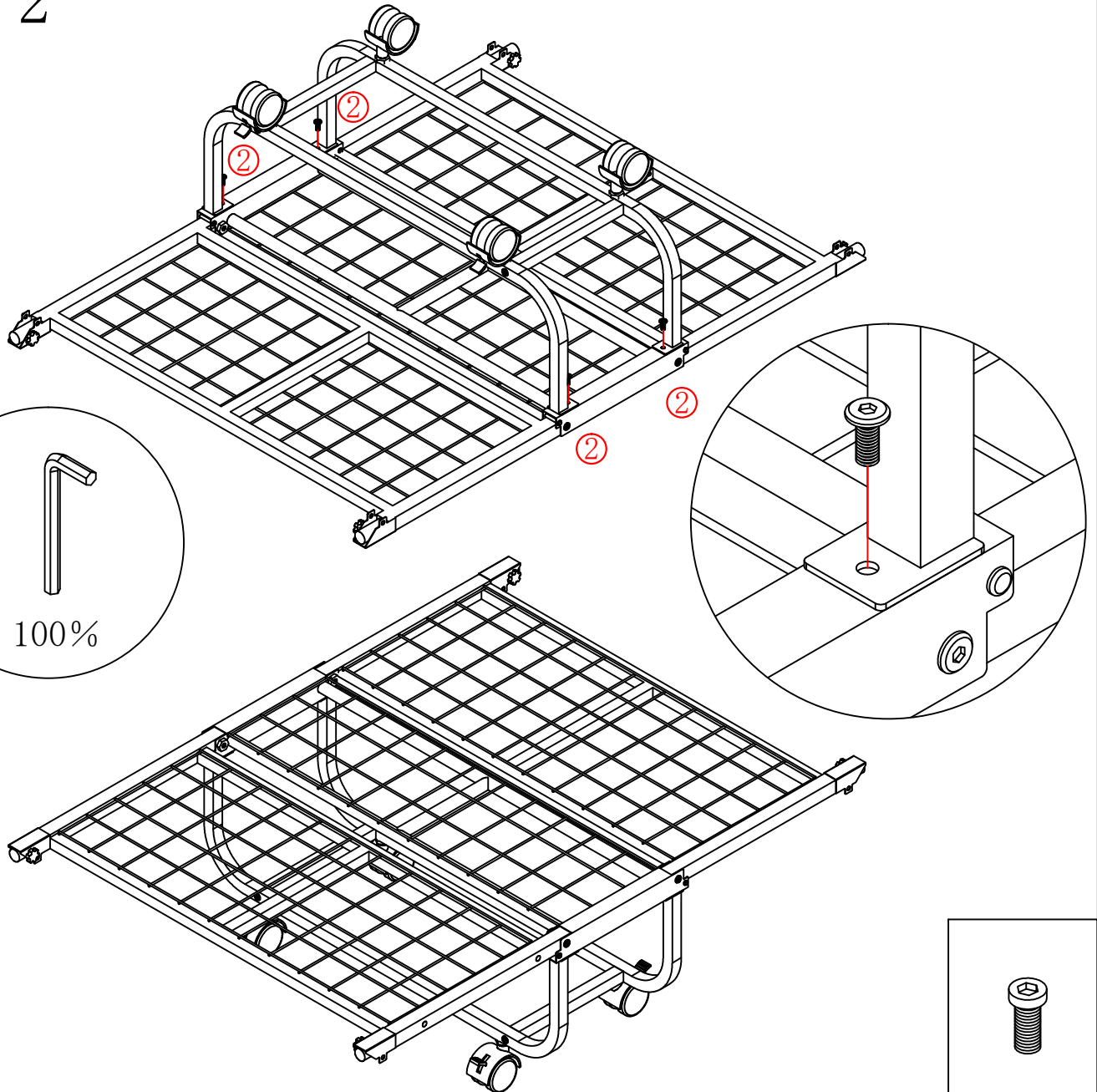
5mm Allen Key  
(Used for  
tightening the  
wheels and  
special screws)

# Step 1

Note: Please do not tighten screws completely until all screws in step 2 are lined up and inserted into the holes on the frame.

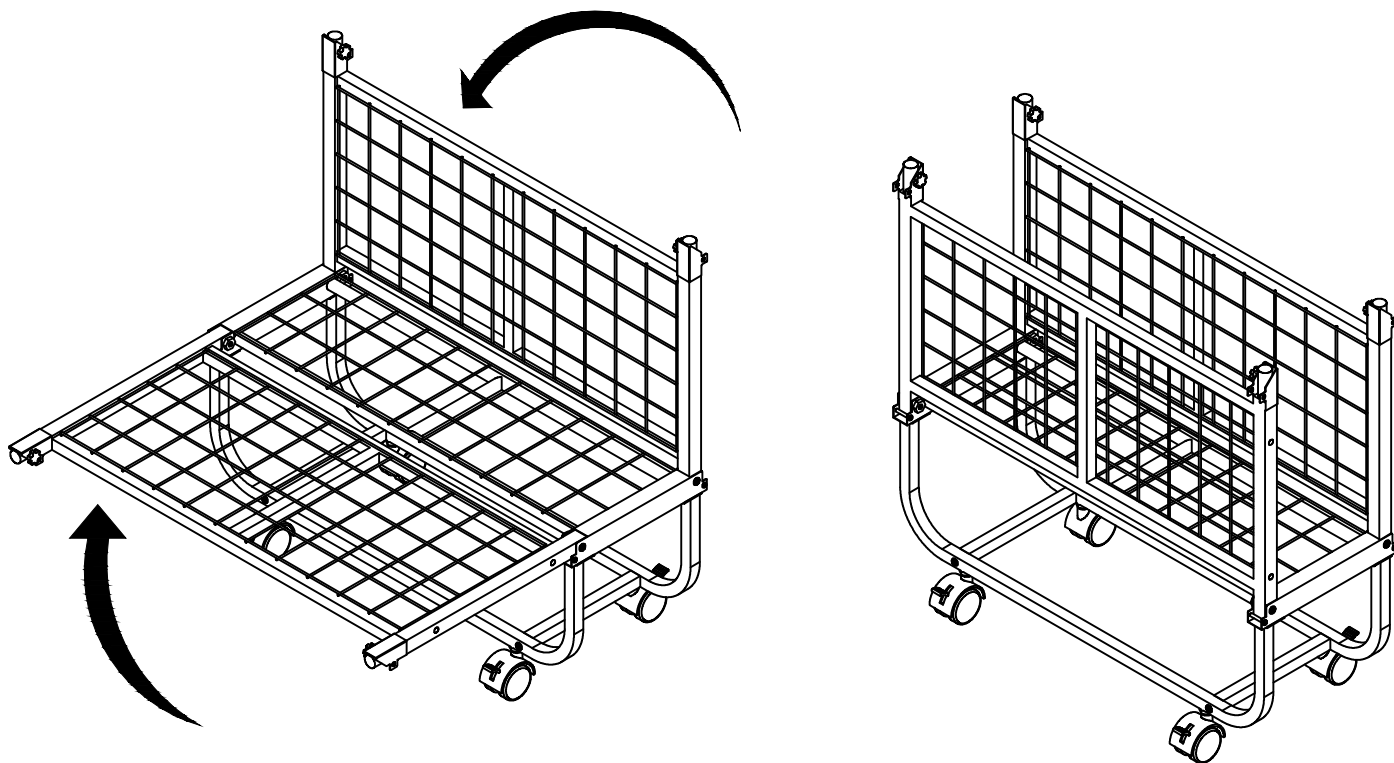


# Step 2



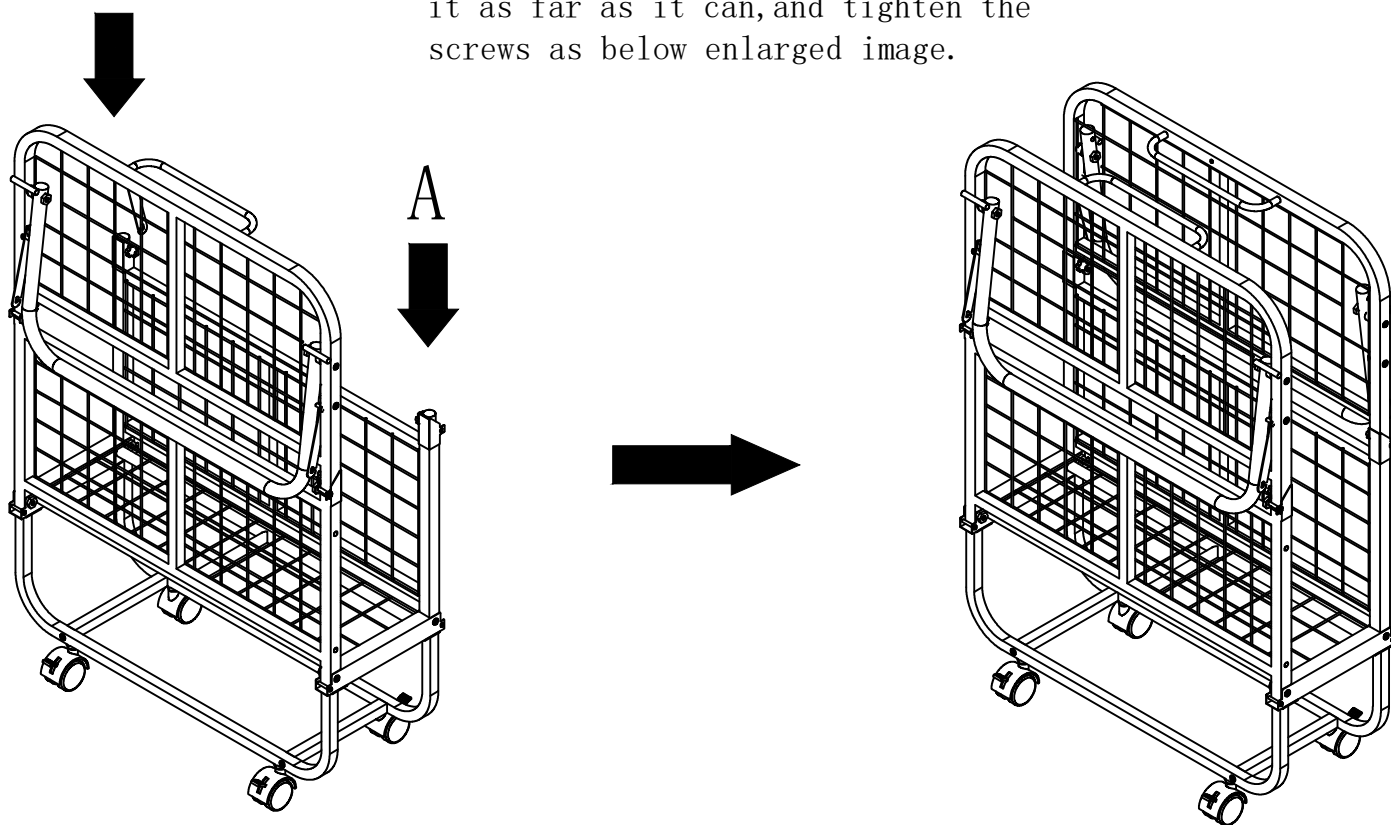
② x4

# Step 3

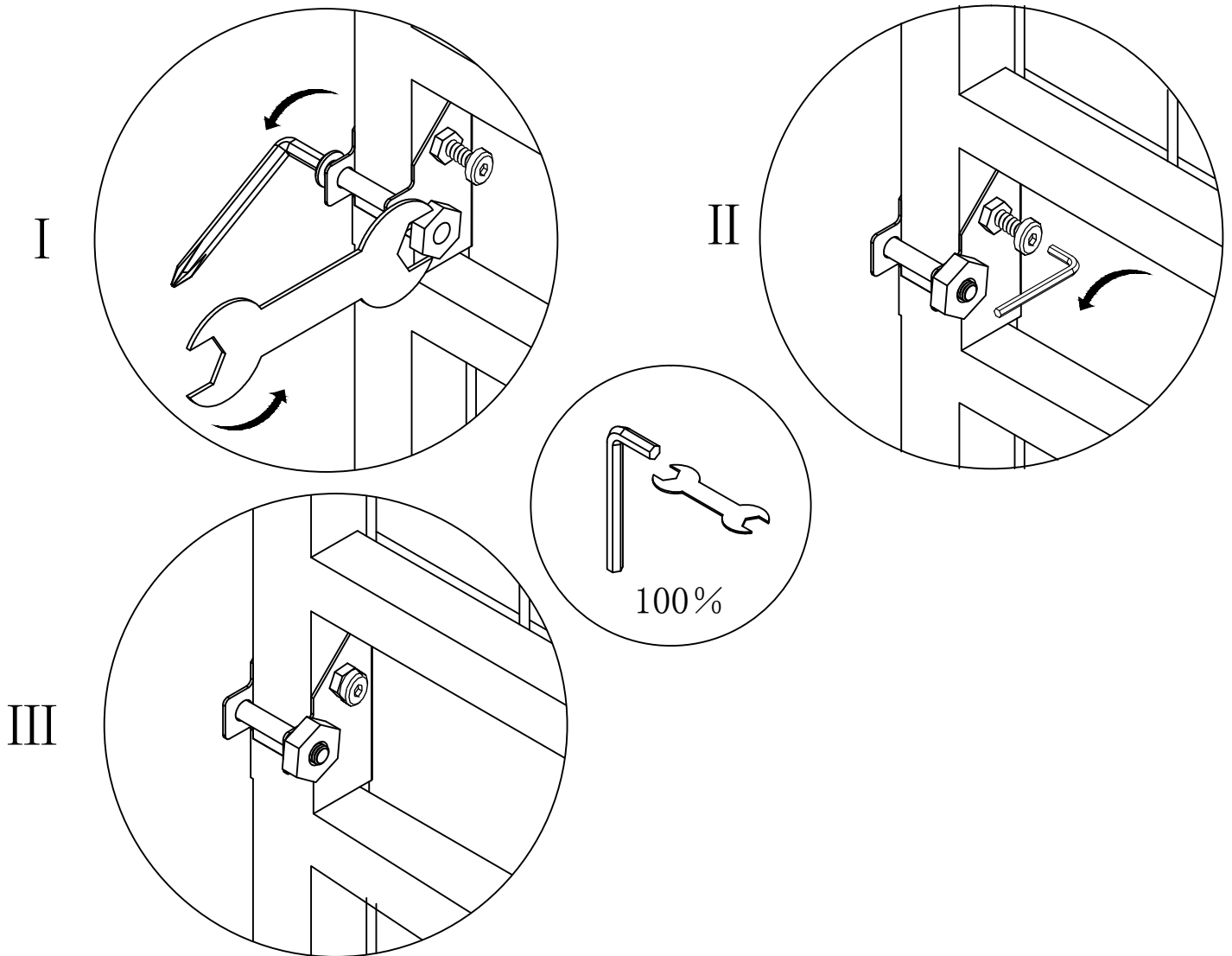


# Step 4 - (1)

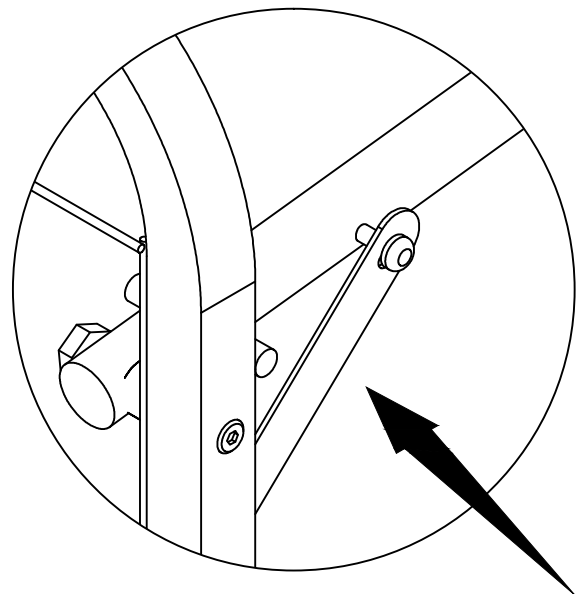
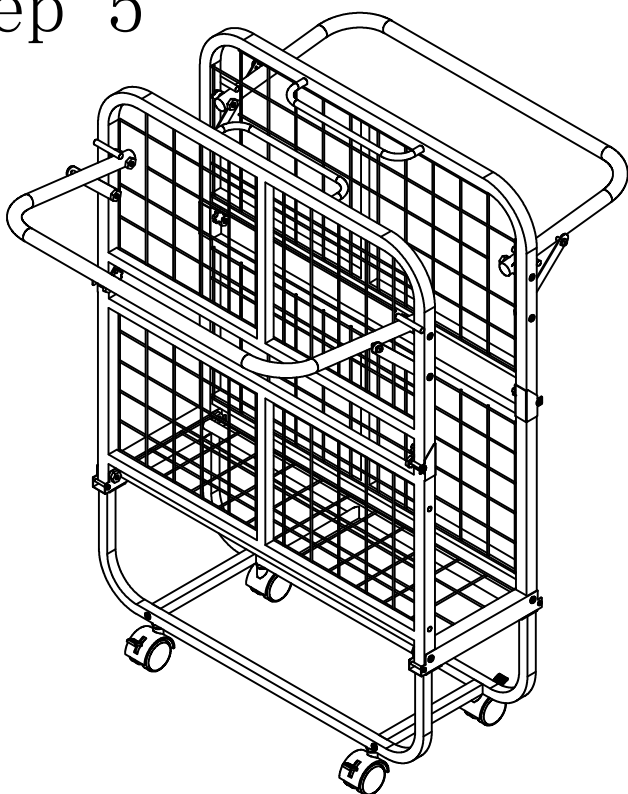
When installing part A, please insert it as far as it can, and tighten the screws as below enlarged image.



## Step 4 - (2)



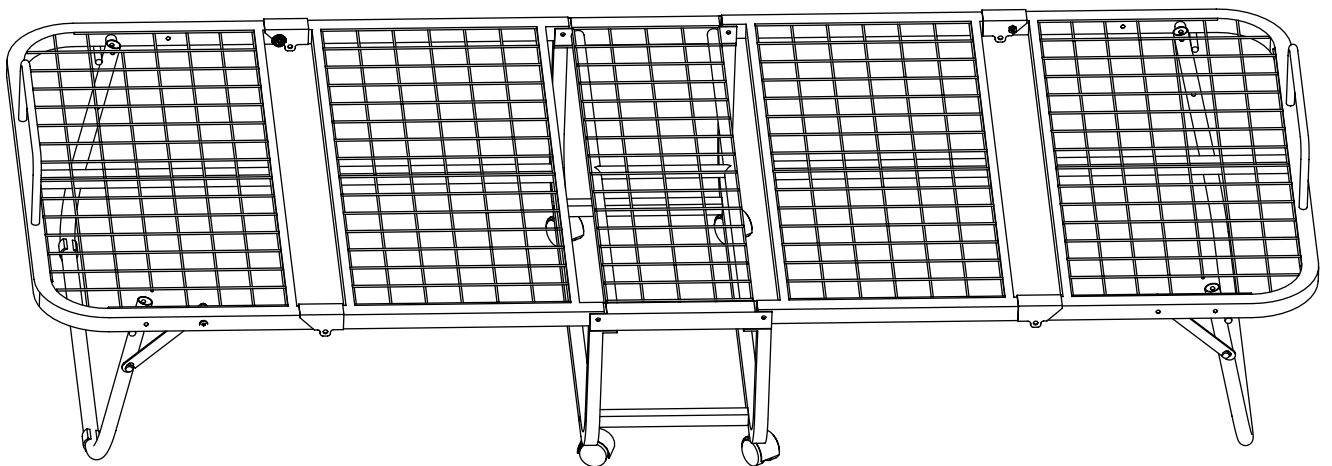
## Step 5



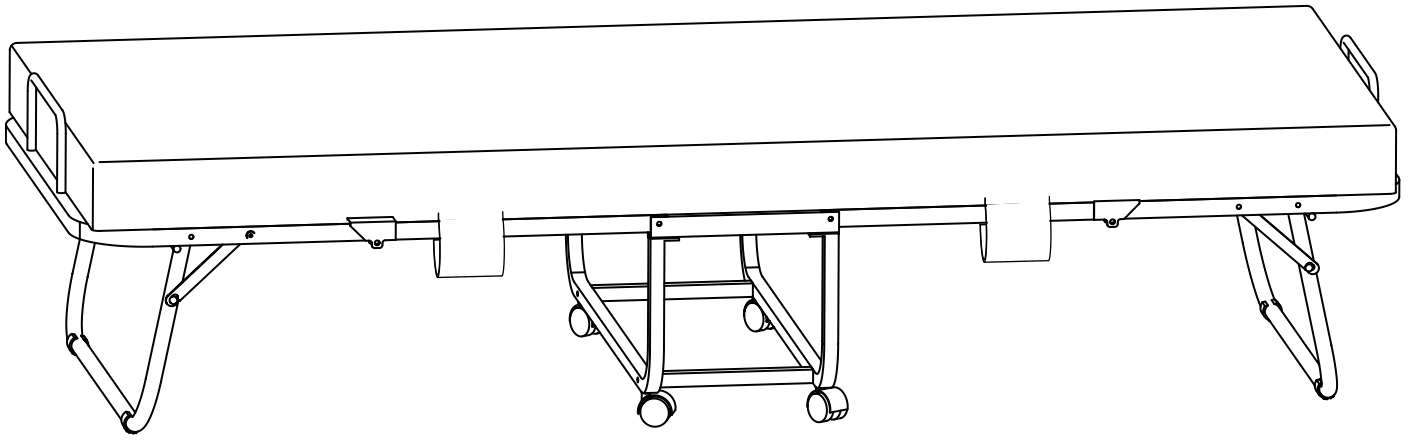
**⚠ CAUTION**

This step necessary.  
Otherwise it will cause component  
deformation.

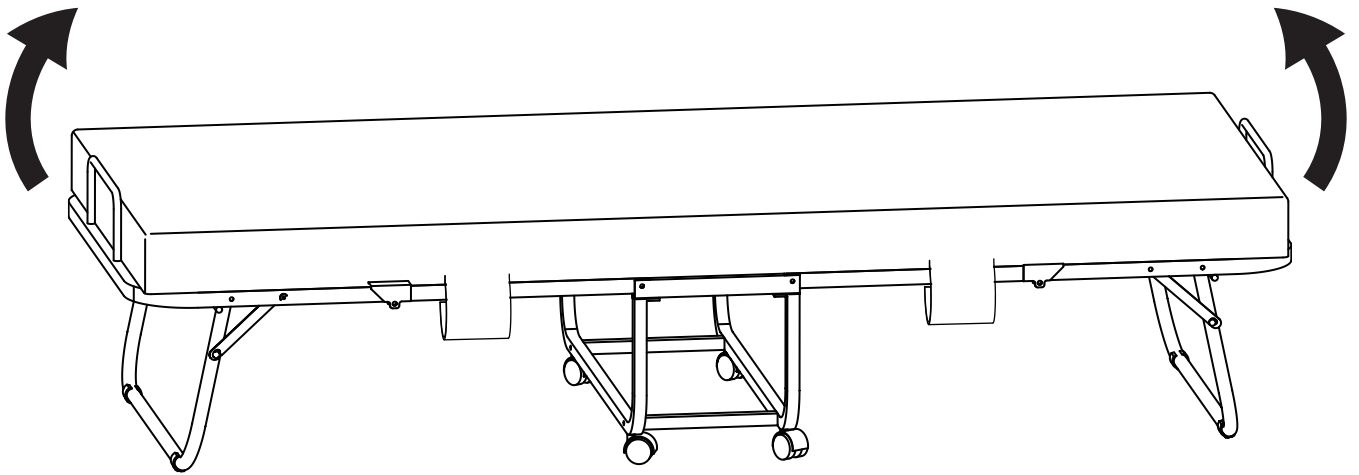
# Step 6



## Step 7



## Step 8



When moving the folding bed ,  
please do NOT pull the strap .

