

# ASSEMBLY INSTRUCTIONS

## LOFT BED WITH TABLE AND STAIR





# **SAFETY WARNING**



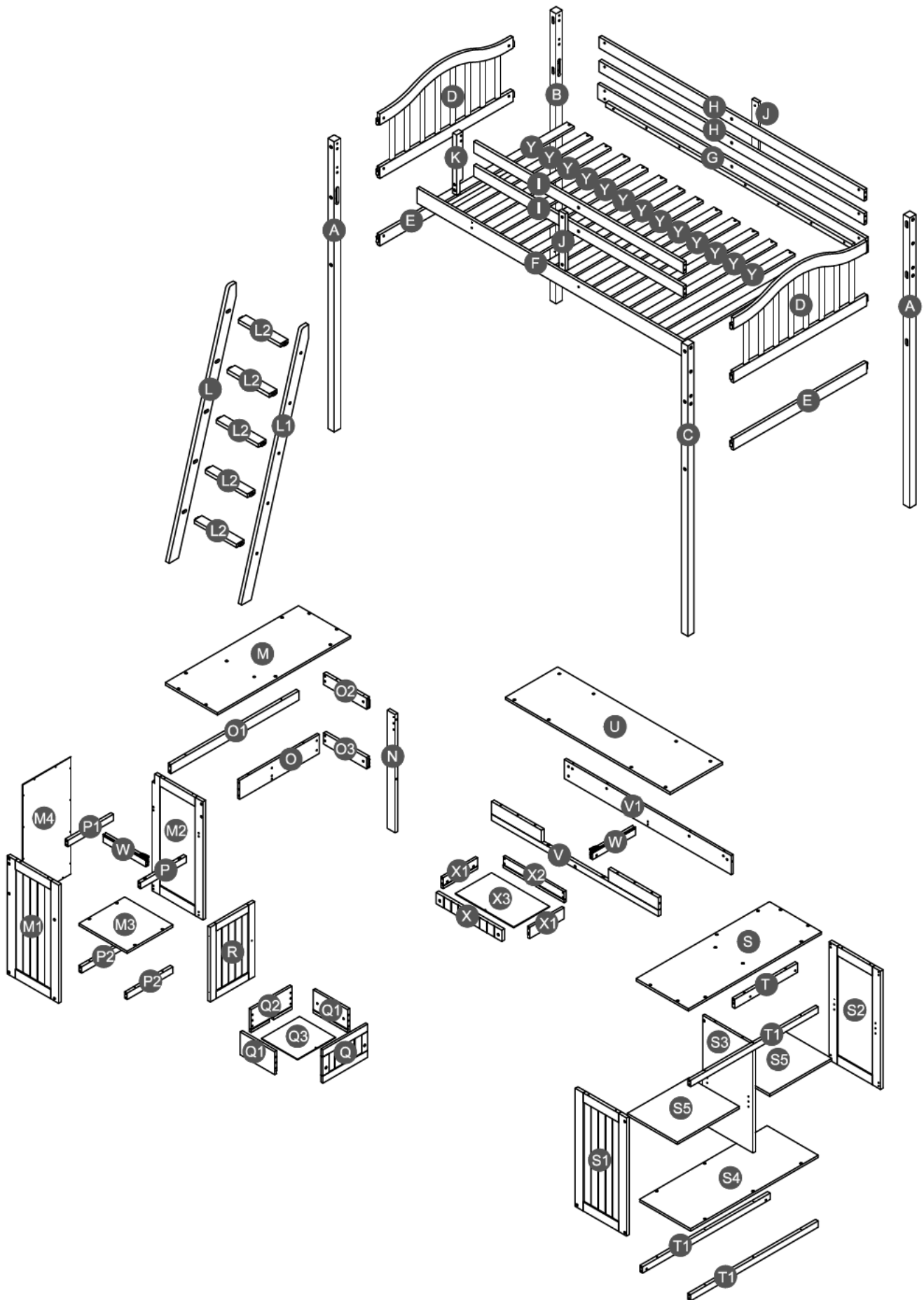
1. This bed is designed for use only mattress (es) meeting the following specifications on the loft bed:

Up bed (Loft bed and tribed included)









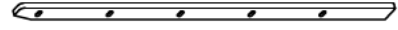
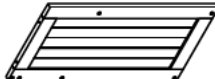





| Bed type      | Length  | Width   | Thickness |
|---------------|---------|---------|-----------|
| Twin Standard | 74"-75" | 38 1/2" | 6" max    |

2. Replacement parts, including additional guardrails, maybe obtained from any of our (GIGACLOUD TECHNOLOGY (USA) INC. 18961 ARENTH AVENUE, CITY OF INDUSTRY , CA, 91748.) dealers
3. Follow the information on the warnings appearing on the loft bed. end structure and on the carton. Do not remove warning label from bed.
4. Always use the recommended size mattresses or mattress supports, or both, to help prevent the likelihood of entrapment or falls.
5. Surface of mattress must be at least 5" (127mm) below the upper edge of guardrails.
6. Do not allow children under 6 years of age to use the loft bed.
7. Periodically check and ensure that the guardrail, ladder, and other components are in their proper position, free from damage, and that all connectors are tight.
8. Do not allow horseplay on or under the bed and prohibit jumping on the bed.
9. Always use the ladder for entering and leaving the loft bed.
10. Do not use substitute part. Contact the manufacture or dealer for replacement part.
11. Use of a night light may provide added safety precaution for a child using the loft bed.
12. Always use guardrails on both long sides of the loft bed. If the loft bed will be placed next to the wall, the guardrail that runs the full length of the bed should be placed against the wall to prevent entrapment between the bed and wall.
13. The use of water or sleep flotation mattresses is prohibited.
14. STRANGULATION HAZARD - Never attach or hang items to any part of the loft bed that are not designed for use with the bed; for example, but not limited to, hook, belts and jump ropes.
15. Keep these instruction for future reference.
16. Prohibit more than one person on upper bunk
17. We recommend assembling your bunk bed on the shipping carton to protect your floor or carpet.
18. Be certain all staples are out of the box before beginning assembly on the shipping carton.

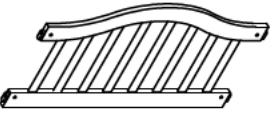



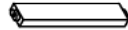
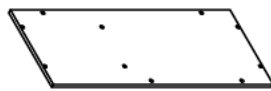
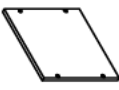


# Detail View



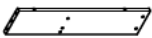



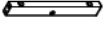


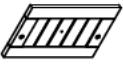



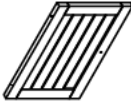







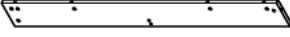

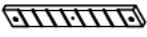



# Part List

|  |   |   |
|--|---|---|
| <b>A</b><br><br>Leg (Left Front / Right back ) - 2pcs | <b>B</b><br><br>Leg (Left back) - 1pc   | <b>C</b><br><br>Leg (Right Front ) - 1pc   |
| <b>E</b><br><br>Horizontal bar - 2pcs                 | <b>F</b><br><br>Side rail (front) - 1pc  | <b>G</b><br><br>Side rail (back) - 1pc     |
| <b>H</b><br><br>Long guard rail - 2pcs                | <b>L</b><br><br>Long ladder (left) - 1pc | <b>L1</b><br><br>Long ladder (right) - 1pc |
| <b>M1</b><br><br>Left side panel - 1pc                | <b>M2</b><br><br>Right side panel - 1pc  | <b>S1</b><br><br>Right side panel - 1pc    |
| <b>S2</b><br><br>Left side panel - 1pc              | <b>T1</b><br><br>Horizontal bar - 3pcs | <b>Y</b><br><br>Slat - 14pcs             |

## Hardware List WF296929

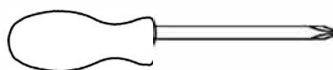
|  |  |   |
|--|--|---|
| <b>D</b><br><br>Frame HB/FB - 2pcs              | <b>I</b><br><br>Short guard rail - 2pcs | <b>J</b><br><br>Vertical guard rail - 2pcs |
| <b>K</b><br><br>Support guard rail (Left) - 1pc | <b>L2</b><br><br>Step ladder - 5pcs     | <b>M</b><br><br>Top panel - 1pc            |
| <b>M3</b><br><br>Bottom panel - 1pc             | <b>M4</b><br><br>Back panel - 2pcs      | <b>N</b><br><br>Short leg - 1pc            |

# Part List

|   |  |  |
|---|--|--|
| <p><b>O</b></p>  <p>Horizontal bar (Front) - 1pc</p>   | <p><b>O1</b></p>  <p>Horizontal bar (Back) - 1pc</p>        | <p><b>O2</b></p>  <p>Upper horizontal bar - 1pc</p>       |
| <p><b>O3</b></p>  <p>Lower horizontal bar - 1pc</p>    | <p><b>P</b></p>  <p>Horizontal bar (Front) - 1pc</p>        | <p><b>P1</b></p>  <p>Horizontal bar (Back) - 1pc</p>      |
| <p><b>P2</b></p>  <p>Lower horizontal bar - 2pcs</p>   | <p><b>Q</b></p>  <p>Front drawer panel - 1pc</p>            | <p><b>Q1</b></p>  <p>Left / right drawer panel - 2pcs</p> |
| <p><b>Q2</b></p>  <p>Back drawer panel - 1pc</p>       | <p><b>Q3</b></p>  <p>Drawer bottom - 1pc</p>                | <p><b>R</b></p>  <p>Door - 1pc</p>                        |
| <p><b>S</b></p>  <p>Top panel - 1pc</p>              | <p><b>S3</b></p>  <p>Divider panel - 1pc</p>              | <p><b>S4</b></p>  <p>Bottom panel - 1pc</p>             |
| <p><b>S5</b></p>  <p>Shelf panel - 2pcs</p>          | <p><b>T</b></p>  <p>Horizontal bar - 1pc</p>              | <p><b>U</b></p>  <p>Top panel - 1pc</p>                 |
| <p><b>V</b></p>  <p>Horizontal bar (Front) - 1pc</p> | <p><b>V1</b></p>  <p>Horizontal bar (Back) - 1pc</p>      | <p><b>W</b></p>  <p>Support drawer - 2pcs</p>           |
| <p><b>X</b></p>  <p>Front drawer panel - 1pc</p>     | <p><b>X1</b></p>  <p>Left / right drawer panel - 2pcs</p> | <p><b>X2</b></p>  <p>Back drawer panel - 1pc</p>        |
| <p><b>X3</b></p>  <p>Drawer bottom - 1pc</p>         |  |  |

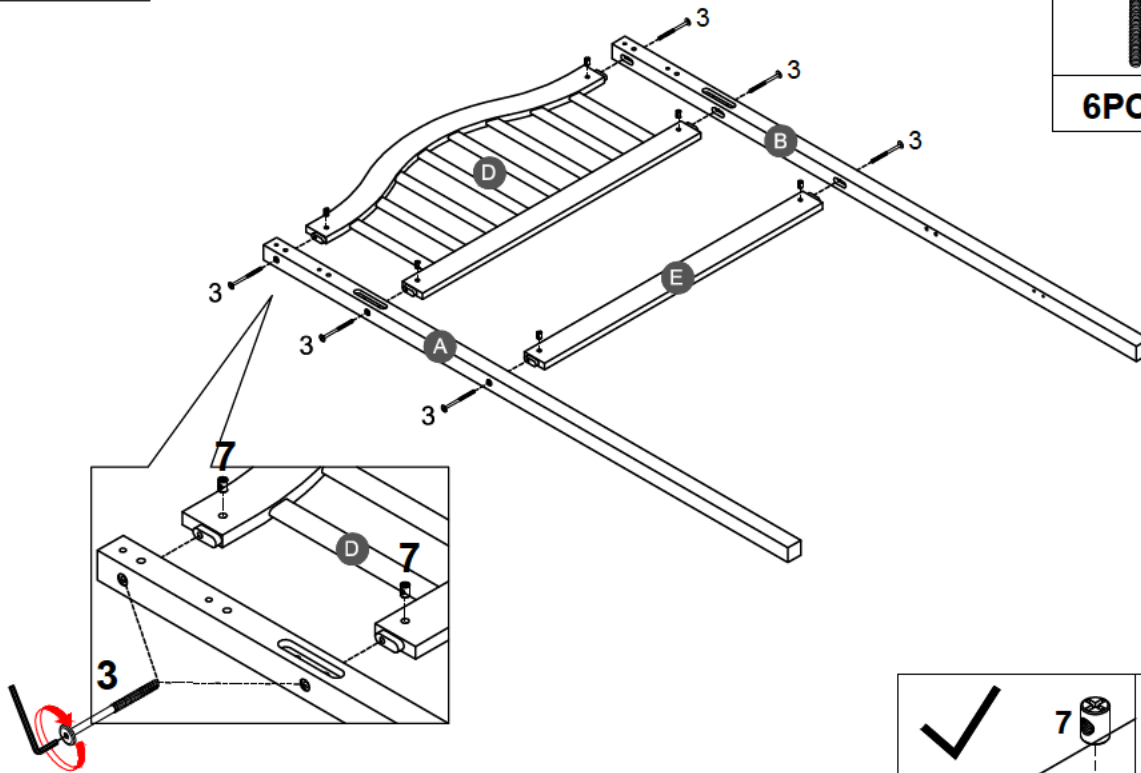
|  |  |  |
|--|--|--|
| <b>1</b><br><br>Ø8*30mm<br>Wood dowel (33pcs)                   | <b>2</b><br><br>(Ø15)1/4"*100mm<br>Hex-Head bolts (18pcs) | <b>3</b><br><br>(Ø15)1/4"*80mm<br>Hex-Head bolts (14pcs)  |
| <b>4</b><br><br>(Ø12)1/4"*60mm<br>Hex-Head bolts (52pcs)        | <b>5</b><br><br>(Ø12)1/4"*35mm<br>Hex-Head bolts (2pcs)   | <b>6</b><br><br>(Ø12)1/4"*30mm<br>Hex-Head bolts (6pcs)   |
| <b>7</b><br><br>1/4"*15 (9.5mm)<br>Horizontal-Hole bolts(84pcs) | <b>8</b><br><br>(Ø12)1/4"*40mm<br>Hex-Head bolts (40pcs)  | <b>9</b><br><br>(1/4")4.5*58mm<br>Allen key (1pc)         |
| <b>10</b><br><br>Ø10*40mm<br>Wood dowel (8pcs)                  | <b>11</b><br><br>Ø3.5*15mm<br>Wood screws (12pcs)         | <b>12</b><br><br>Ø4*30mm<br>Wood screws (28pcs)           |
| <b>13</b><br><br>81*26*21*(2.5mm)<br>Hooks (2pcs)              | <b>14</b><br><br>Ø4*19mm<br>Wood screws (6pcs)          | <b>15</b><br><br>266*30mm<br>Upper slider drawer (2pcs) |
| <b>16</b><br><br>Ø3.5*15mm<br>Wood screws (40pcs)             | <b>17</b><br><br>70*37*28mm<br>Metal bracket (2pcs)     | <b>18</b><br><br>45*17*13mm<br>Door catch (1pc)         |
| <b>19</b><br><br>42*12*1mm<br>Metal magnet (1pc)              | <b>20</b><br><br>29*16*14mm<br>Shelf pin (8pcs)         | <b>21</b><br><br>40*17*17*1.6mm<br>Metal bracket (4pcs) |
| <b>22</b><br><br>Ø38*31mm<br>Wood knob (3pcs)                 | <b>23</b><br><br>3/16*30mm<br>Hex-Head bolts (3pcs)     |  |



### ASSEMBLY TOOLS REQUIRED ( NOT INCLUDED )



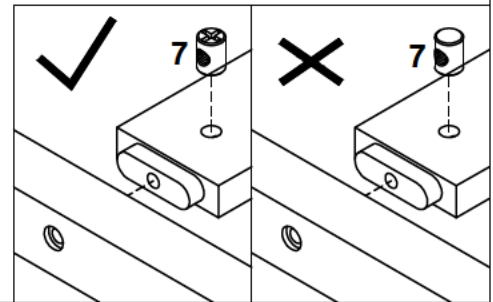
PLEASE BE CAREFUL DO NOT DAMAGE THE HOLE POSITION WHEN YOU USE POWER TOOLS !

## STEP 1:

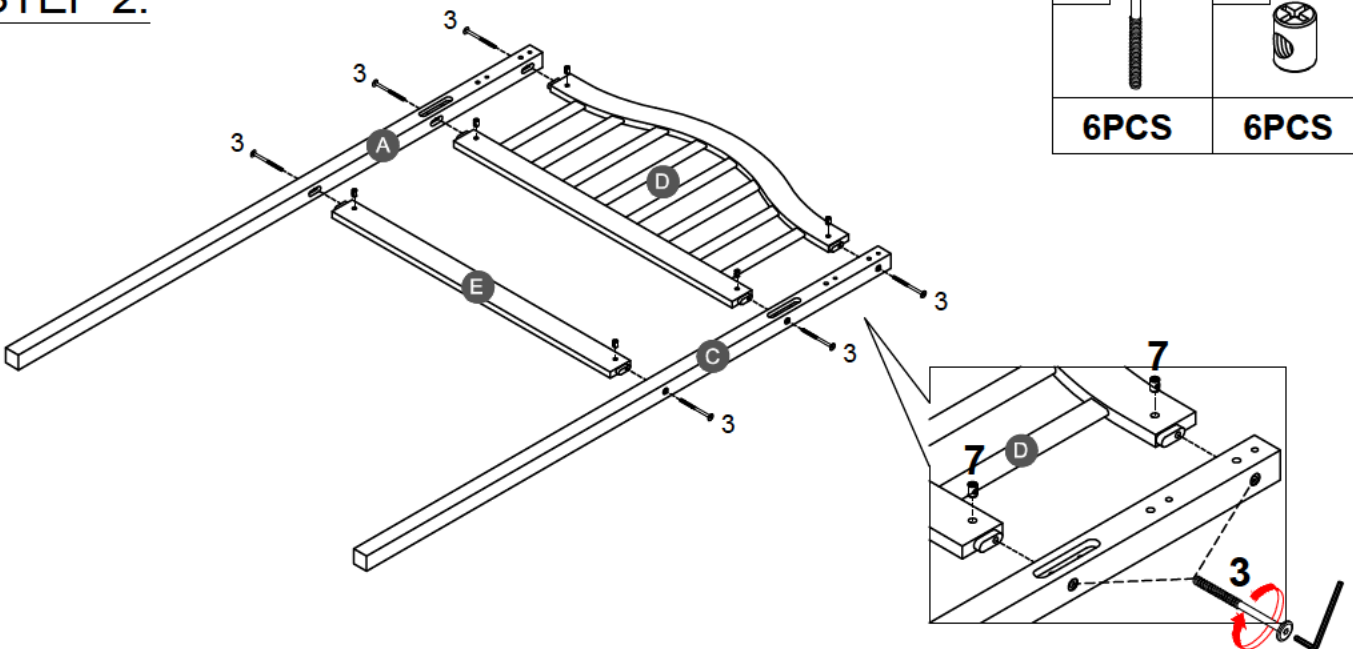




|  |   |
|--|---|
| 3  | 7   |
|  |  |
| 6PCS   | 6PCS  |

Note: Part 7 will face up with the "x" mark on it, otherwise it cannot be tightened

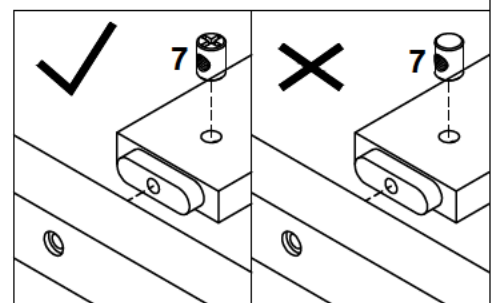


## STEP 2:

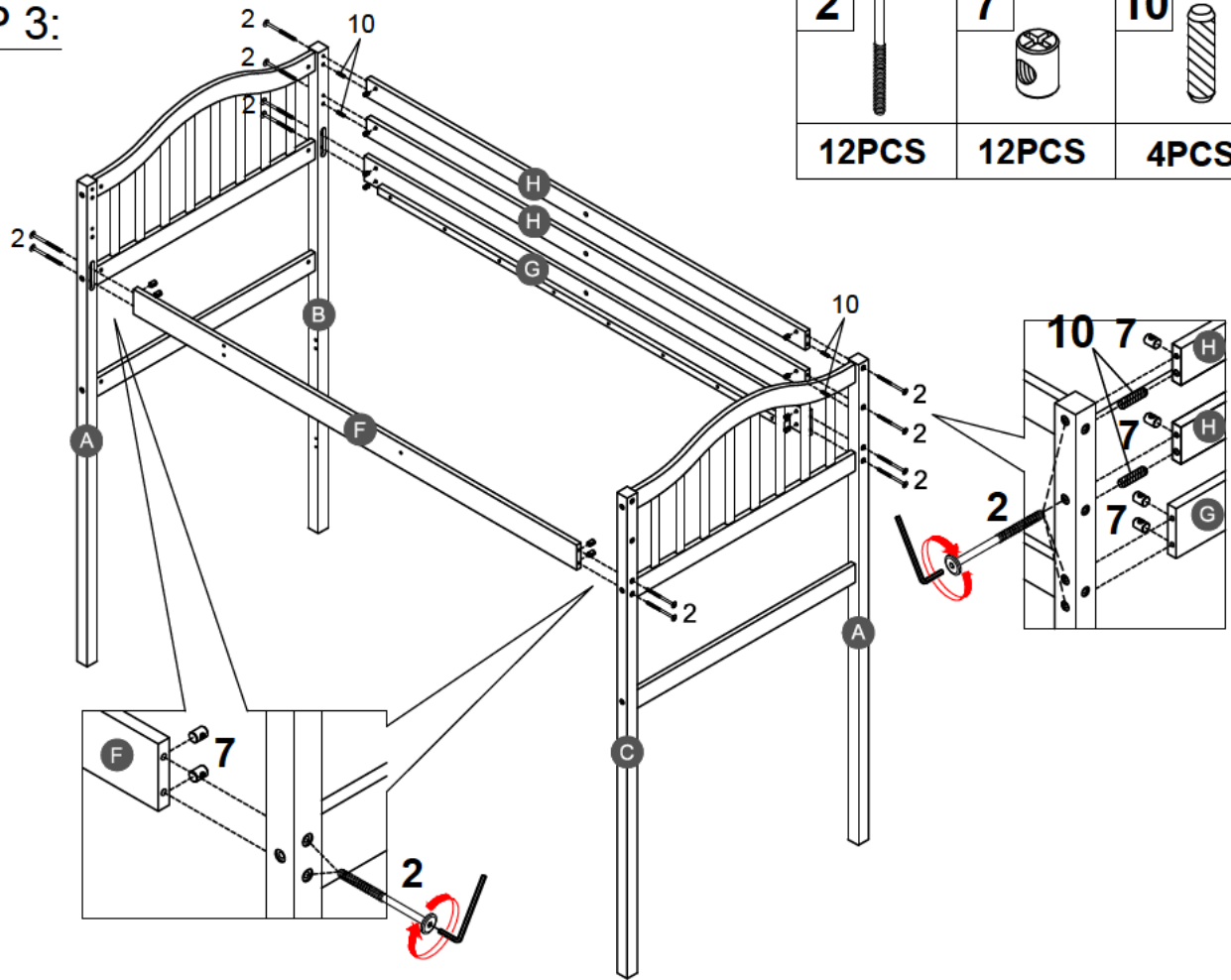


|   |   |
|---|---|
| 3   | 7   |
|  |  |
| 6PCS  | 6PCS  |

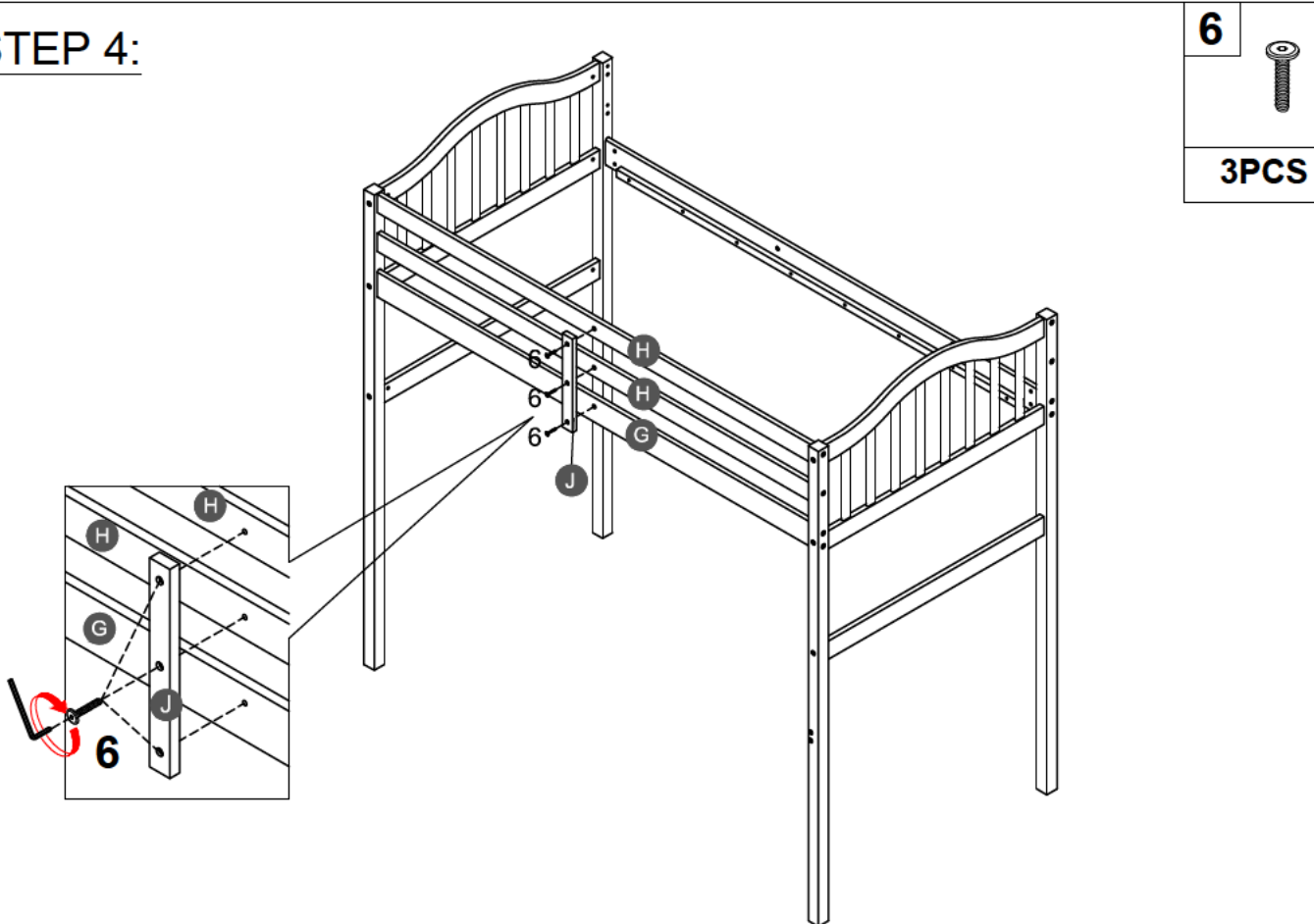
Note: Part 7 will face up with the "x" mark on it, otherwise it cannot be tightened







### STEP 3:





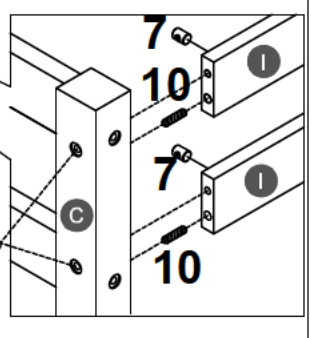
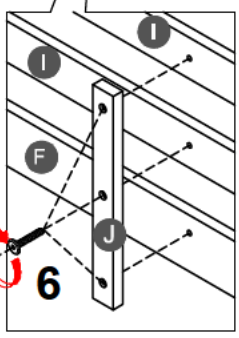
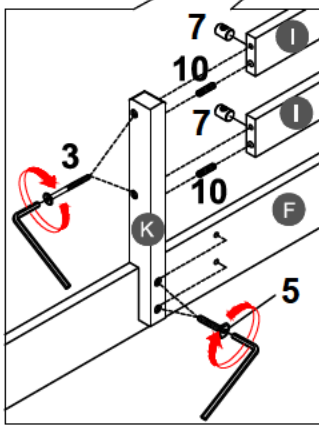
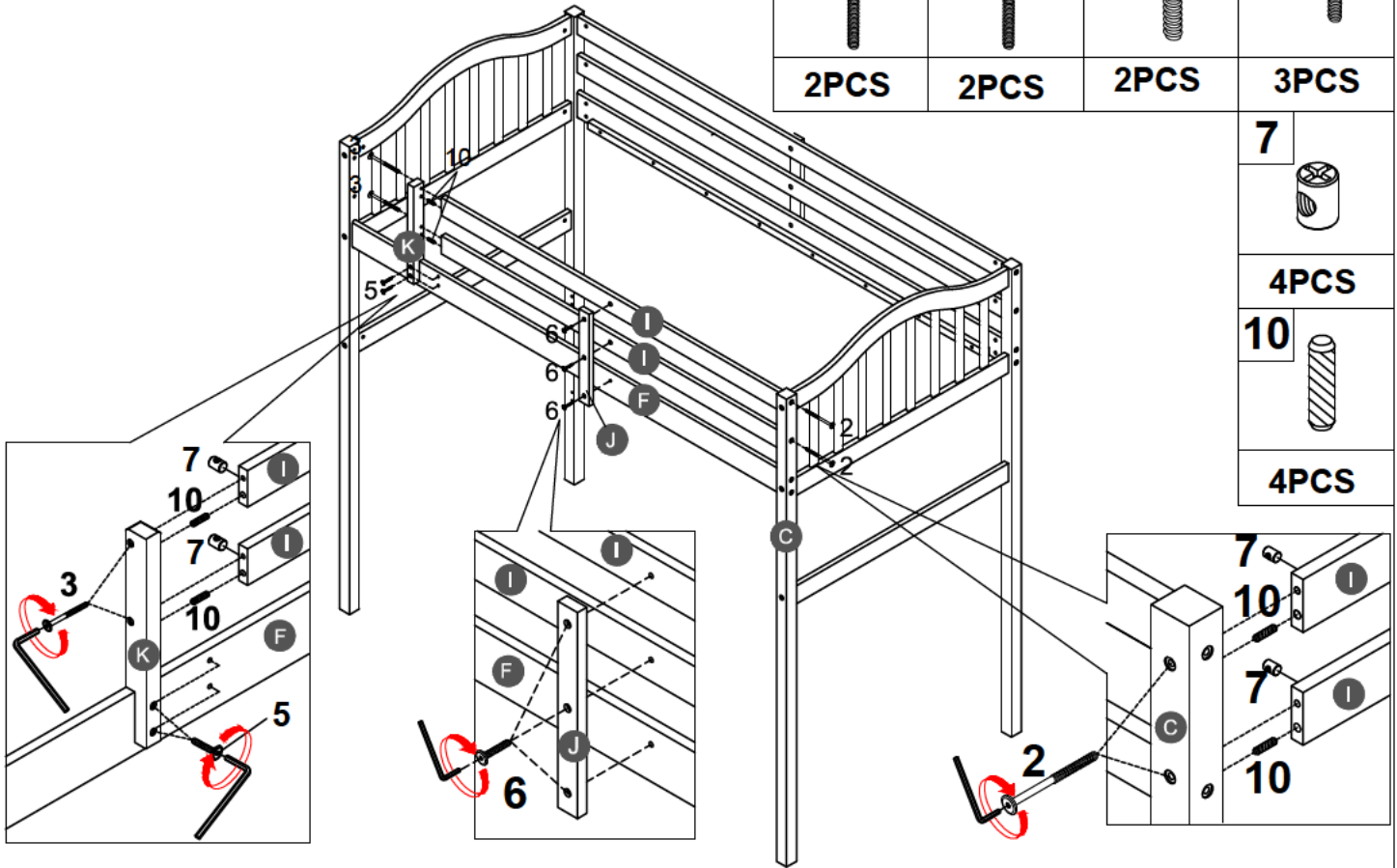
### STEP 4:




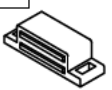
### STEP 5:

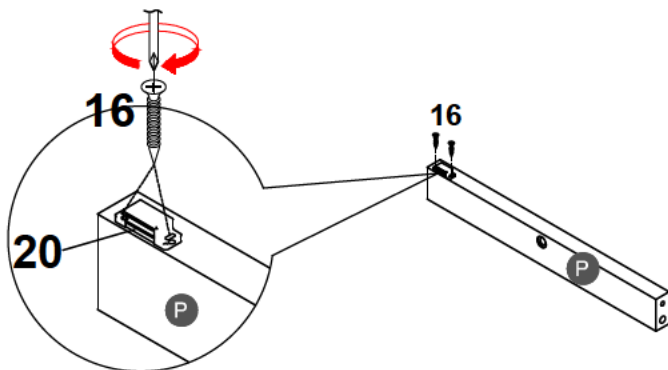
|      |  |      |  |      |   |      |   |
|------|--|------|--|------|---|------|---|
| 2    |  | 3    |  | 5    |  | 6    |  |
| 2PCS |  | 2PCS |  | 2PCS |   | 3PCS |   |

|      |   |
|------|---|
| 7    |  |
| 4PCS |   |
| 10   |  |
| 4PCS |   |





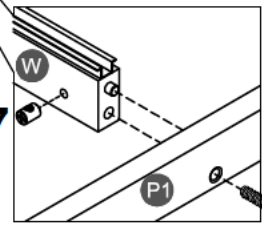
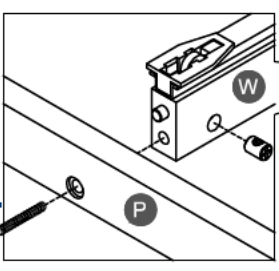
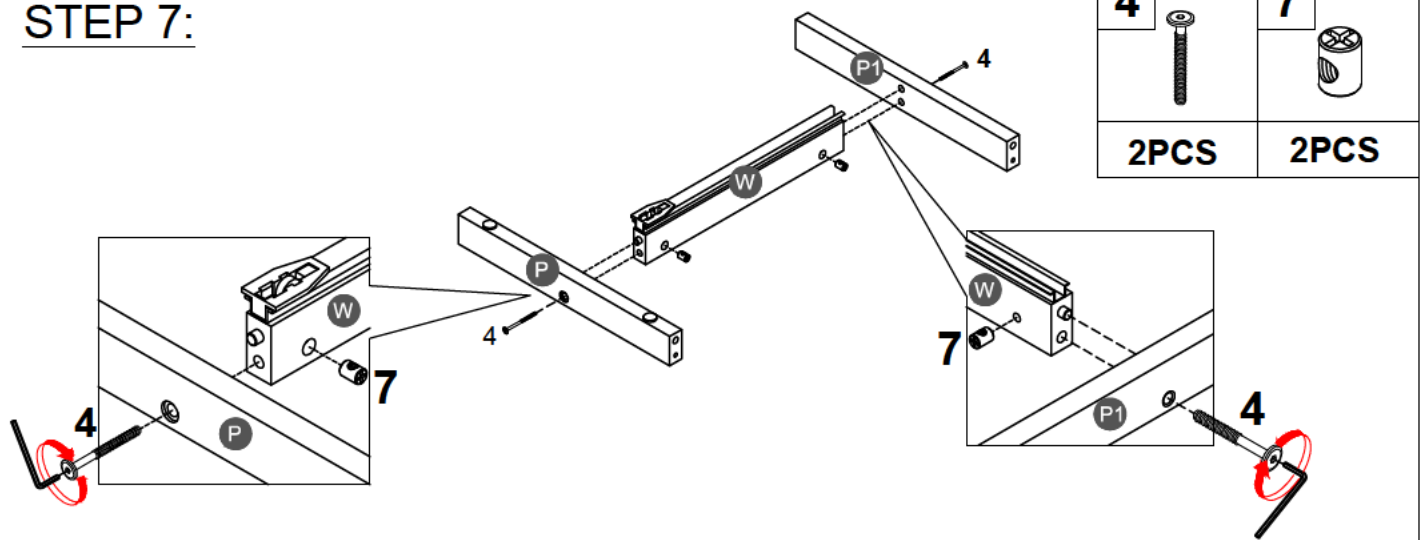
### STEP 6:

|      |   |     |   |
|------|---|-----|---|
| 16   |  | 18  |  |
| 2PCS |   | 1PC |   |

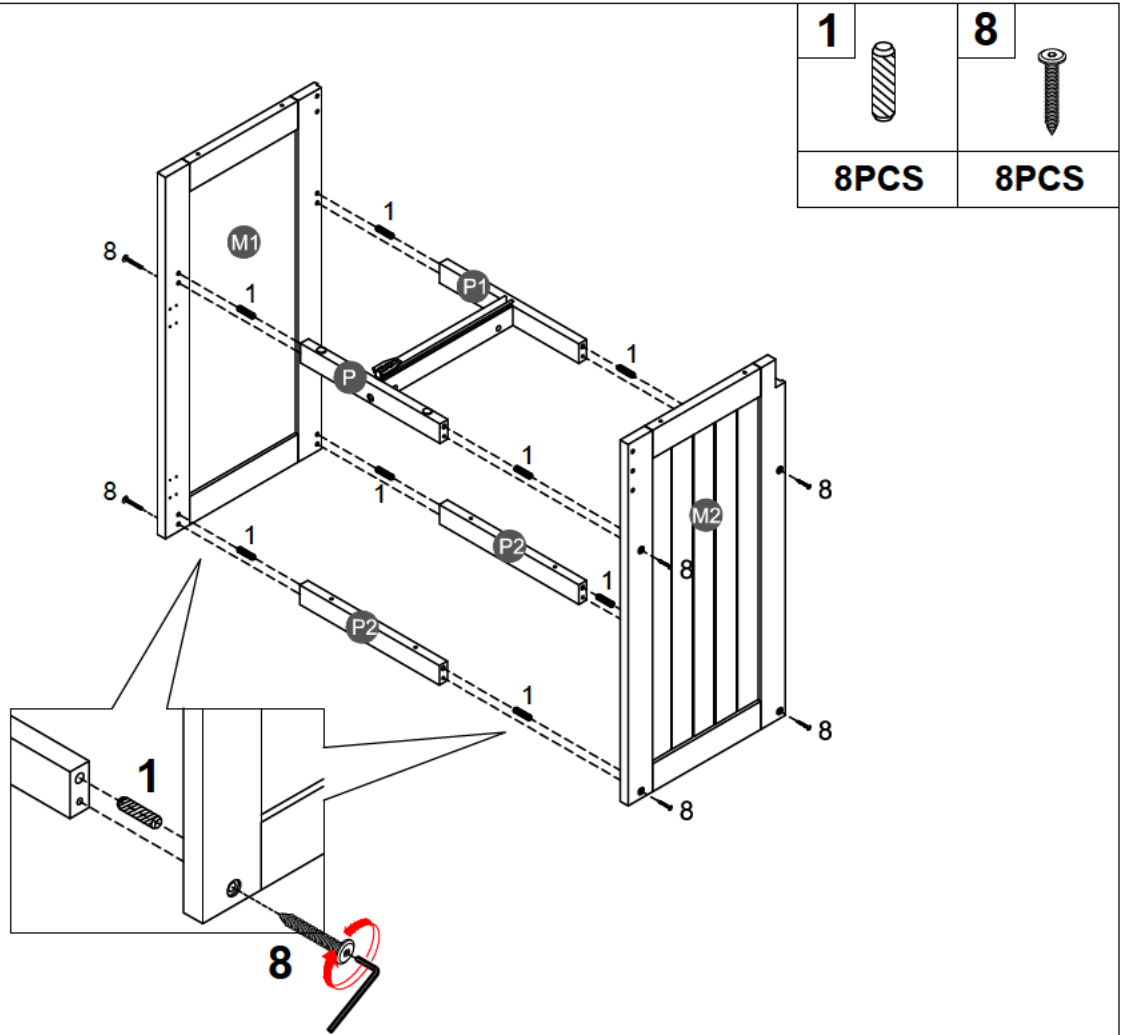


### STEP 7:

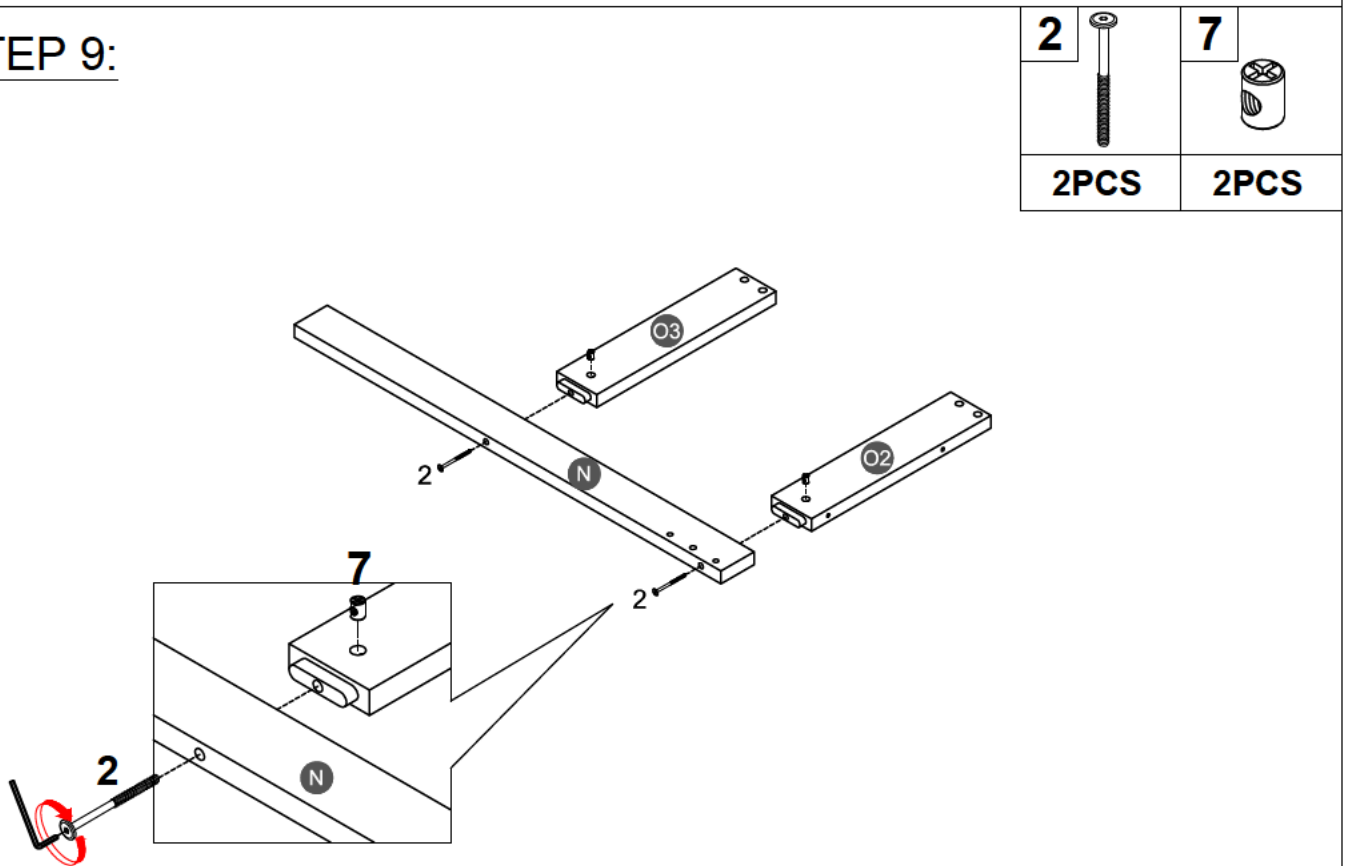
|      |   |      |   |
|------|---|------|---|
| 4    |  | 7    |  |
| 2PCS |   | 2PCS |   |



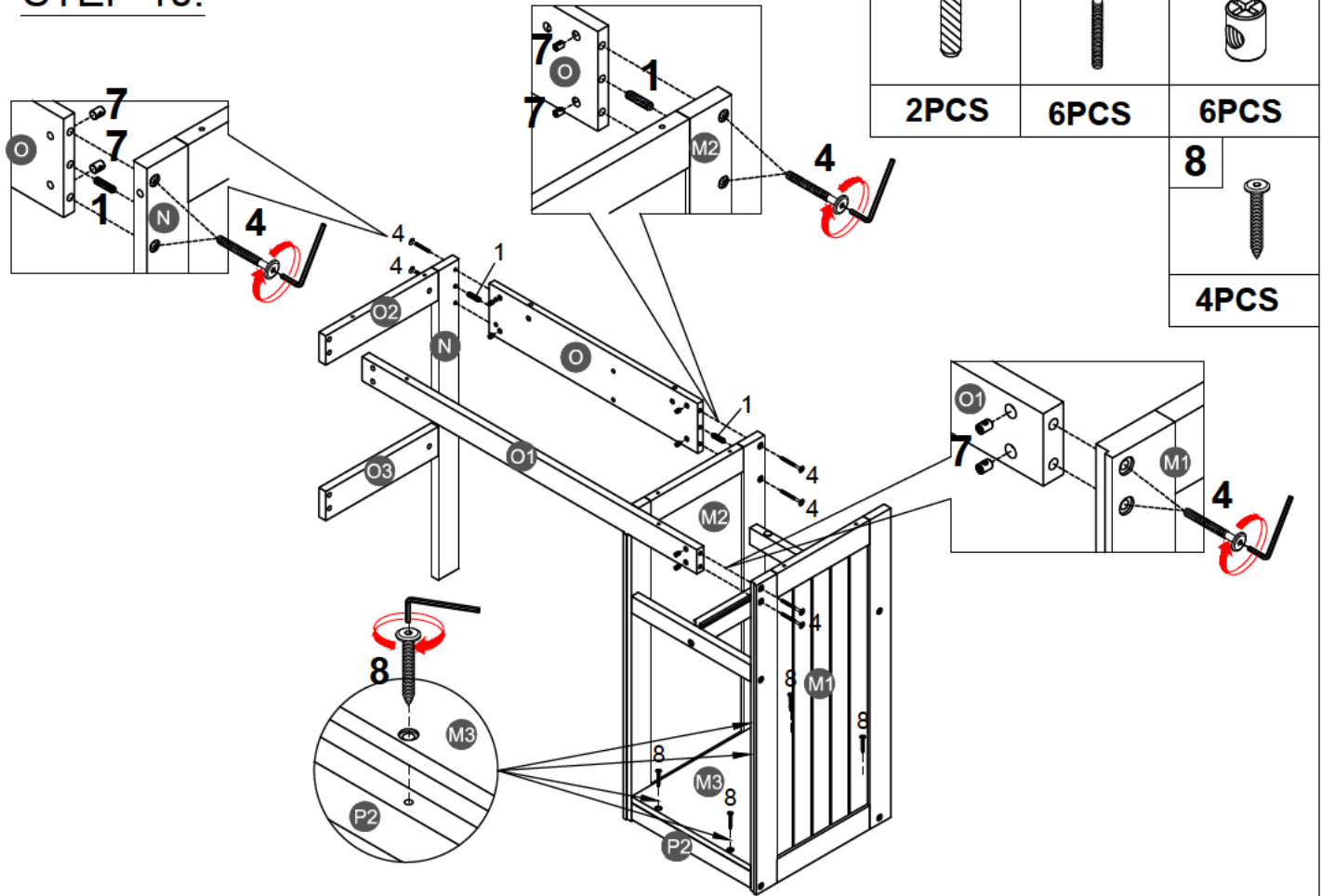
### STEP 8:



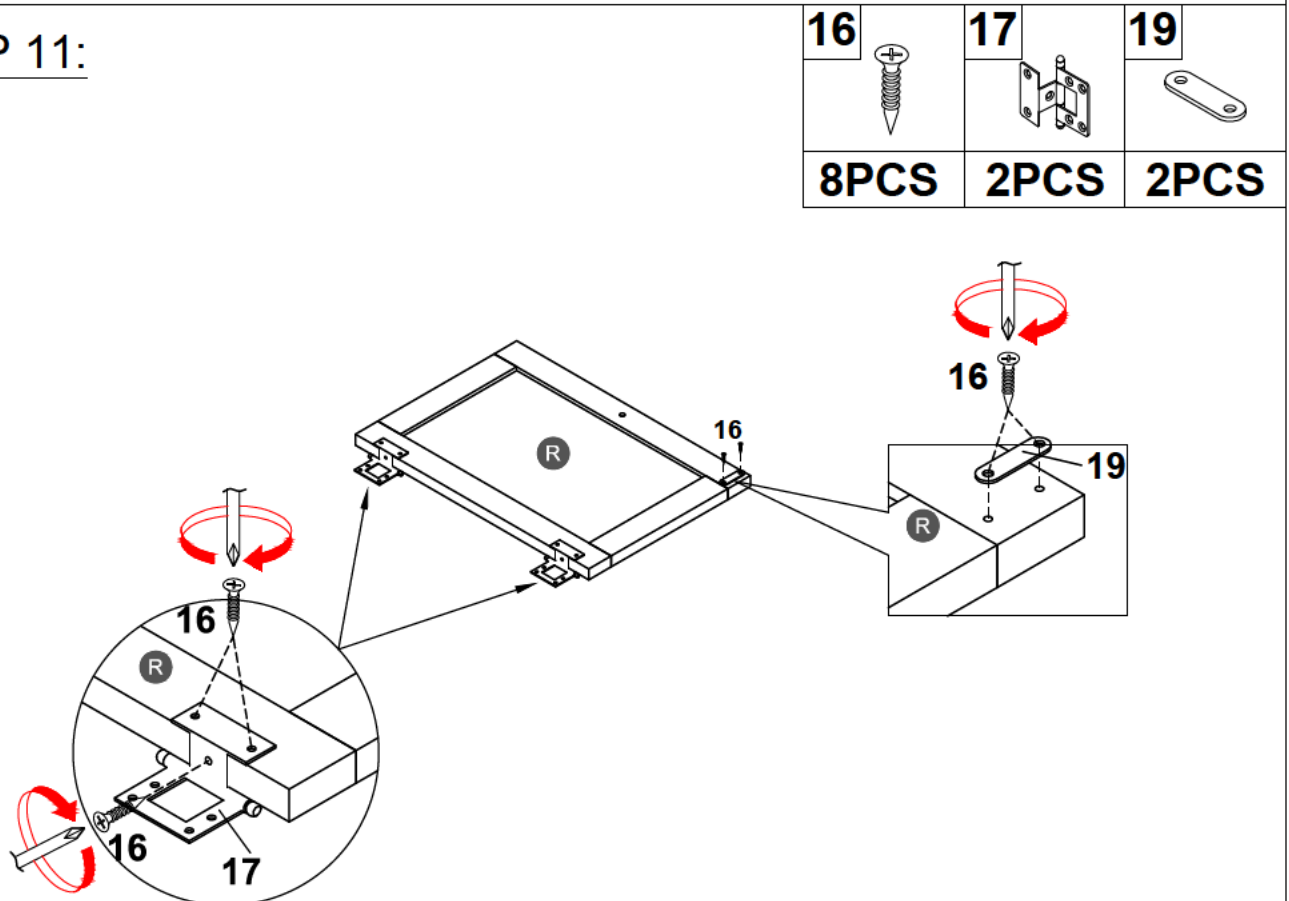
### STEP 9:






### STEP 10:

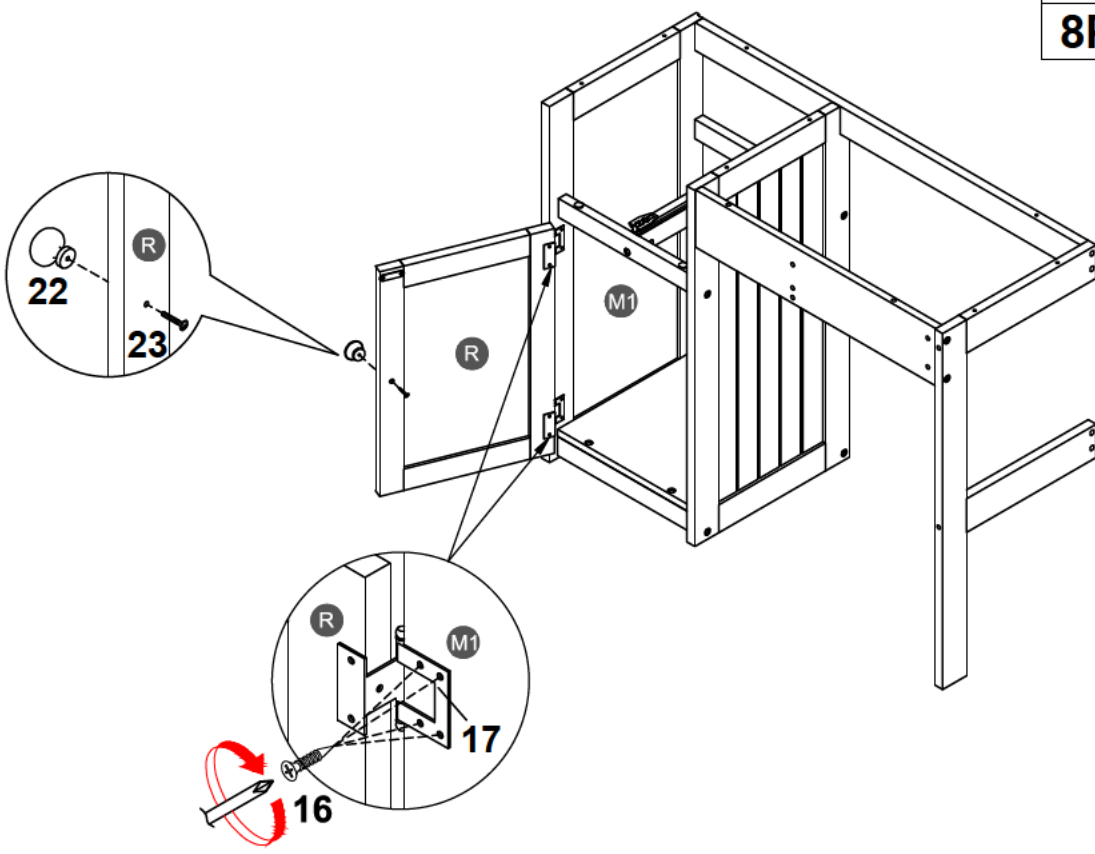


### STEP 11:






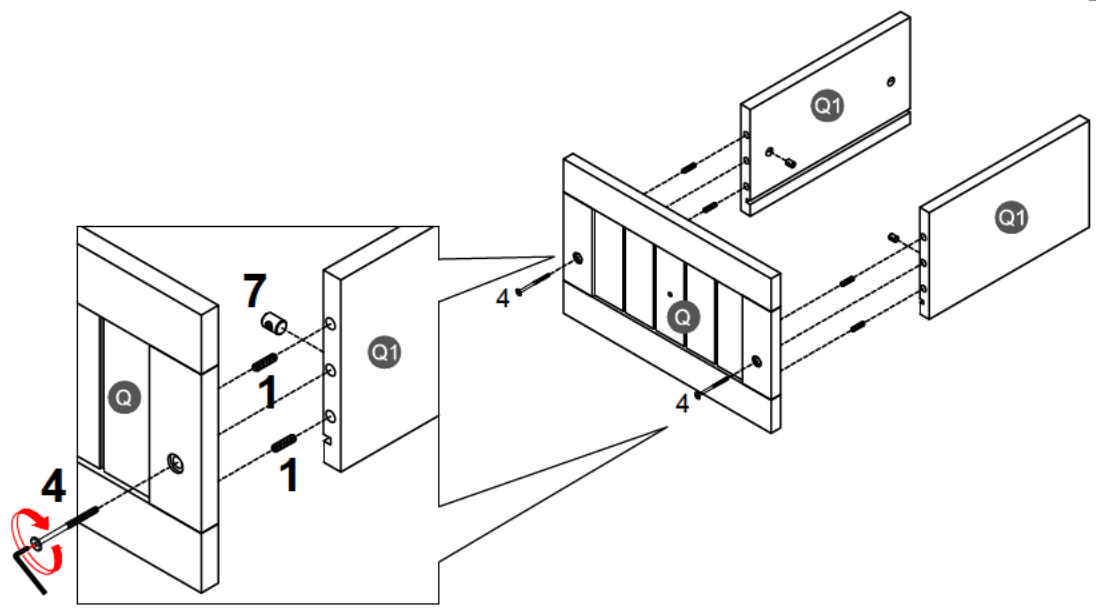
# STEP 12:

|             |   |            |   |
|-------------|---|------------|---|
| <b>16</b>   |  | <b>22</b>  |  |
| <b>8PCS</b> |   | <b>1PC</b> |   |
|             |   | <b>23</b>  |  |
|             |   | <b>1PC</b> |   |

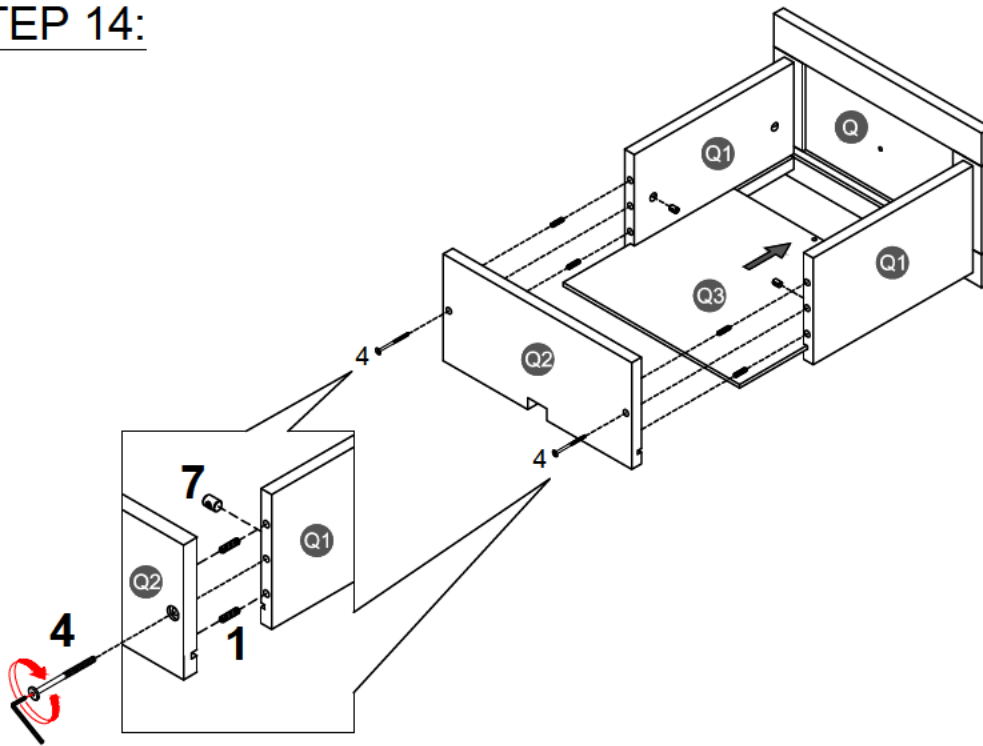





# STEP 13:

|             |   |             |   |
|-------------|---|-------------|---|
| <b>1</b>    |  | <b>4</b>    |  |
| <b>4PCS</b> |   | <b>2PCS</b> |   |
|             |   | <b>7</b>    |  |
|             |   | <b>2PCS</b> |   |

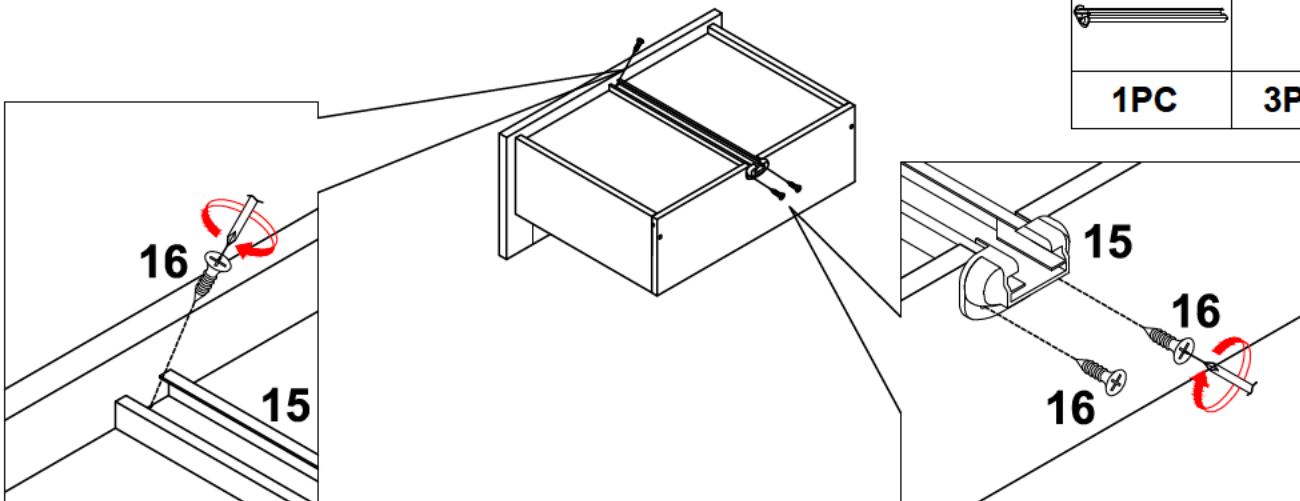




**STEP 14:**



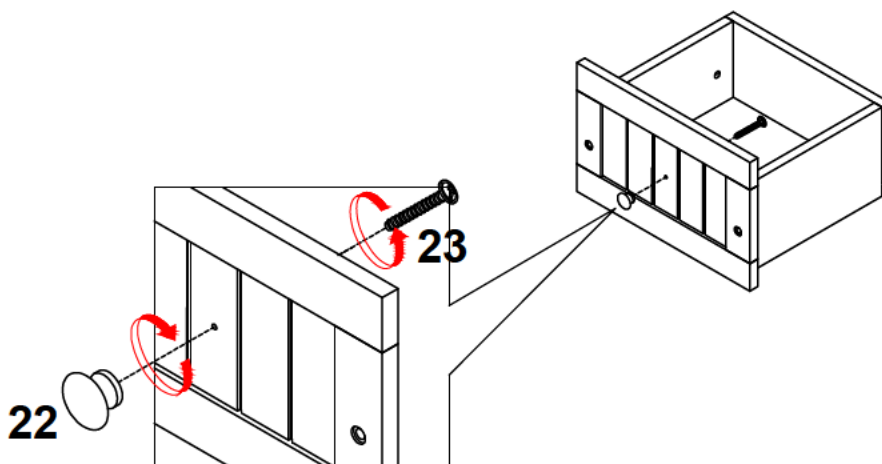
|             |   |             |   |
|-------------|---|-------------|---|
| <b>1</b>    |  | <b>4</b>    |  |
| <b>4PCS</b> |   | <b>2PCS</b> |   |
|             |   | <b>7</b>    |  |
|             |   | <b>2PCS</b> |   |



**STEP 15:**



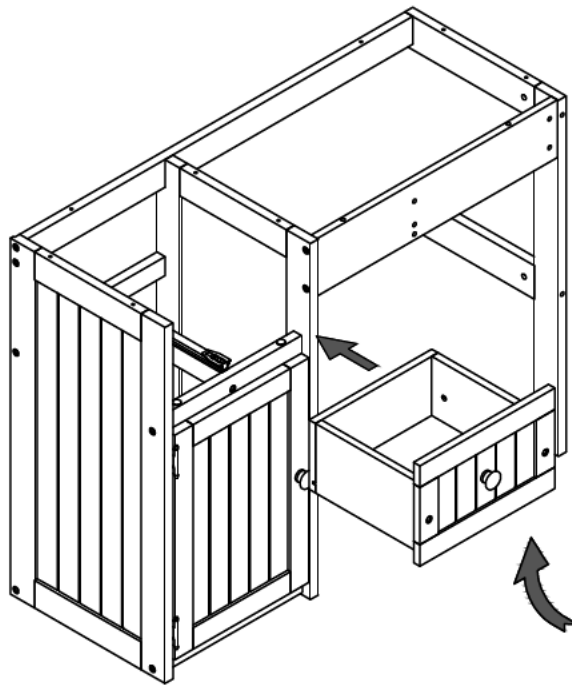
|            |  |             |   |
|------------|--|-------------|---|
| <b>15</b>  |  | <b>16</b>   |  |
| <b>1PC</b> |  | <b>3PCS</b> |   |

**STEP 16:**

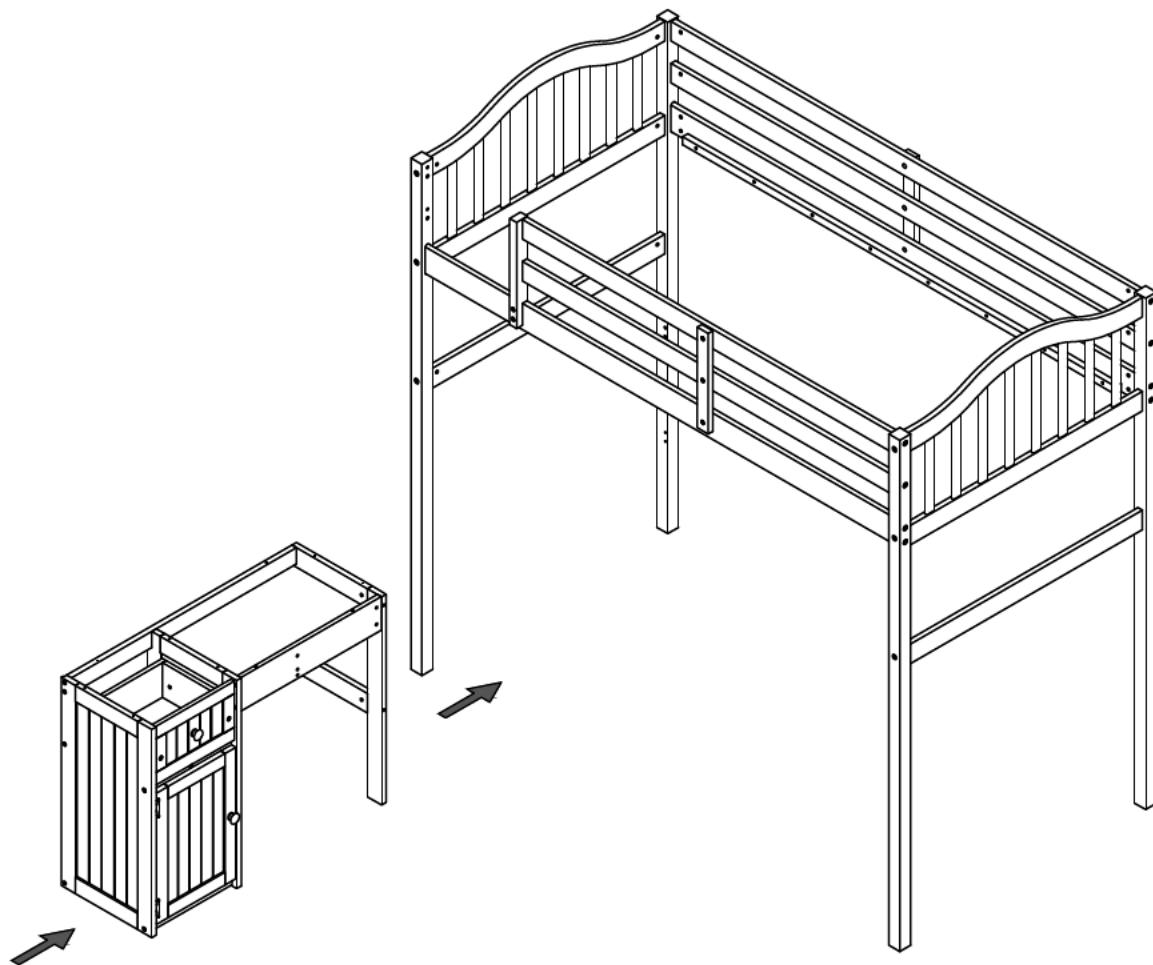


|            |   |            |   |
|------------|---|------------|---|
| <b>22</b>  |  | <b>23</b>  |  |
| <b>1PC</b> |   | <b>1PC</b> |   |

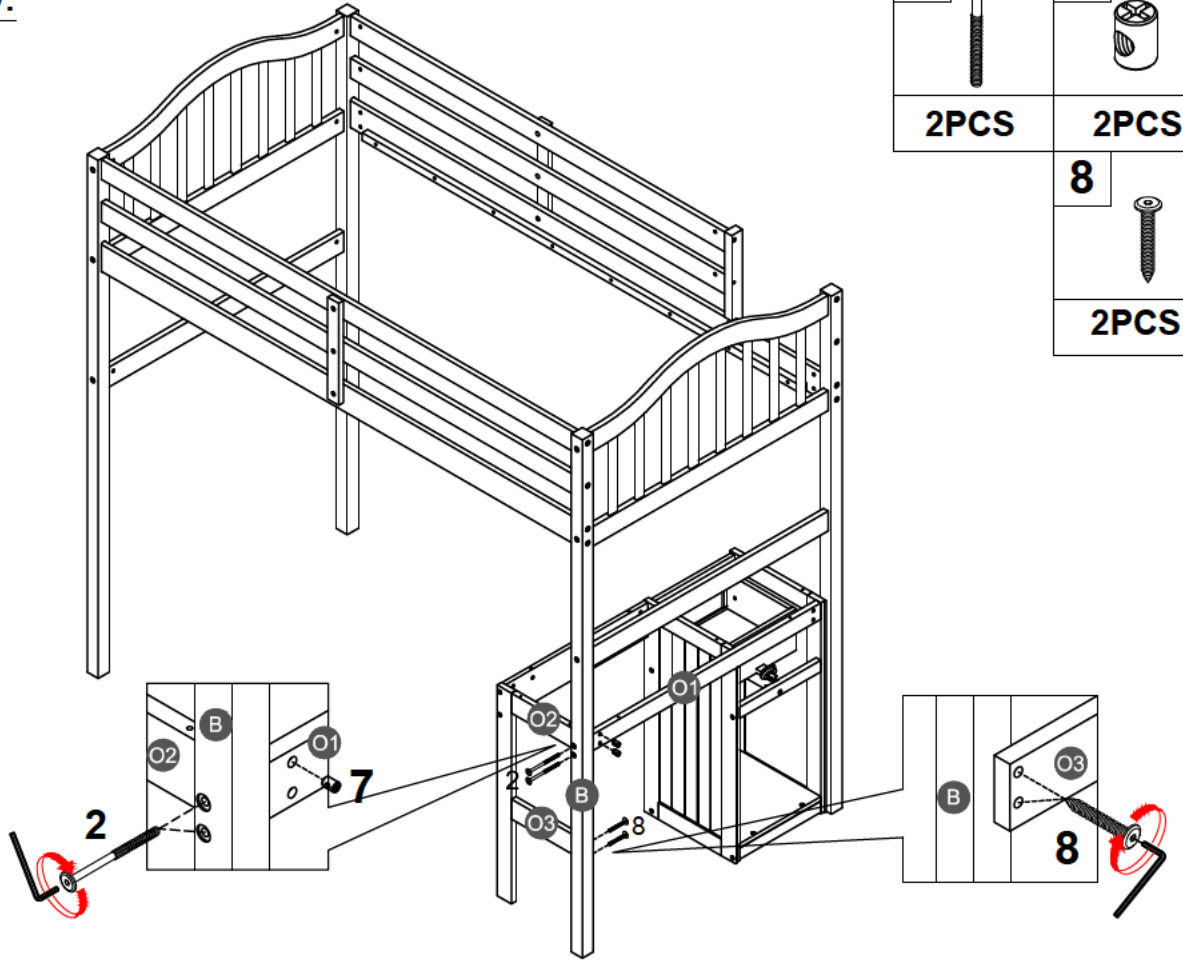
**STEP 17:**



**STEP 18:**

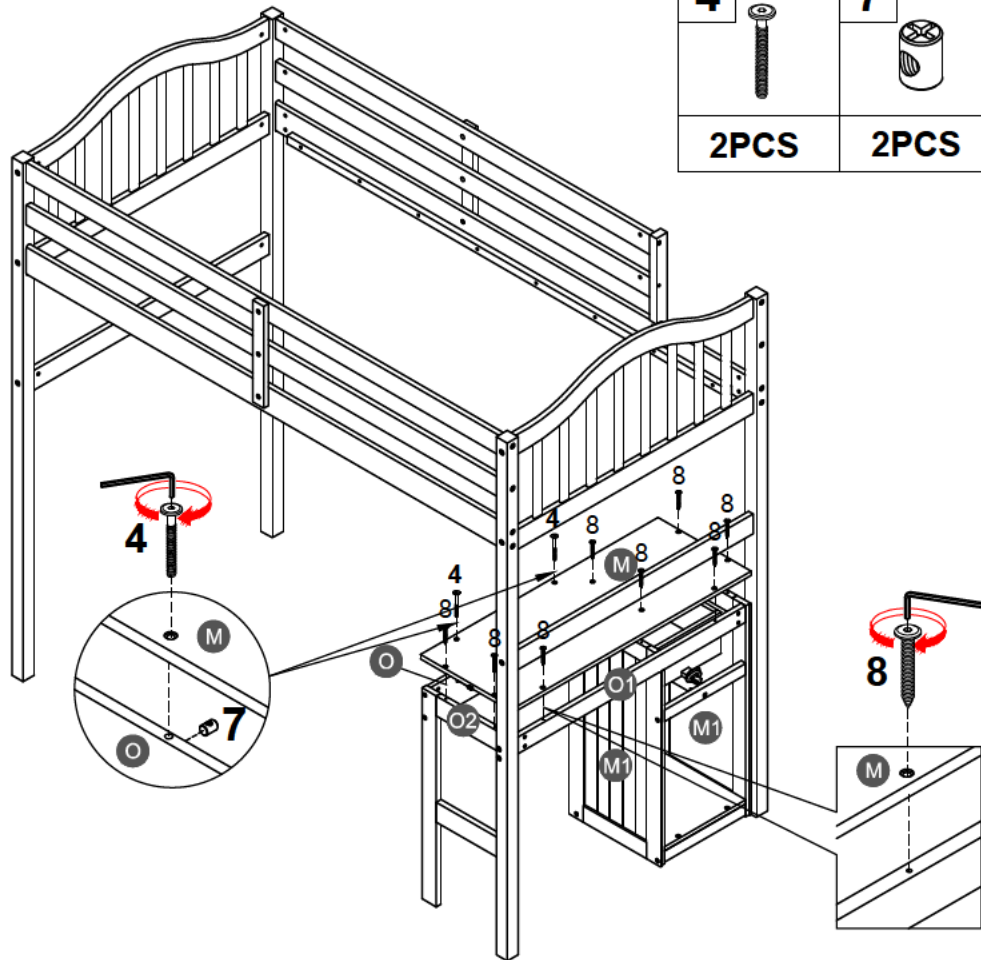


# STEP 19:



|             |  |             |  |
|-------------|--|-------------|--|
| <b>2</b>    |  | <b>7</b>    |  |
| <b>2PCS</b> |  | <b>2PCS</b> |  |
|             |  | <b>8</b>    |  |
| <b>2PCS</b> |  |             |  |

# STEP 20:



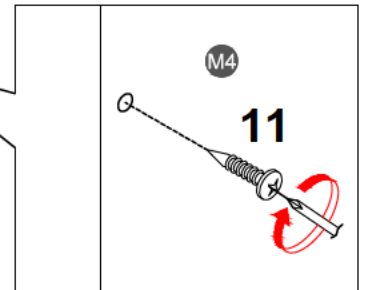
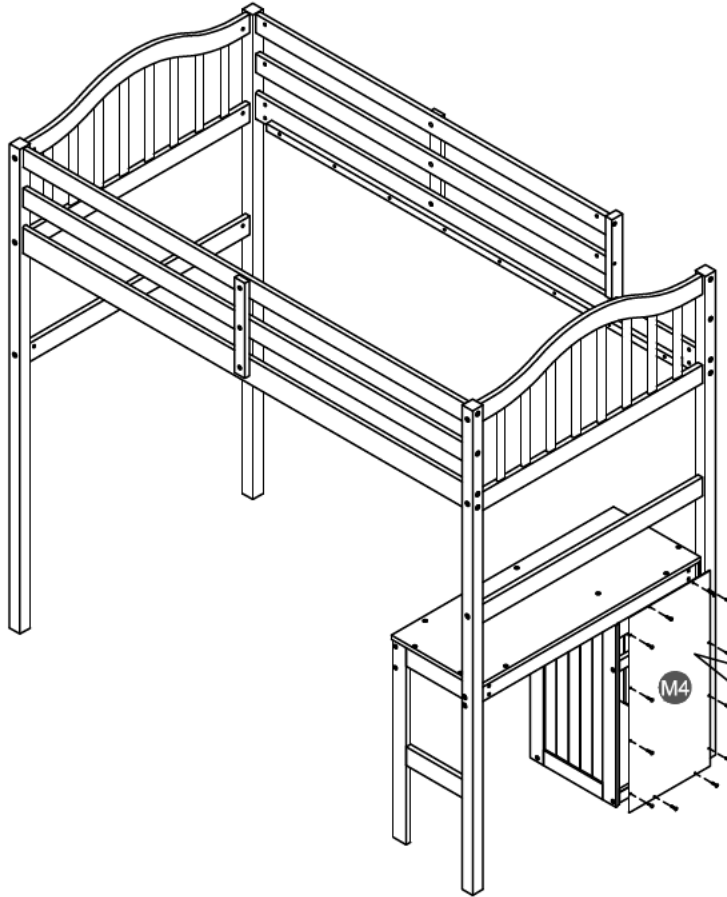
|             |  |             |  |             |  |
|-------------|--|-------------|--|-------------|--|
| <b>4</b>    |  | <b>7</b>    |  | <b>8</b>    |  |
| <b>2PCS</b> |  | <b>2PCS</b> |  | <b>8PCS</b> |  |

**STEP 21:**

**11**



**12PCS**

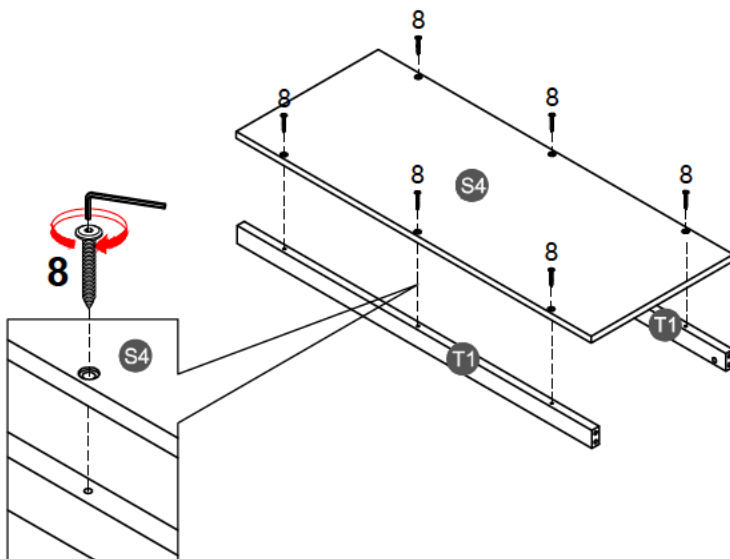


**STEP 22:**

**8**

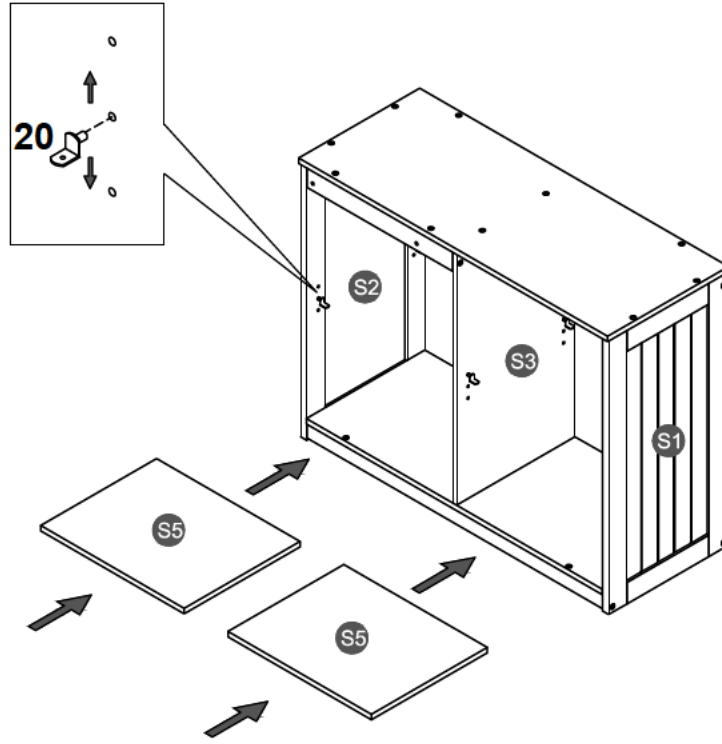


**6PCS**





**STEP 25:**

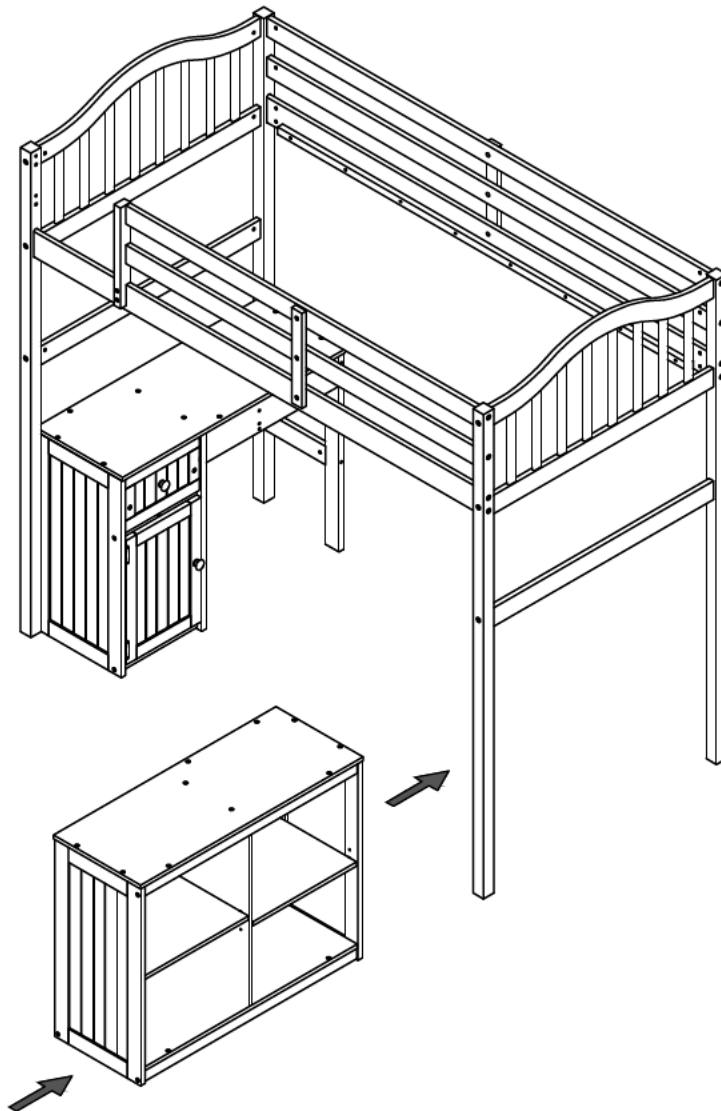


**20**

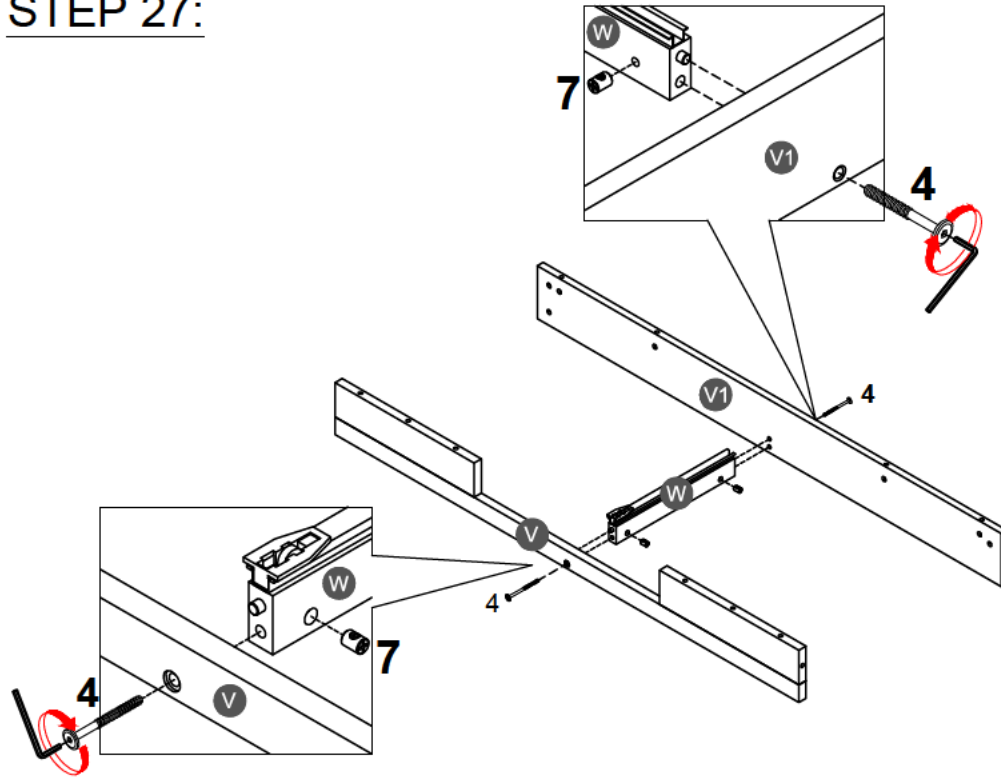




**8PCS**

**STEP 26:**

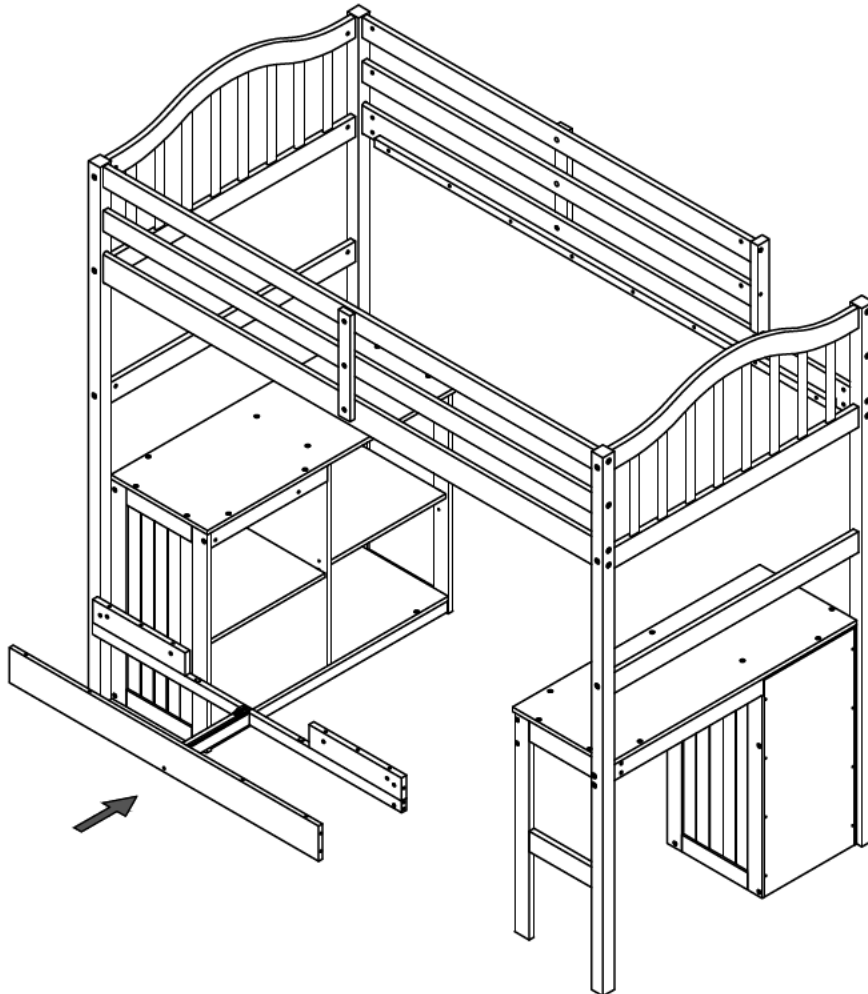


## STEP 27:






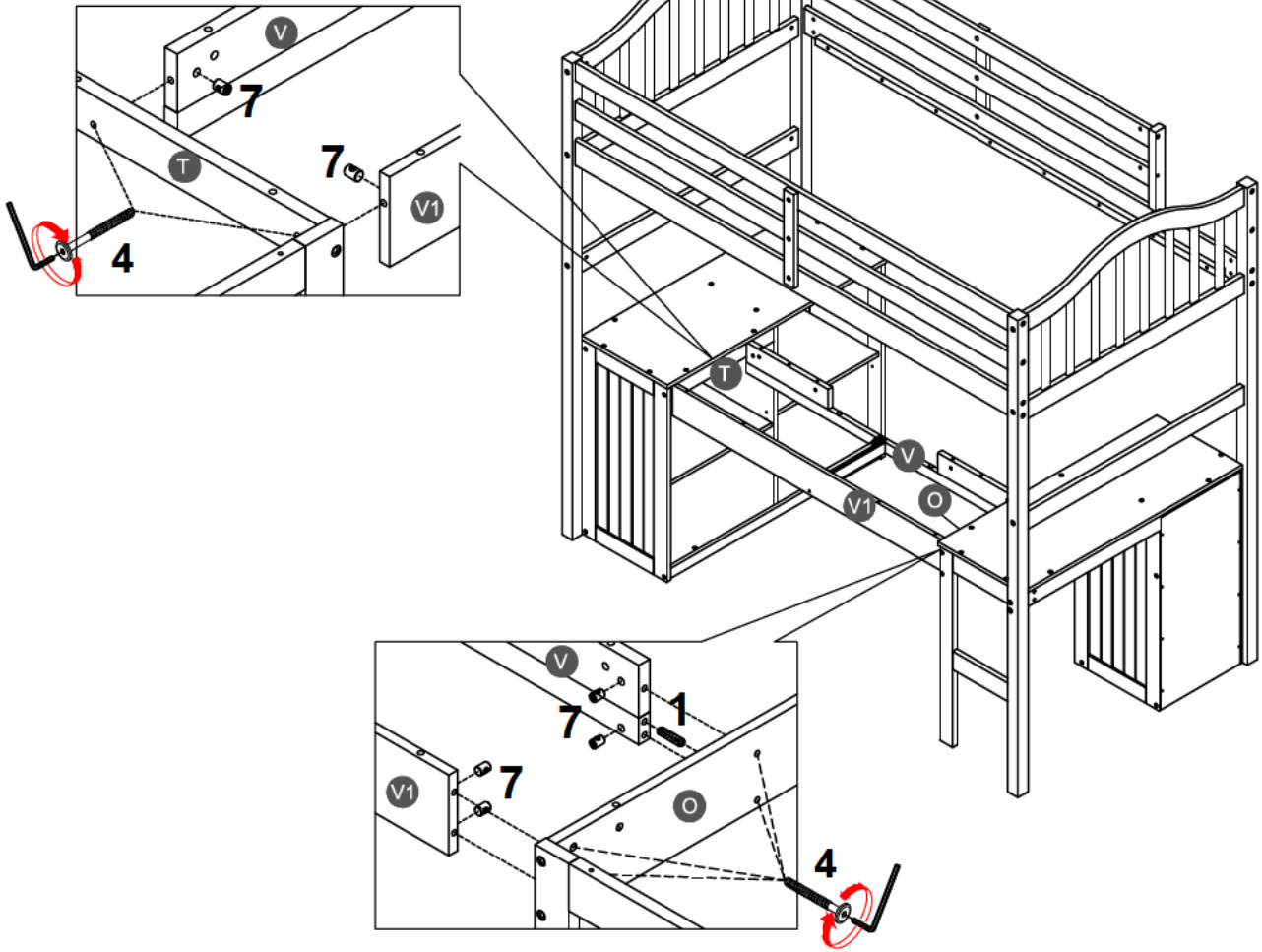
|      |   |      |   |
|------|---|------|---|
| 4    |  | 7    |  |
| 2PCS |   | 2PCS |   |

## STEP 28:






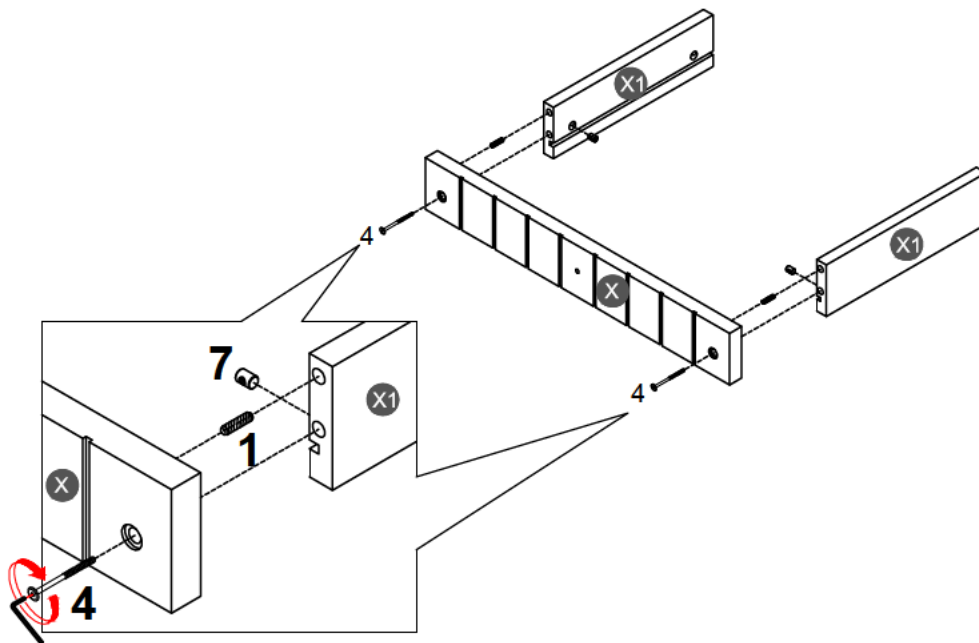
# STEP 29:

|            |   |             |   |             |   |
|------------|---|-------------|---|-------------|---|
| <b>1</b>   |  | <b>4</b>    |  | <b>7</b>    |  |
| <b>1PC</b> |   | <b>6PCS</b> |   | <b>6PCS</b> |   |

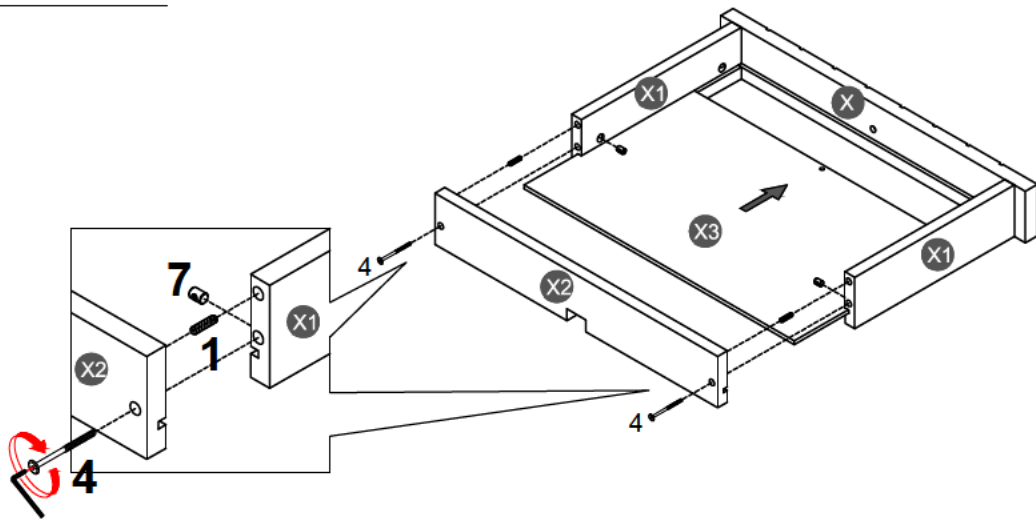


# STEP 30:

|             |   |             |   |
|-------------|---|-------------|---|
| <b>1</b>    |  | <b>4</b>    |  |
| <b>2PCS</b> |   | <b>2PCS</b> |   |
|             |   | <b>7</b>    |  |
| <b>2PCS</b> |   |             |   |

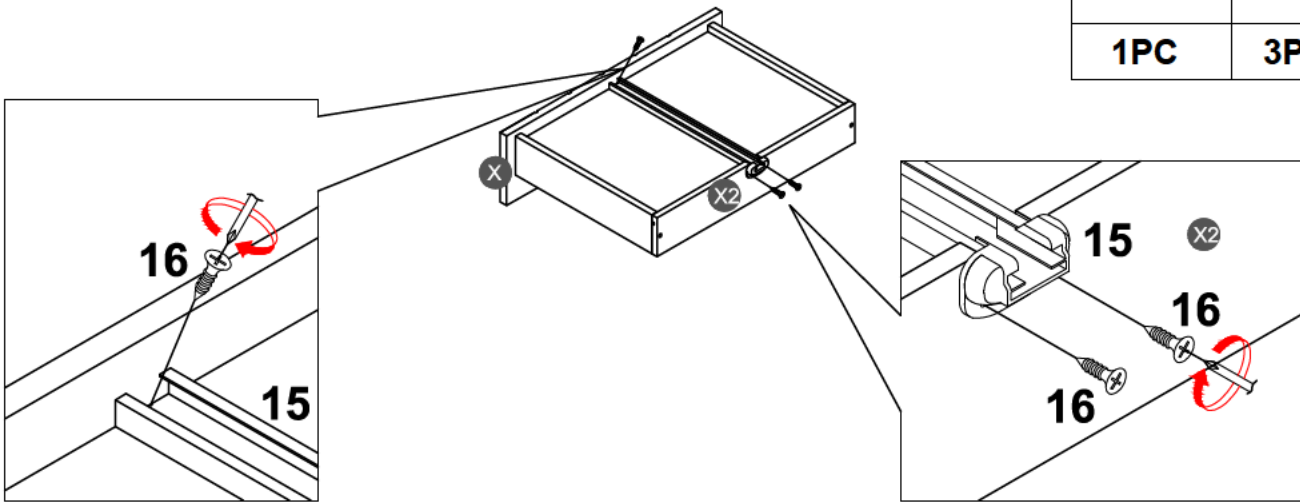


### STEP 31:



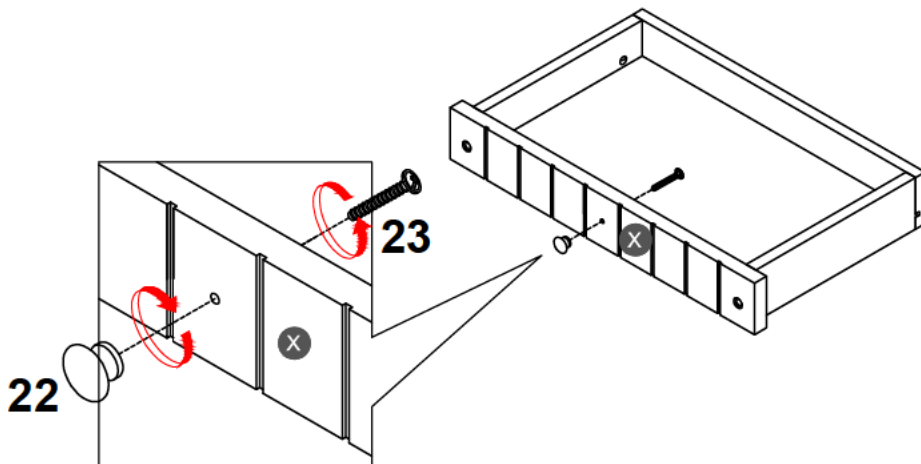
|             |  |             |  |
|-------------|--|-------------|--|
| <b>1</b>    |  | <b>4</b>    |  |
| <b>2PCS</b> |  | <b>2PCS</b> |  |
|             |  | <b>7</b>    |  |
|             |  | <b>2PCS</b> |  |

### STEP 32:






|            |  |             |  |
|------------|--|-------------|--|
| <b>15</b>  |  | <b>16</b>   |  |
| <b>1PC</b> |  | <b>3PCS</b> |  |

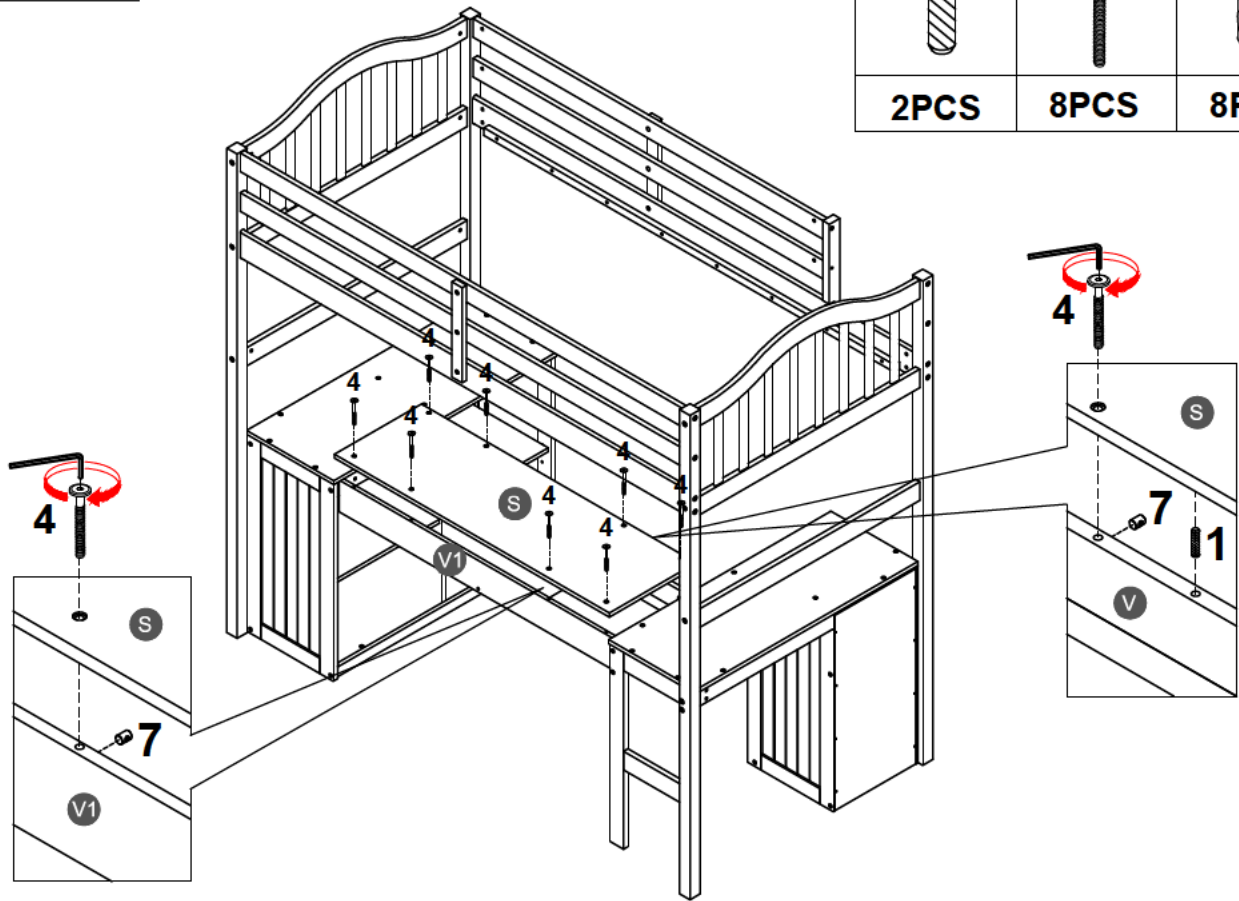
### STEP 33:




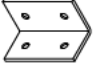
|            |  |            |  |
|------------|--|------------|--|
| <b>22</b>  |  | <b>23</b>  |  |
| <b>1PC</b> |  | <b>1PC</b> |  |

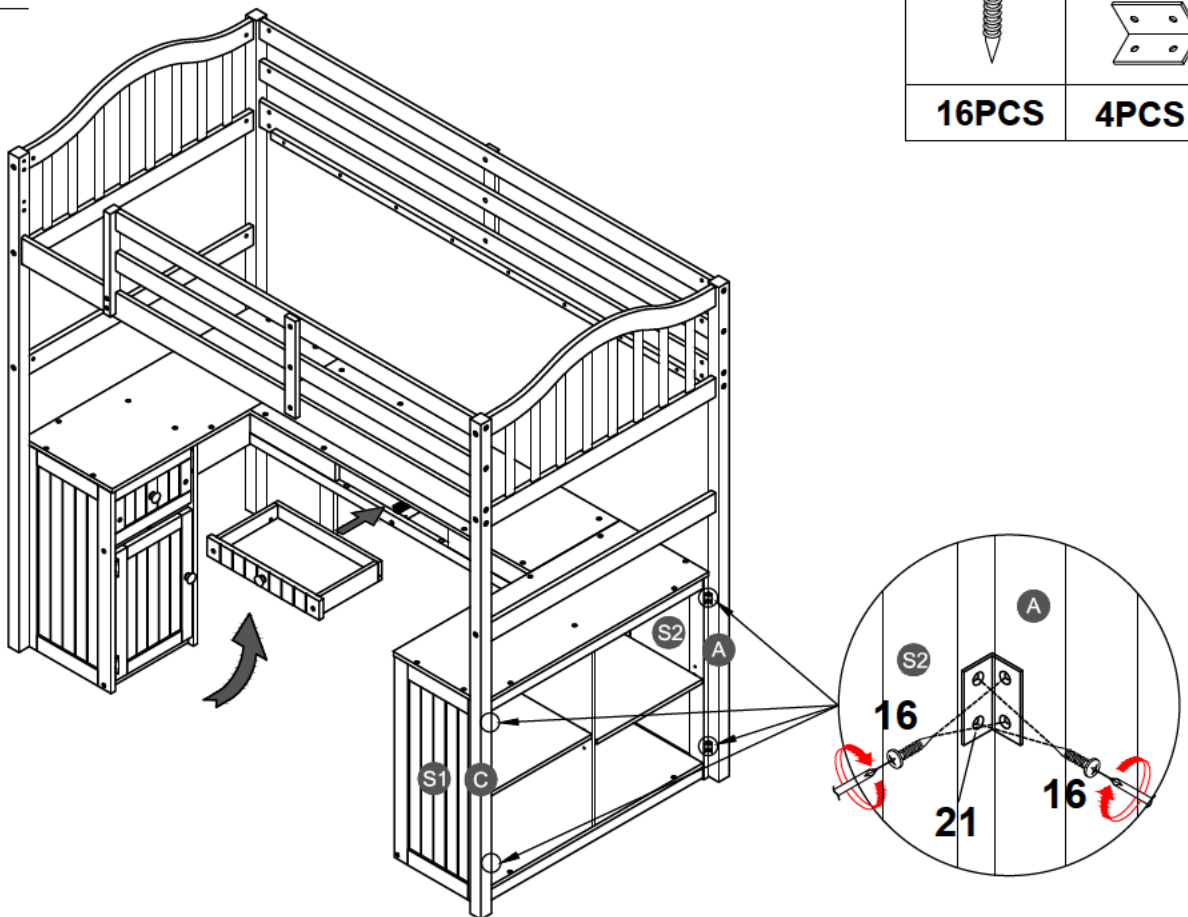
# STEP 34:

|          |   |             |   |             |   |
|----------|---|-------------|---|-------------|---|
| <b>1</b> |  | <b>4</b>    |  | <b>7</b>    |  |
|          |   | <b>2PCS</b> | <b>8PCS</b>   | <b>8PCS</b> |   |



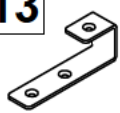



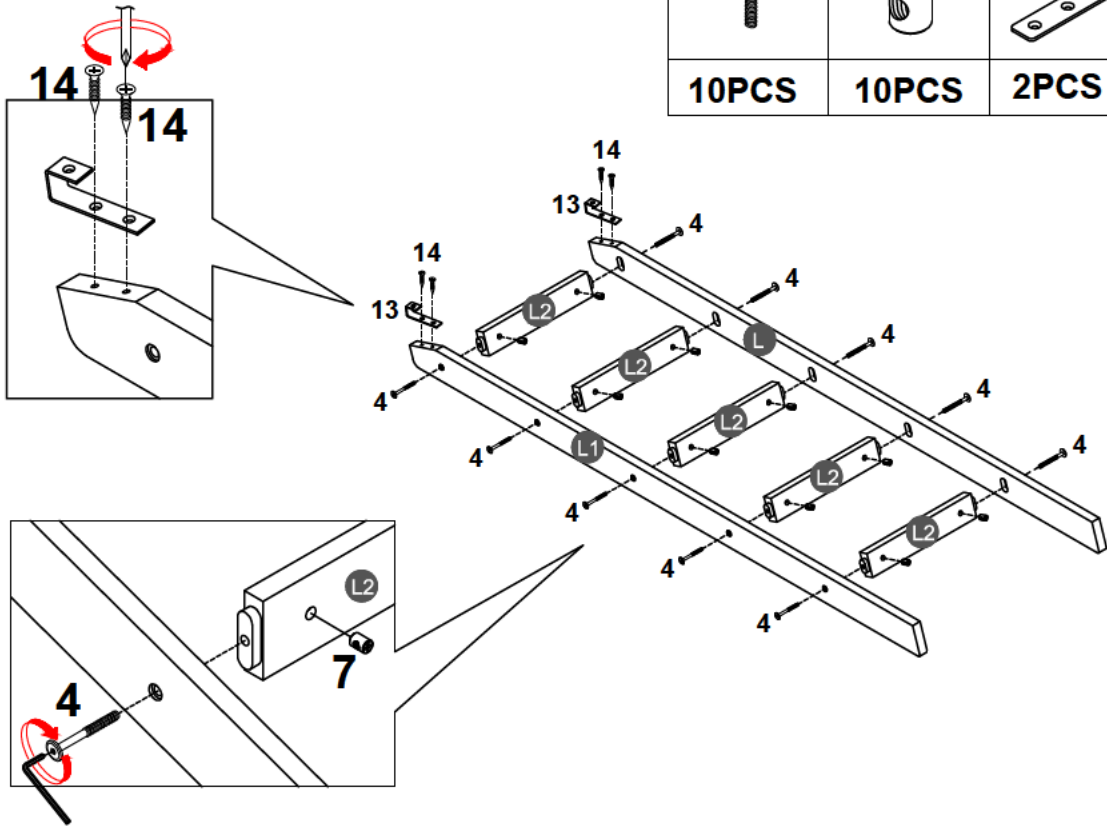
# STEP 35:

|           |   |              |   |
|-----------|---|--------------|---|
| <b>16</b> |  | <b>21</b>    |  |
|           |   | <b>16PCS</b> | <b>4PCS</b>   |




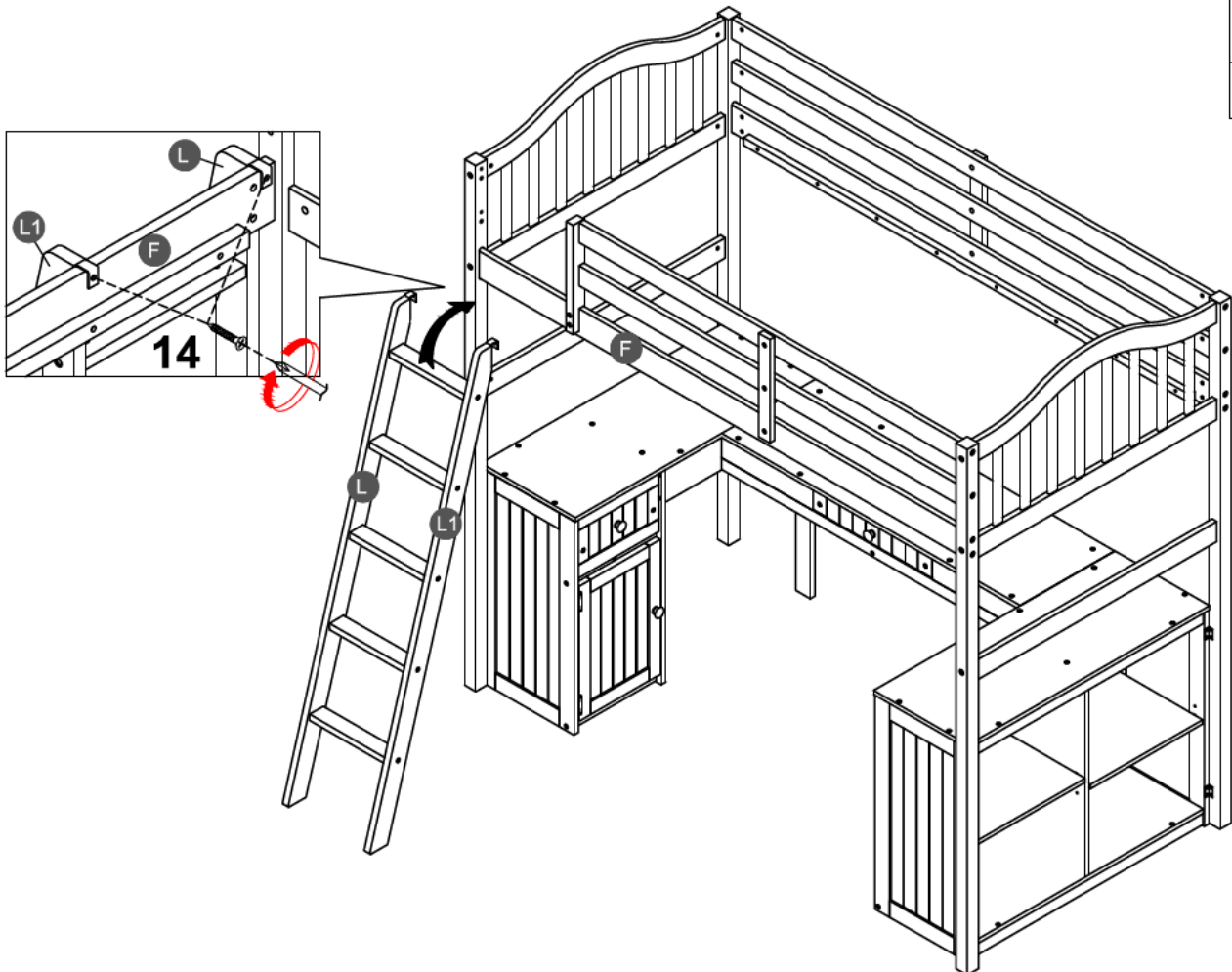
**STEP 36:**

|              |   |              |   |             |   |             |   |
|--------------|---|--------------|---|-------------|---|-------------|---|
| <b>4</b>     |  | <b>7</b>     |  | <b>13</b>   |  | <b>14</b>   |  |
| <b>10PCS</b> |   | <b>10PCS</b> |   | <b>2PCS</b> |   | <b>4PCS</b> |   |



**STEP 37:**

|             |   |
|-------------|---|
| <b>14</b>   |  |
| <b>2PCS</b> |   |

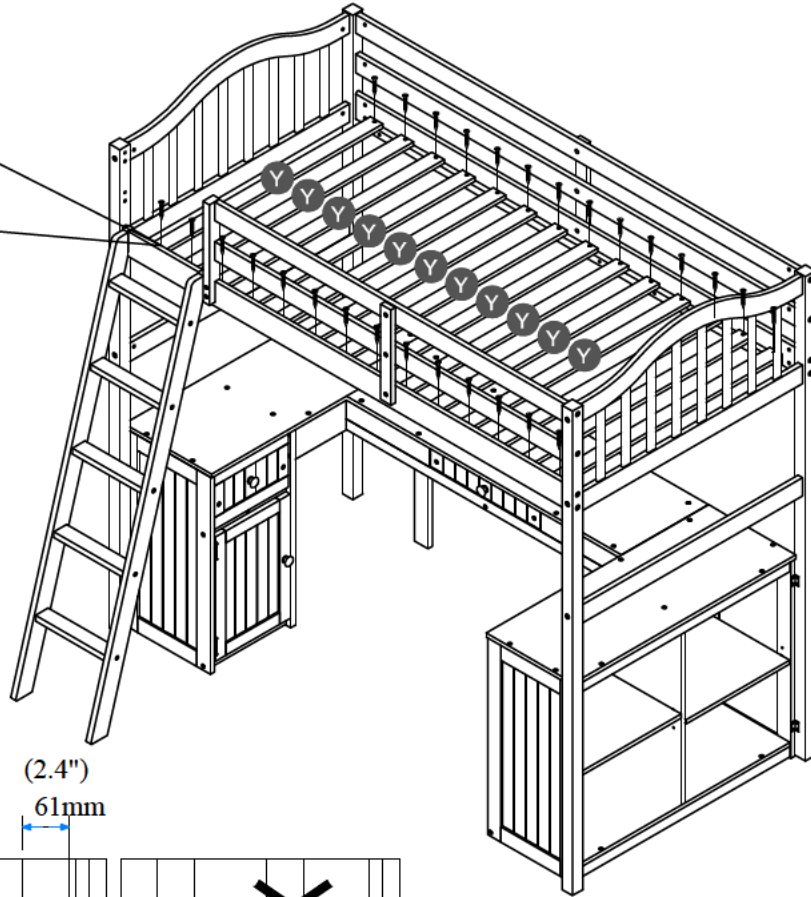
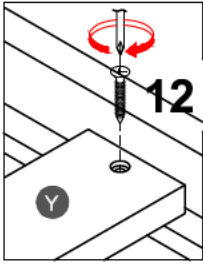


# STEP 38:

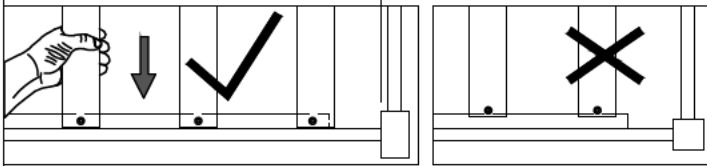
12



28PCS



(3.1") 79mm (3.3") 84.5mm (2.4") 61mm



Note: Do not lock the screws of the bed slats to the outermost edge of the bed slats, you need to leave a certain space at the edges, otherwise it will cause the board to break. Do not lock the bed slats on the edge of the wood, please hold firmly before screwing, hold it in place with one hand, then lock the screw.

