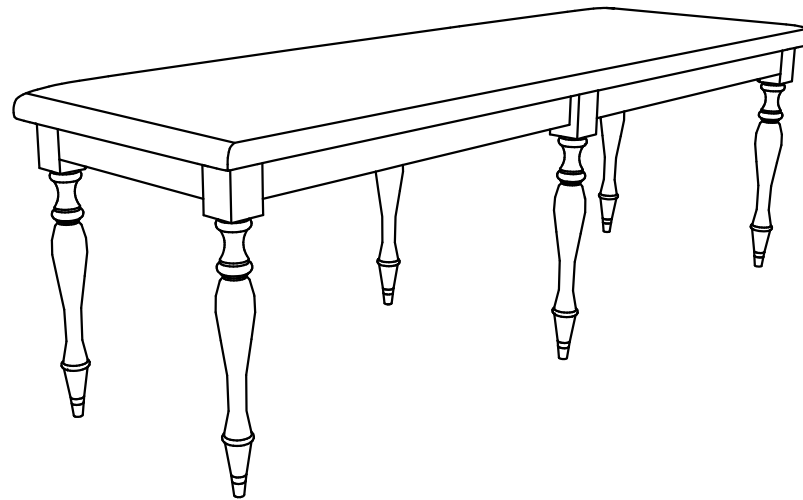


ASSEMBLY INSTRUCTION

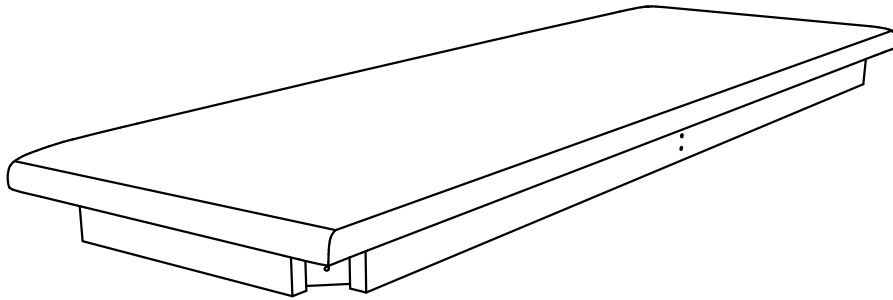
N717P170409

x1



PARTS LIST - N717P170409

A



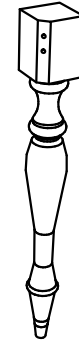
Quantity:
1 pc

B






Quantity:
2 pcs

C



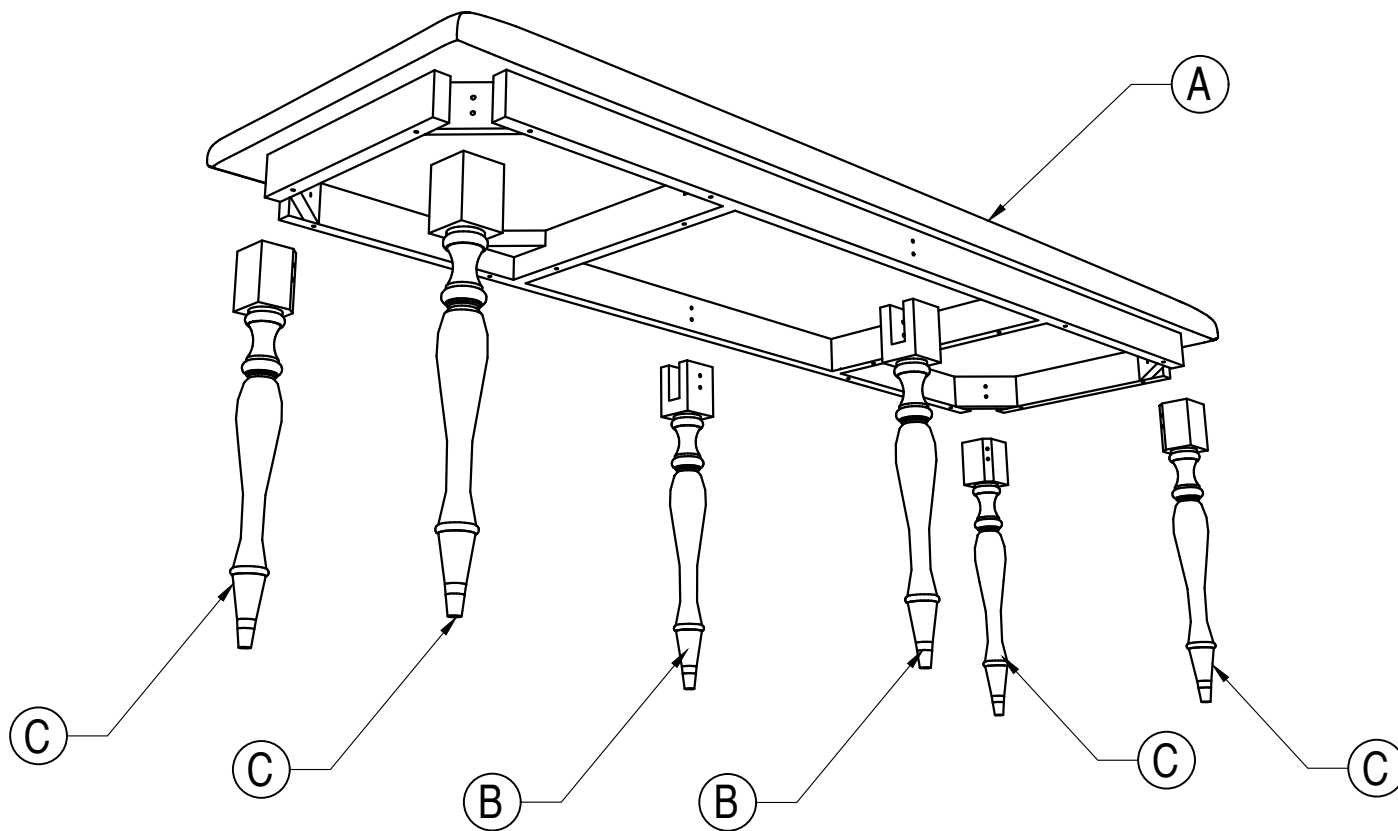
Quantity:
4 pcs

HARDWARE LIST - N717P170409

<p>①</p>  <p>Allen key Quantity: 1 pc</p>	<p>②</p>  <p>6x30mm Quantity: 12 pcs</p>	<p>③</p>  <p>6x16mm Quantity: 12pcs</p>
--	---	--

COMPONENTS - KEY DIAGRAM

N717 P170409



x1

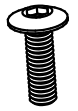
STEP 1

1



1 pc

2

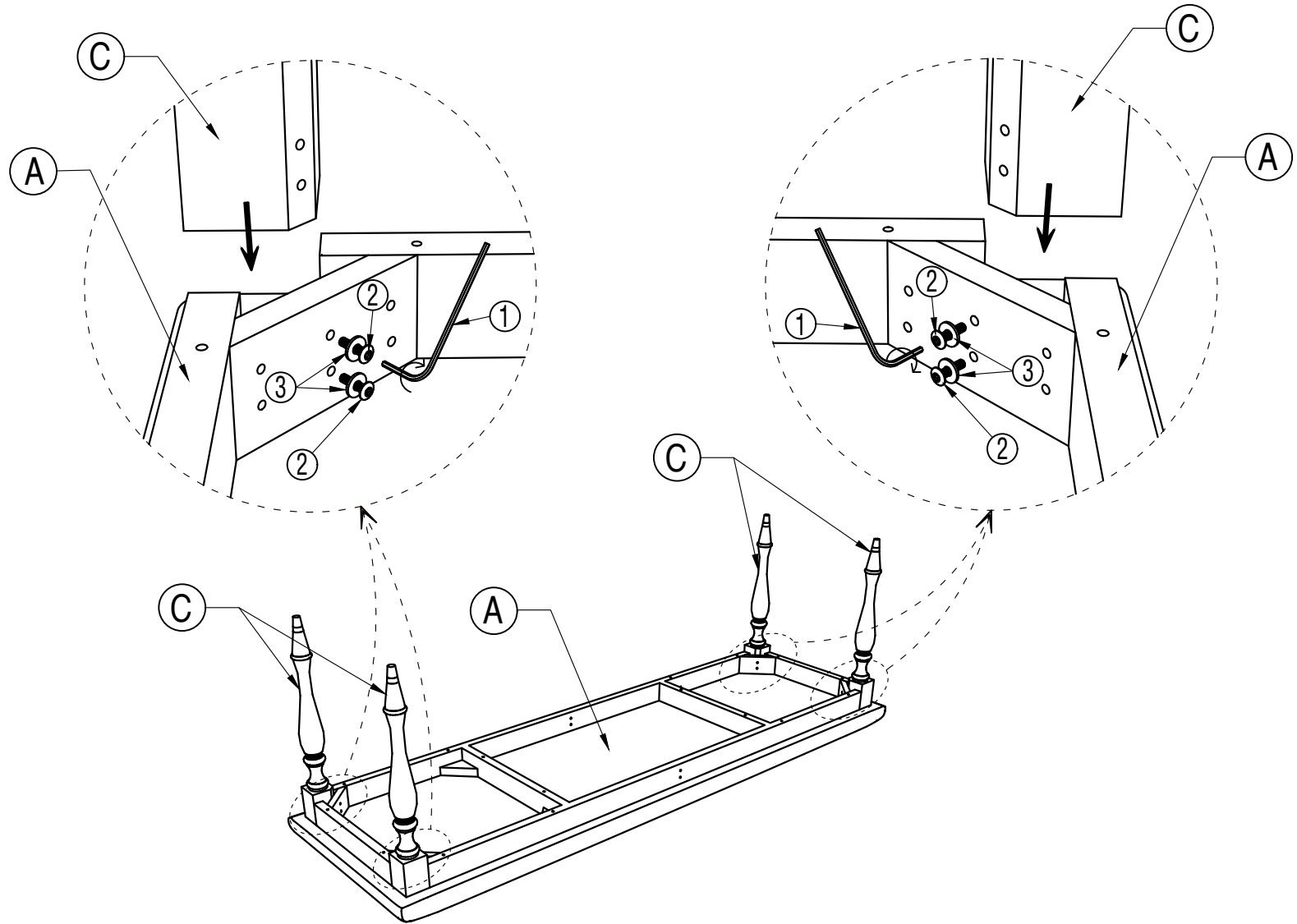


6x50mm
8 pcs

3



6x16mm
8 pcs



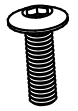
STEP 2

①



1 pc

②



6x50mm
4 pcs

③



6x16mm
4 pcs

