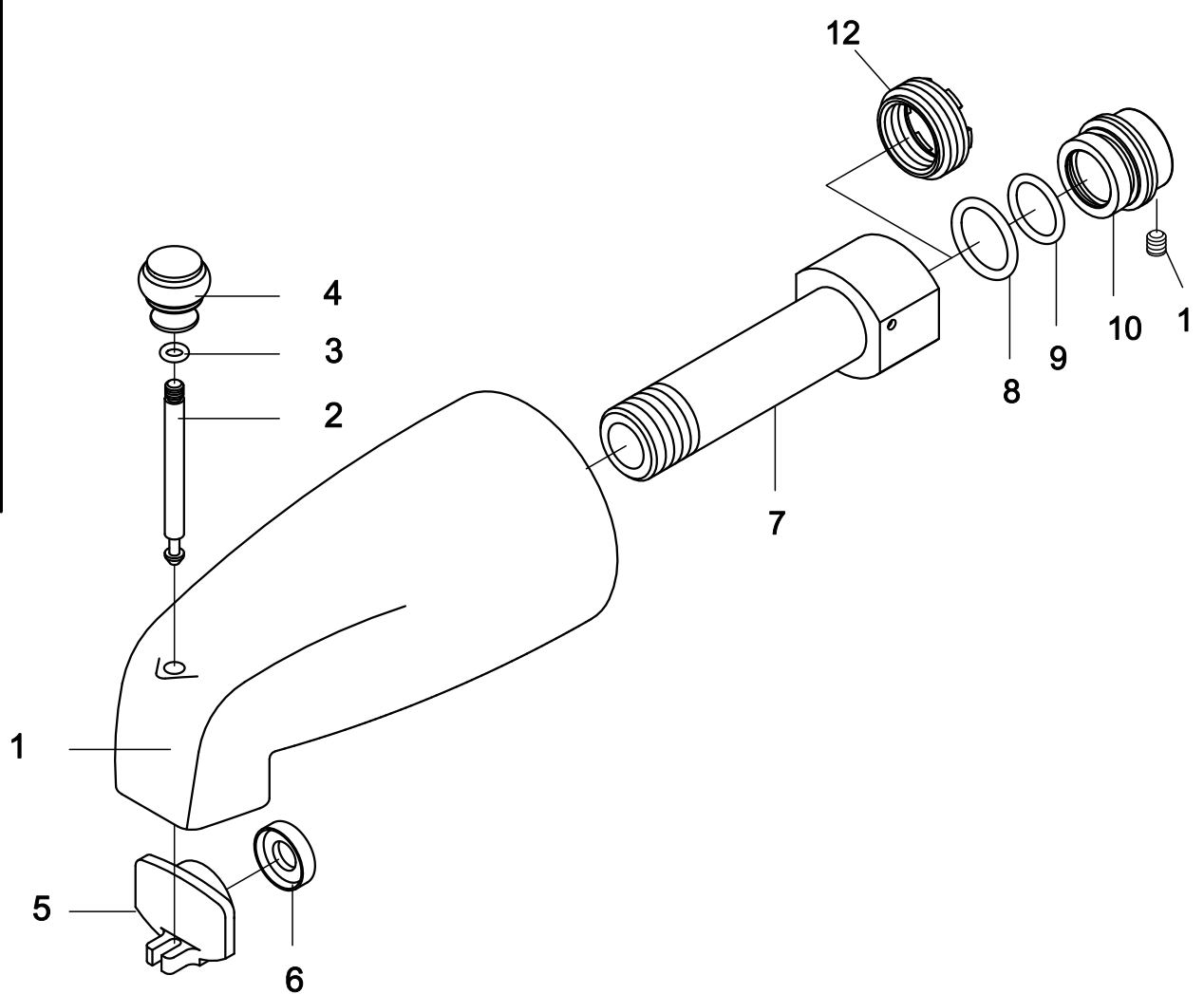
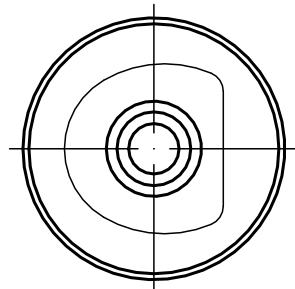
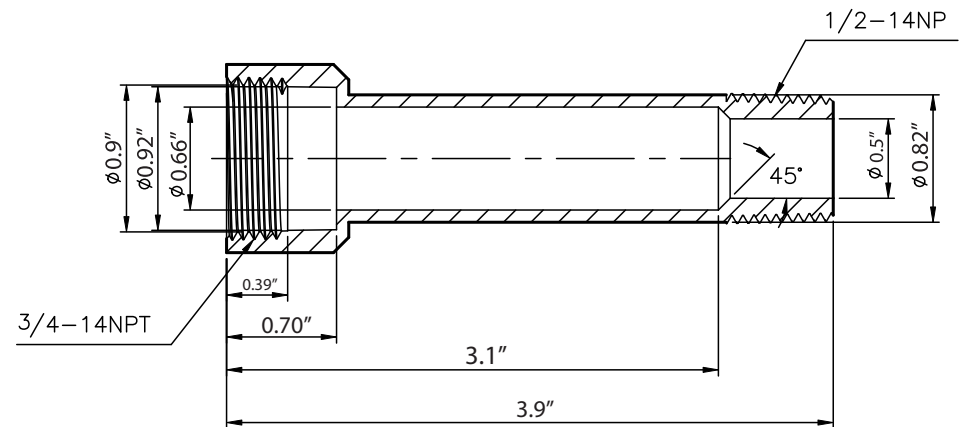
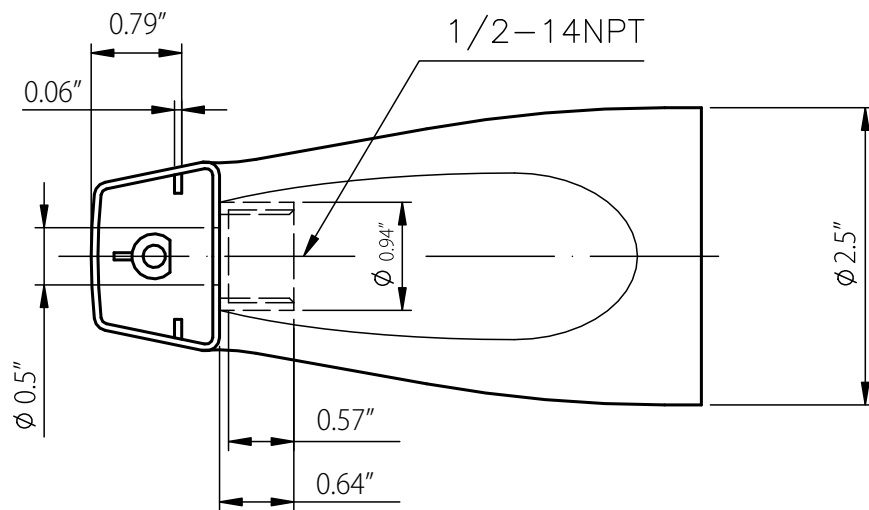
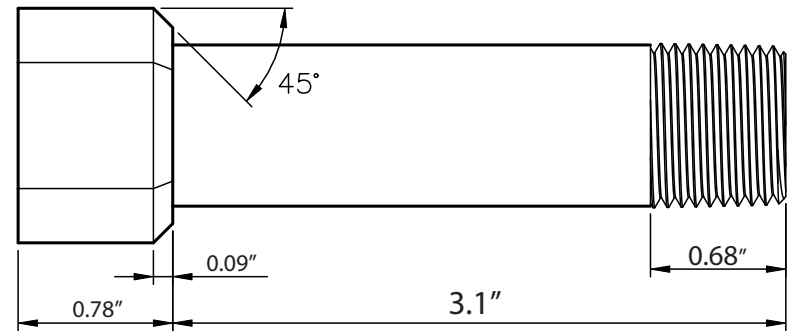
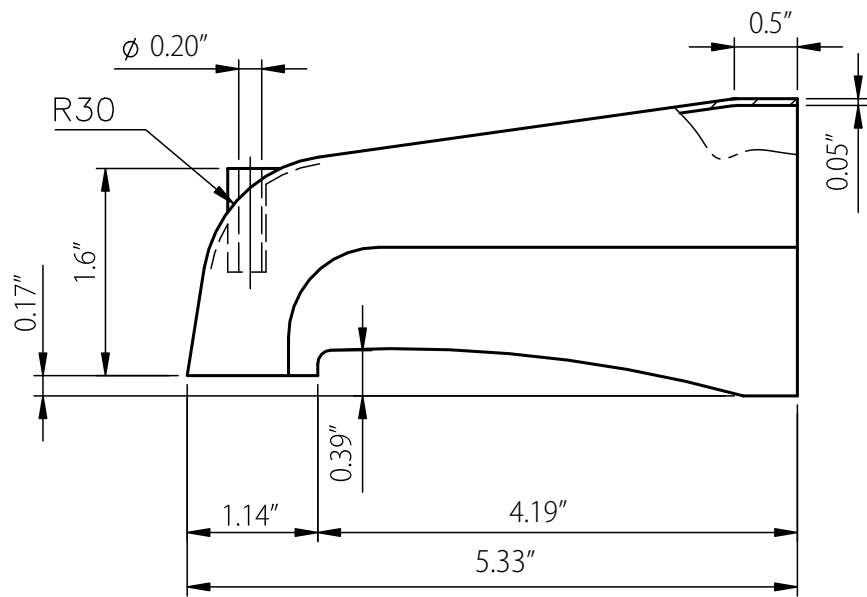


NO.	Part Name:	QTY	Material:
1	BODY	1	BRASS
2	ROD	1	BRASS
3	O-RING	1	NBR
4	KNOB	1	BRASS
5	GATE	1	POM
6	Gate Washer	1	NBR
7	INSERT PIPE	1	POM
8	O-RING	1	NBR
9	O-RING	1	NBR
10	BUSHING	1	Aluminum
11	Set Screw	1	Stainless
12	BUSHING	1	POM



WESTBRASS		2429 E. Olympic Blvd. Los Angeles, CA 90021	
TITLE Zinc Front Diverter Spout 4in1			
DWG NO. E531DUS		DATE 3/28/2025	REV A
Scale		Sheet	1 of 1



WESTBRASS

2429 E. Olympic Blvd.
Los Angeles, CA 90021

TITLE Zinc Front Diverter Spout 4in1

DWG NO. E531DUS

DATE 3/28/2025

REV A

Scale

Sheet 1 of 1