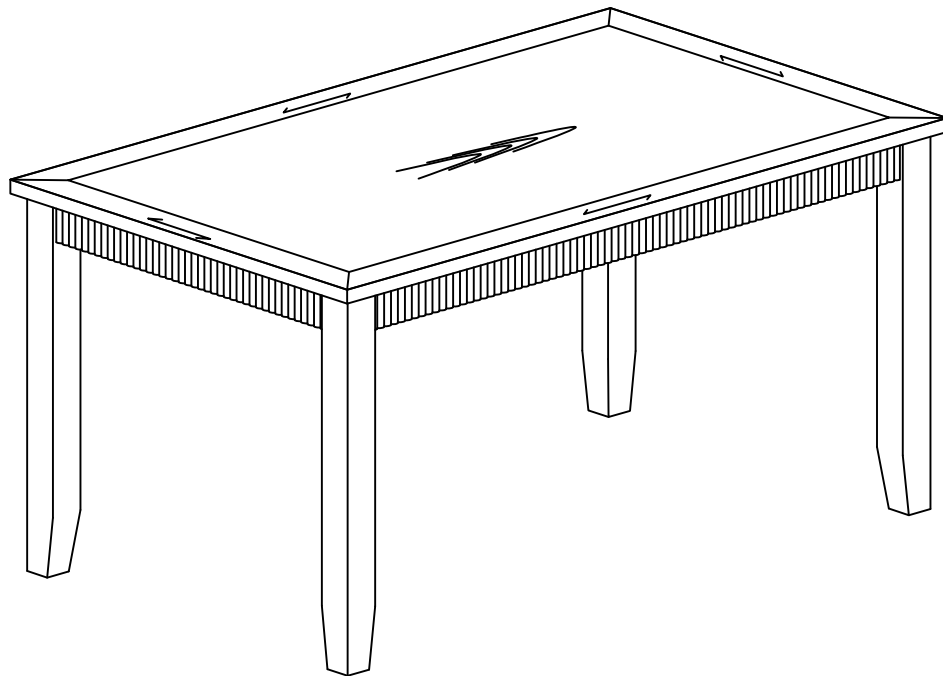


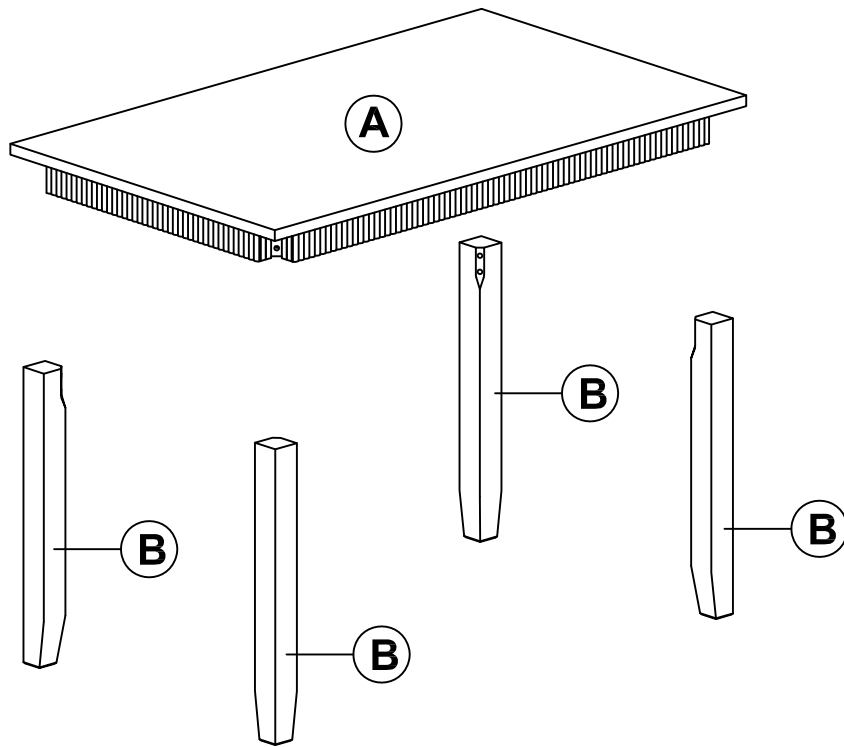
ASSEMBLY INSTRUCTIONS

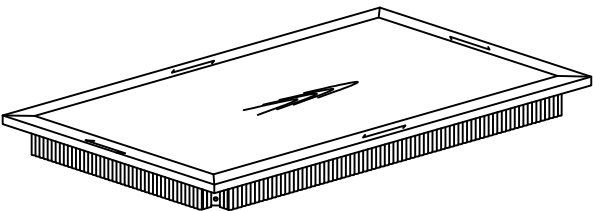


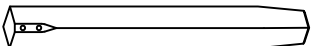


DINING TABLE



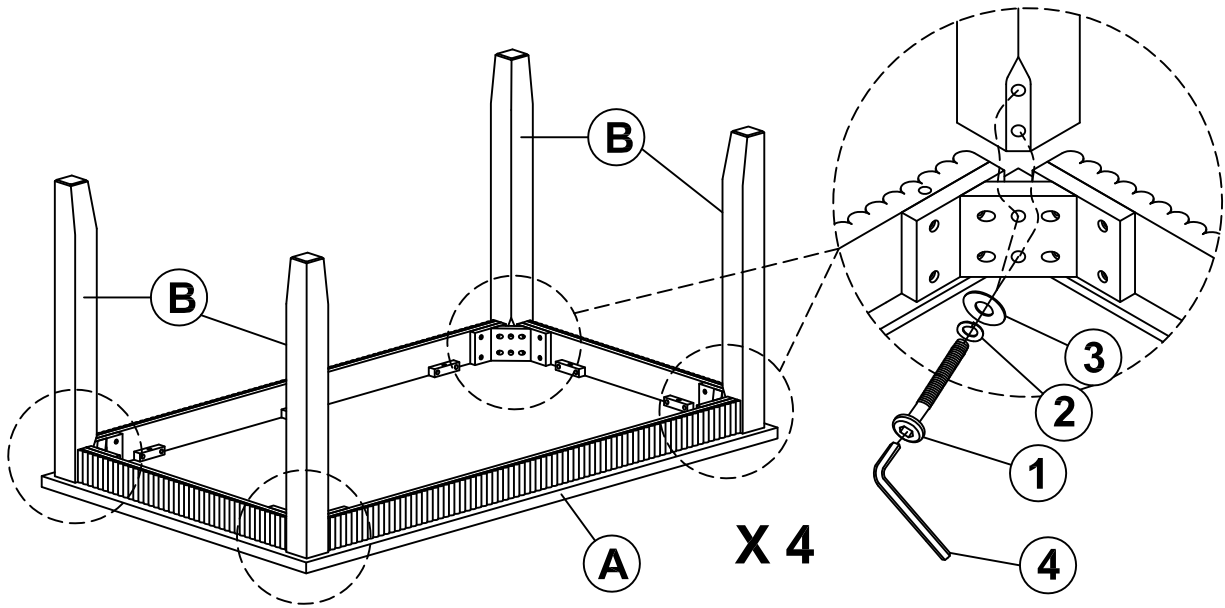
IMPORTANT NOTE:

- ① PLACE ALL PARTS ON A CLEAN AND SMOOTH SURFACE SUCH AS A RUG OR CARPET TO AVOID THE PARTS FROM BEING SCRATCHED.
- ② BEFORE YOU BEGIN, KINDLY FOLLOW THE ASSEMBLY INSTRUCTIONS STEP BY STEP.
- ③ DO NOT TIGHTEN ALL SCREWS AND BOLTS UNTIL THE TABLE IS FULLY SET-UP.

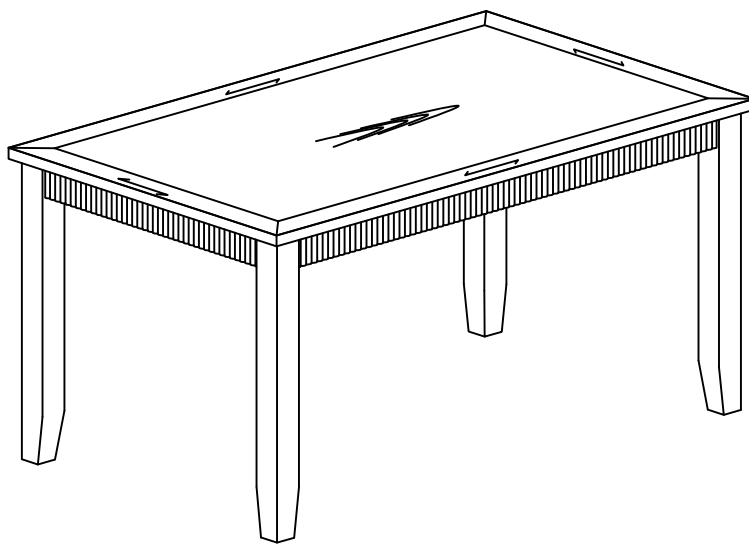


Part List For	Hardware List
<p>(A)</p> 	<p>(1)</p>  <p>Ø5/16"x 70mm</p> <p>BOLT (8pcs)</p> <p>(2)</p>  <p>Ø5/16"x 12mm</p> <p>LOCK WASHER (8pcs)</p>
<p>(B)</p> 	<p>(3)</p>  <p>Ø5/16"x 19mm</p> <p>FLAT WASHER (8pcs)</p> <p>(4)</p>  <p>4mm</p> <p>ALLEN KEY (1pc)</p>
<p>TABLE TOP (1pc)</p>	<p>TABLE LEG (4pcs)</p>

STEP 1:

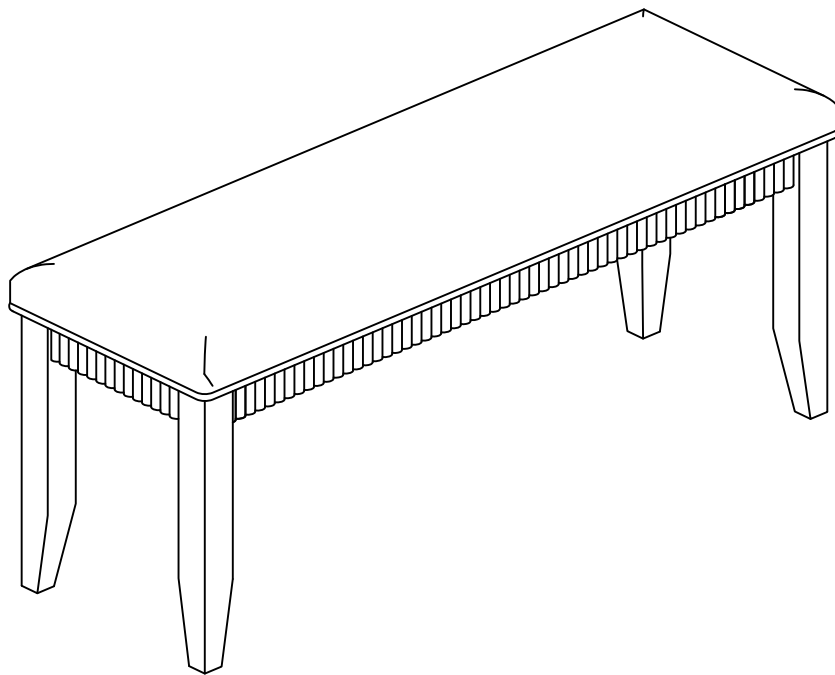


STEP 2:



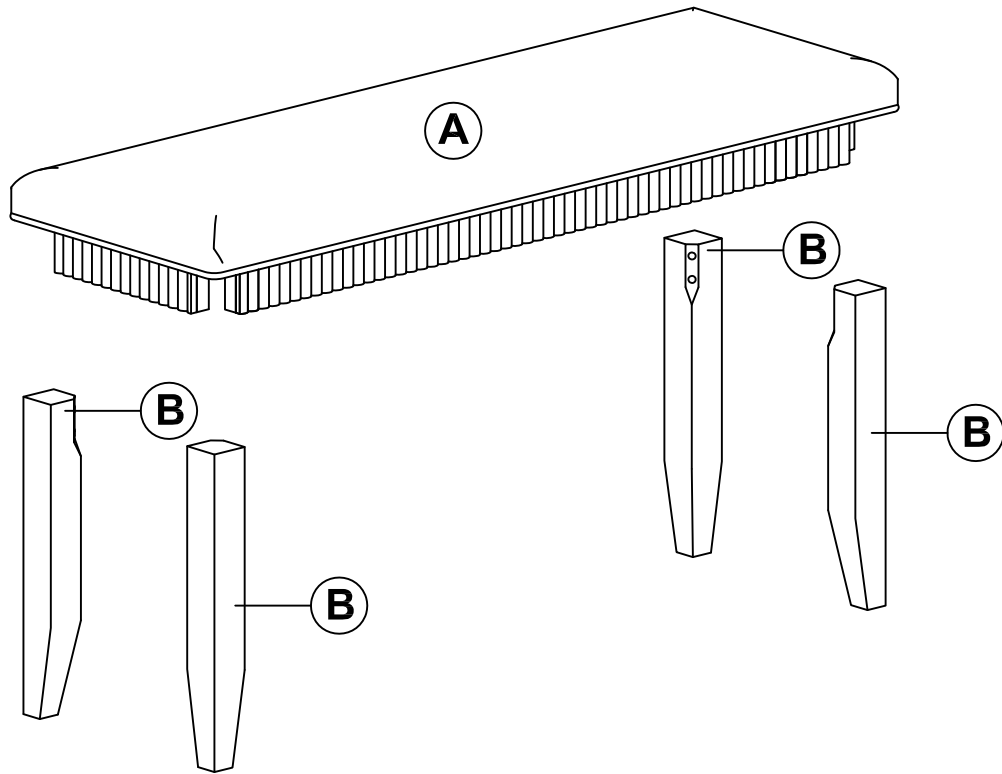
ASSEMBLY INSTRUCTIONS

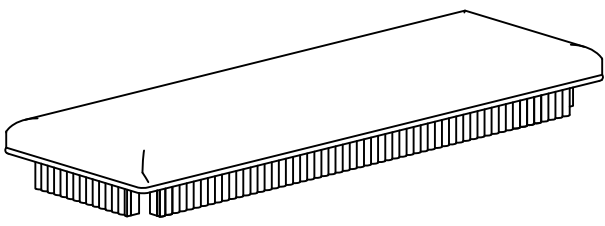

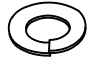
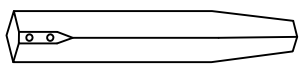


BENCH



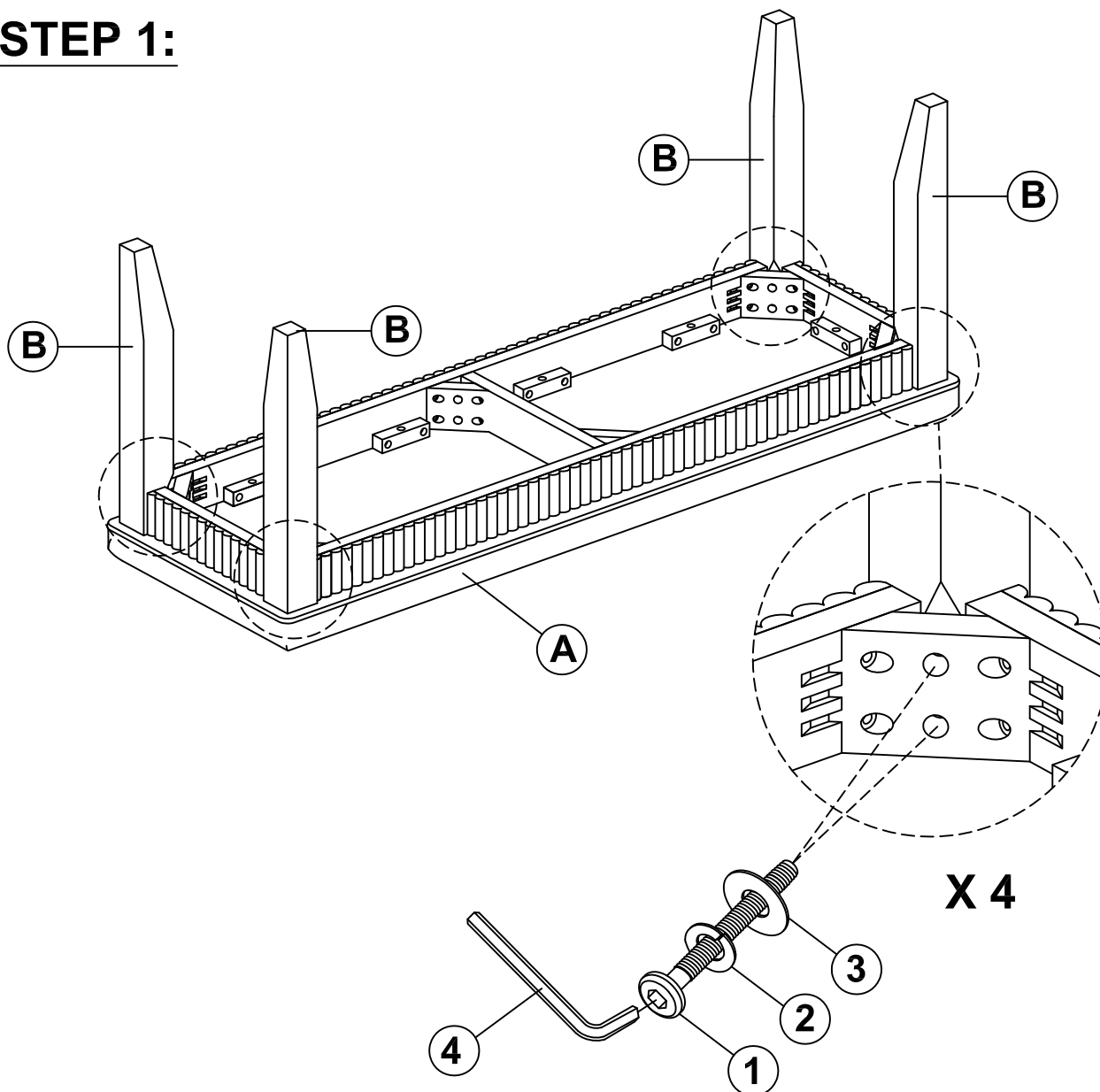
IMPORTANT NOTE:

- ① PLACE ALL PARTS ON A CLEAN AND SMOOTH SURFACE SUCH AS A RUG OR CARPET TO AVOID THE PARTS FROM BEING SCRATCHED.
- ② BEFORE YOU BEGIN, KINDLY FOLLOW THE ASSEMBLY INSTRUCTIONS STEP BY STEP.
- ③ DO NOT TIGHTEN ALL SCREWS AND BOLTS UNTIL THE BENCH IS FULLY SET-UP.

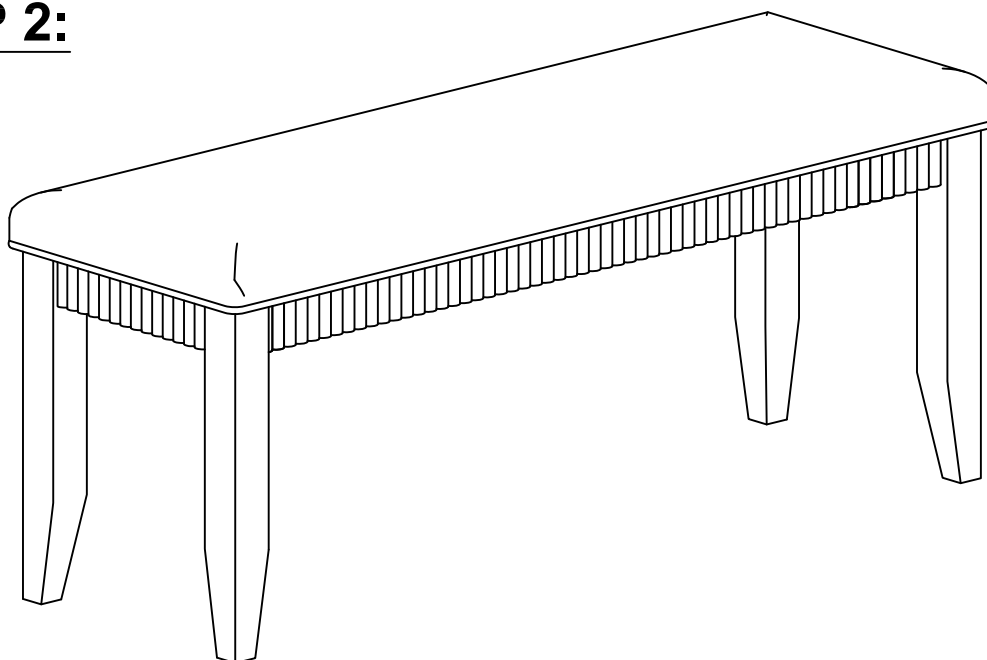


Part List For	Hardware List
<p data-bbox="119 1041 175 1097">A</p>  <p data-bbox="263 1518 702 1568">CUSHION SEAT (1pc)</p>	<p data-bbox="805 1041 861 1097">1</p>  <p data-bbox="997 1164 1268 1220">Ø1/4"x 60mm</p> <p data-bbox="1013 1243 1268 1299">BOLT (8pcs)</p> <p data-bbox="805 1310 861 1366">2</p>  <p data-bbox="997 1444 1268 1500">Ø1/4"x 11mm</p> <p data-bbox="925 1518 1380 1568">LOCK WASHER (8pcs)</p>
<p data-bbox="119 1590 175 1646">B</p>  <p data-bbox="255 2072 486 2116">LEG (4pcs)</p>	<p data-bbox="805 1590 861 1646">3</p>  <p data-bbox="989 1724 1268 1780">Ø1/4"x 19mm</p> <p data-bbox="917 1792 1356 1848">FLAT WASHER (8pcs)</p> <p data-bbox="805 1859 861 1915">4</p>  <p data-bbox="1093 1982 1197 2038">4mm</p> <p data-bbox="949 2072 1300 2116">ALLEN KEY (1pc)</p>

STEP 1:

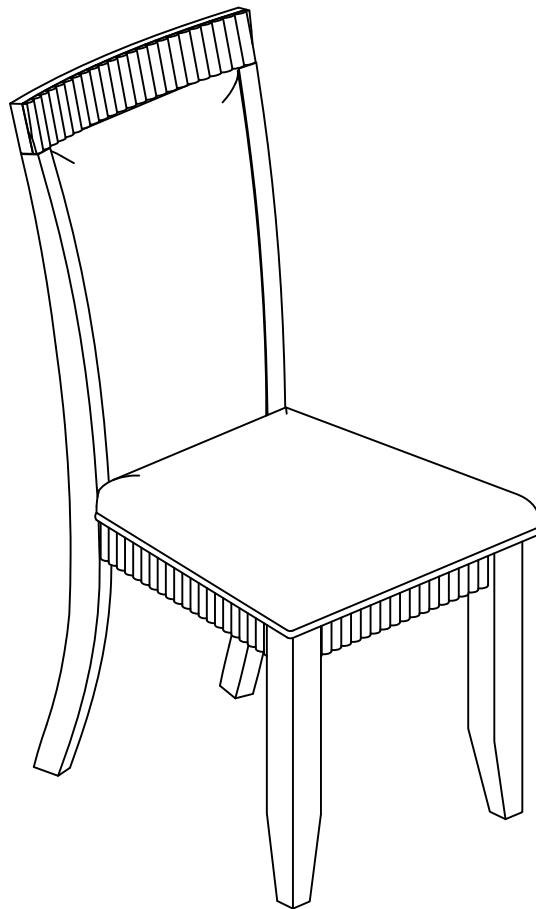


STEP 2:



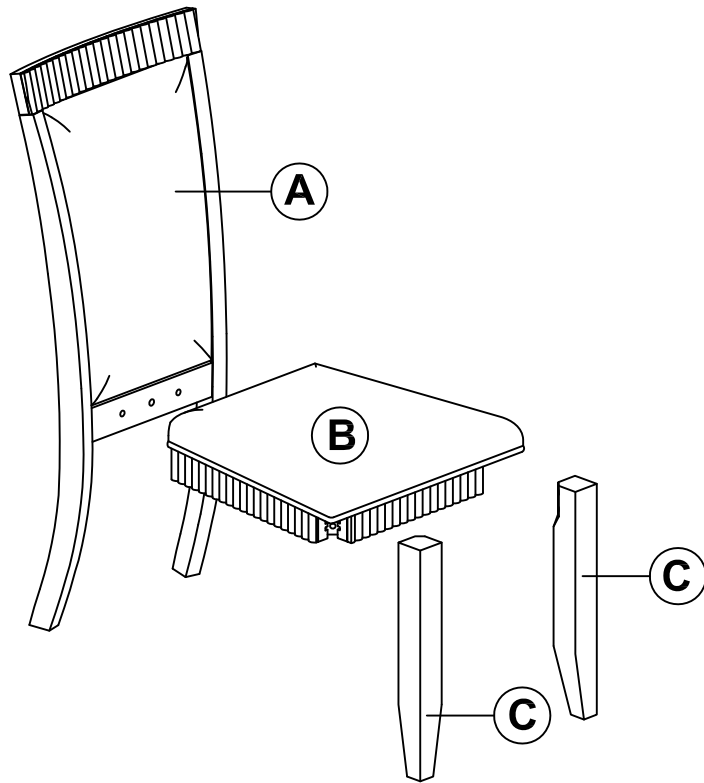
ASSEMBLY INSTRUCTIONS

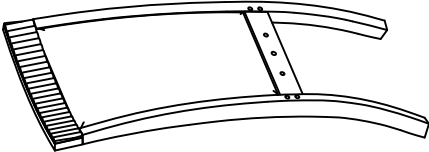

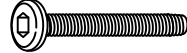
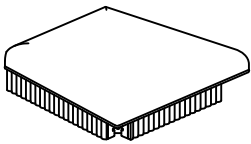
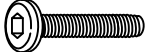



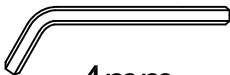
DINING CHAIR



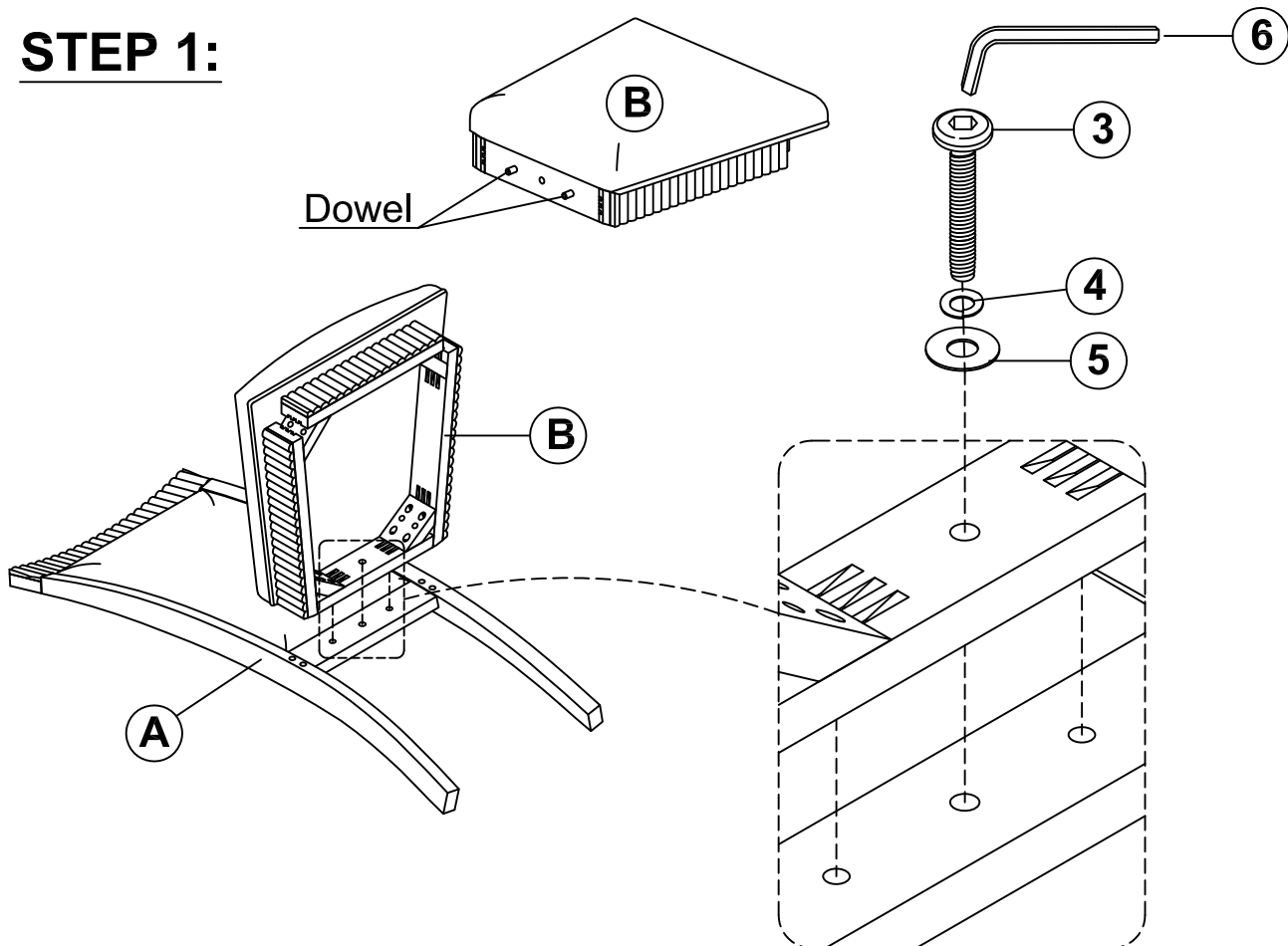
IMPORTANT NOTE:

- ① PLACE ALL PARTS ON A CLEAN AND SMOOTH SURFACE SUCH AS A RUG OR CARPET TO AVOID THE PARTS FROM BEING SCRATCHED.
- ② BEFORE YOU BEGIN, KINDLY FOLLOW THE ASSEMBLY INSTRUCTIONS STEP BY STEP.
- ③ DO NOT TIGHTEN ALL SCREWS AND BOLTS UNTIL THE CHAIR IS FULLY SET-UP.

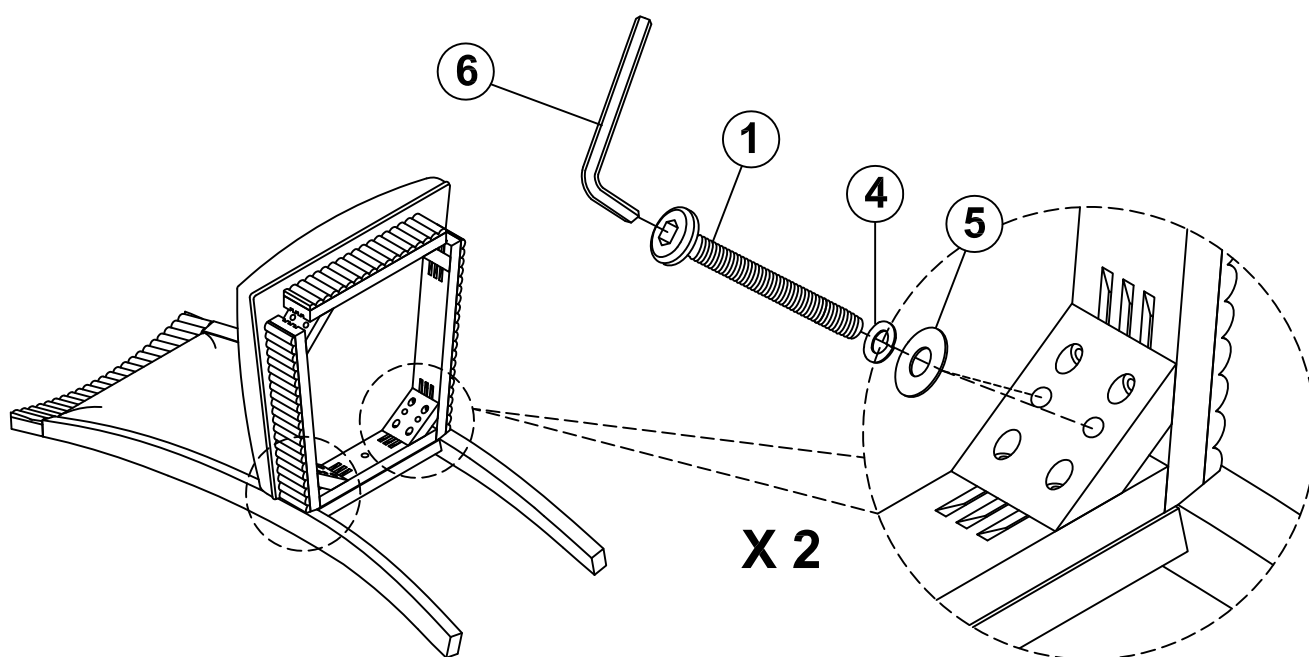


Part List For	Hardware List
<p>(A)</p>  <p>BACK FRAME (1pc)</p>	<p>(1)  Ø1/4"x 80mm BOLT (4pcs)</p> <p>(2)  Ø1/4"x 60mm BOLT (4pcs)</p>
<p>(B)</p>  <p>CUSHION SEAT (1pc)</p>	<p>(3)  Ø1/4"x 38mm BOLT (1pc)</p> <p>(4)  Ø1/4"x 11mm LOCK WASHER (9pcs)</p>
<p>(C)</p>  <p>FRONT LEG (2pcs)</p>	<p>(5)  Ø1/4"x 19mm FLAT WASHER (9pcs)</p> <p>(6)  4mm ALLEN KEY (1pc)</p>

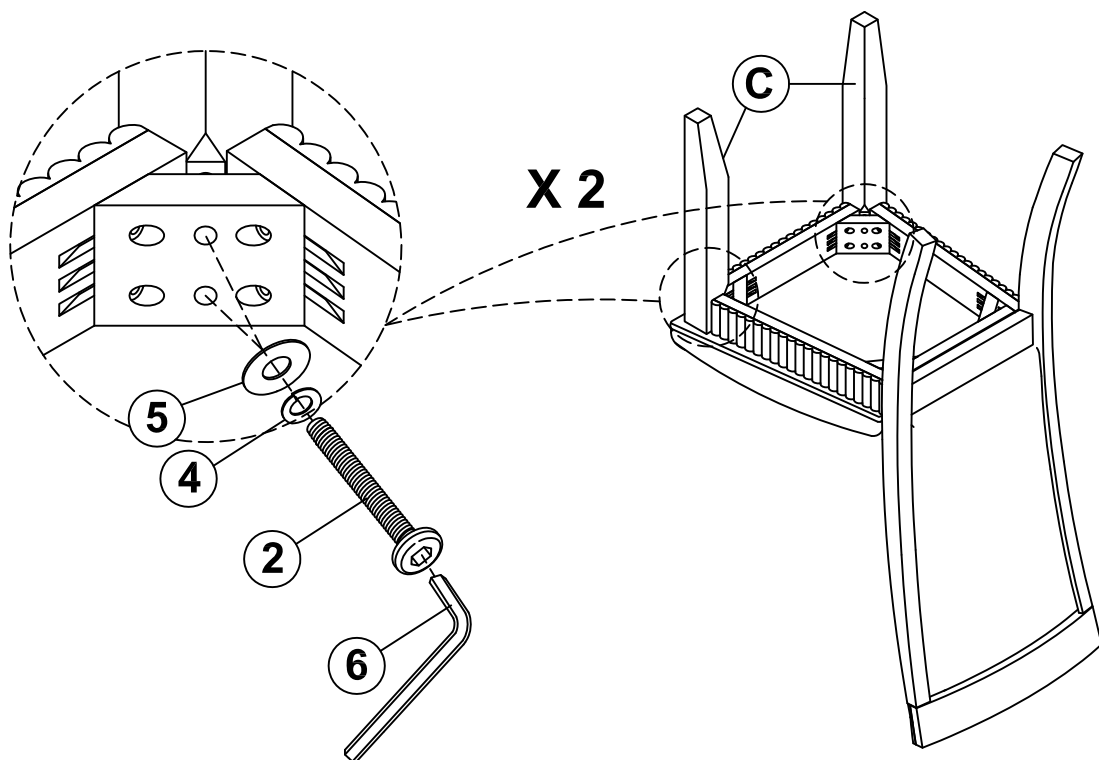
STEP 1:



STEP 2:



STEP 3:



STEP 4:

