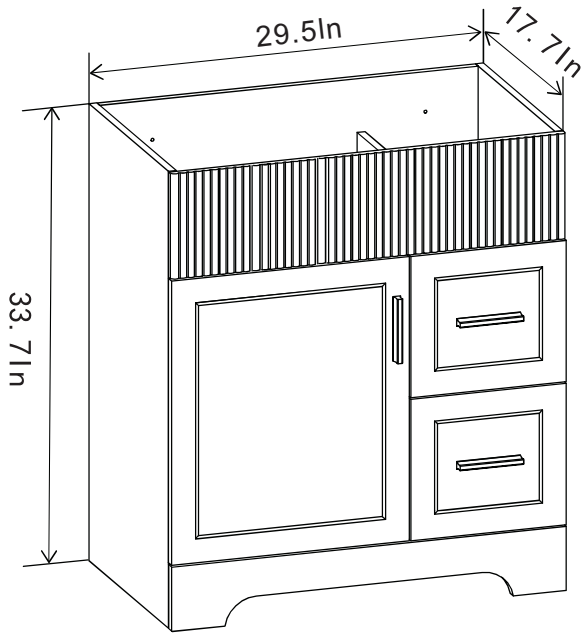
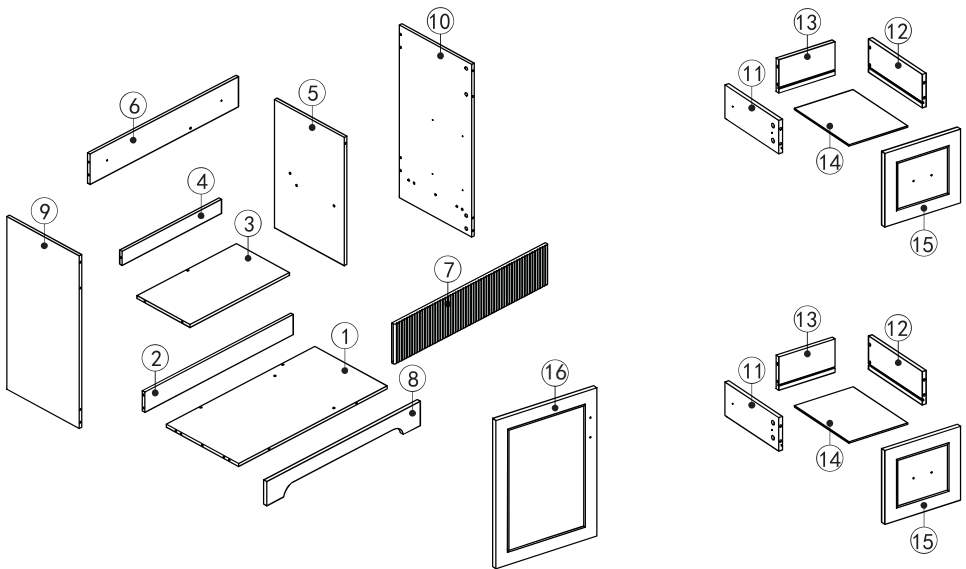


## **INSTALLATION INSTRUCTIONS**












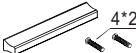




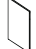
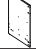






# DIMENSIONS



# ASSEMBLY DIAGRAM

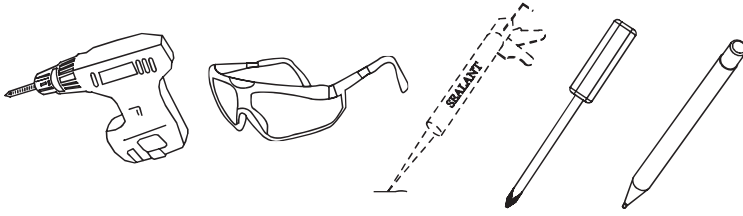


# PARTS LIST

PARTS LIST			HARDWARE LIST		
No.	Description	QTY	No.	Description	QTY
1		1	17	 Three-in-one Connector	53
2		1	18	 Wood Plug	4
3		1	19	 ST4*14 Screws	28
4		1	20	 Slider	4
5		1	21	 Hinges	2
6		1	22	 4*20mm Handle	2
7		1		 4*22mm Handle	1
8		1	23	 ST5*60 Screws For Fix On The Wall	2
9		1			
10		1			
11		2			
12		2			
13		2			
14		2			
15		2			
16		1			

**CAUTION:** Please confirm the parts list before installation

# YOU MAY NEED (NOT SUPPLIED)

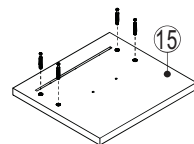
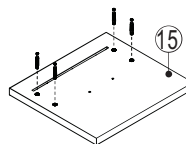
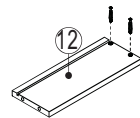
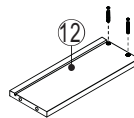
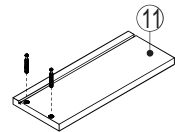
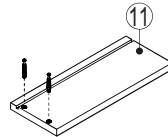
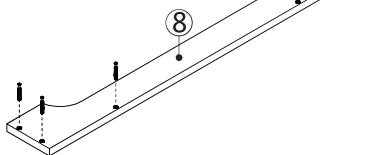
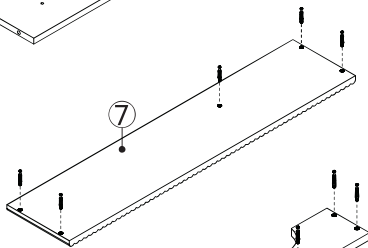
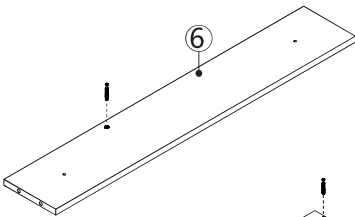
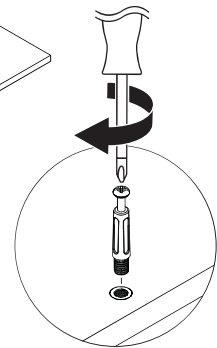
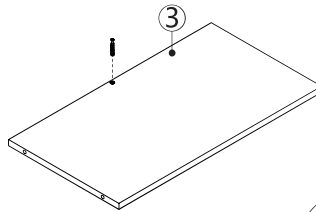
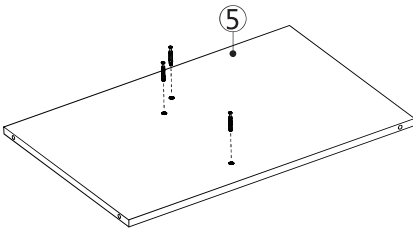
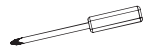


## INSTALLATIONS

### STEP 1

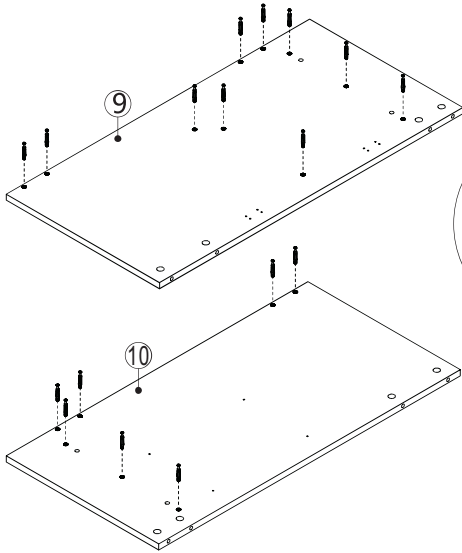
#### HARDWARE LIST

17  32 PCS

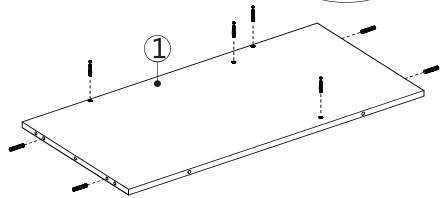
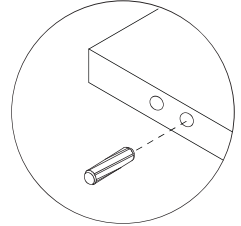
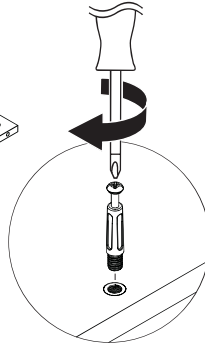
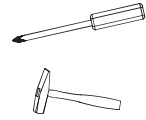


● Insert the Cam Screw into the shelves above.

## STEP 2



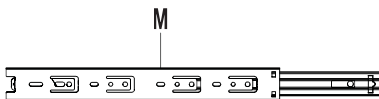
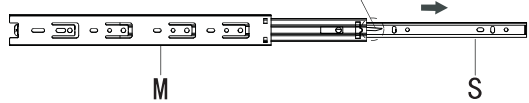
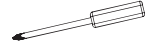
HARDWARE LIST	
17	21PCS
18	4PCS



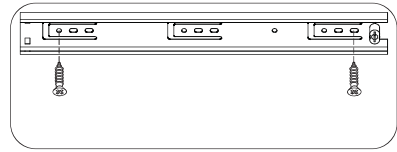
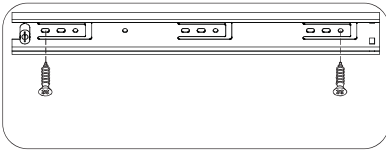
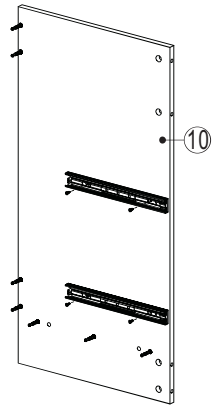
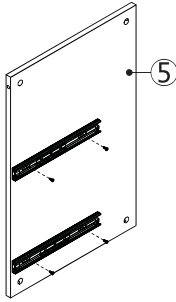
- Insert the wooden dowel pins into the shelves.

## STEP 3

HARDWARE LIST	
20	4PCS
19	8PCS





- Keep pressing here, then pull out to divide the slide.

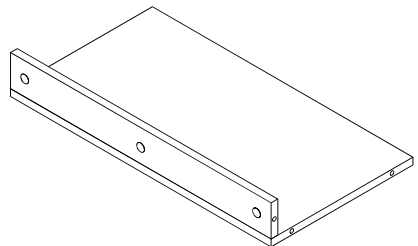
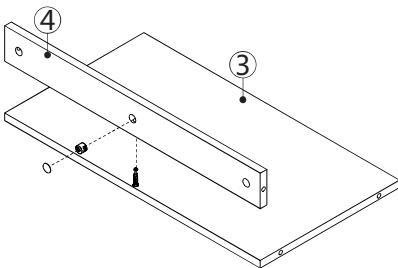
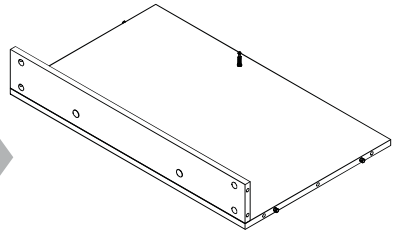
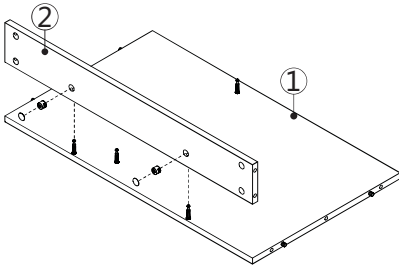
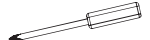


- Refer to the illustration to fix the Slide rails to the board #5 and #10 with screws.

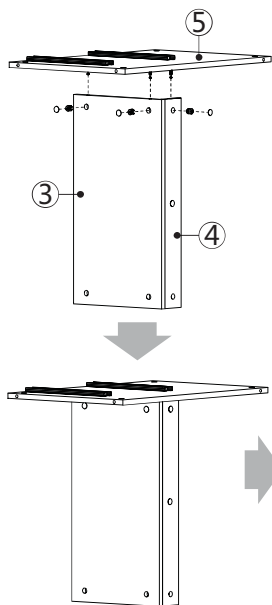
## STEP 4

### HARDWARE LIST

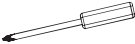
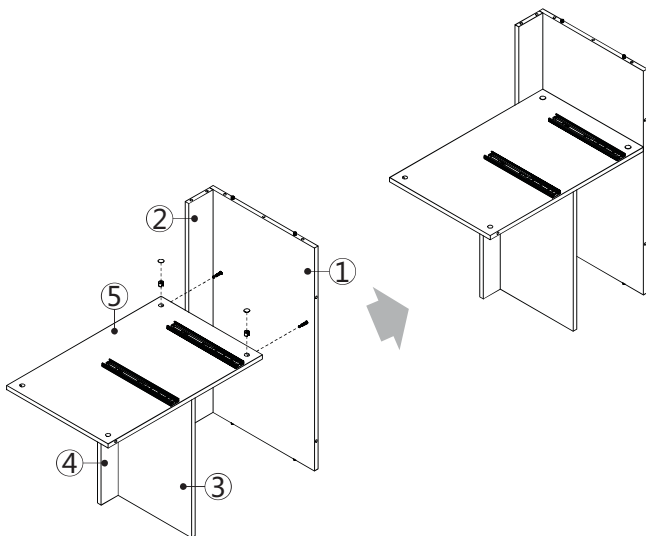
⑰		3 PCS
⑰		3 PCS



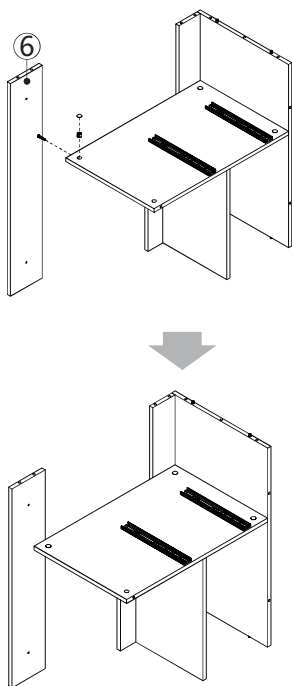
## STEP 5



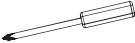
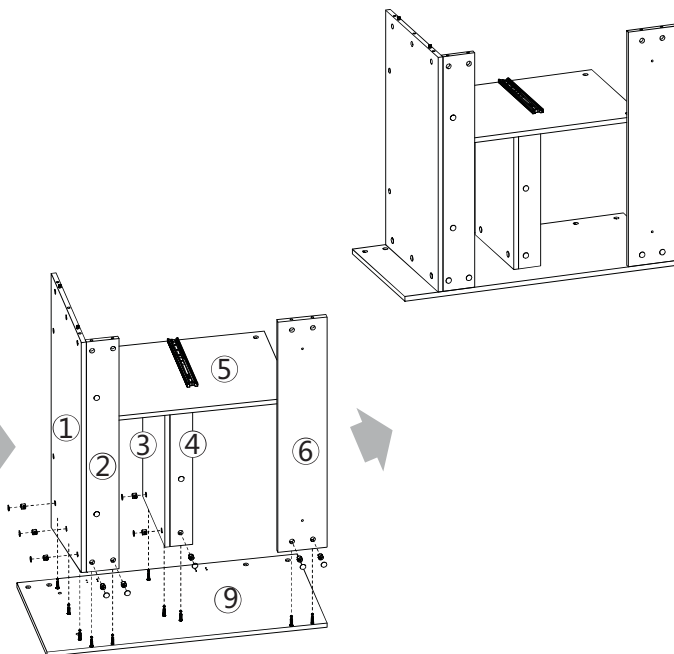
HARDWARE LIST		
17		5PCS
17		5PCS



## STEP 6

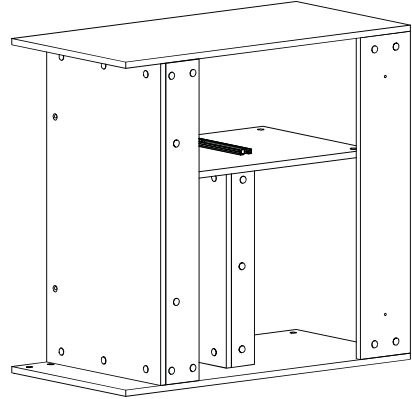
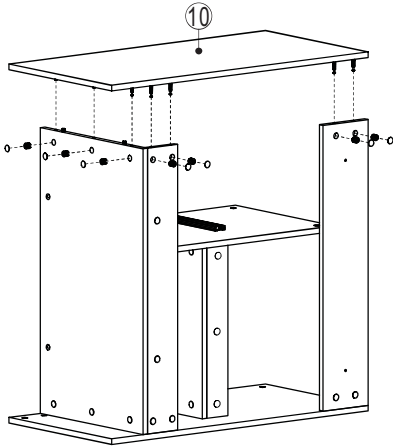
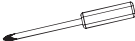


HARDWARE LIST		
17		11PCS
17		11PCS






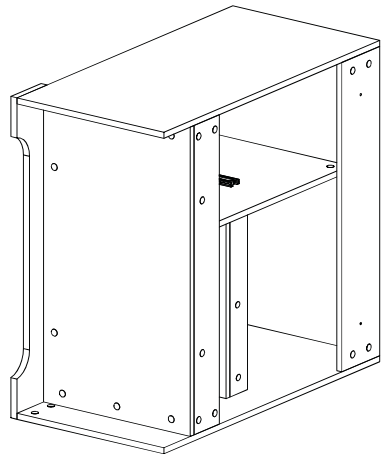
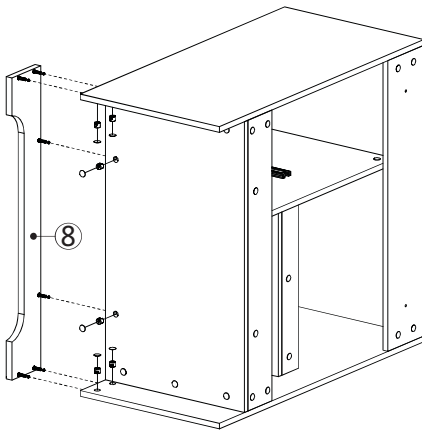

# STEP 7

HARDWARE LIST		
17		7 PCS
17		7 PCS





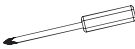
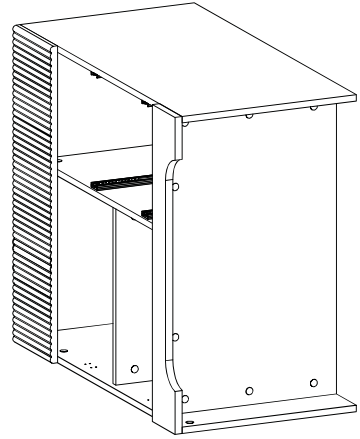
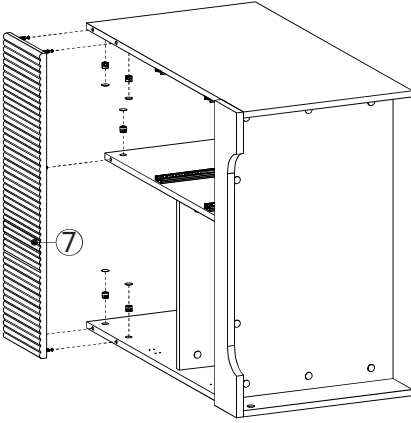
# STEP 8

HARDWARE LIST		
17		6 PCS
17		6 PCS







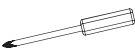
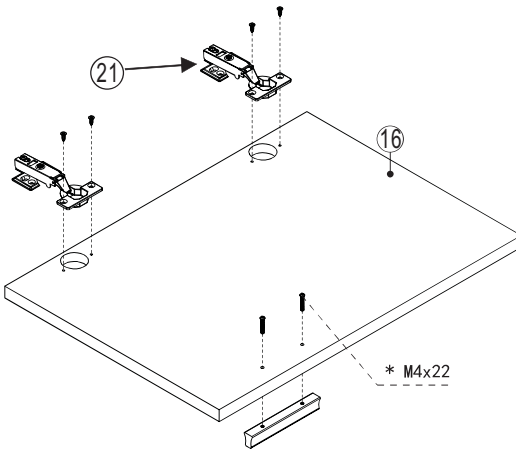
## STEP 9

HARDWARE LIST		
⑰		5 PCS
⑰		5 PCS

## STEP 10

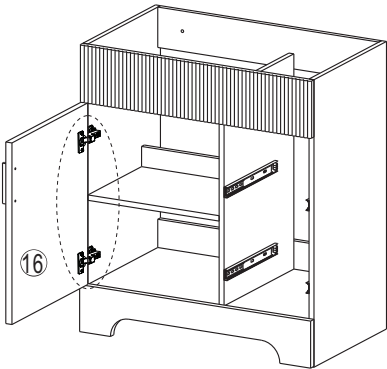
HARDWARE LIST		
⑲		4 PCS
㉑		2 PCS
㉒		1 PCS
㉒		2 PCS

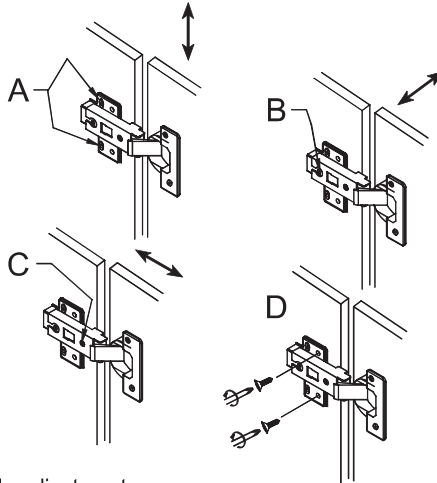
**Note:** see step 10 to adjust the door's position.

- Use ㉒ Screws to install the handle and apply ⑲ Screws to fix the hinge on the shelf #16. Then use ⑲ Screws to connect the hinge bracket to the cabinet. Repeat these steps for the other door.

## STEP 11



HARDWARE LIST		
19		8PCS

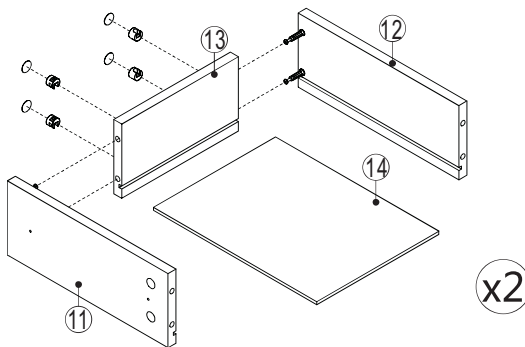


- A.Height adjustment      C.Side to side adjustment  
 B.Depth adjustment      D.After adjustment A/B/C,tighten screws.

● To ensure proper cabinet alignment, refer to the above illustrations for instructions about adjusting the cabinet height, depth and lateral movement.


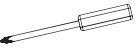

## STEP 12

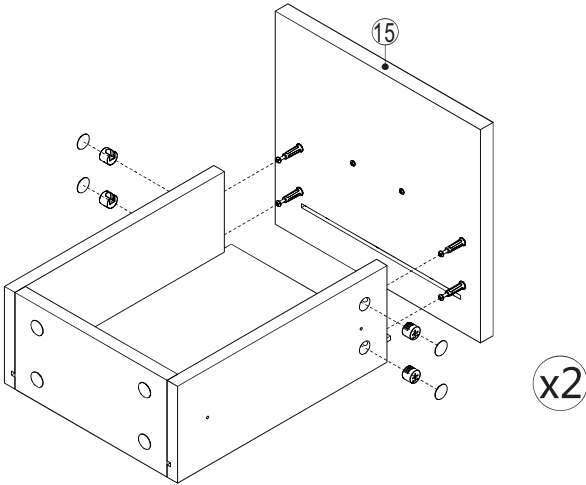
HARDWARE LIST		
17		8PCS
17		8PCS



- Refer to the illustration, Connect the side plate #11, #12 with the back plate #13 with screws. Then insert the plate #14 in to the finished shelf.


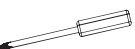



STEP 13

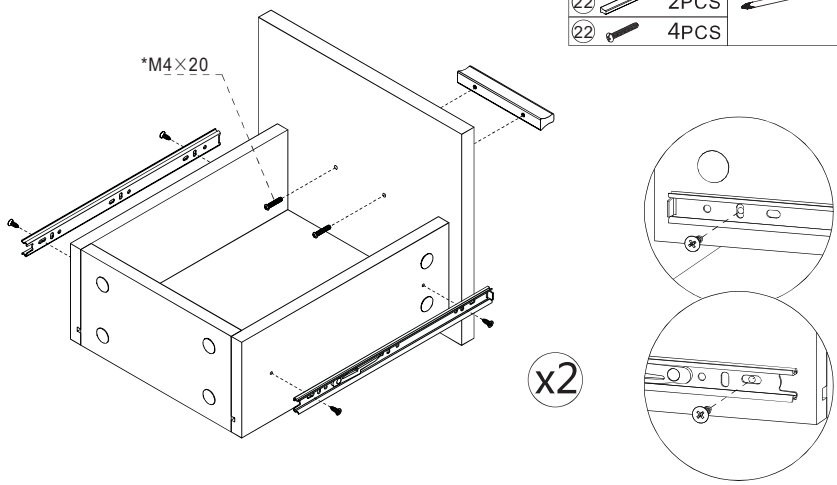
HARDWARE LIST			
⑰		8PCS	
⑰		8PCS	



- Refer to the illustration, Draw the panel # 15 is inserted into the prepared plate, Then tighten the cam lock with the cover.

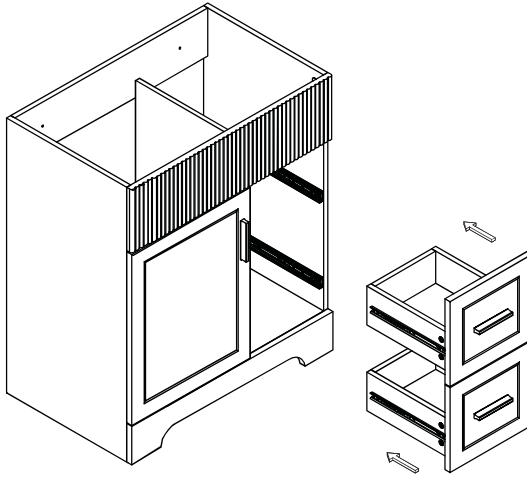
STEP 14

HARDWARE LIST			
⑲		8PCS	
⑳		4PCS	
㉒		2PCS	
㉒		4PCS	



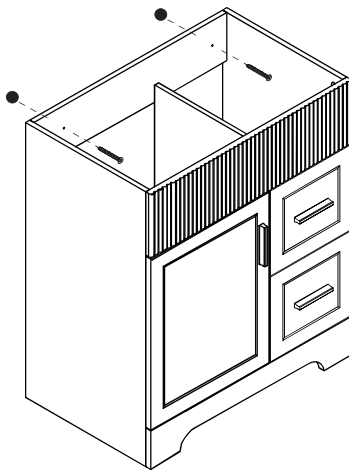
- Refer to the illustration, Apply Screws to fix the slides on the boards # 11, # 12. Use ㉒ Screws to install the handle.

## STEP 15

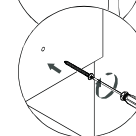
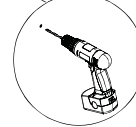
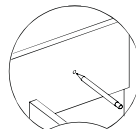
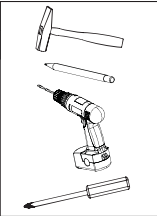


- If the drawers are not in the same level, please adjust the screws in the drawer box.
- Assembled drawers are loaded onto cabinets.

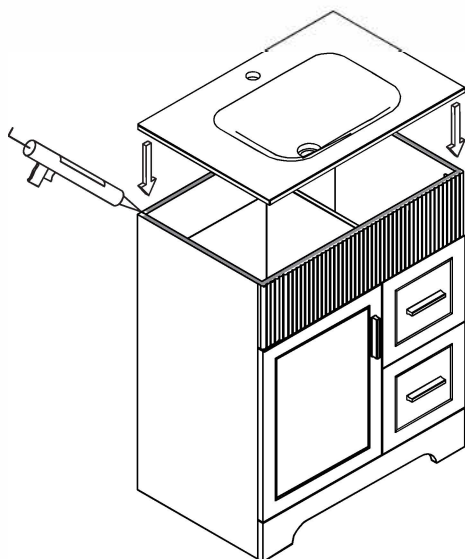
## STEP 16



HARDWARE LIST	
23	2PCS
23	2PCS



- Refer to the illustration, Draw the spacing between the walls on the cabinet, punch holes in the wall, and fix the cabinet to the wall with screws.



**silicone transparent**

## CARE AND CLEANING

1. Many cleansers contain abrasive and chemical substance which is not suitable for cleaning stainless steel, enamel, plating or plastic products. You may use mild cleansers or soaps to clean the surfaces. Wipe any splashes of cleaner solutions from the surface with a clean soft cloth.
2. Maintain ventilation in the bathroom and separate the dry area from the damp one if conditions permit. Try to open the door and windows of the bathroom to maintain adequate ventilation.
3. This cabinet is built to withstand normal bathroom humidity. For best results, keep this vanity dry and take necessary steps to minimize bathroom humidity by opening windows and doors and using the exhaust fan (if available).
4. To maintain the cabinet door, clean and wipe the door regularly with a soft cloth. Wipe condensation with a dry, soft cloth. Keep away from high temperatures.
5. Please do not sit, lean or step on the basin cabinet.



Thank you very much for purchasing from us.

We have always been trying to provide the best service and reliable products for every customer.

We sincerely hope you will be satisfied with our products and leave us FIVE STARS and POSITIVE feedback/review in our page.

However, accident may happen sometimes, please contact us to resolve any issue before leaving a negative feedback.

Many thanks and welcome to our shop again!