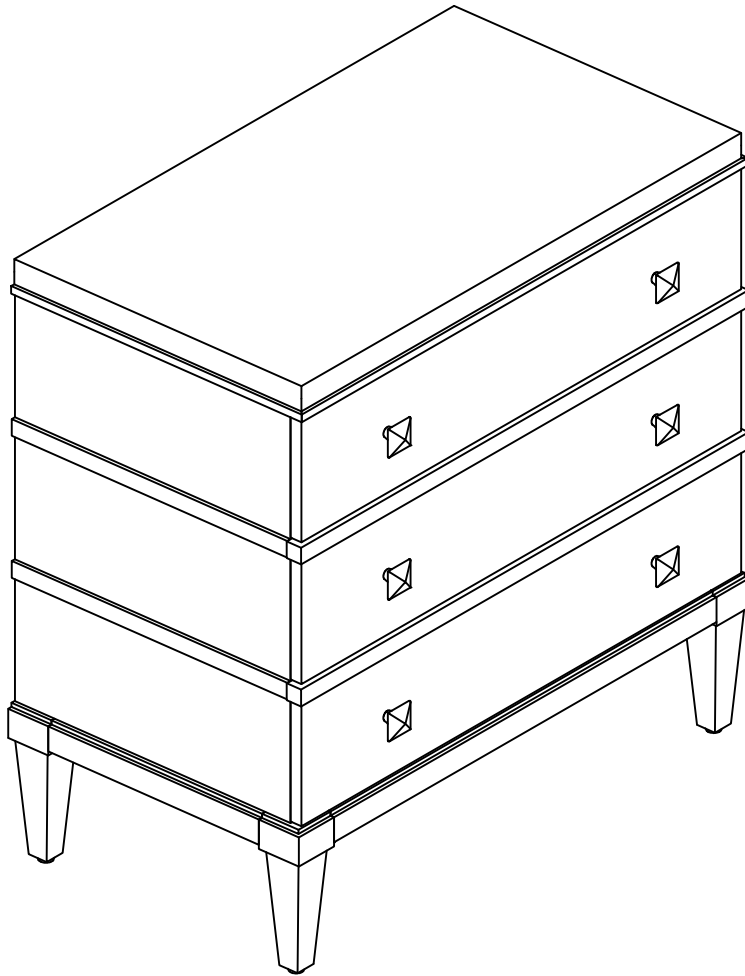


# Owner Manual



---

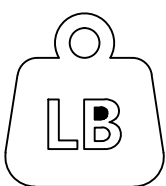
## NOTE:

This brochure contains IMPORTANT safety info. Please read and keep for future reference.

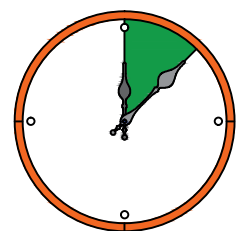
---

# MAINTENANCE AND WARNING

- 1.Keep furniture away from heat sources.
- 2.Do not clean furniture with harsh cleaner or polishes.Do not use detergents,solvents,abrasives,spray packs or leather cleaner. Use non-color mild soa with warm water to clean spills(Mix 1:10 soap to water).
- 3.Do not place furniture under direct sunlight,material will possibly fade over time.
- 4.Do not use on site dry cleaning machine.Children should not climb or jump on the furniture.
- 5.Do not write on furniture that is not protectedby a padded barrier.
- 6.Not for commercial use,only for residential use.

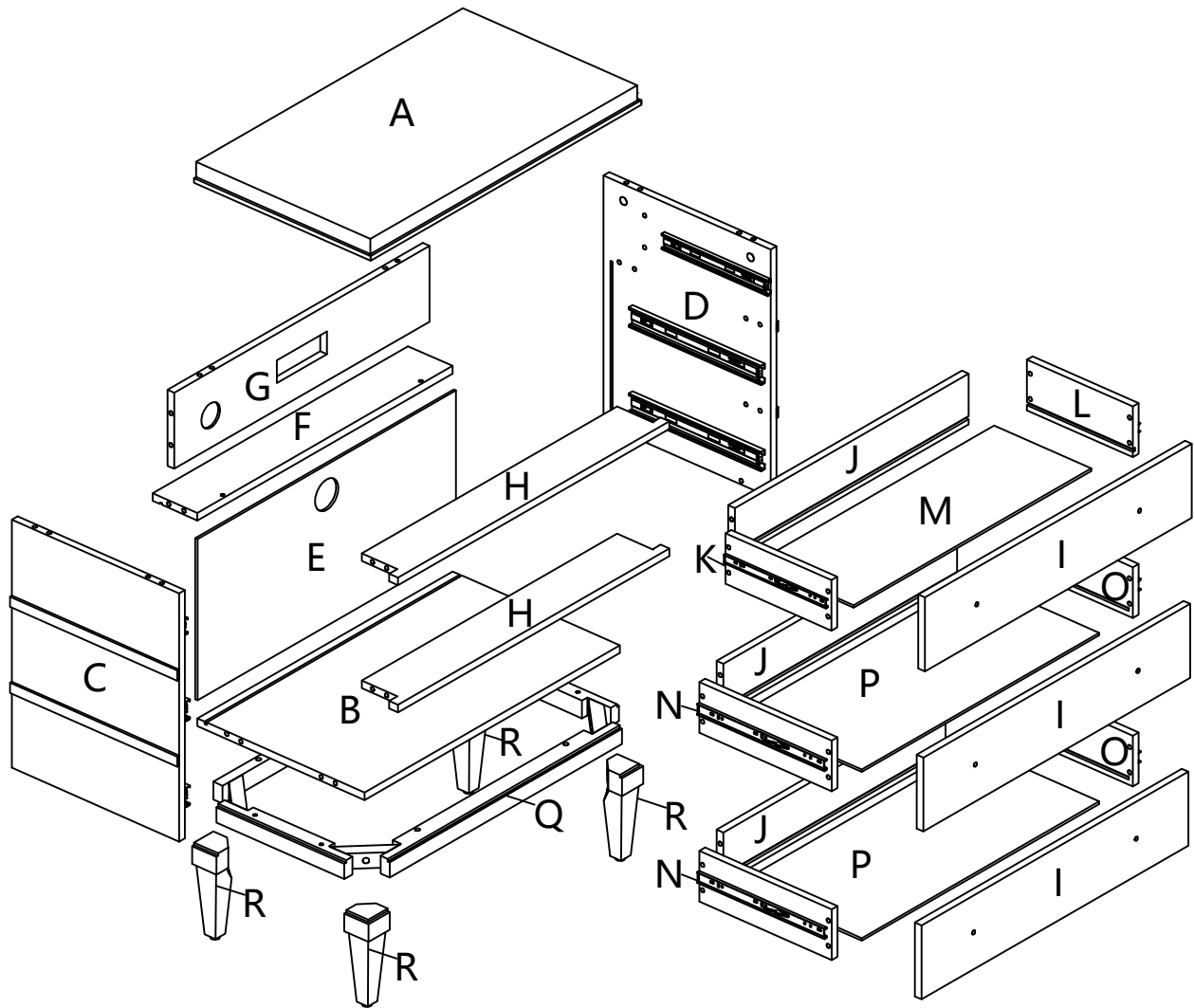


Weight Limitation  
**80 LBS**



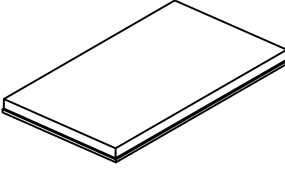
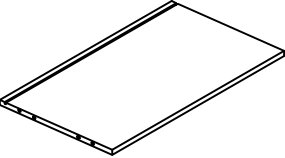
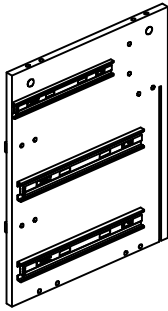
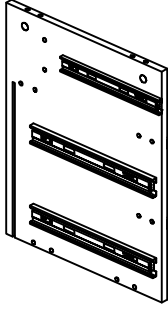
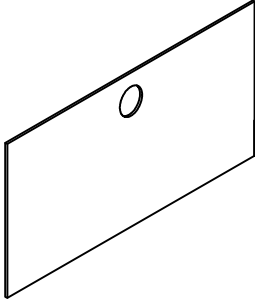
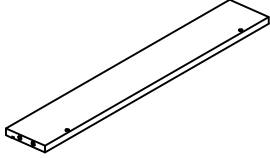
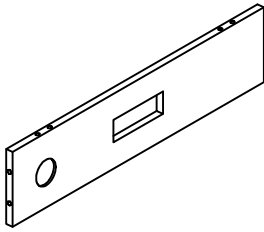
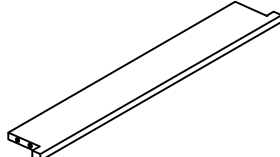
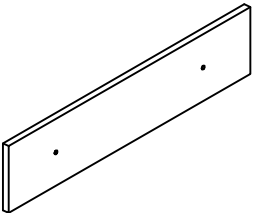
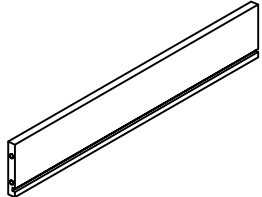
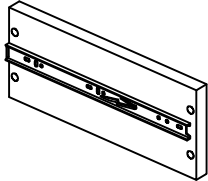
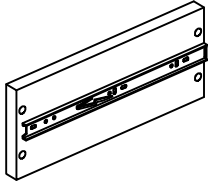
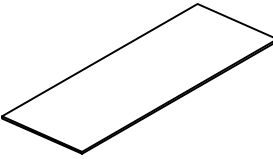
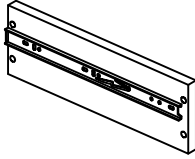
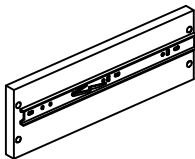
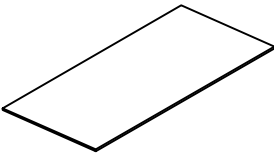
Around **45 min**

# EXPLOSIVE VIEW

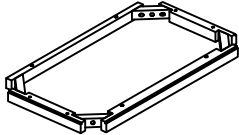



## OVERVIEW

# PARTS LIST 1

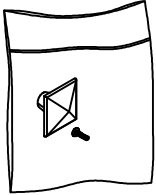

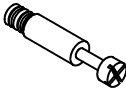




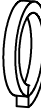


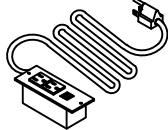

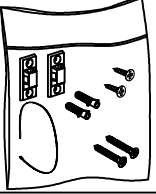
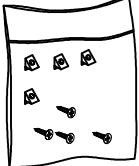

A	x1	B	x1	C	x1	D	x1
							
E	x1	F	x1	G	x1	H	x2
							
I	x3	J	x3	K	x1	L	x1
							
M	x1	N	x2	O	x2	P	x2
							

# PARTS LIST 2

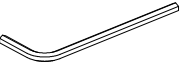

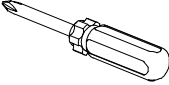
Q	x1
	

R	x4
	


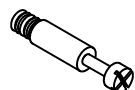








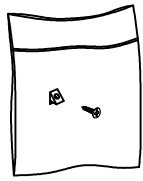
# HARDWARE LIST

#1	x6	#2	x36	#3	x14	#4	x14	#5	x6	#6	x4
											
		8*30MM				∅15*12.5MM		M6*50MM		M6*30mm	
#7	x4	#8	x4	#9	x4	#10	x2	#11	x1	#12	x24
											
M8*50mm						#8*5/8				∅8*1-1/2 "	
#13	x2	#14	x4	#15	x1						
											

# TOOL LIST

#16	x1	#17	x1	#18	x1
					
M6		M8			

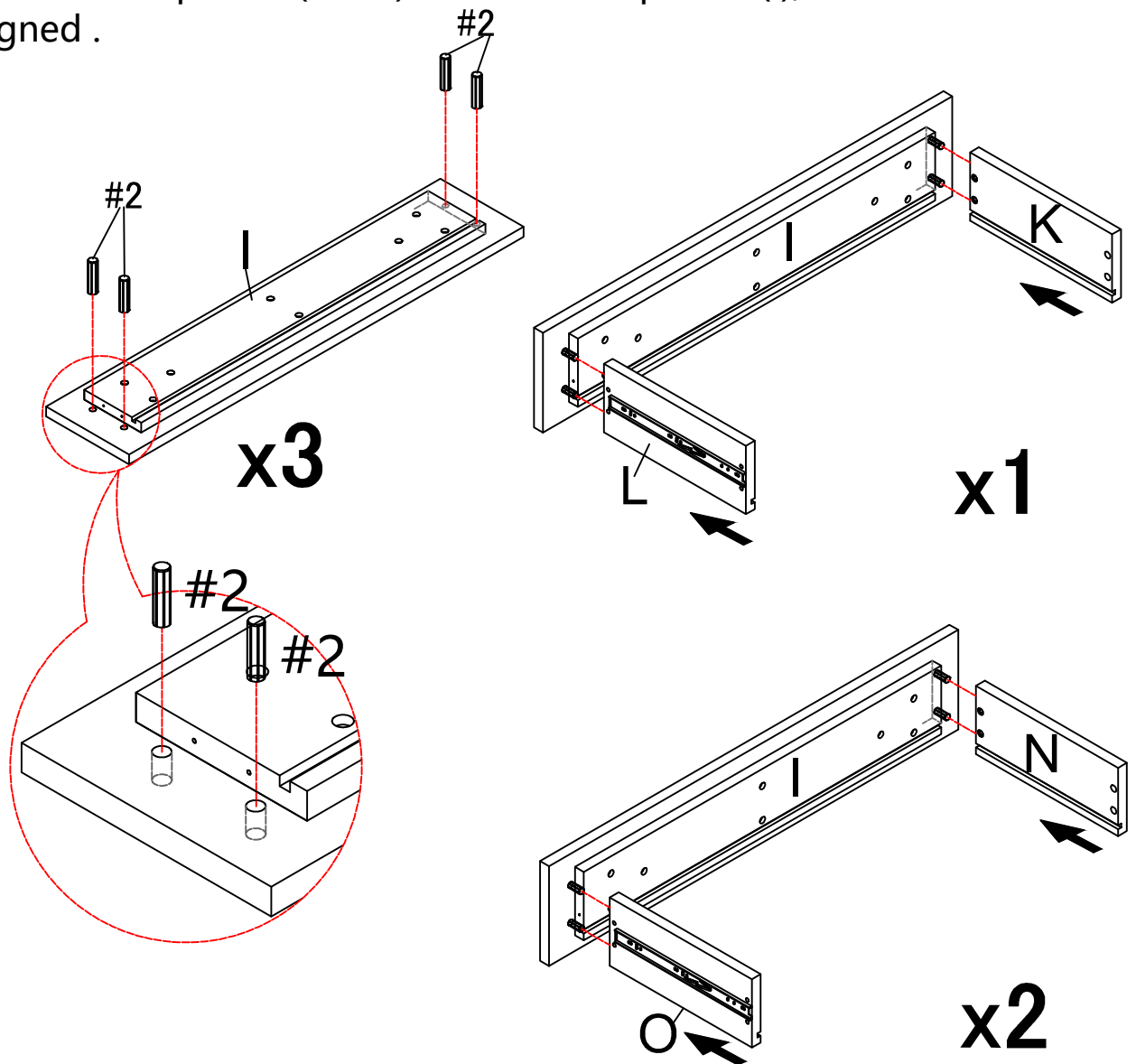
# HARDWARE SPARE LIST


#2	x3	#3	x1	#4	x1	#5	x1	#6	x1	#7	x1
											
8*30MM				Ø15*12.5MM		M6*50MM		M6*30mm		M8*50mm	
#8	x1	#9	x1	#10	x1	#12	x2	#14	x1		
											
				#8*5/8		Ø8*1-1/2 "					

# ASSEMBLY INSTRUCTIONS

## STEP-1

1. insert wood dowel #2 by hand into the corresponding hole in the panel (I)
2. insert the panels (L&K) into the side panels (I),make sure all holes aligned .
3. insert the panels (O&N) into the side panels (I),make sure all holes aligned .



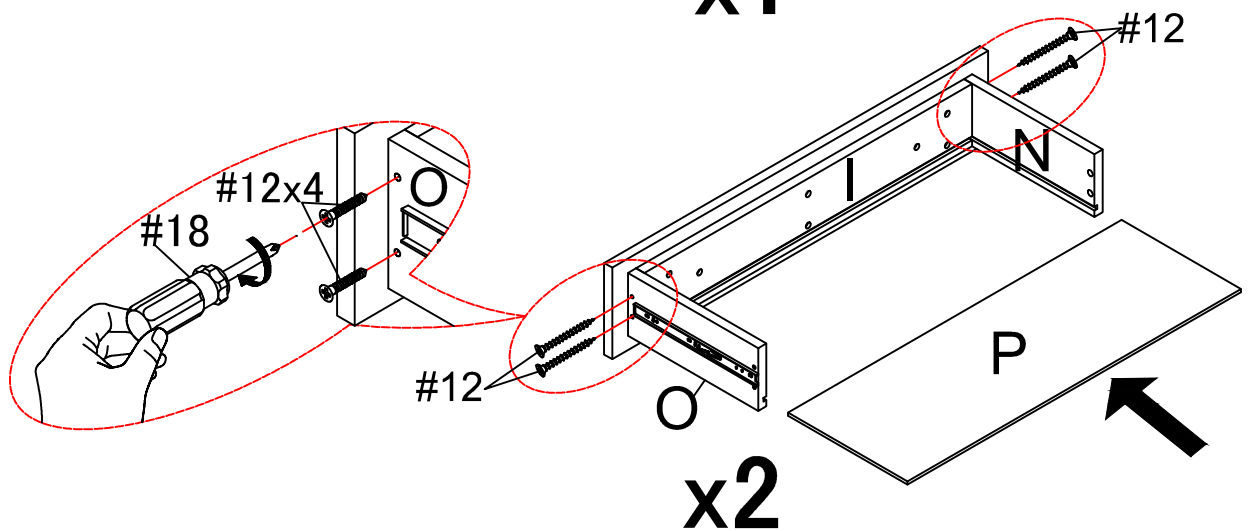
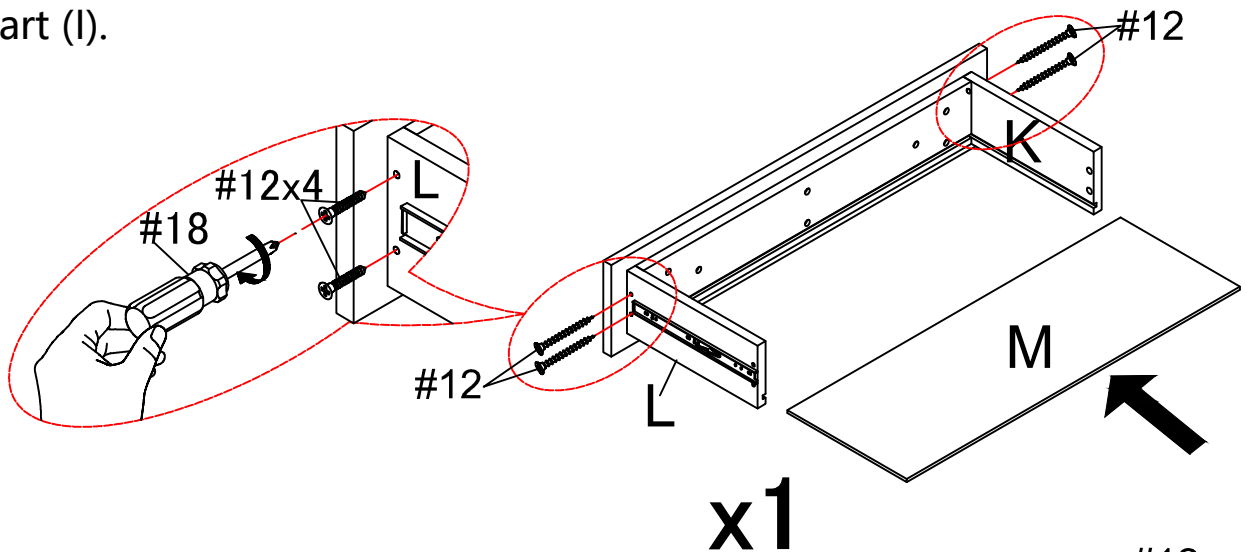
#2	x12
	
8*30MM	


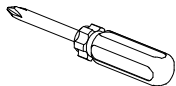
# ASSEMBLY INSTRUCTIONS

## STEP-2

1. Use screw #12 to attach drawer side (K) & (L) to drawer front (I), tighten screw #12 with screwdriver #18, and slide in the part (M) into the groove in part (K) & (L). make sure they are also in groove in part (I).

2. Use screw #12 to attach drawer side (N) & (O) to drawer front (I), tighten screw #12 with screwdriver #18, and slide in the part (P) into the groove in part (N) & (O). make sure they are also in groove in part (I).

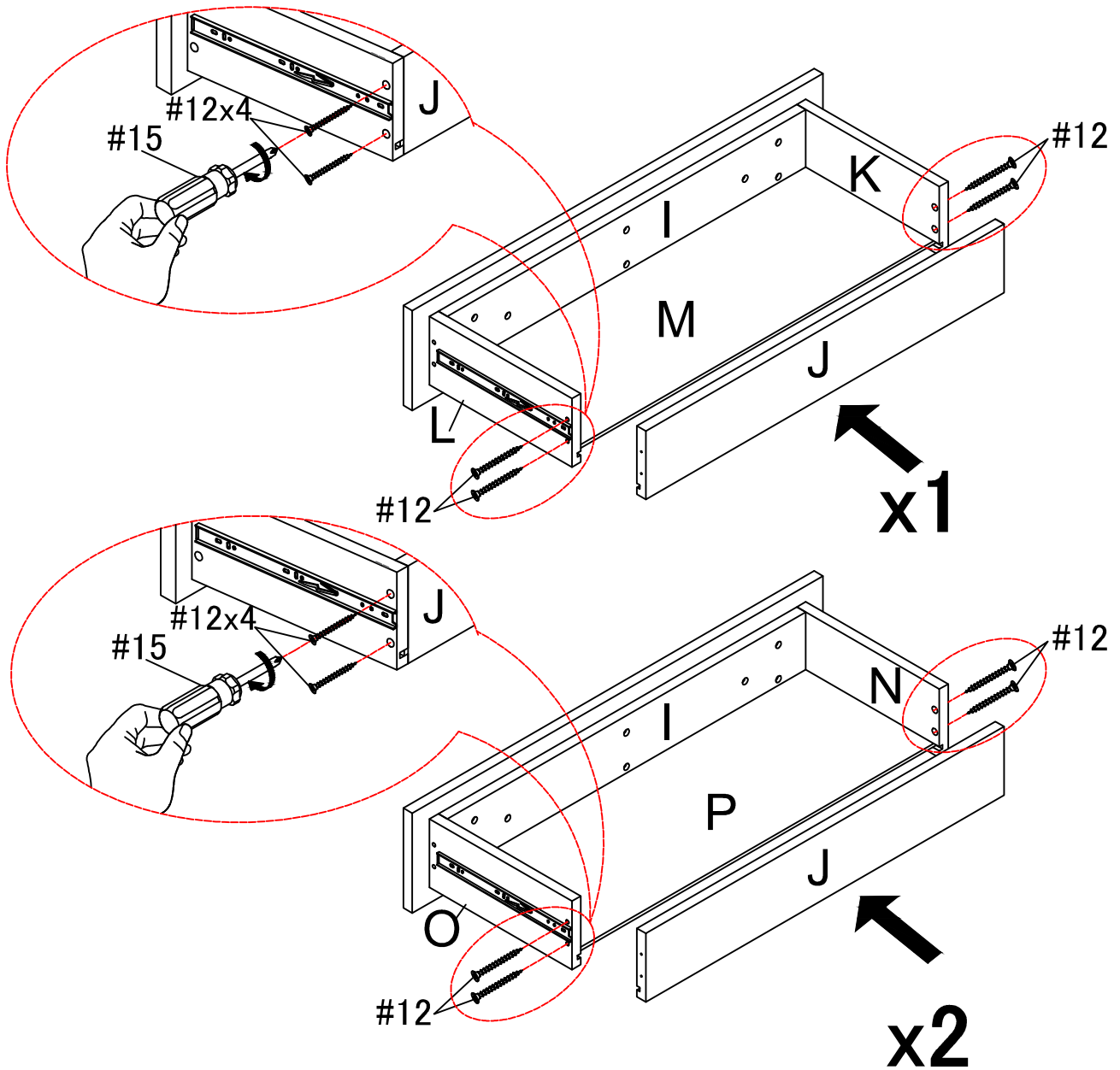



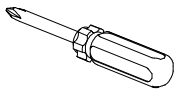
#12 x12	#18 x1
	
φ8*1-1/2"	

# ASSEMBLY INSTRUCTIONS

## STEP-3

Insert drawer back (J) into preassembly step 2 , make sure all holes aligned and insert screw #12 into the corresponding hole of drawer side panel(K)&(L)&(N)&(O) , tighten screw #12 with screwdriver #18.

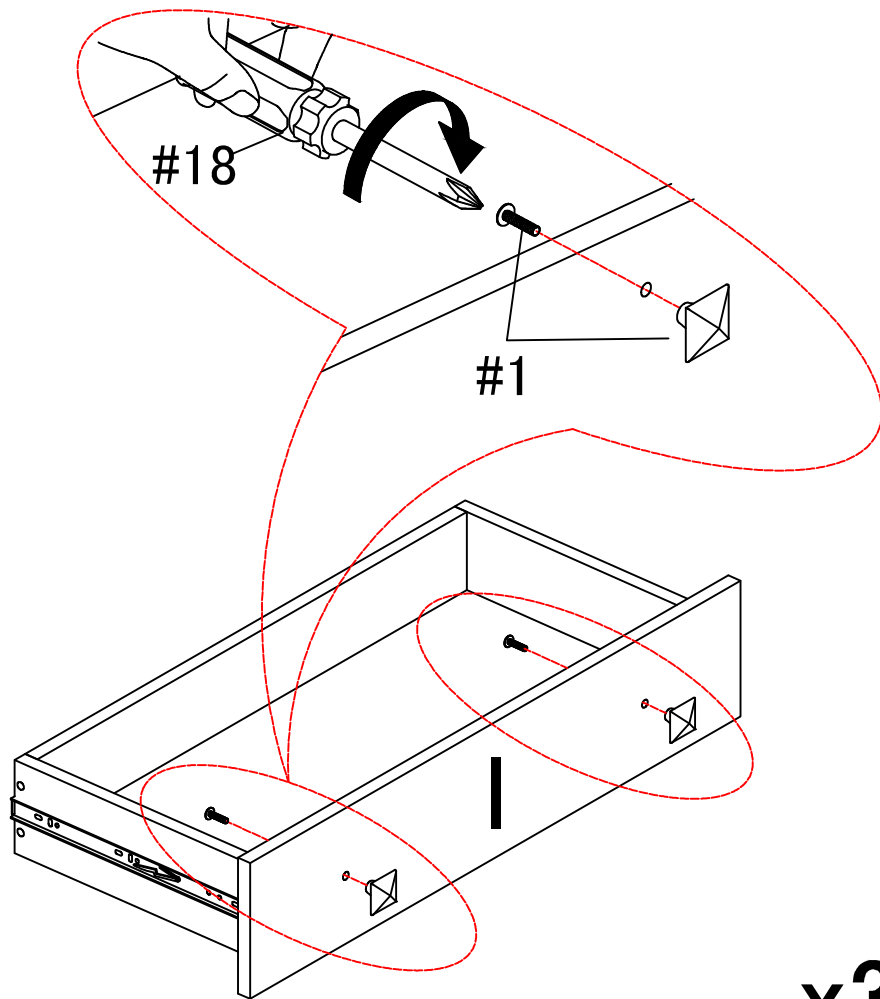


#12	x12	#18	x1
			
ø8*1-1/2 "			

# ASSEMBLY INSTRUCTIONS

## STEP-4

Use bolt #1 to attach handle #1 to drawer front(l), tighten bolts #1 with screwdriver #18.



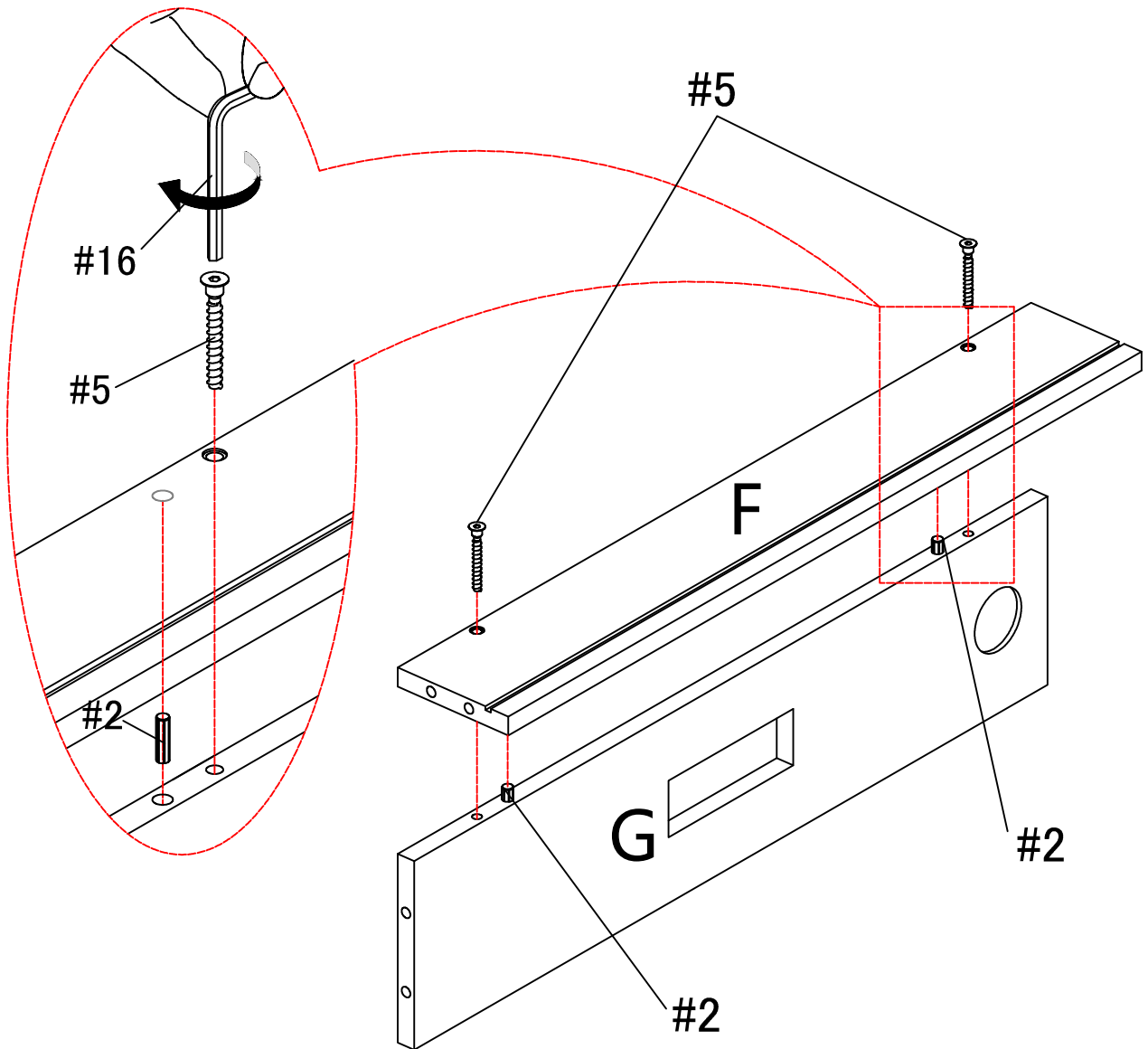
**x3**




#1	x6	#18	x1

# ASSEMBLY INSTRUCTIONS

## STEP-5

Align the holes in part (F) with the holes in part (G), insert wood dowel #2 by hand, and tighten screw #5 with an Allen wrench #16.

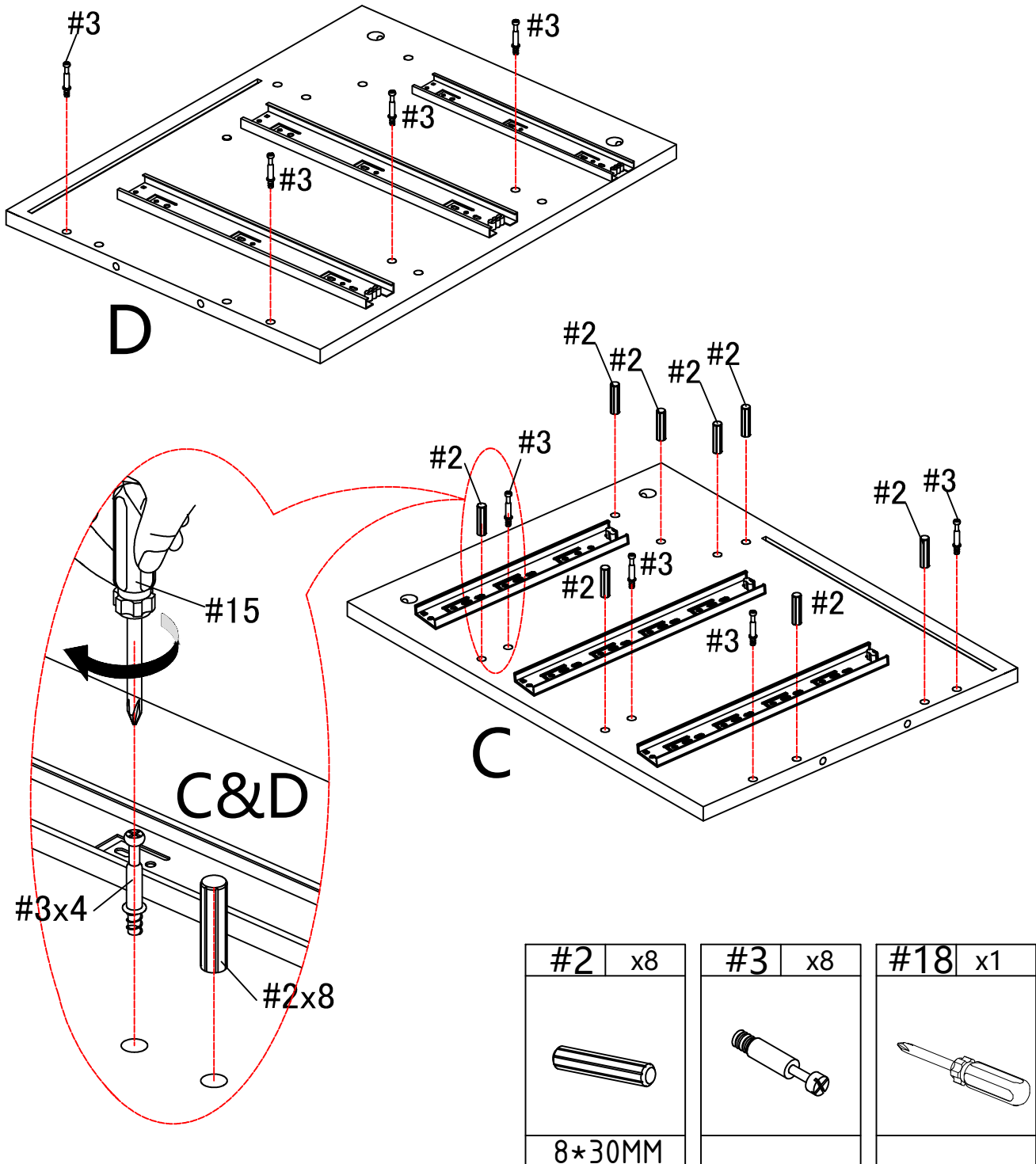


#2	x2	#5	x2	#16	x1
					
8*30MM		M6x50MM		M6	

# ASSEMBLY INSTRUCTIONS

## STEP-6

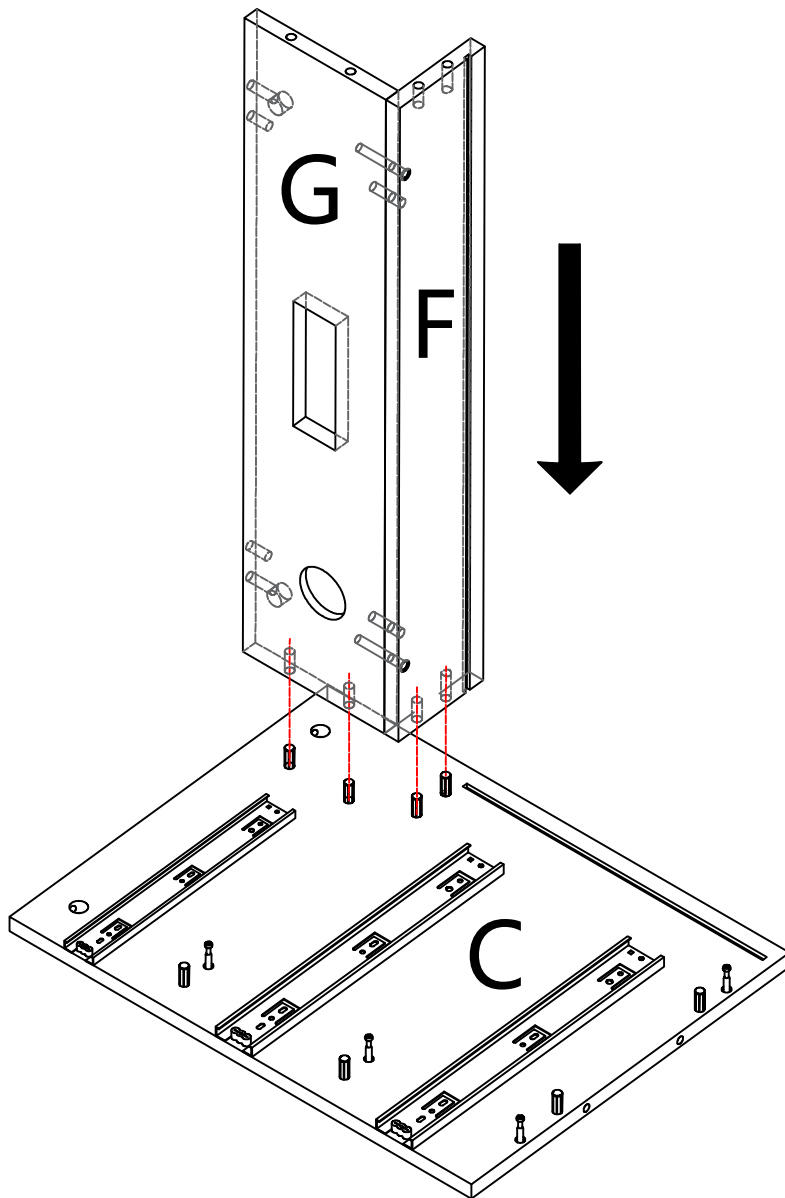
Insert wood dowel #2 by hand, insert bolt #3 into the corresponding hole in the side plate (C&D), and tighten bolt #3 with a #18 screwdriver.



# ASSEMBLY INSTRUCTIONS

## STEP-7

Insert the panels (G&F) into the side panels (C),make sure all holes aligned .

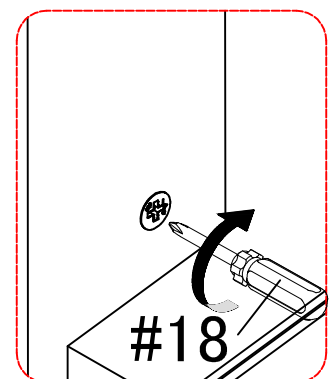
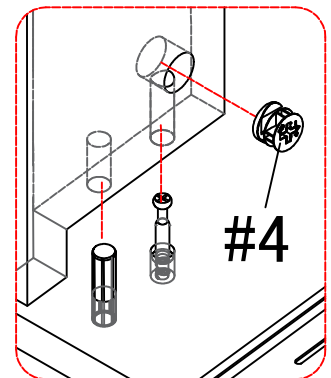
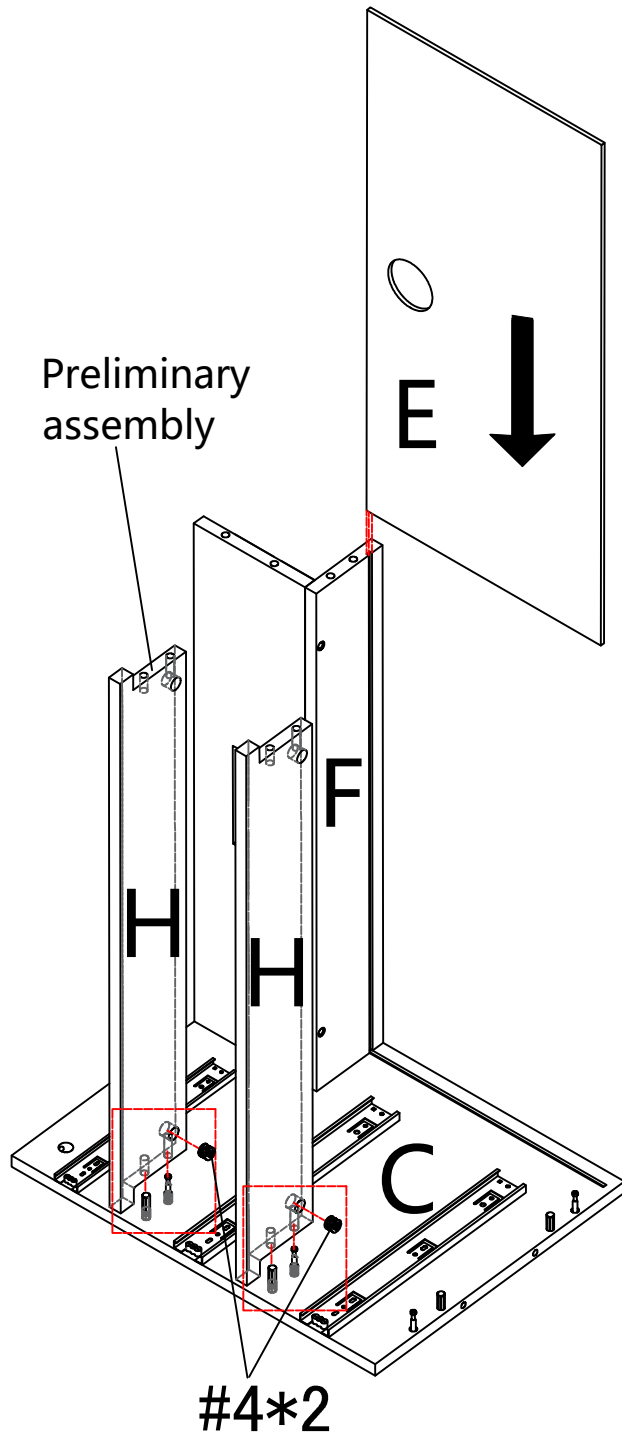



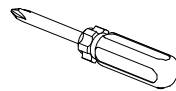
# ASSEMBLY INSTRUCTIONS

## STEP-8

Insert the panels (H) into the side panels (C), make sure all holes aligned and insert cam bolt #4 into the corresponding hole of panel (H), tighten cam bolt #4 with screwdriver #18.

Slide in the part (E) into the groove in part (C). make sure they are also in groove in part (F).

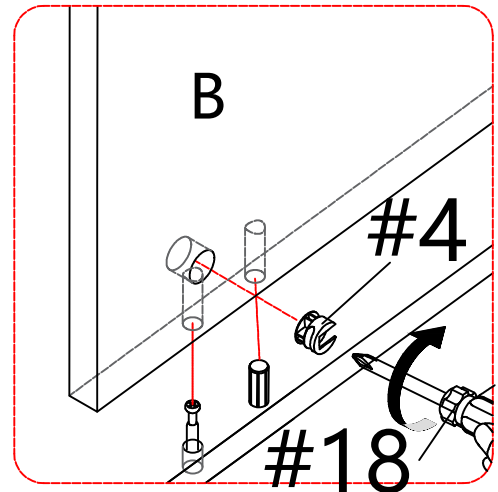
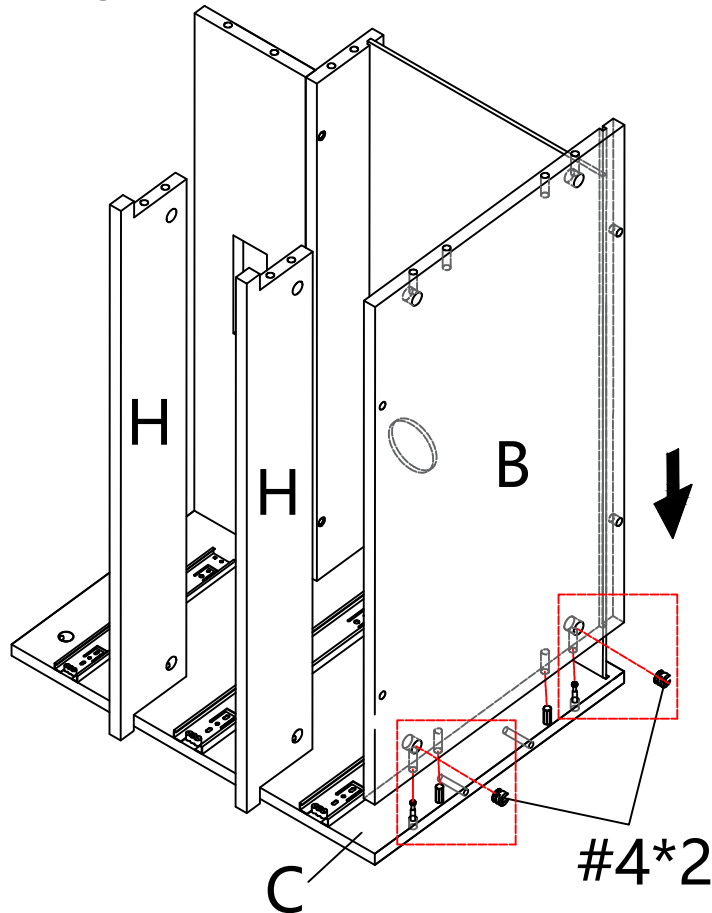



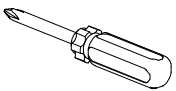
#4	x2	#18	x1
			
ø15*12.5MM			

# ASSEMBLY INSTRUCTIONS

## STEP-9

Insert the panels (B) into the side panels (C&E), make sure all holes aligned and insert cam bolt #4 into the corresponding hole of panel (B), tighten cam bolt #4 with screwdriver #18.



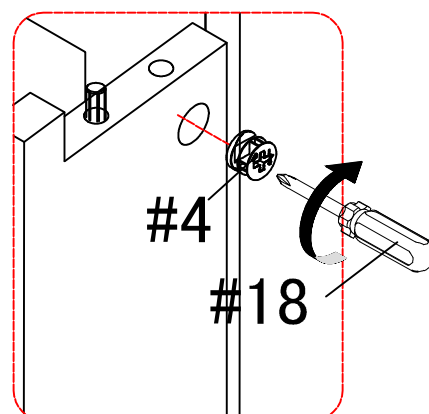
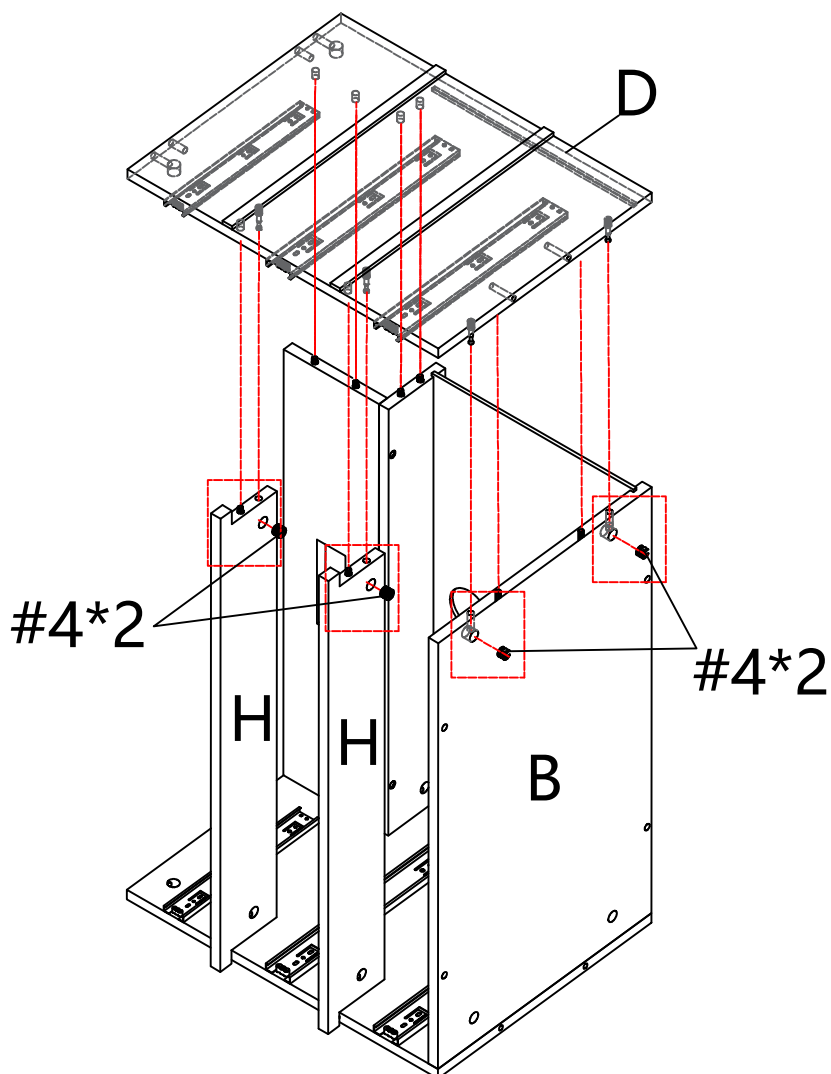
#4	x2	#18	x1
			
Ø15*12.5MM			


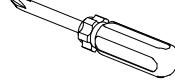


# ASSEMBLY INSTRUCTIONS

## STEP-11

1. Attach part D to the unit preassembled in step 10. Aligning the holes on the components.
2. Insert cam bolt #4 into the corresponding hole in the panel (B&E&H). Then, use a No. 18 screwdriver to tighten cam bolt #4.

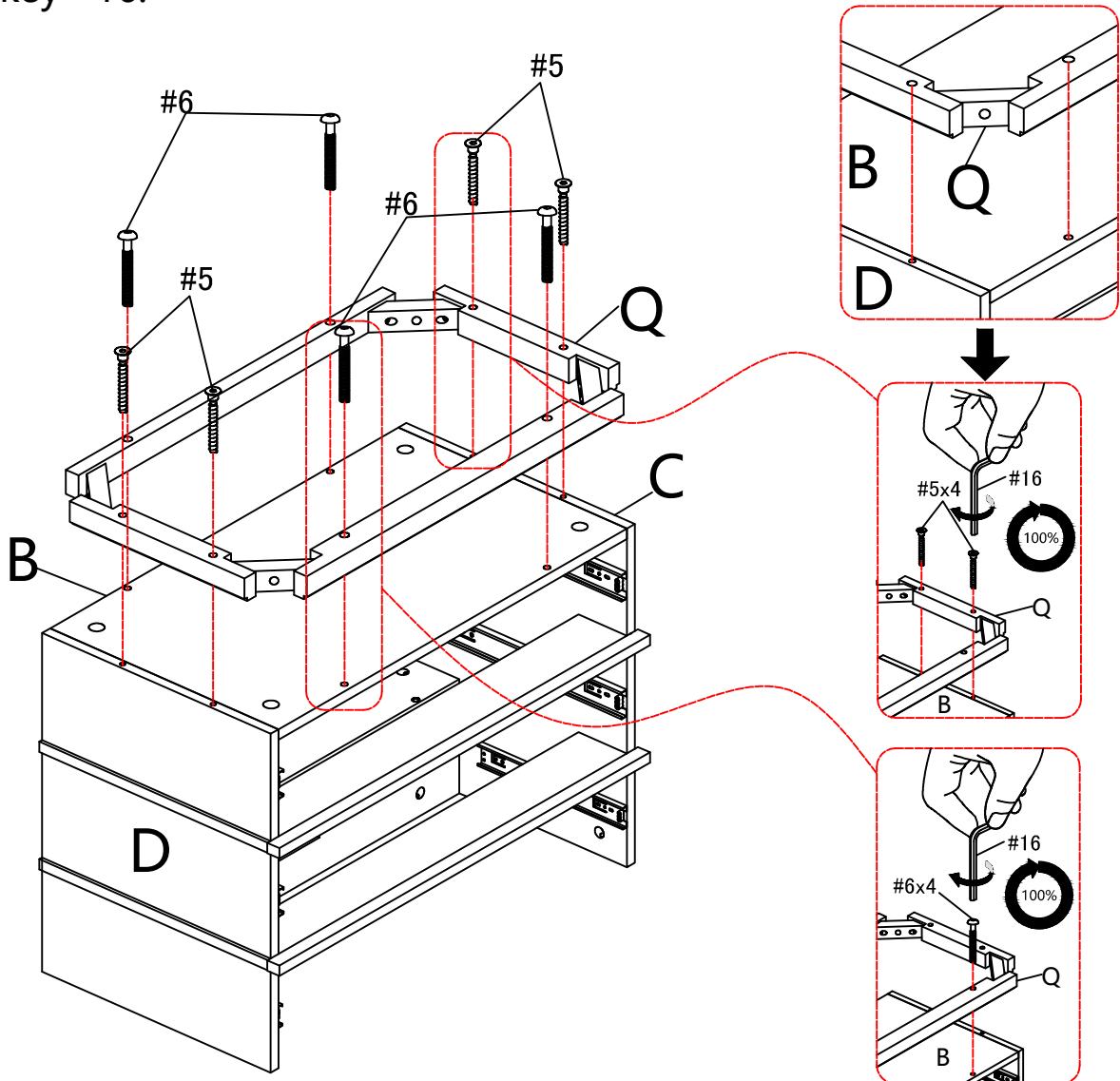





#4	x4	#18	x1
			
ø15*12.5MM			

# ASSEMBLY INSTRUCTIONS

## STEP-12

1. Connect the leg frame to the cabinet. Align the hole in the leg frame part (Q) to the hole in the part (B&C&D), tighten bolt #5 with allen key #16.
2. Connect the leg frame to the cabinet. Align the hole in the leg frame part (Q) to the hole in the part (B&C&D), tighten bolt #6 with allen key #16.

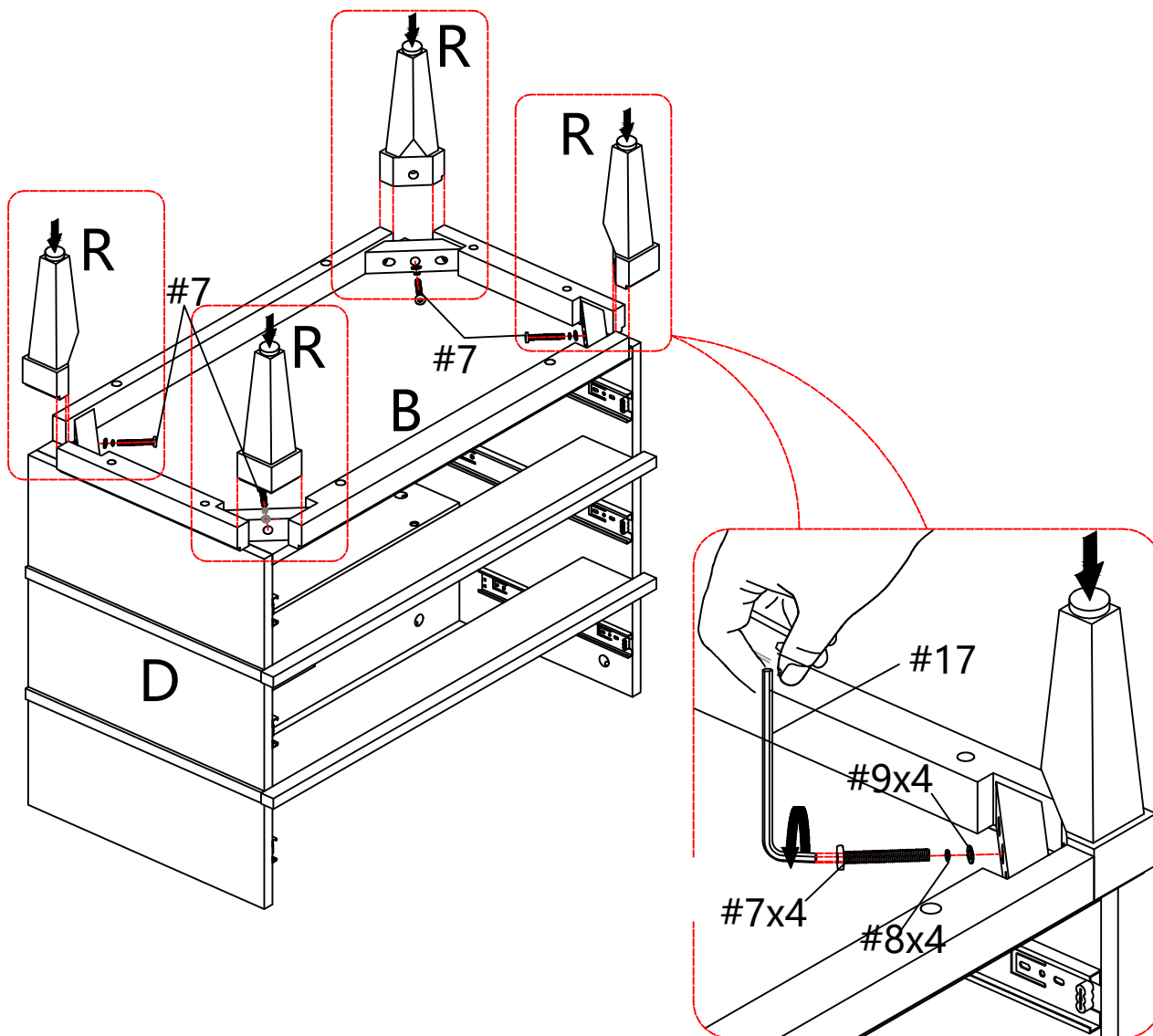






#5	x4	#6	x4	#16	x1
					
M6x50MM		M6x30mm		M6	

# ASSEMBLY INSTRUCTIONS

## STEP-13

Insert gasket #8 and #9 in sequence into screw #7, install leg R on of bottom frame (Q), ensure the corresponding holes are aligned and fix with screw #7, then tighten the screw with an Allen key 17.

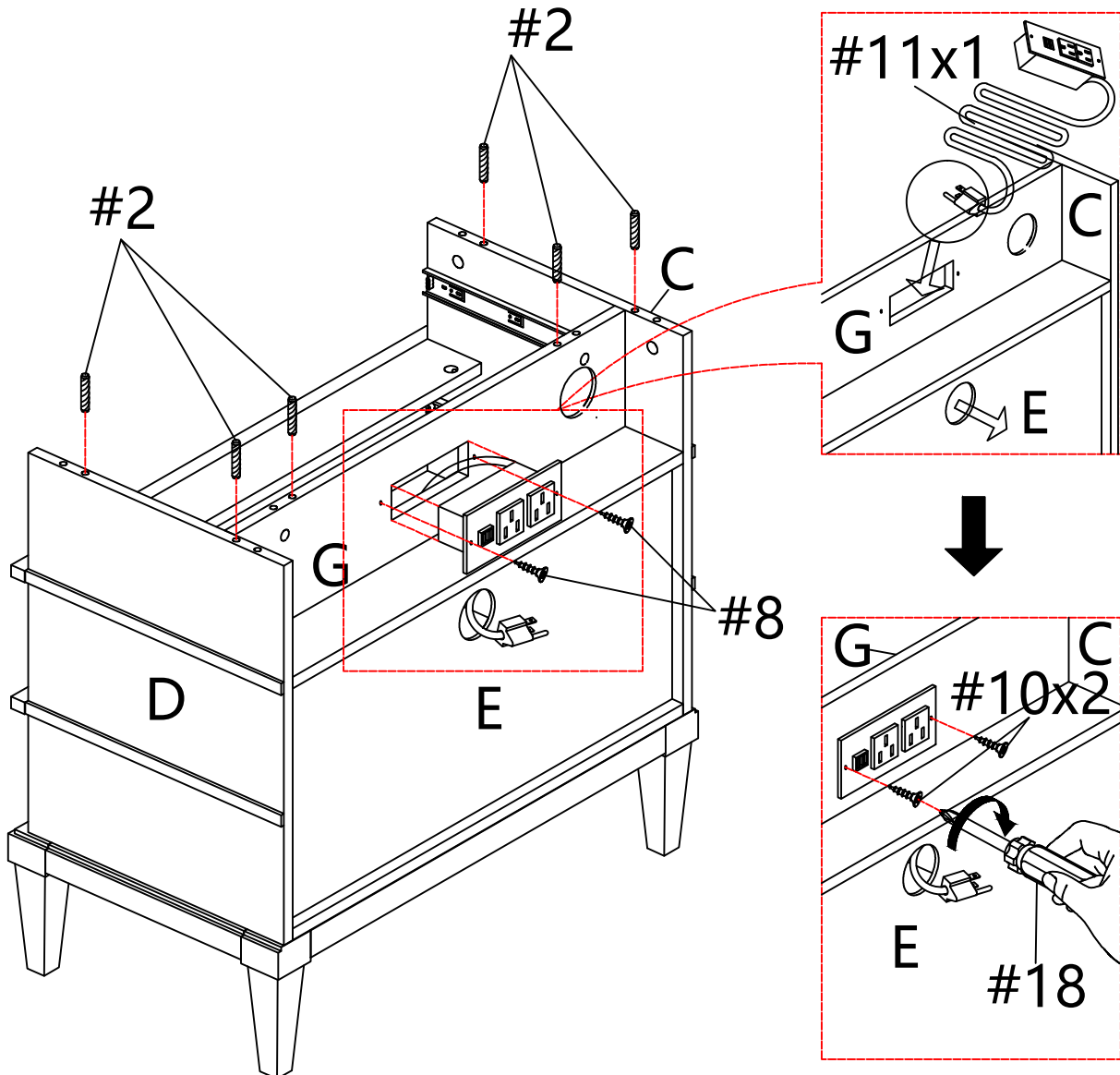




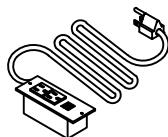
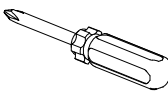
#8	x4	#9	x4	#7	x4	#17	x1
							
				M8x50mm		M8	

# ASSEMBLY INSTRUCTIONS

## STEP-14

Insert wooden pin #2 to side panel (C&D&G) by hand. Connect socket #11 to part G using screw #10. and tighten it with screwdriver #18.

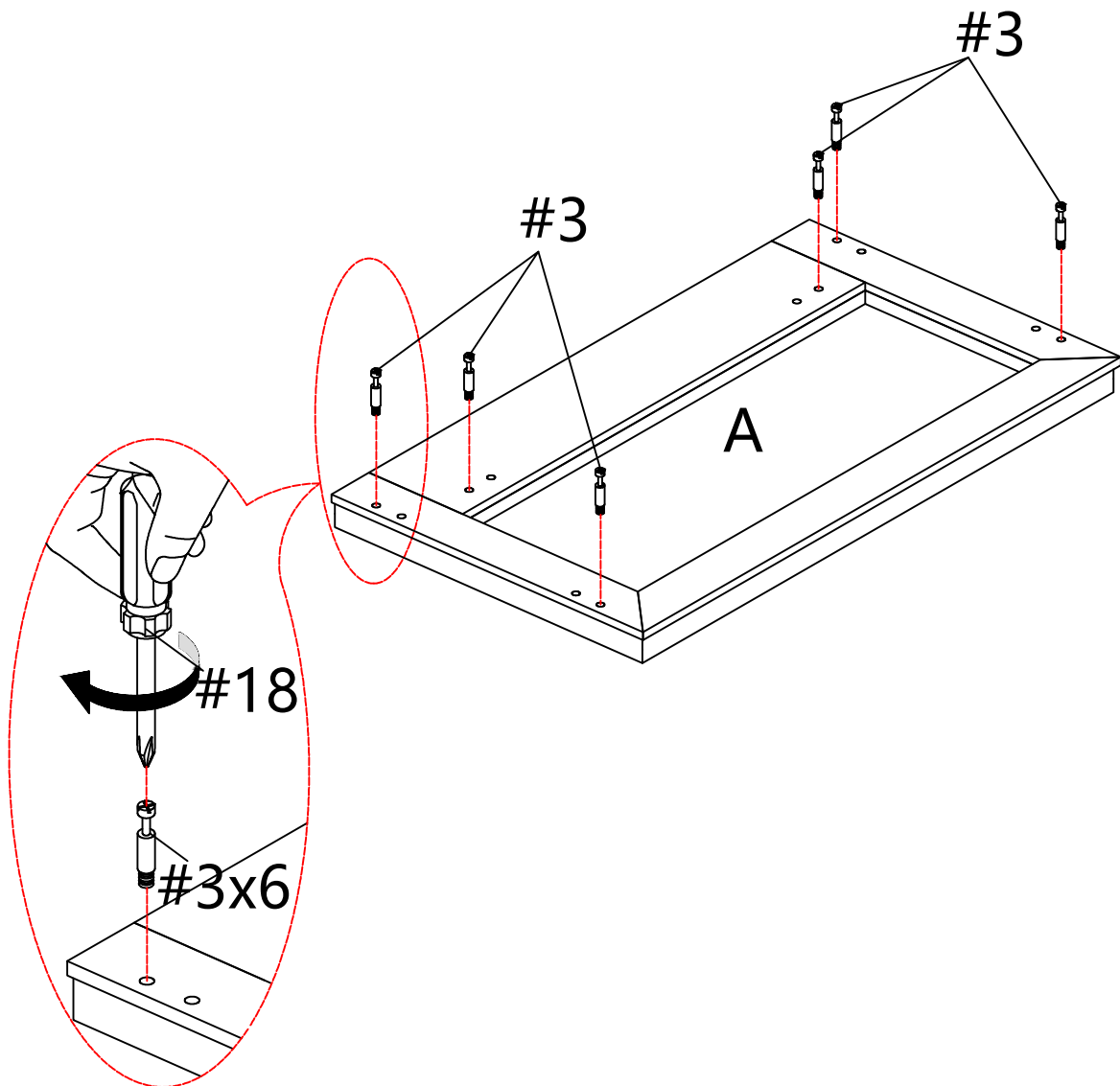


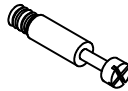
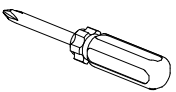
#2	x6	#10	x2	#11	x1	#18	x1
							
8*30MM		#8*5/8MM					

# ASSEMBLY INSTRUCTIONS

## STEP-15

Insert bolt #3 into the corresponding hole of top panel (A), tighten bolt #3 with screwdriver #18.

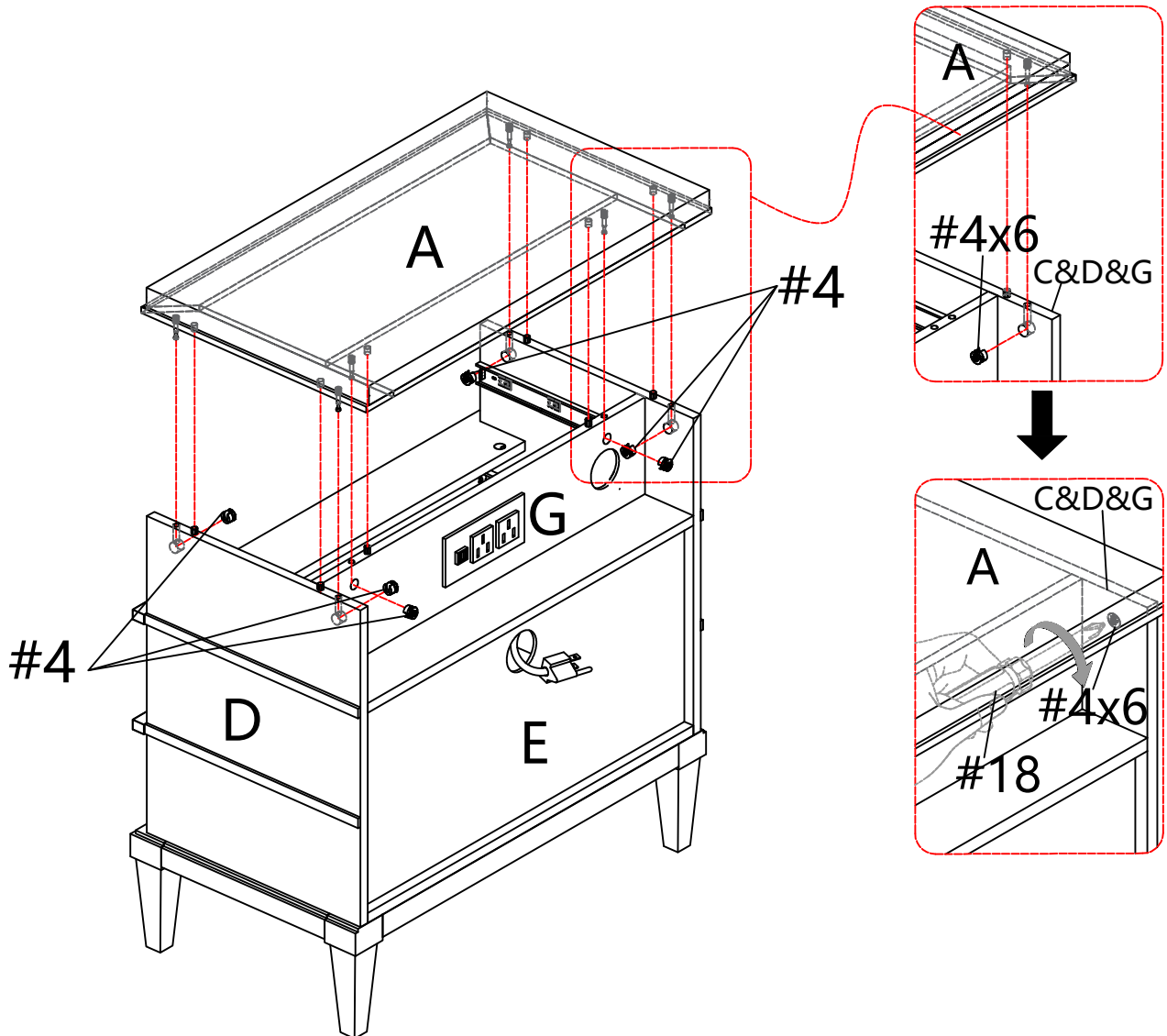



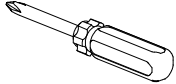
#3	x6	#18	x1
			

# ASSEMBLY INSTRUCTIONS

## STEP-16

Insert top panel (A) into the preassemble unit at step 15, make sure all holes aligned, and then insert cam bolt #4 into the corresponding hole of side panel (C)&(D)&(G), tighten cam bolt #4 with screwdriver #18.



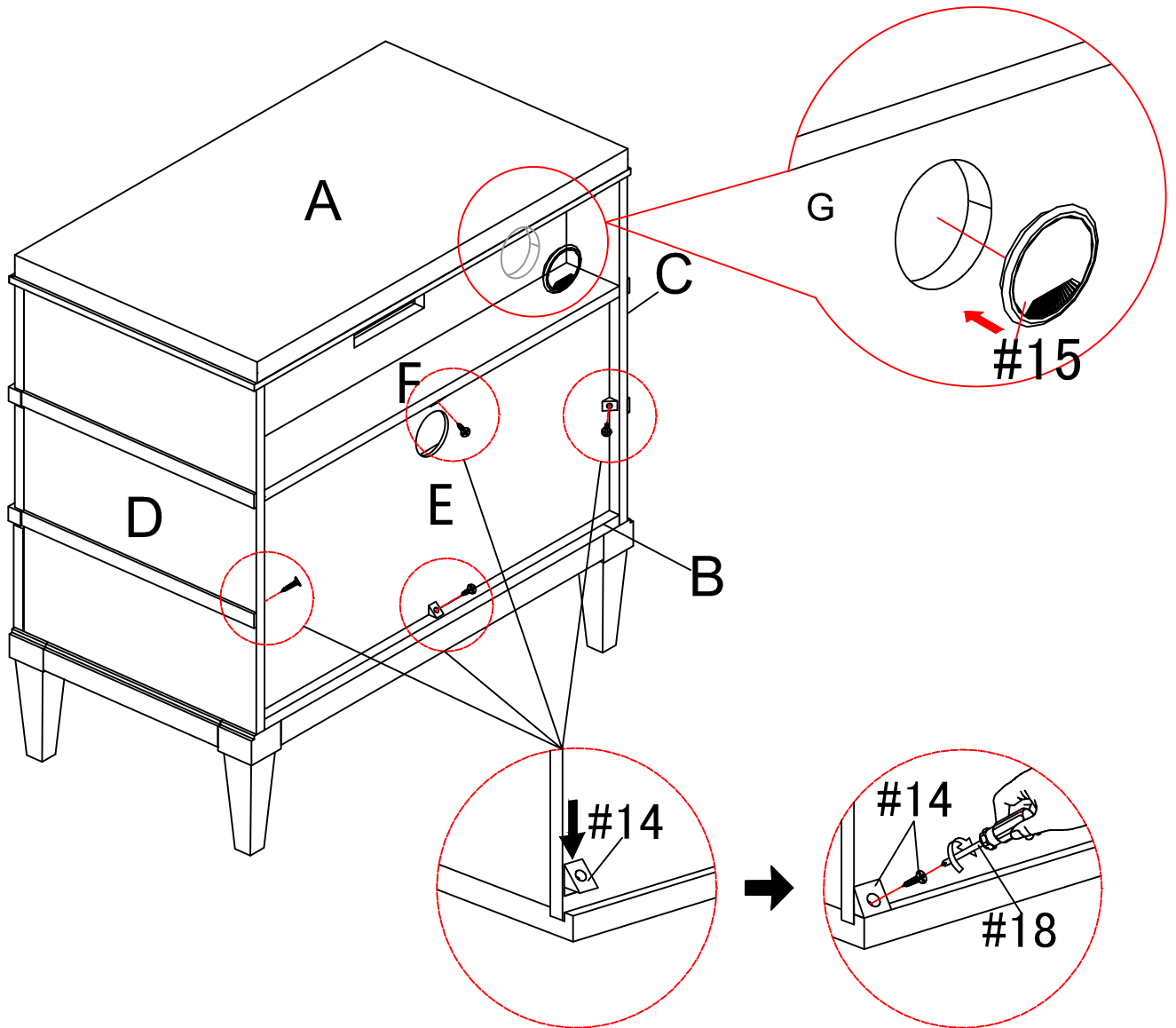
#4	x6	#18	x1
			
Ø15*12.5MM			


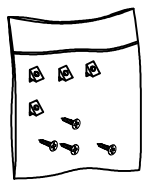
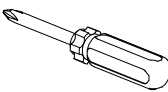
# ASSEMBLY INSTRUCTIONS

## STEP-17

Attach the rear panel (E) to the front panel (F), side panels (D)&(C) and base panel (B) using screw #10 and plastic part #14, tighten screw #14 with screwdriver #18.

Use wire cover #15 to with part G align the hole in the wire cover.

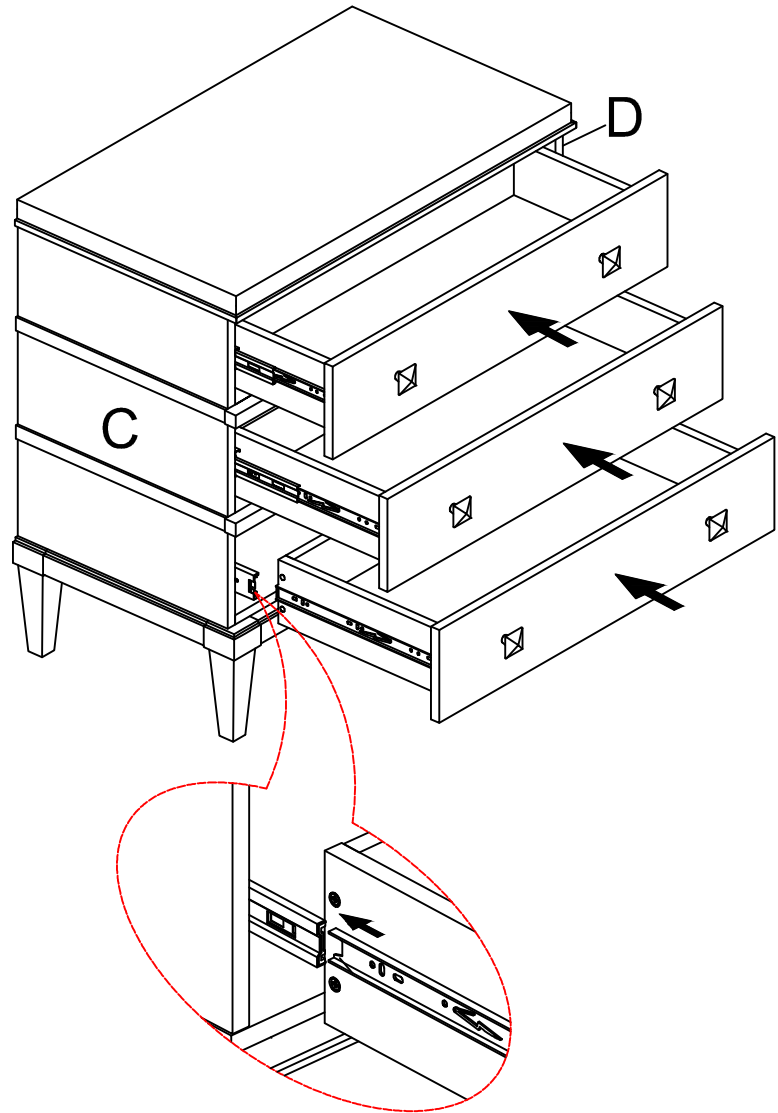
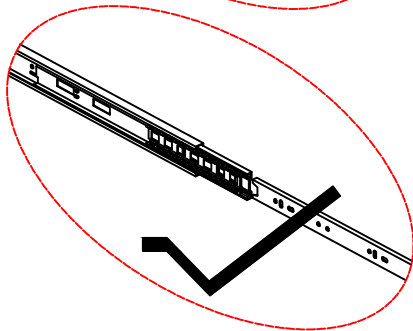
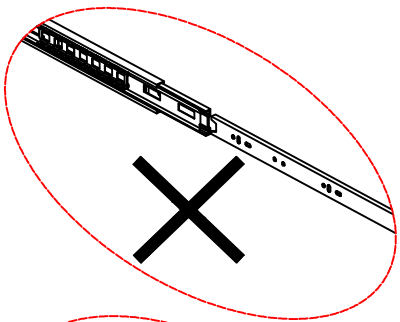


#15	x1	#14	x4	#18	x1
					

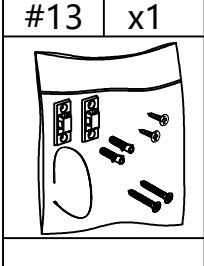
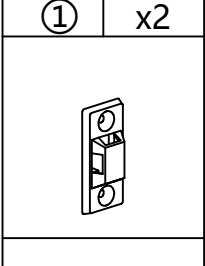
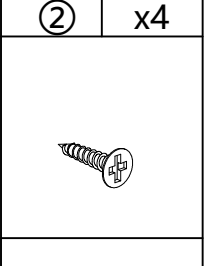
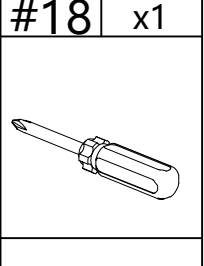
# ASSEMBLY INSTRUCTIONS



**Attention:** When installing the drawer, slide the steel ball slide rail of side panel to the most front as picture show.

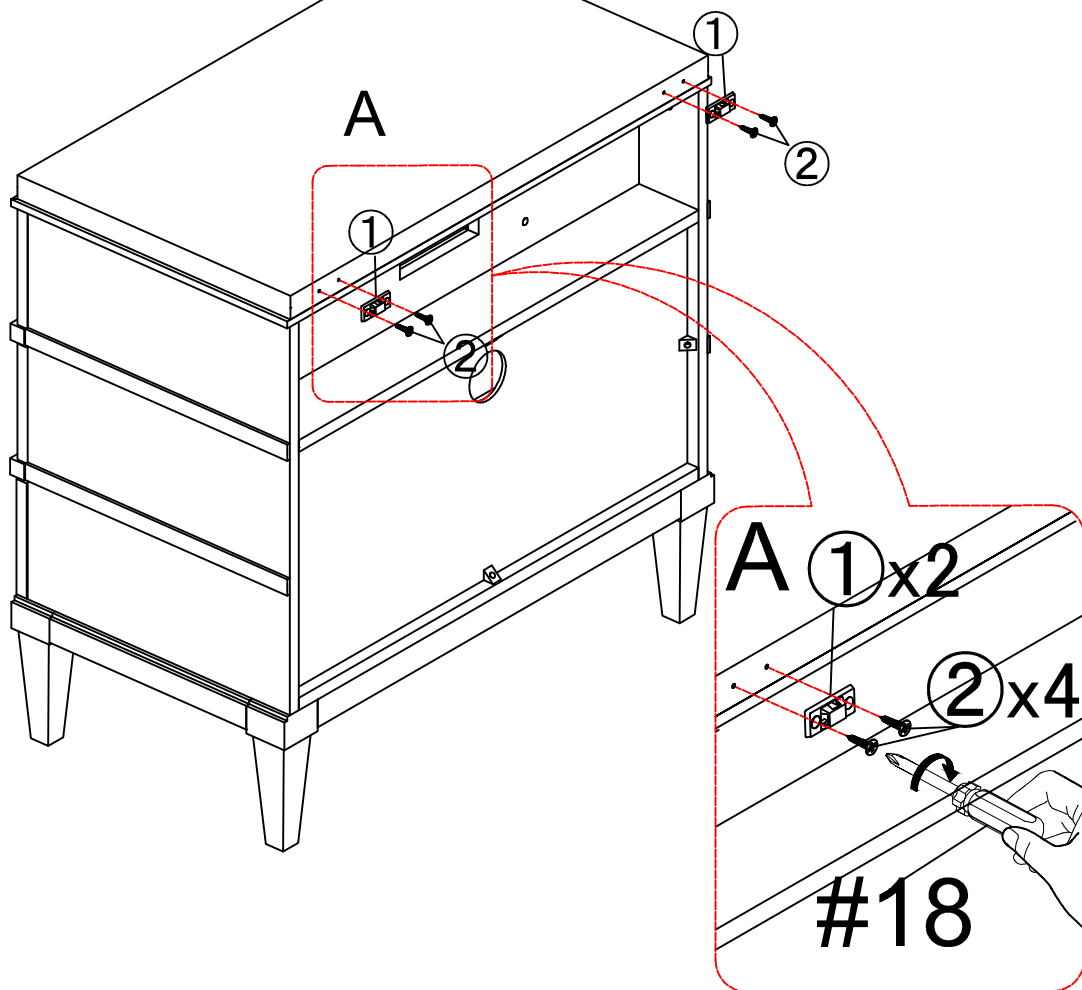


# ASSEMBLY INSTRUCTIONS

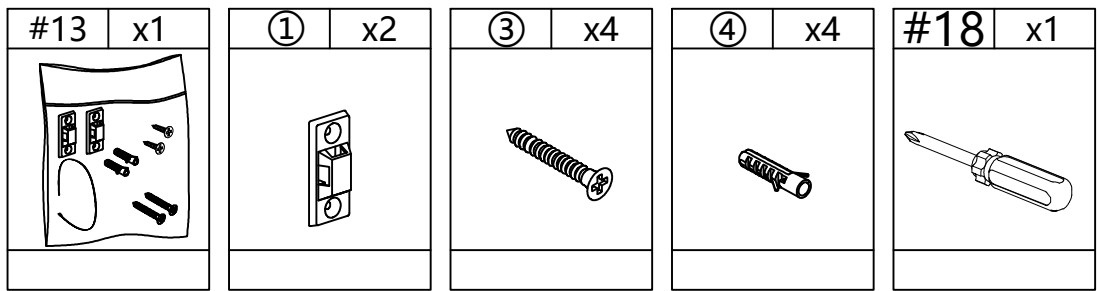
#13	x1	①	x2	②	x4	#18	x1
							

## STEP-18

Use screw ② to attach bracket ① to top panel (A), tighten screw ② with screwdriver #18.

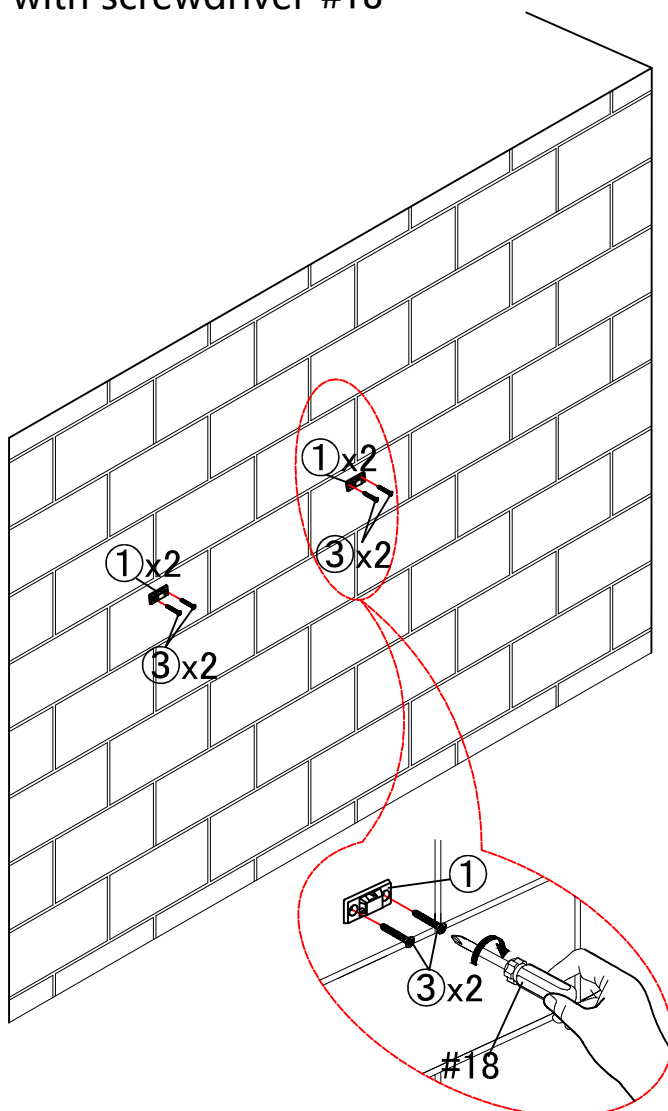


# ASSEMBLY INSTRUCTIONS

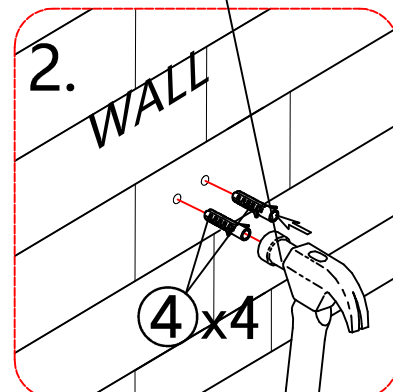
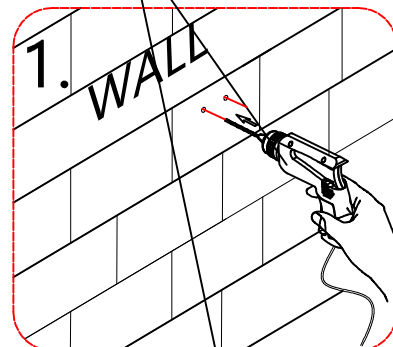


## STEP-19

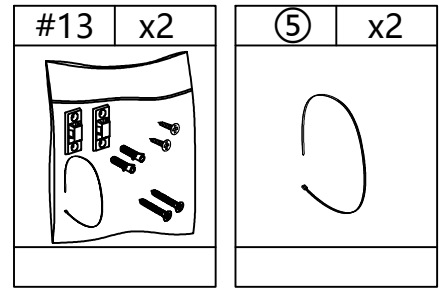
1. Mark the position on the wall, that corresponds to the location of bracket ① on the panel A; Drill and insert the expandable screw ④ by hammer.
2. Assemble the bracket ① to the wall. Align the hole in the bracket ① with the expandable screw ④, use screw ③ to attach it, tighten screw ③ with screwdriver #18



NOT PROVIDED

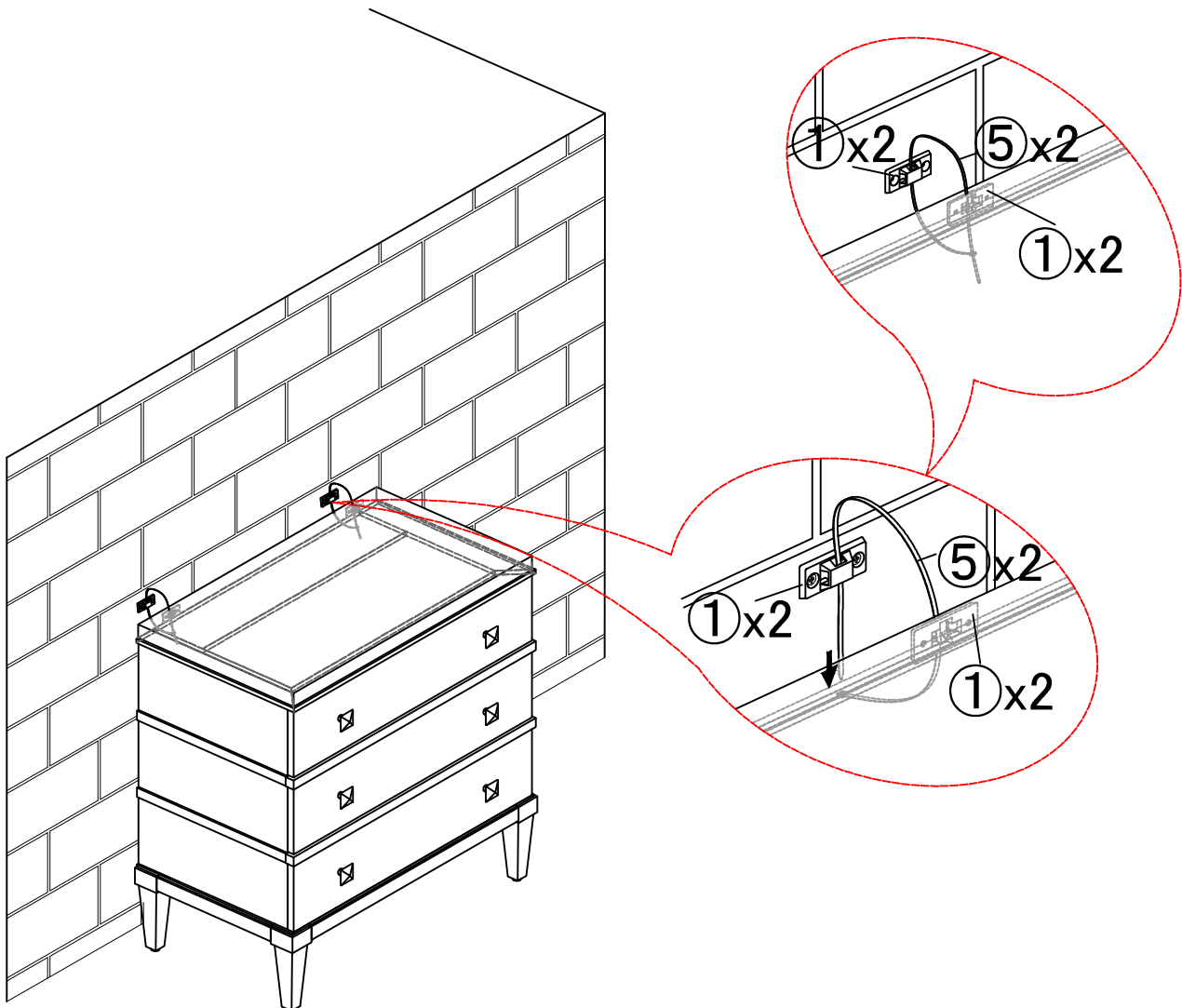


# ASSEMBLY INSTRUCTIONS



## STEP-20

3. Let the plastic belt ⑤ pass through bracket ① and pull tightly.



# WARRANTY

1. We strive to offer high-quality products, and we also try our best to satisfy each and every customer that orders from us with product or service as needed.
2. We provide 30 days warranty starting from the time you receive the item. Each customer must provide a record of their order such as the order number, or item receipt for any items that are out of the warranty period you may also still receive.
3. Replacement parts by purchasing them with our company if they are available.

For return, please check the return policy with the retailer or market place you bought from.

Appreciate your purchasing from us.  
Pop up your life by our furniture piece!