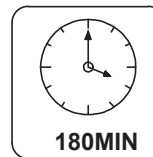
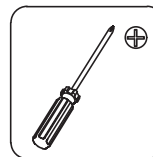
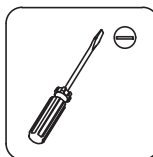
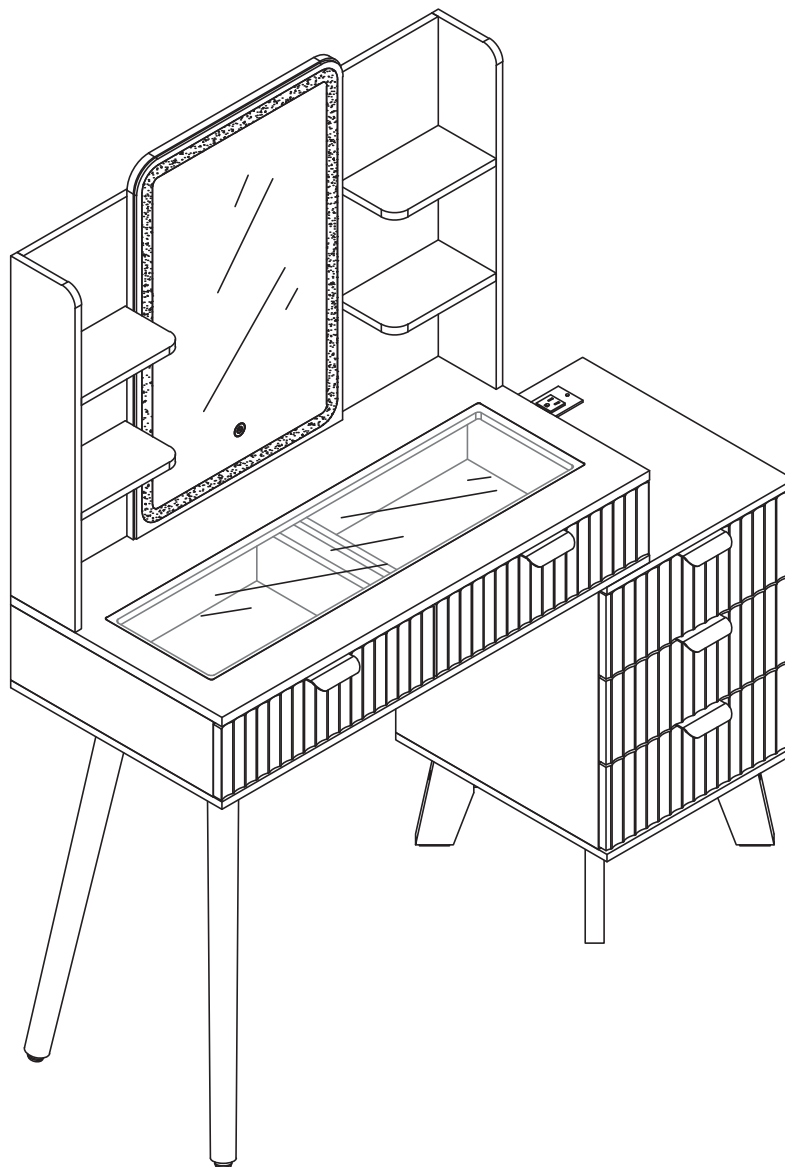
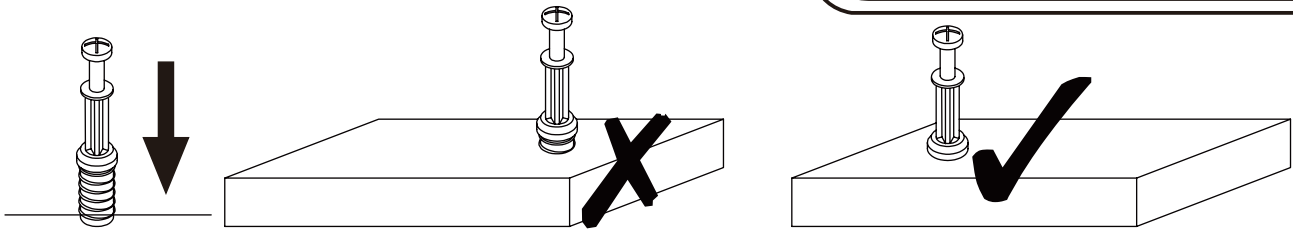


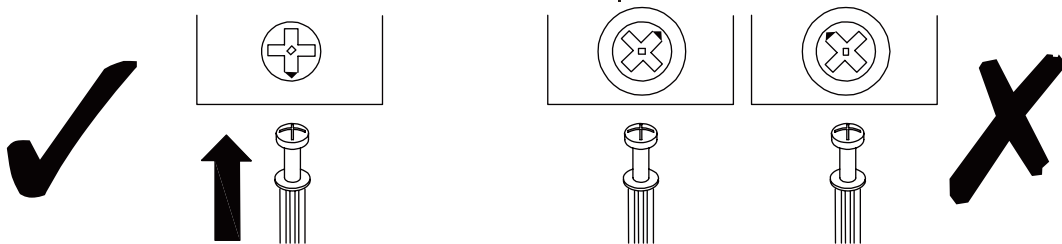
# Installation & Assembly



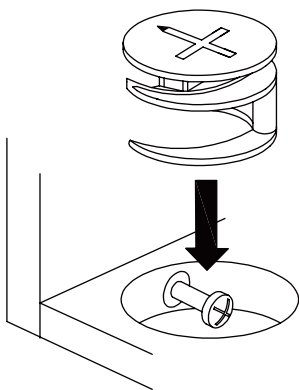
**EN\_IMPORTANT, RETAIN FOR FUTURE REFERENCE: READ CAREFULLY.**



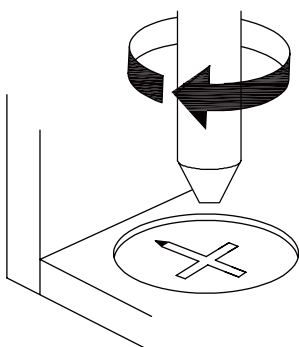
**EN\_QUICKFIT:** Tighten quickfit until shoulder is flush with panel. Do not overtighten or undertighten.



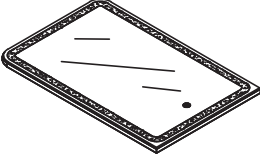
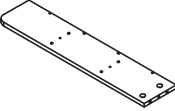
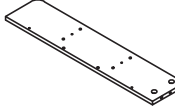
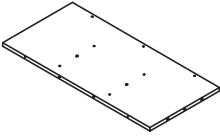
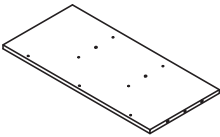
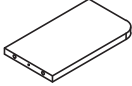
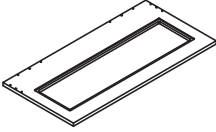
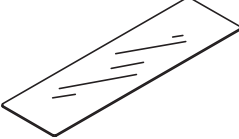
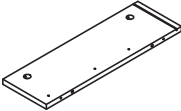
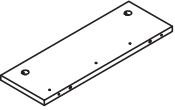
**EN\_CAM LOCK:** When fitting cam lock, ensure starting position is correct before you insert connecting quickfit.

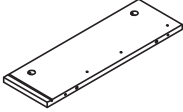
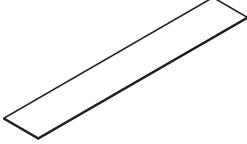
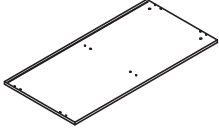
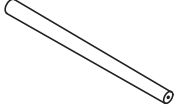
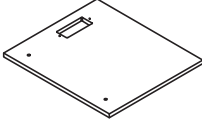
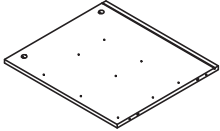
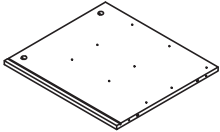
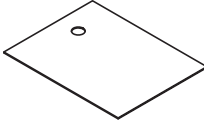
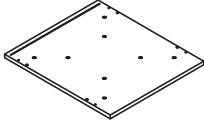
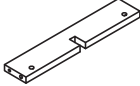


**EN\_Quickfit** head should be in the centre of the cam lock when the two panels are joined.  
Cam lock should be inserted before quickfit.

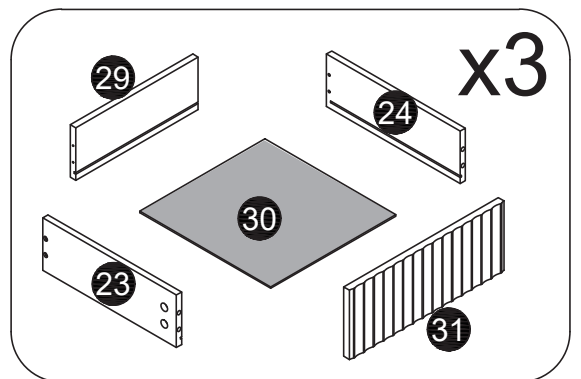
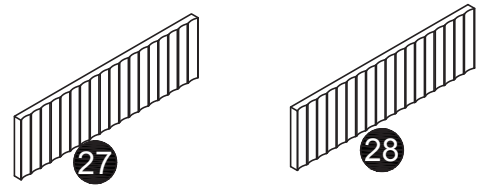
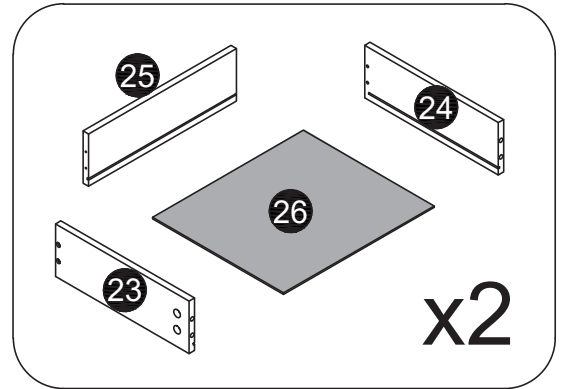
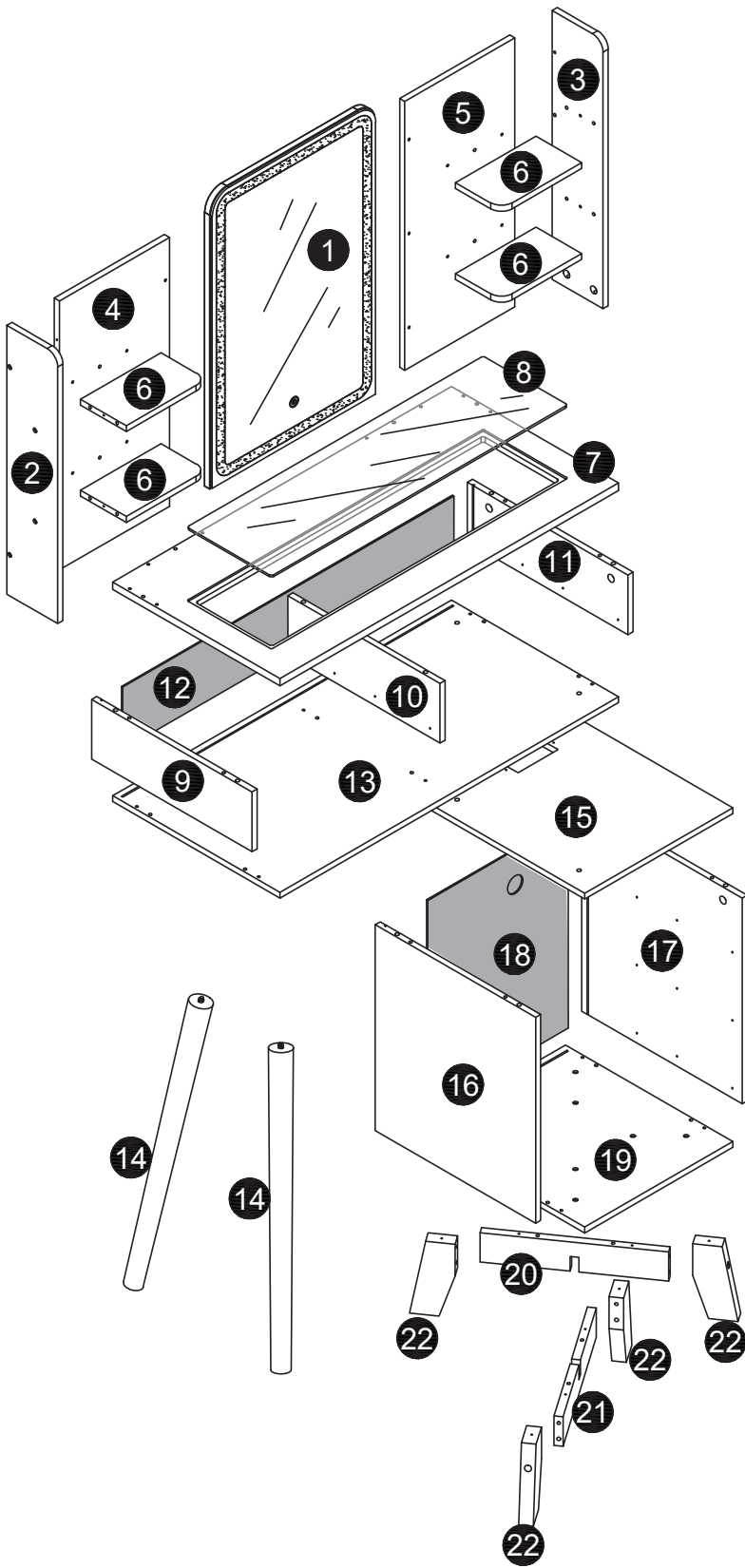


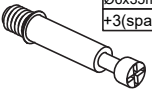

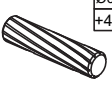
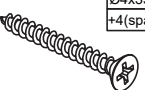
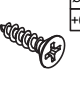
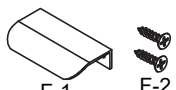

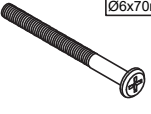
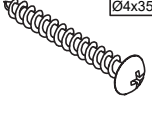
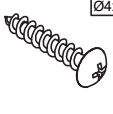
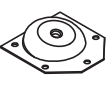

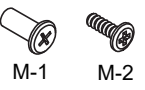
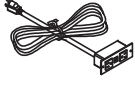

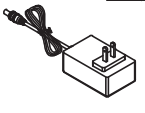
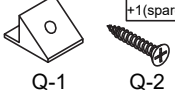
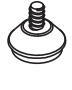
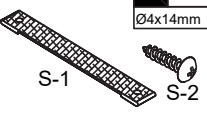
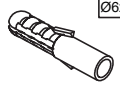


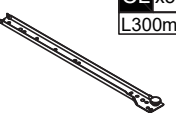
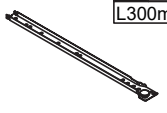
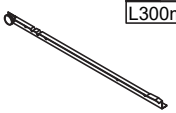
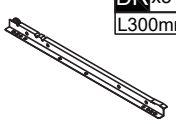
**EN\_Turn** cam lock clockwise to tighten.

NO.	PARTS	QTY	SPARE
1		x1	
2		x1	
3		x1	
4		x1	
5		x1	
6		x4	
7		x1	
8		x1	
9		x1	
10		x1	

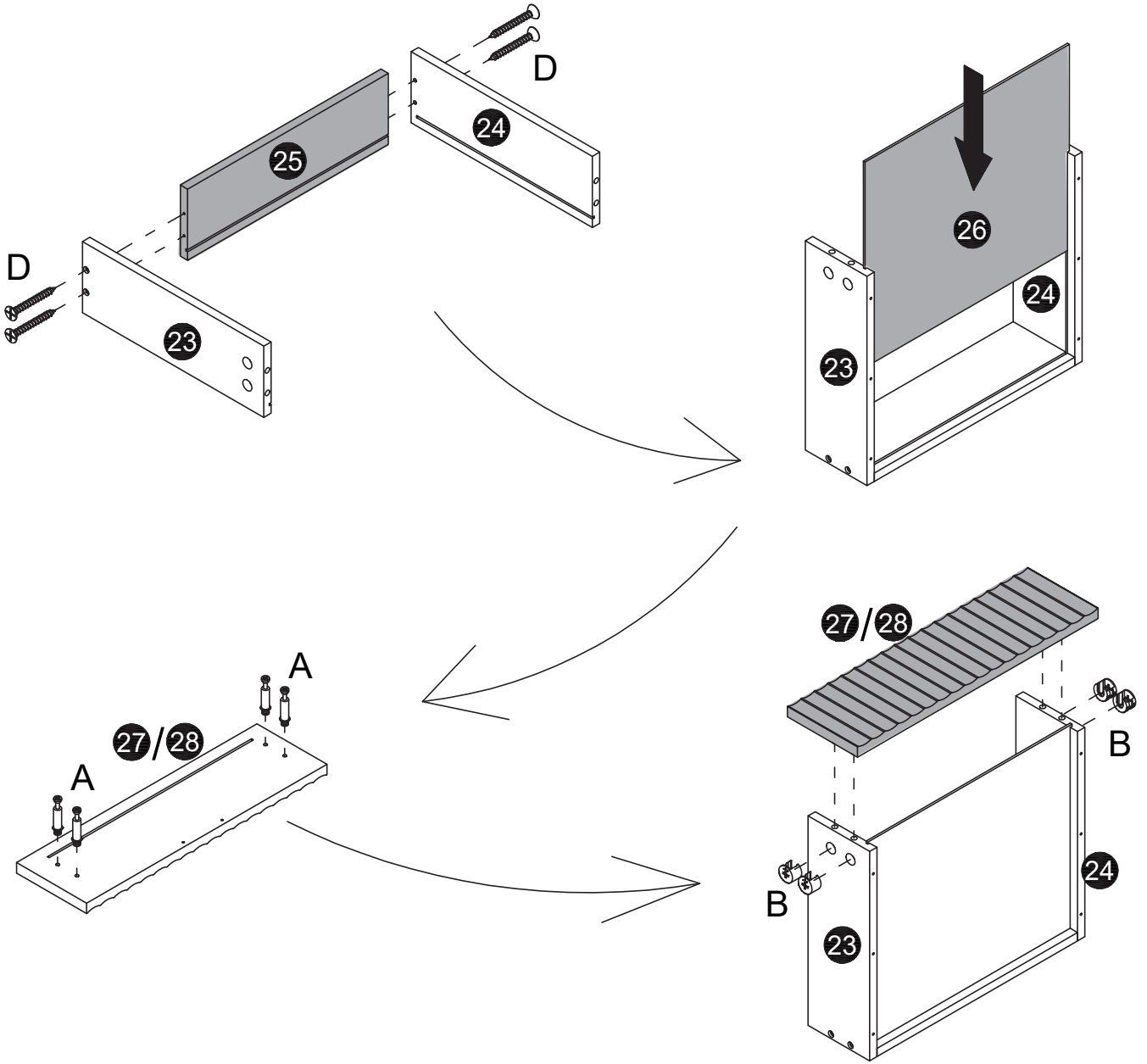
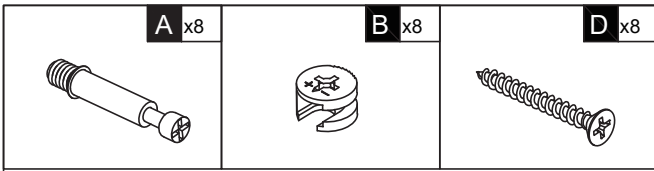
NO.	PARTS	QTY	SPARE
11		x1	
12		x1	
13		x1	
14		x2	
15		x1	
16		x1	
17		x1	
18		x1	
19		x1	
20		x1	



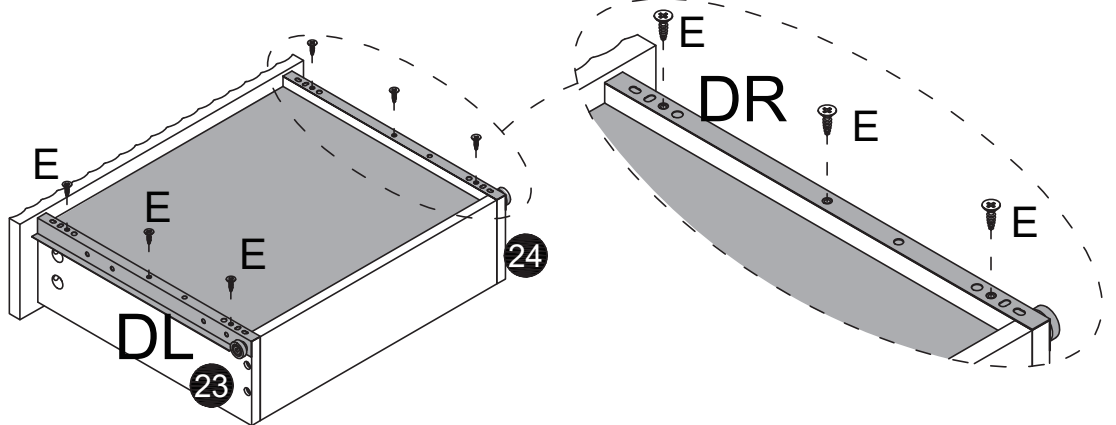
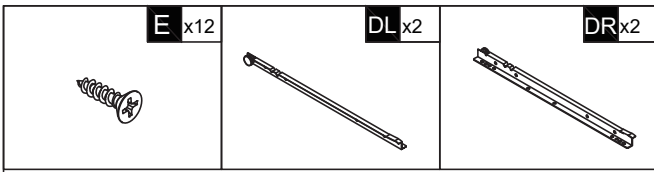


 <p><b>A</b> x38 Ø6x35mm +3(spare)</p>	 <p><b>B</b> x38 Ø15x10mm +3(spare)</p>	 <p><b>C</b> x46 Ø6x30mm +4(spare)</p>	 <p><b>D</b> x48 Ø4x35mm +4(spare)</p>	 <p><b>E</b> x60 Ø3.5x12mm +6(spare)</p>	 <p><b>F</b> x5 F-1 F-2</p>
 <p><b>G</b> x4</p>	 <p><b>H</b> x4 Ø6x70mm</p>	 <p><b>I</b> x8 Ø4x35mm</p>	 <p><b>J</b> x6 Ø4x20mm</p>	 <p><b>K</b> x2</p>	 <p><b>L</b> x10 Ø4x12mm</p>
 <p><b>M</b> x2 M-1 M-2</p>	 <p><b>N</b> x1</p>	 <p><b>O</b> x2 Ø3.5x12mm</p>	 <p><b>P</b> x1</p>	 <p><b>Q</b> x10 Ø3x16mm +1(spare) Q-1 Q-2</p>	 <p><b>R</b> x2</p>
 <p><b>S</b> x2 Ø4x14mm S-1 S-2</p>	 <p><b>T</b> x2 Ø6x30mm</p>	 <p><b>U</b> x16 +4(spare)</p>	 <p><b>V</b> x4</p>		
 <p><b>CL</b> x5 L300mm</p>	 <p><b>CR</b> x5 L300mm</p>	 <p><b>DL</b> x5 L300mm</p>	 <p><b>DR</b> x5 L300mm</p>		

x2



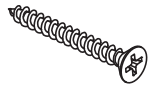
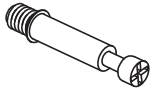
x2



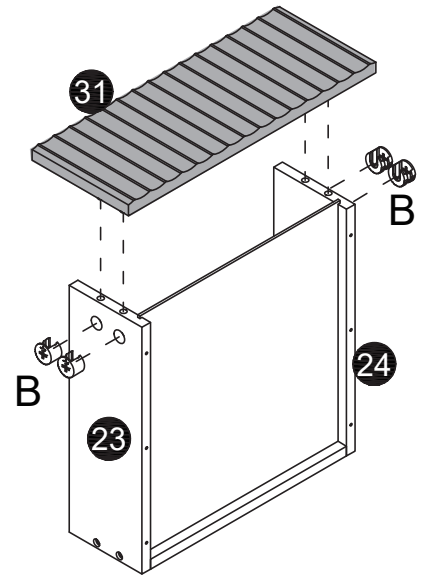
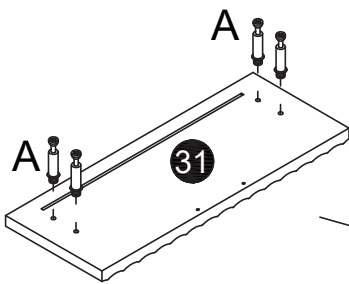
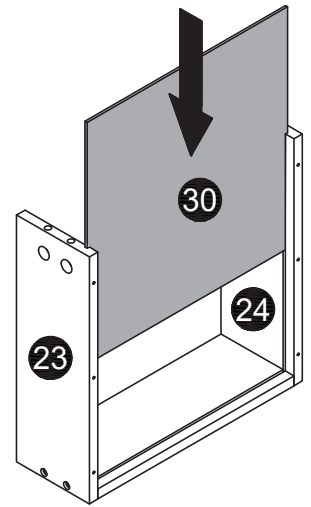
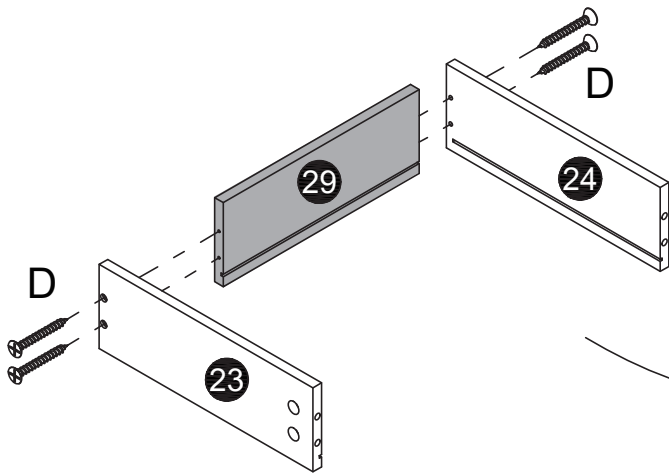
A x12

B x12

D x12



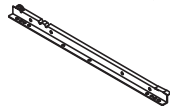
x3



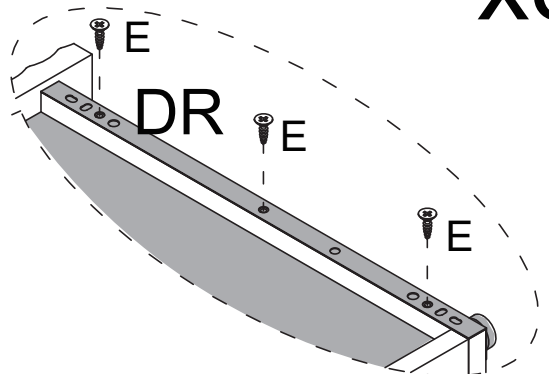
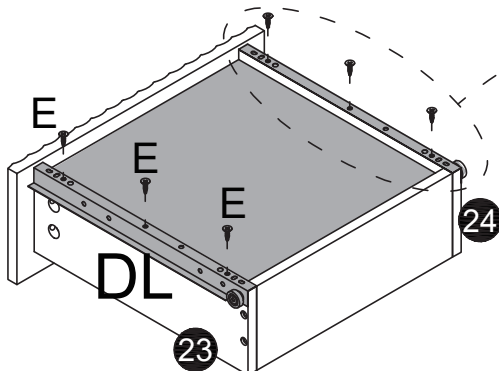
E x18

DL x3

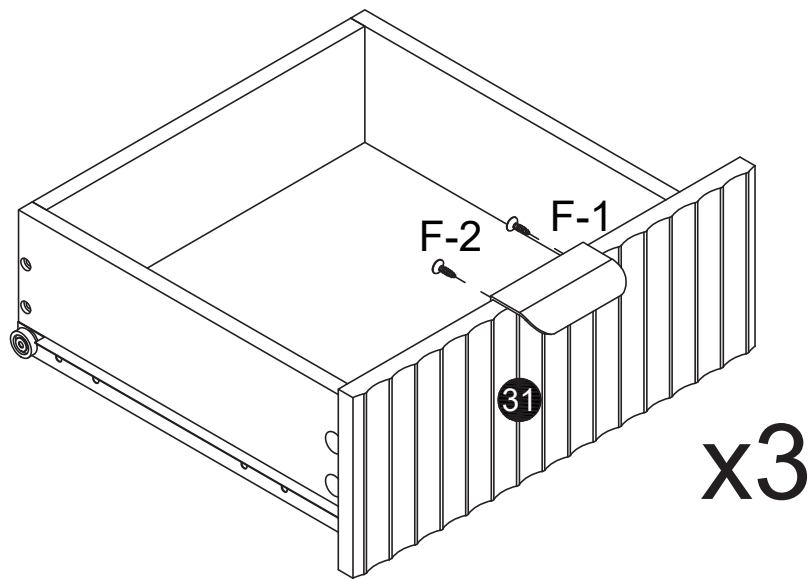
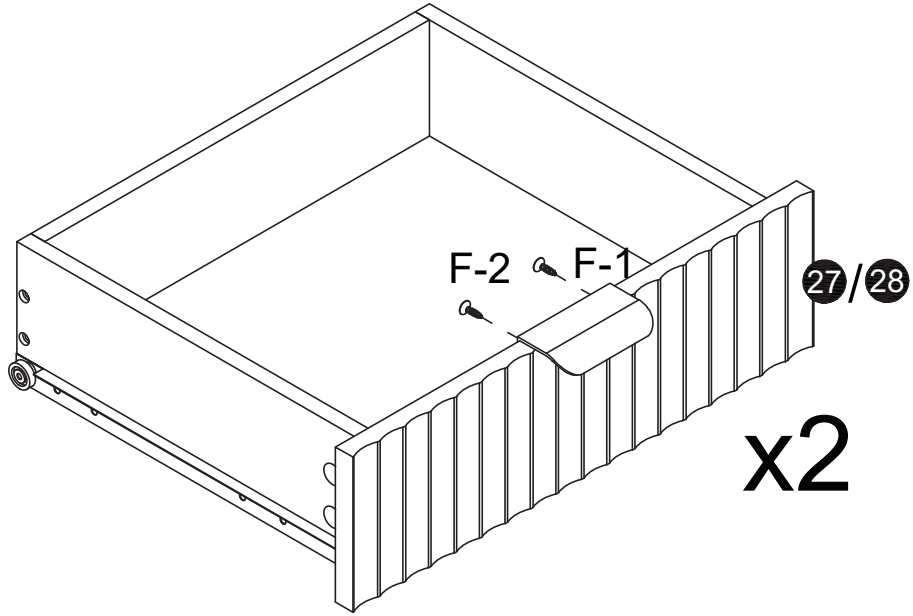
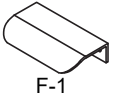
DR x3



x3

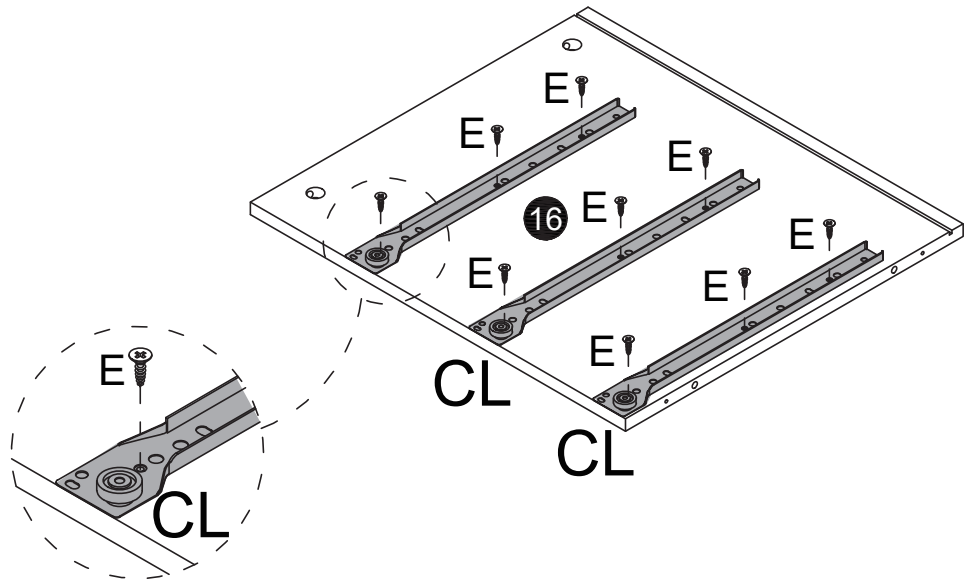
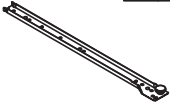


F x5



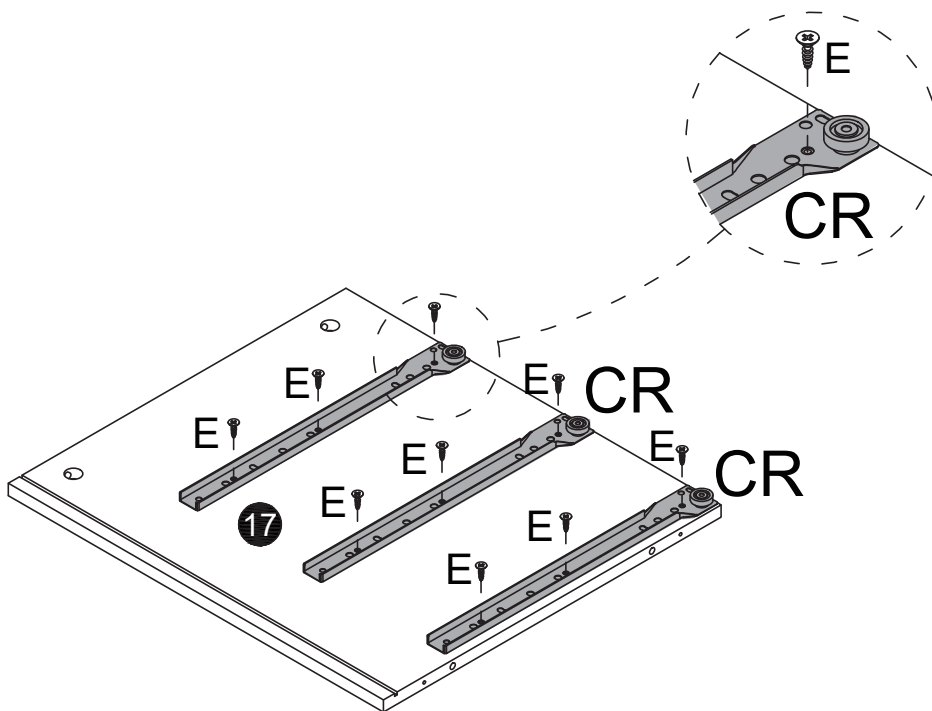
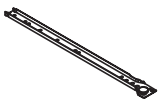
E x9

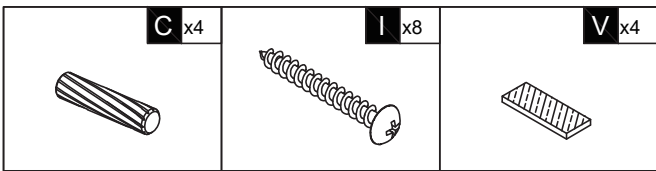
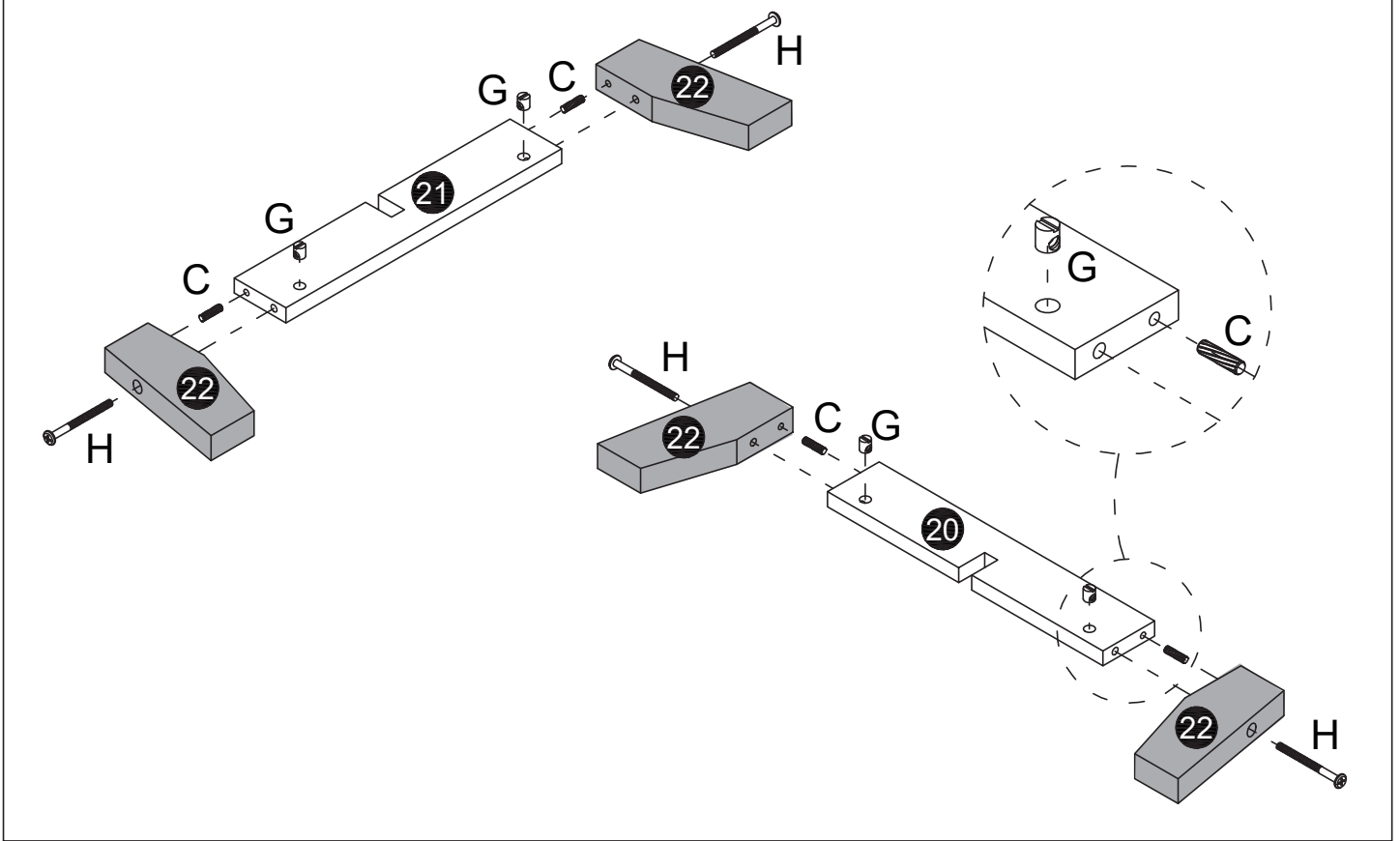
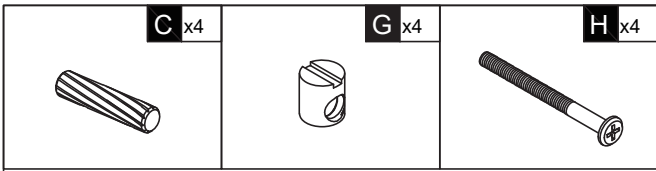
CL x3



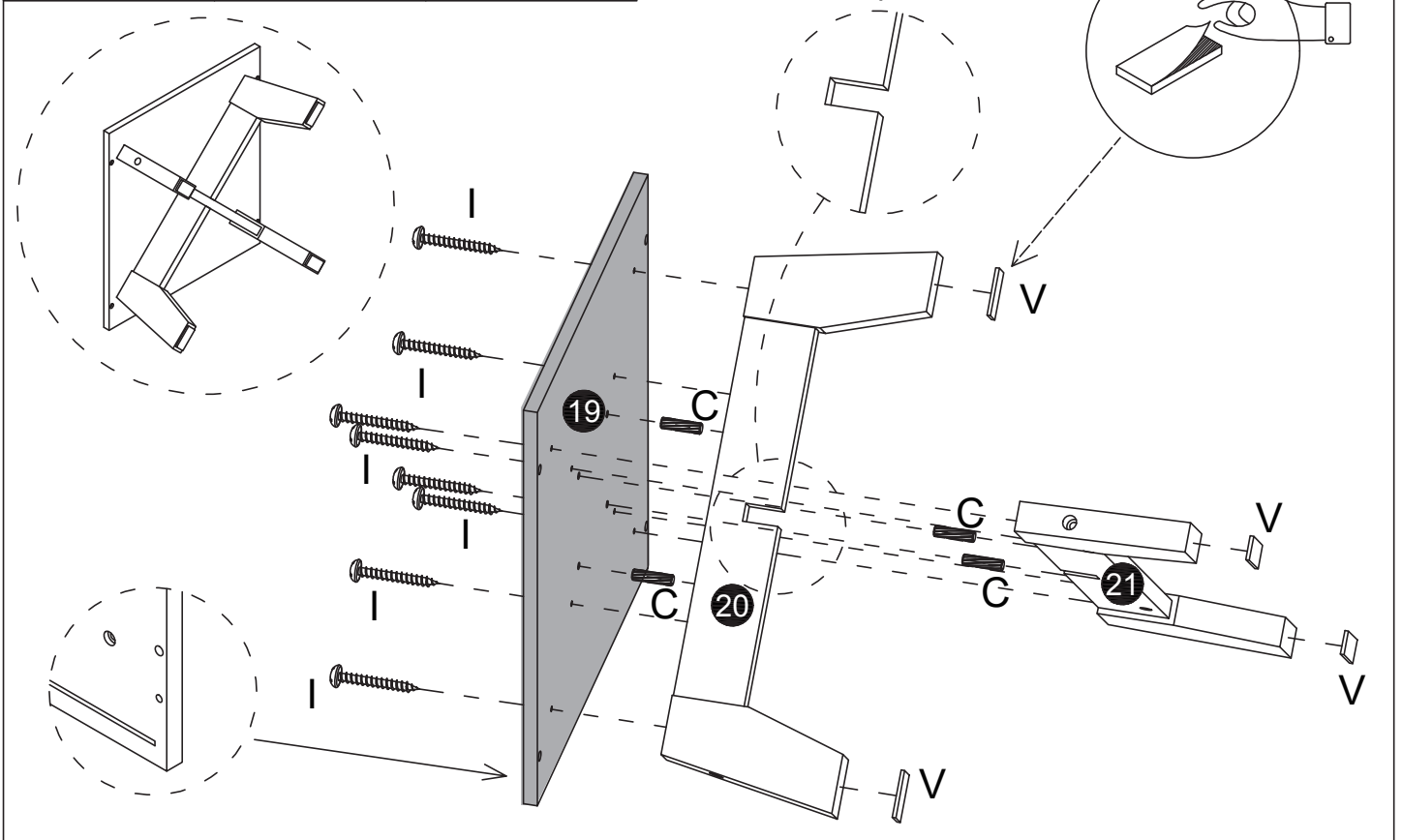
E x9

CR x3



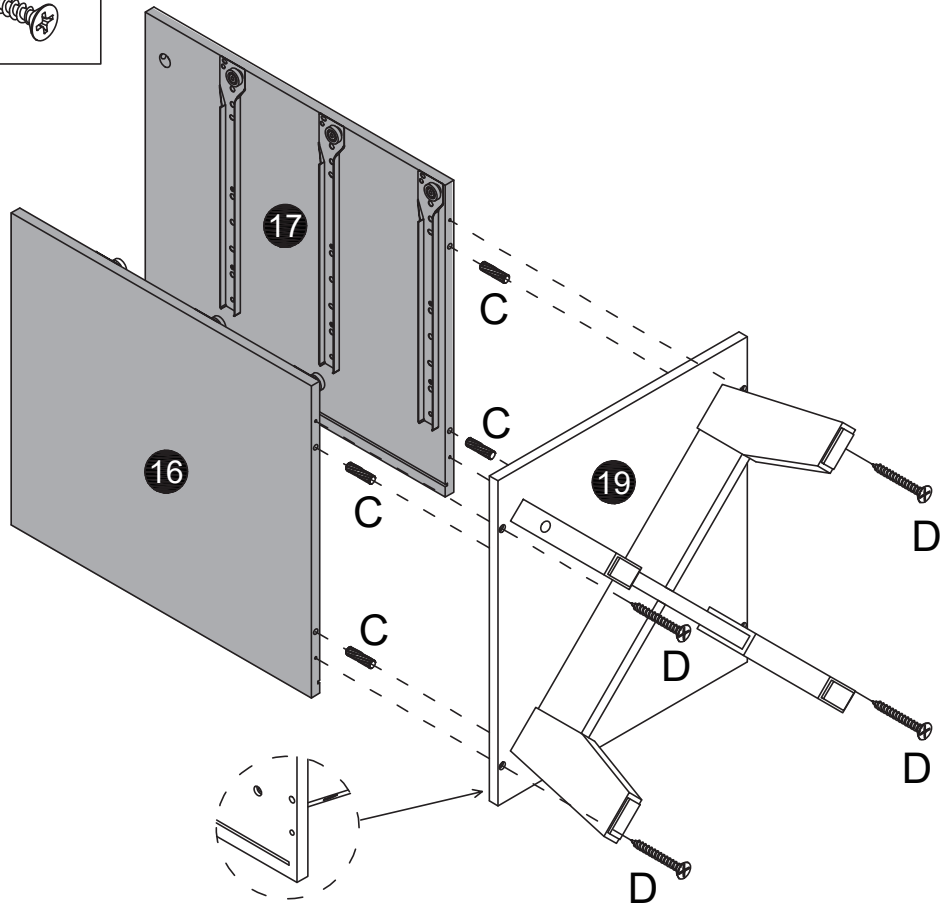
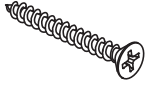


First install component 20, then install component 21.

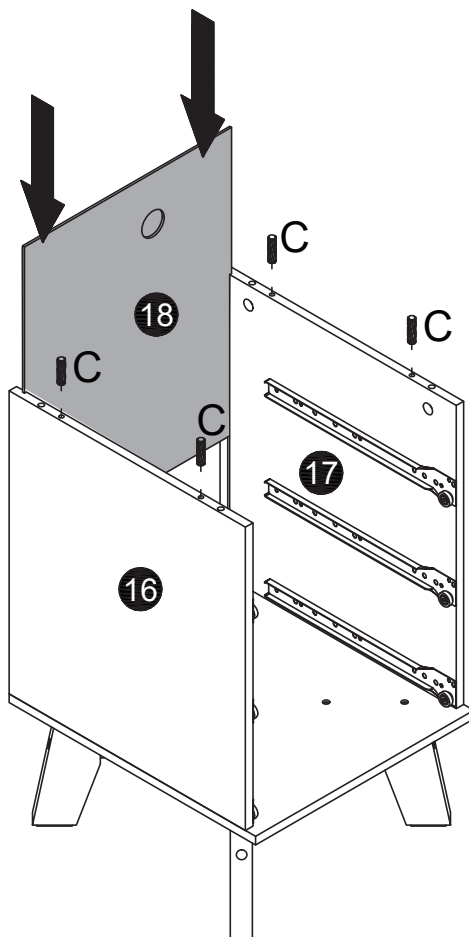


C x4

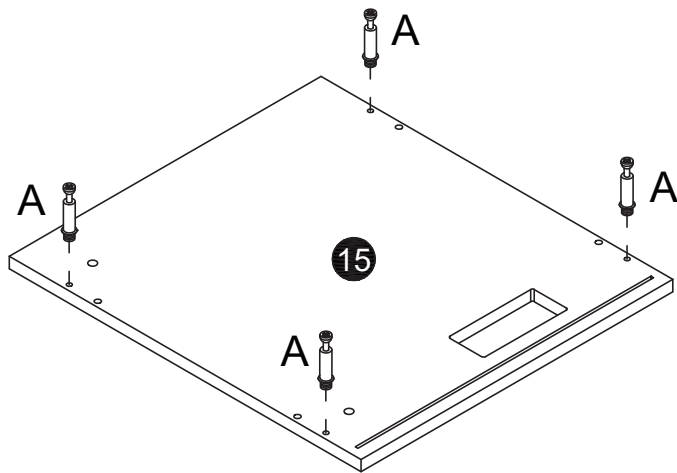
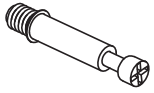
D x4



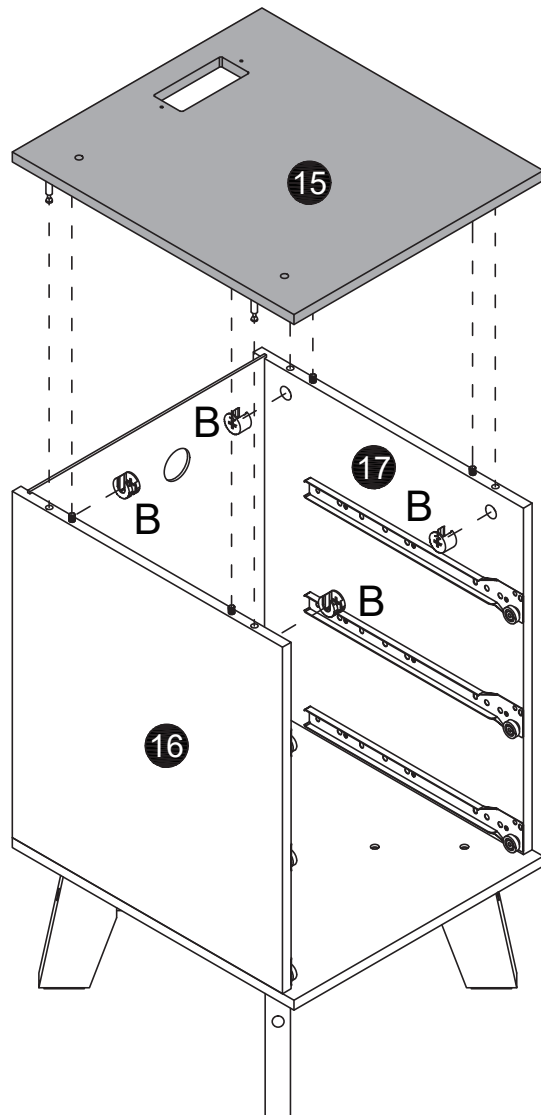
C x4

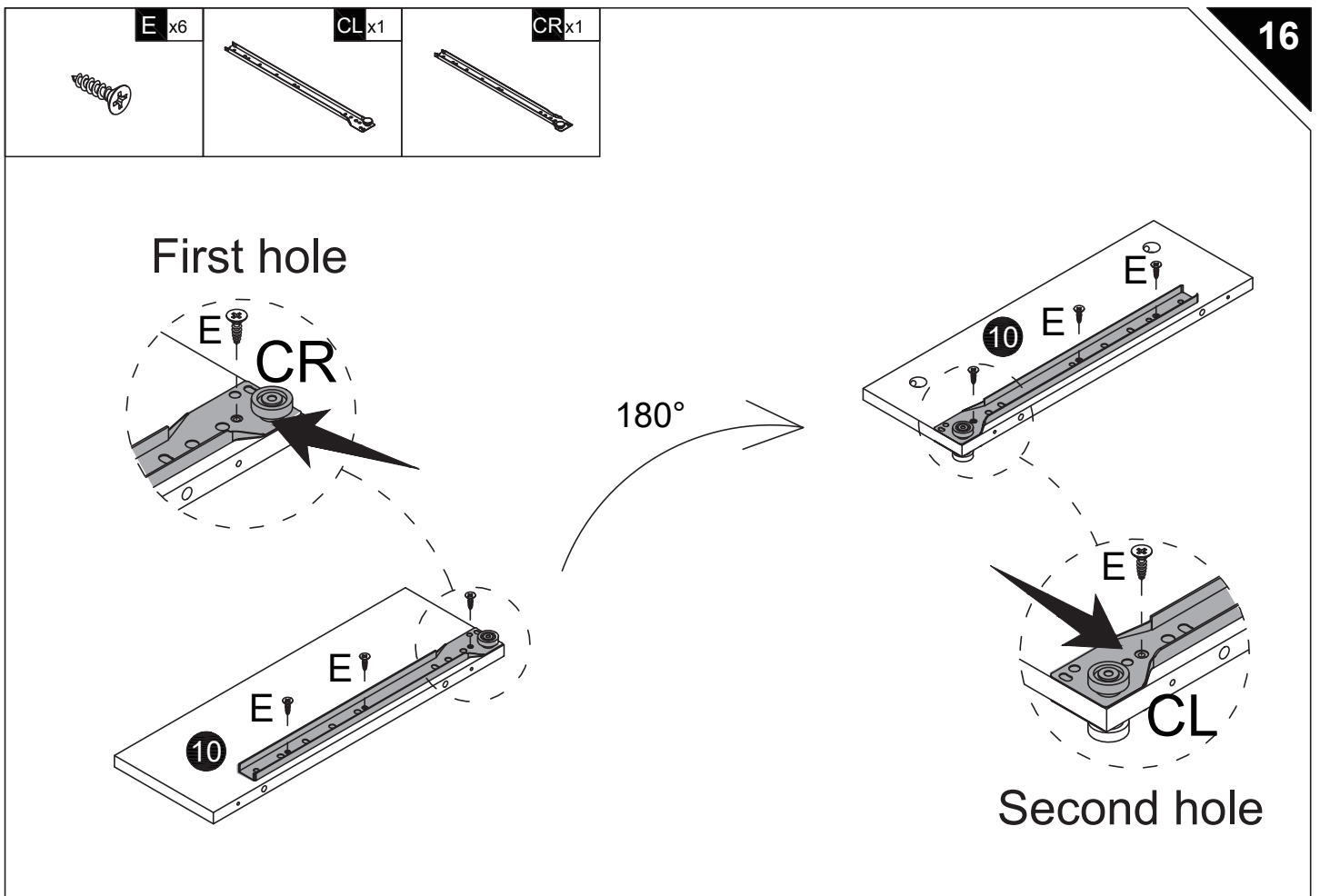
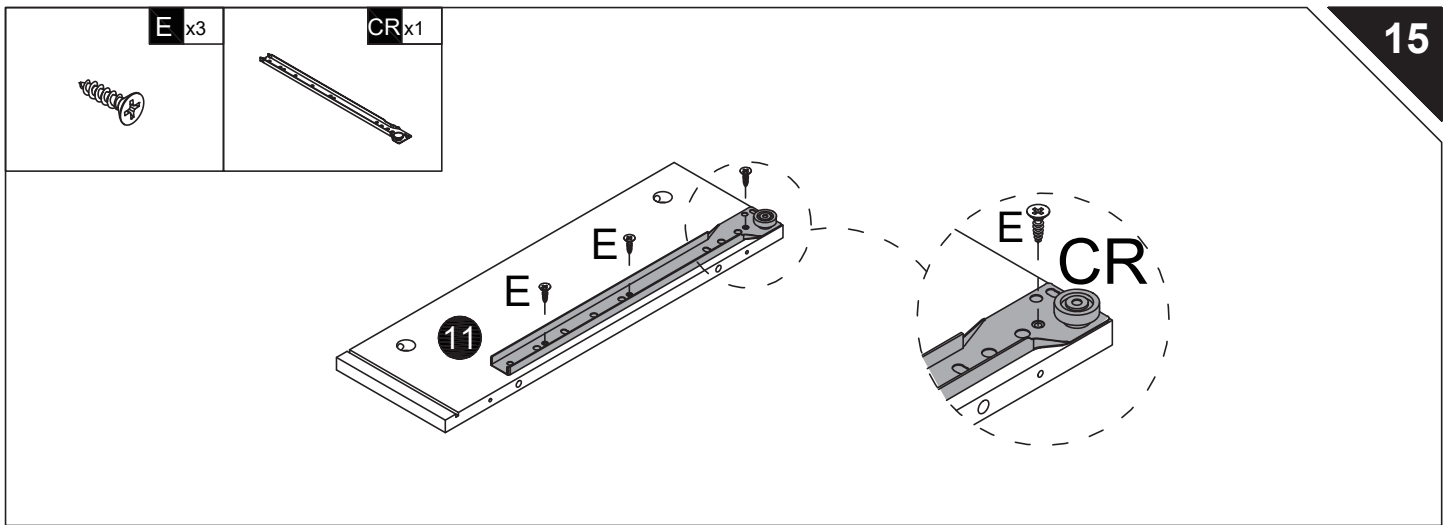
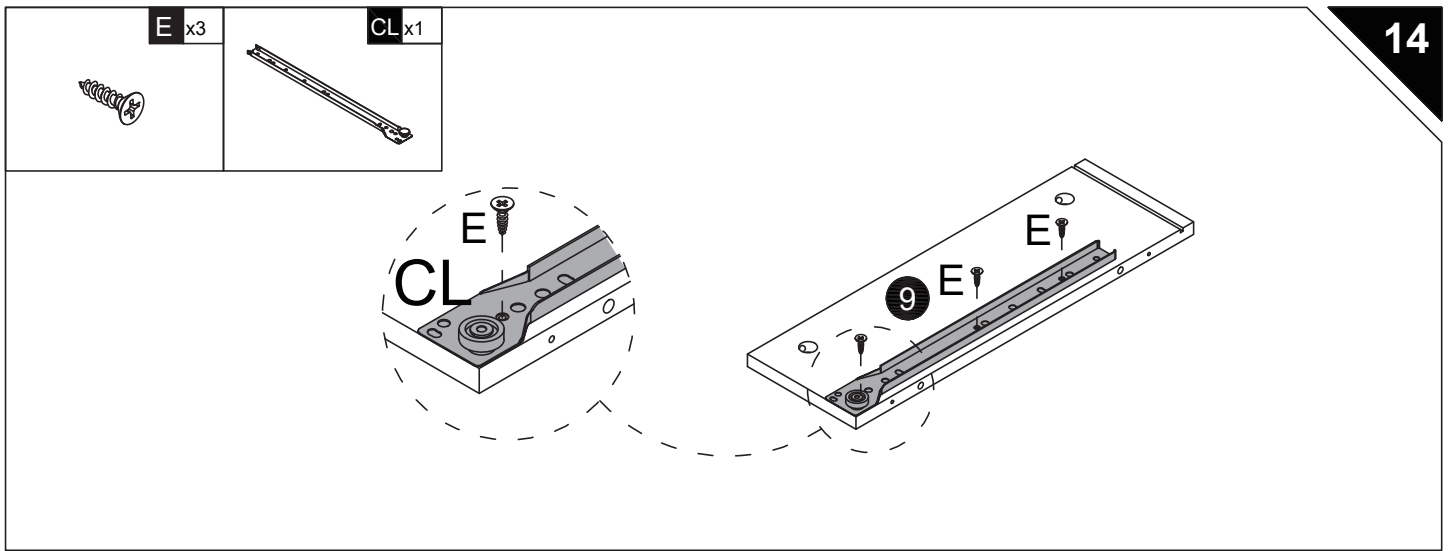


A x4



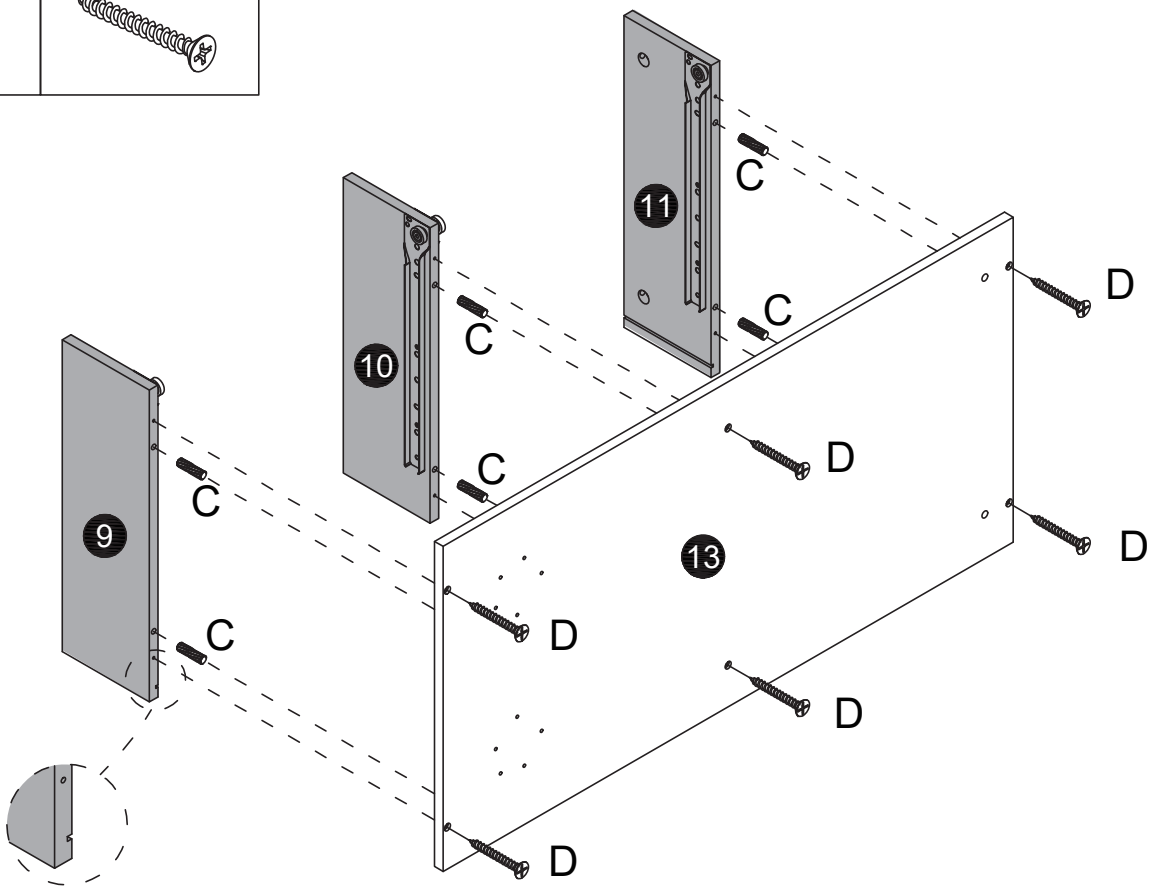
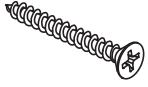
B x4





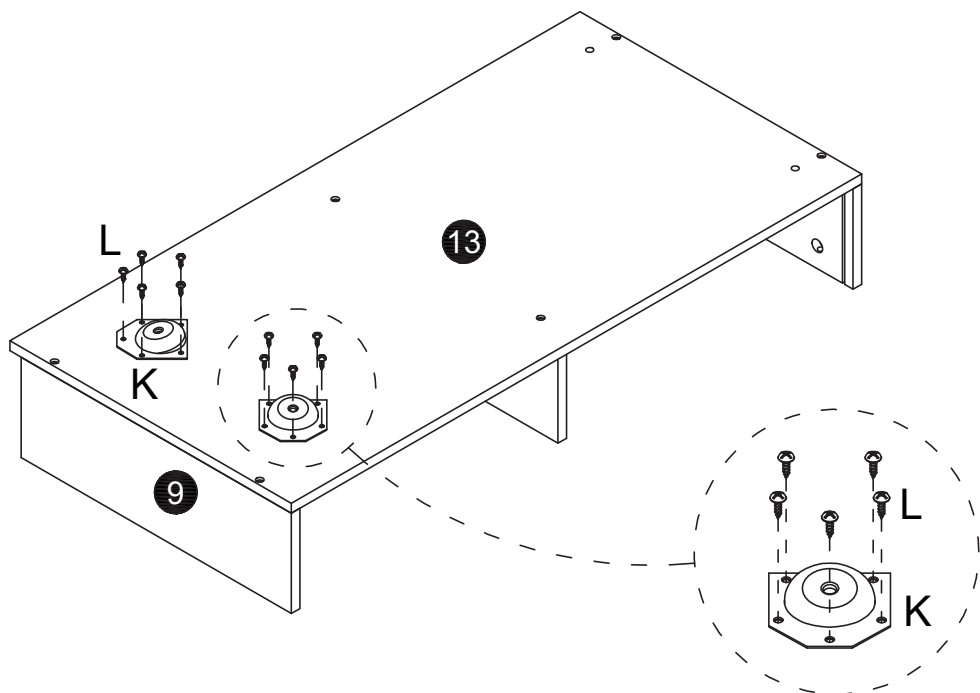
C x6

D x6

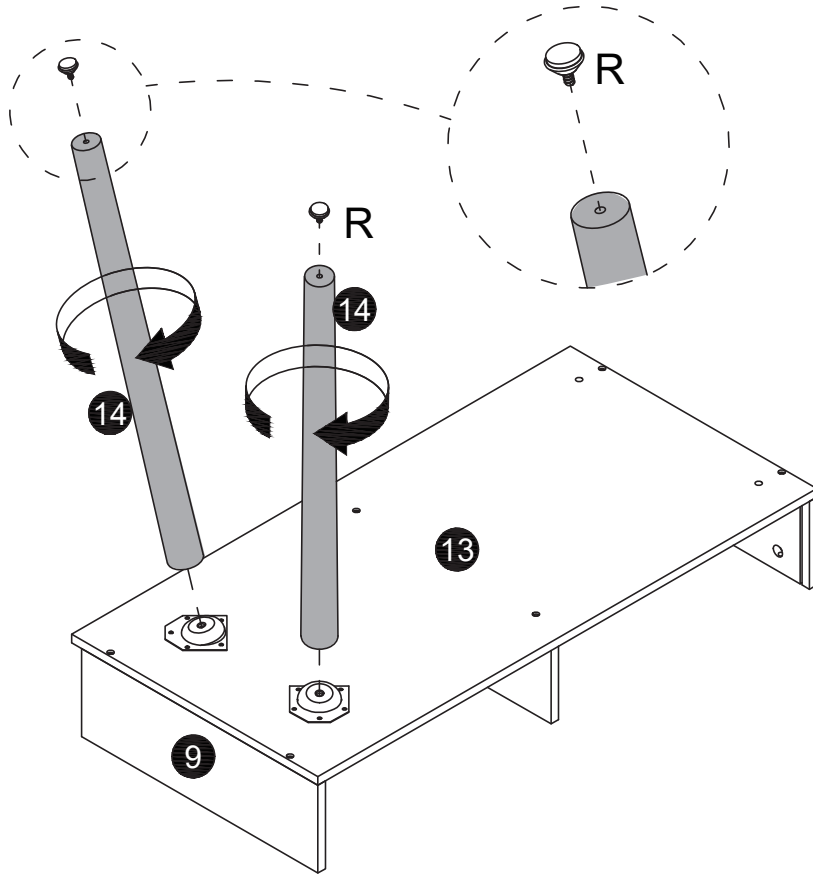


K x2

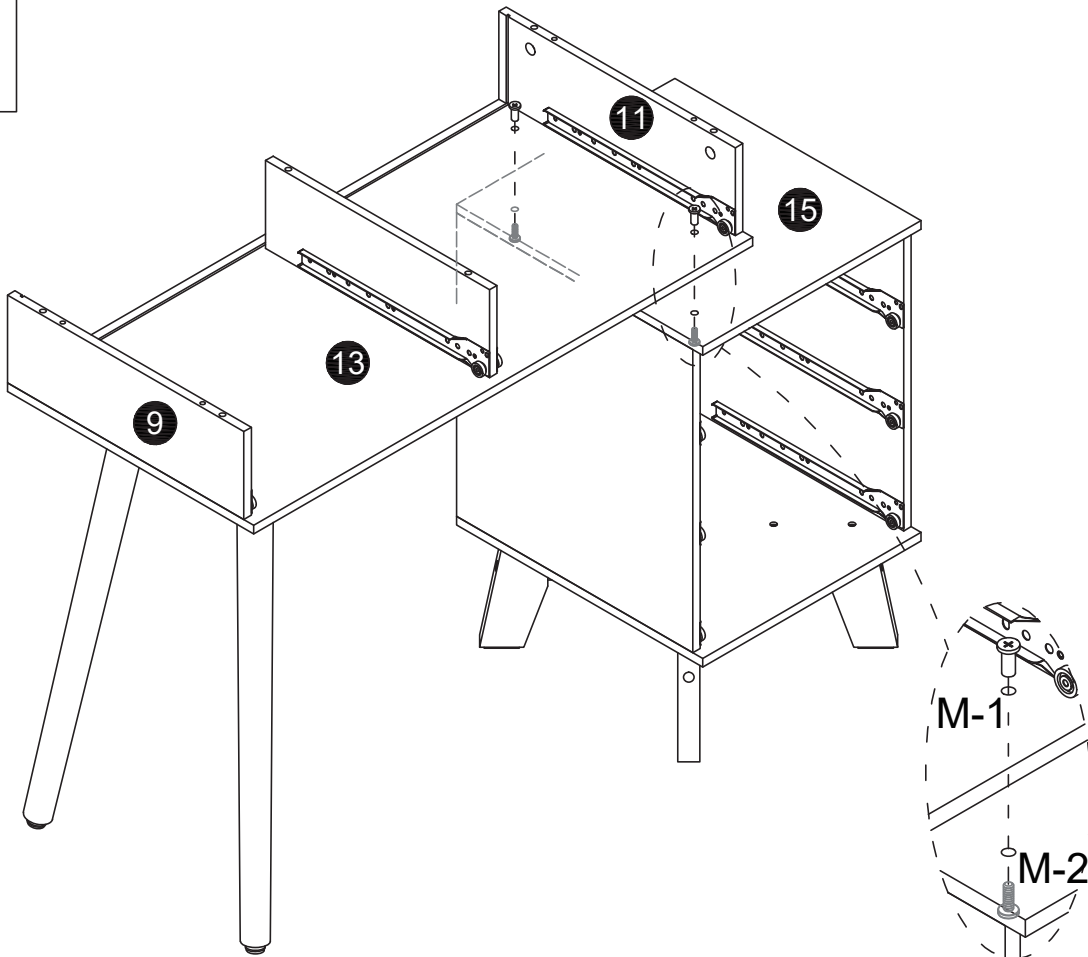
L x10

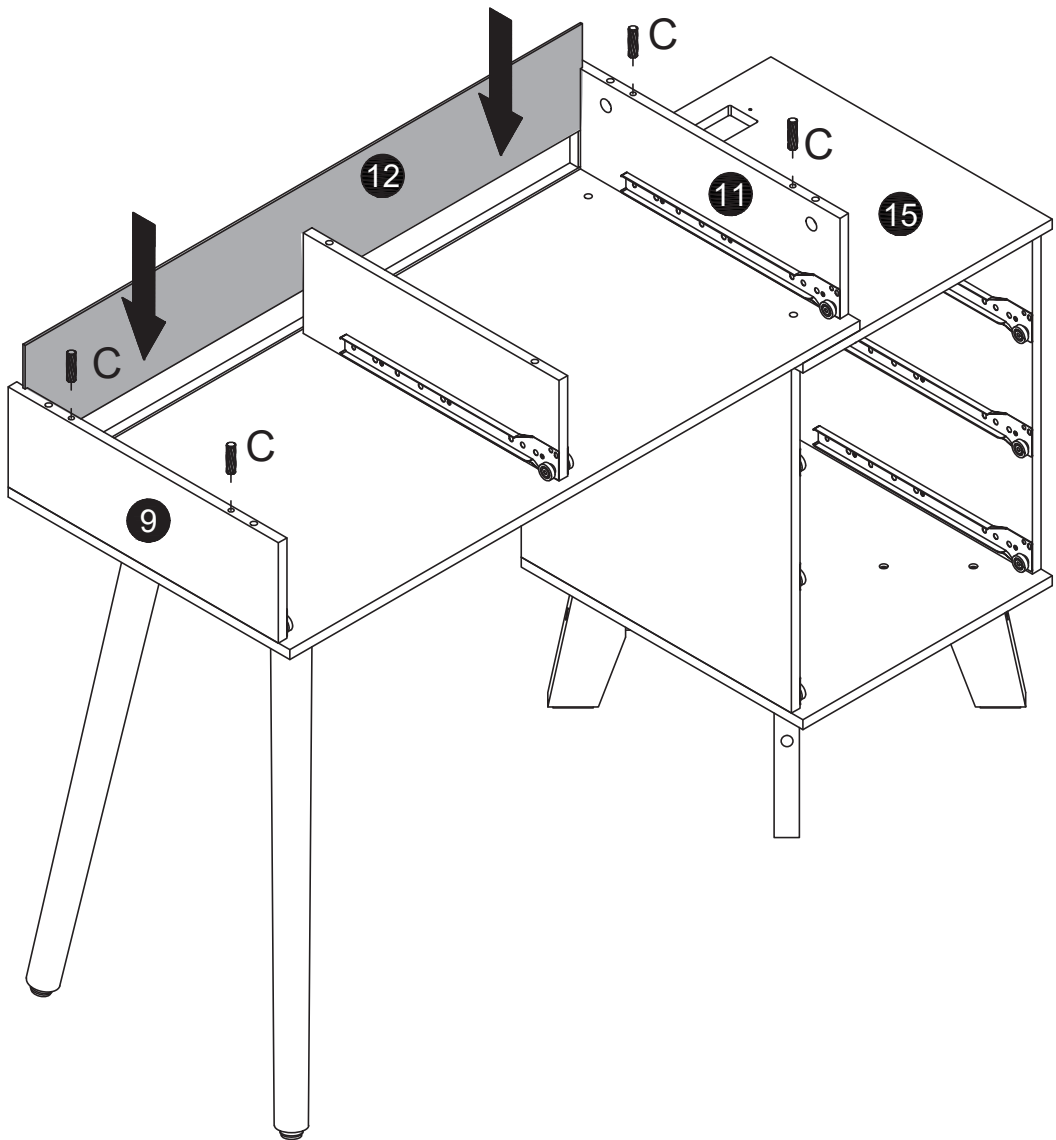


R x2

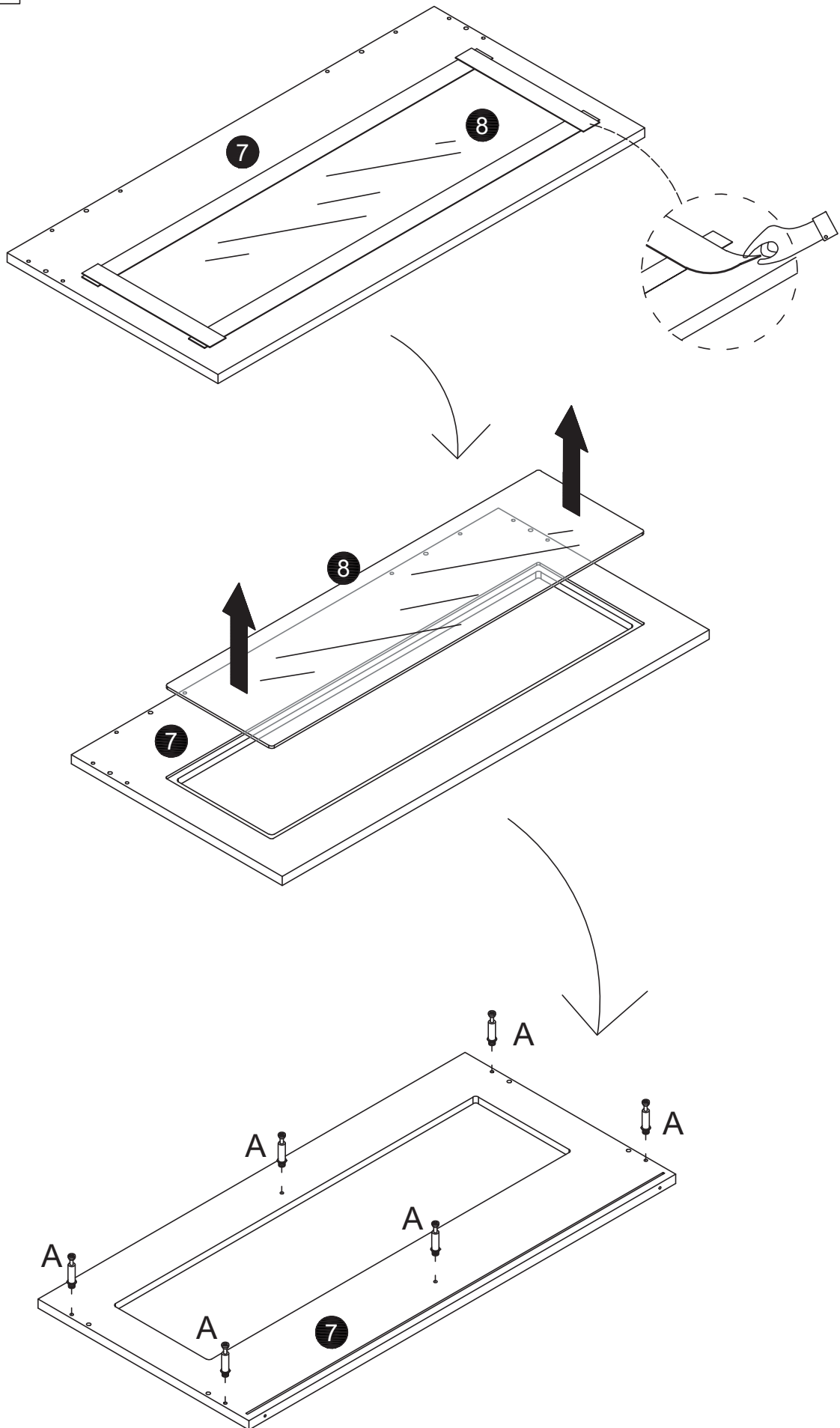
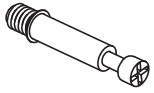


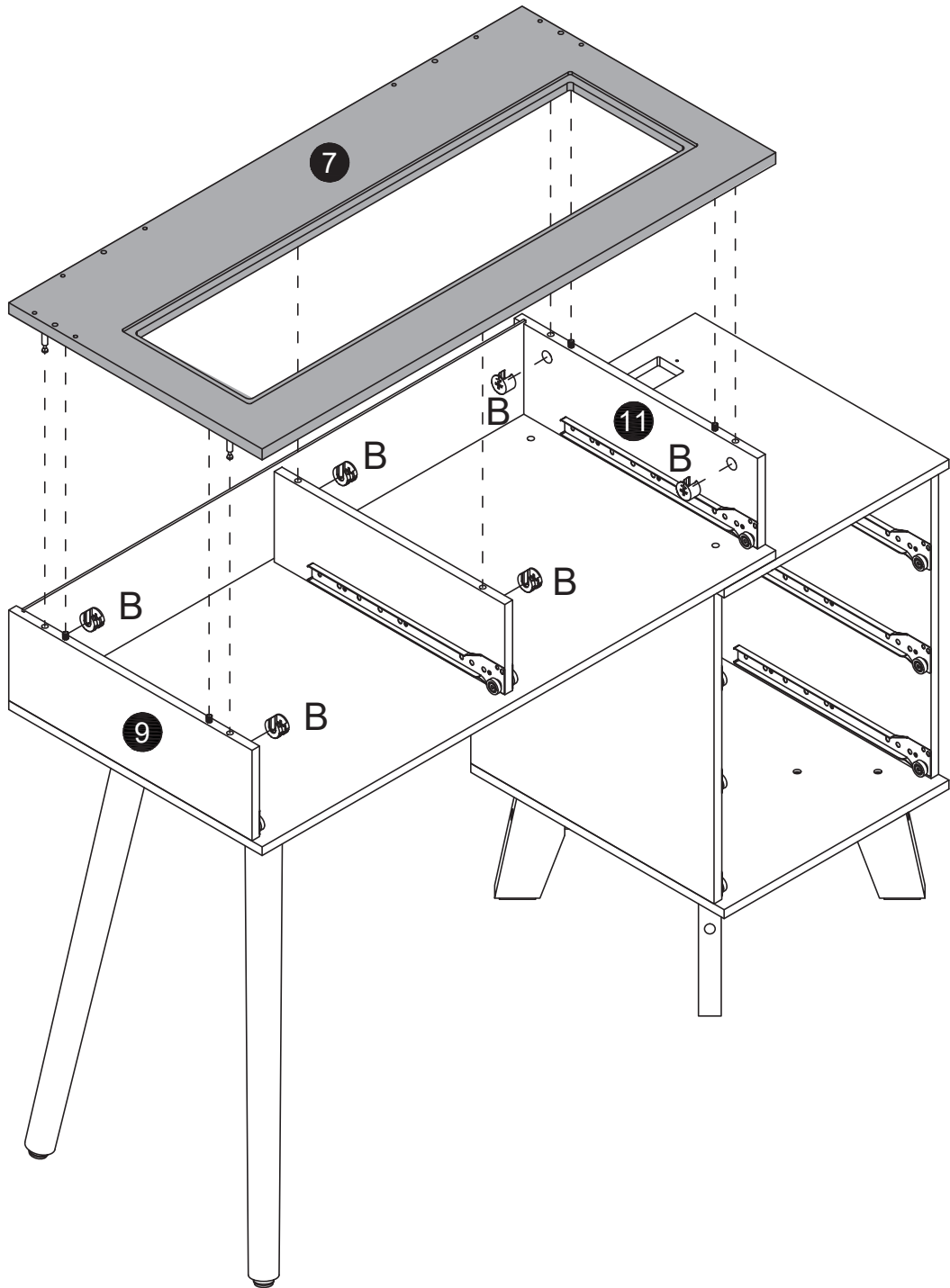
M x2





A x6

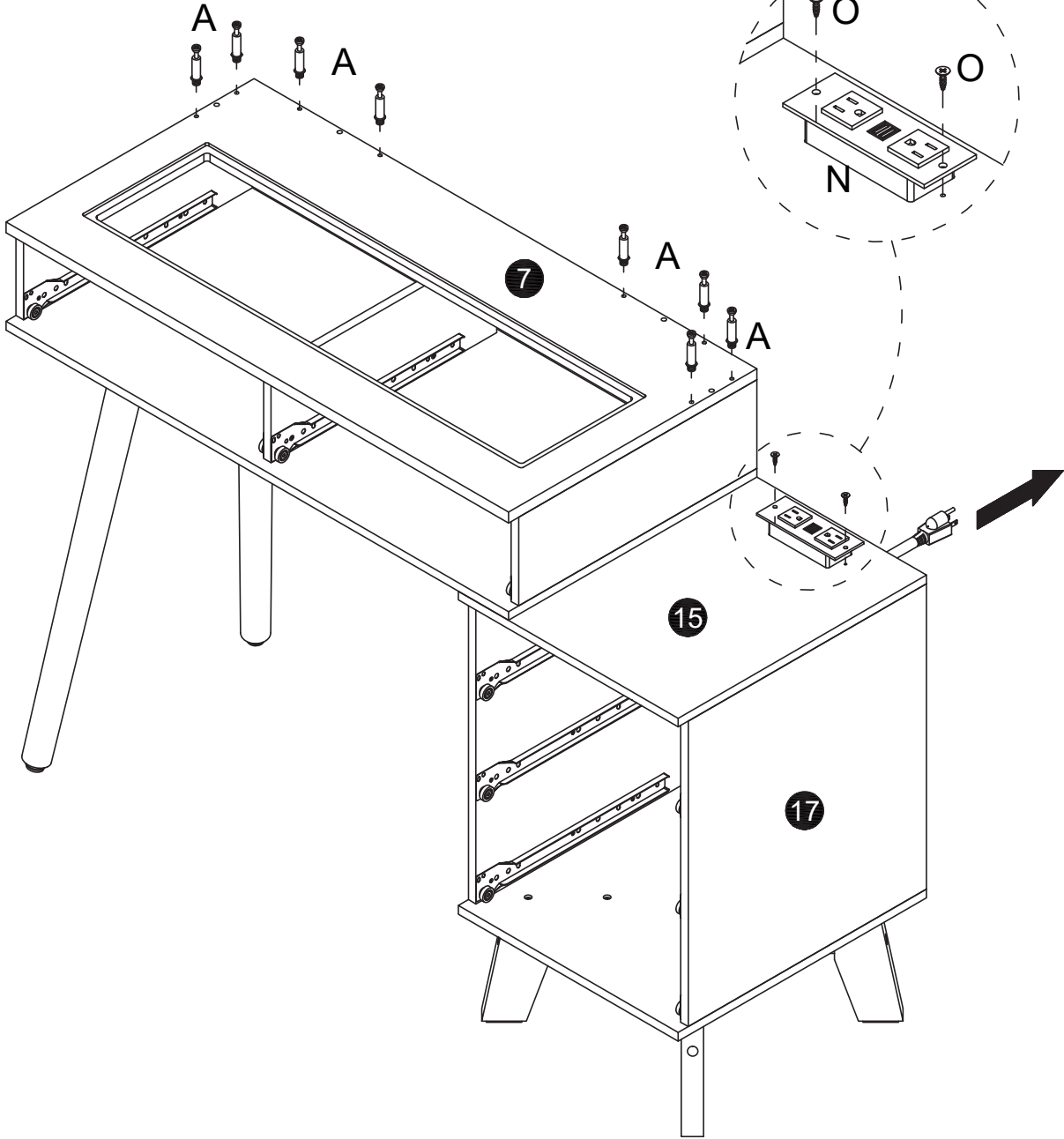
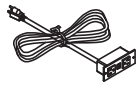
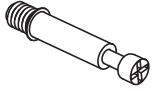




A x8

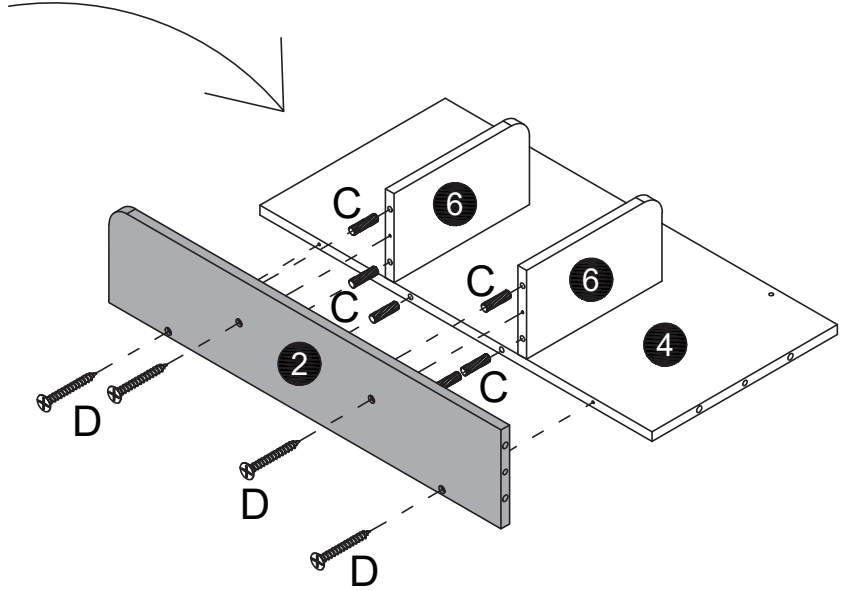
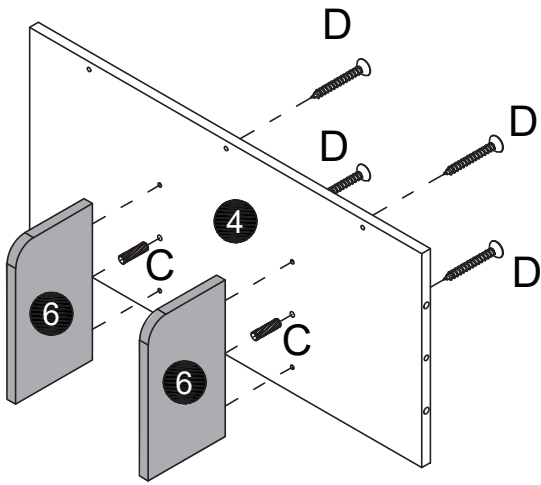
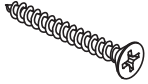
N x1

O x2



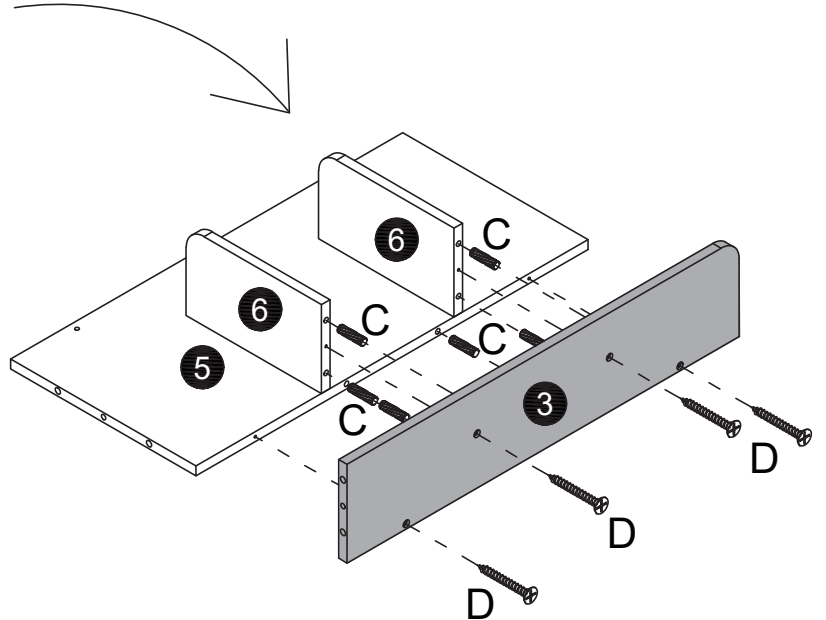
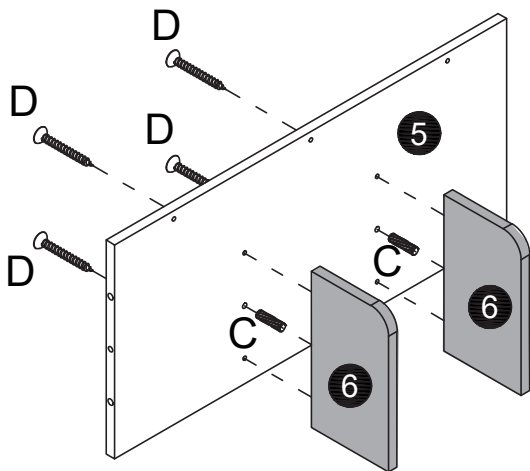
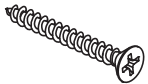
C x8

D x8



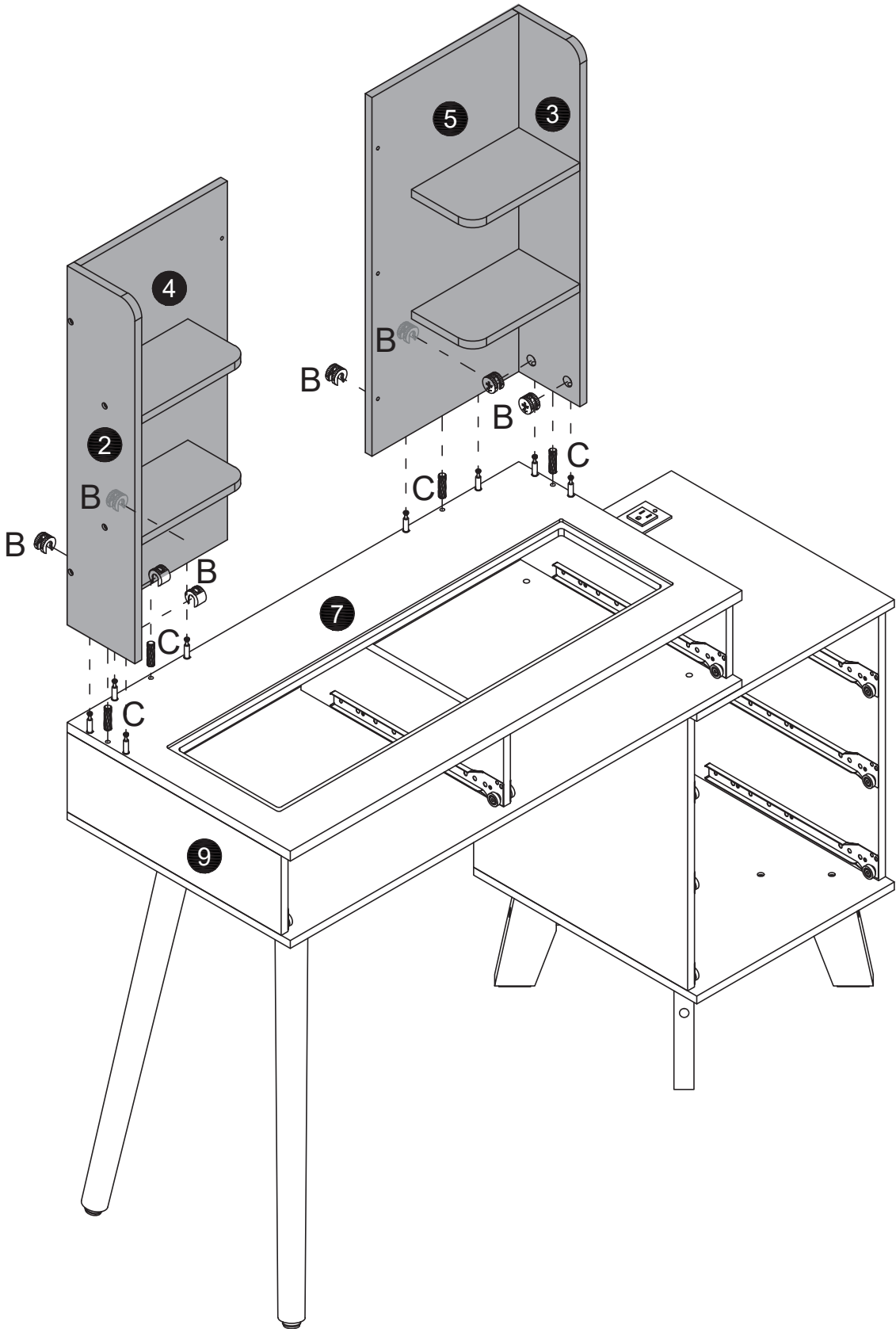
C x8

D x8

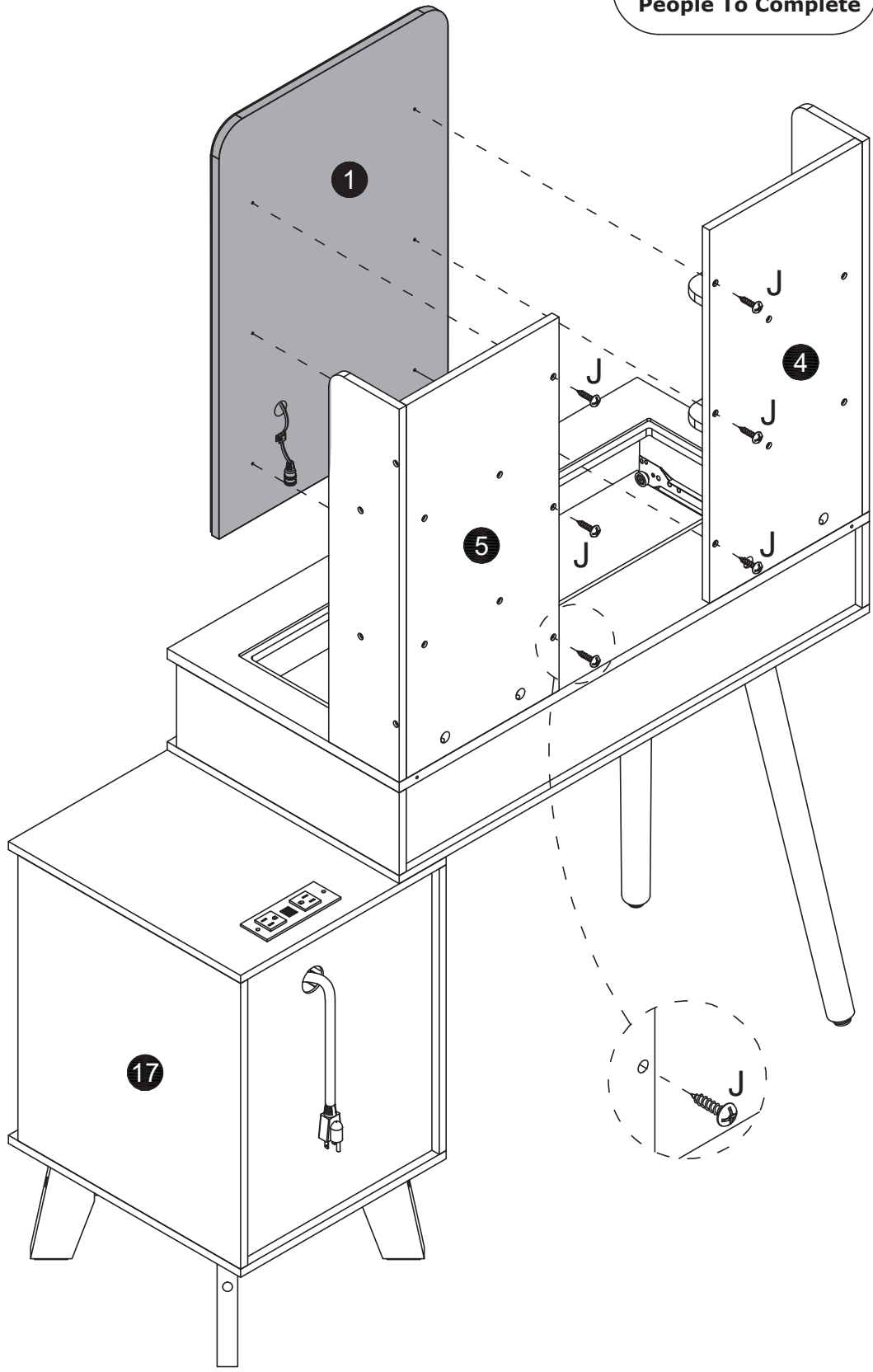
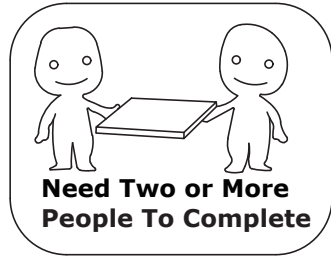
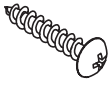


B x8

C x4

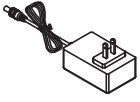


J x6



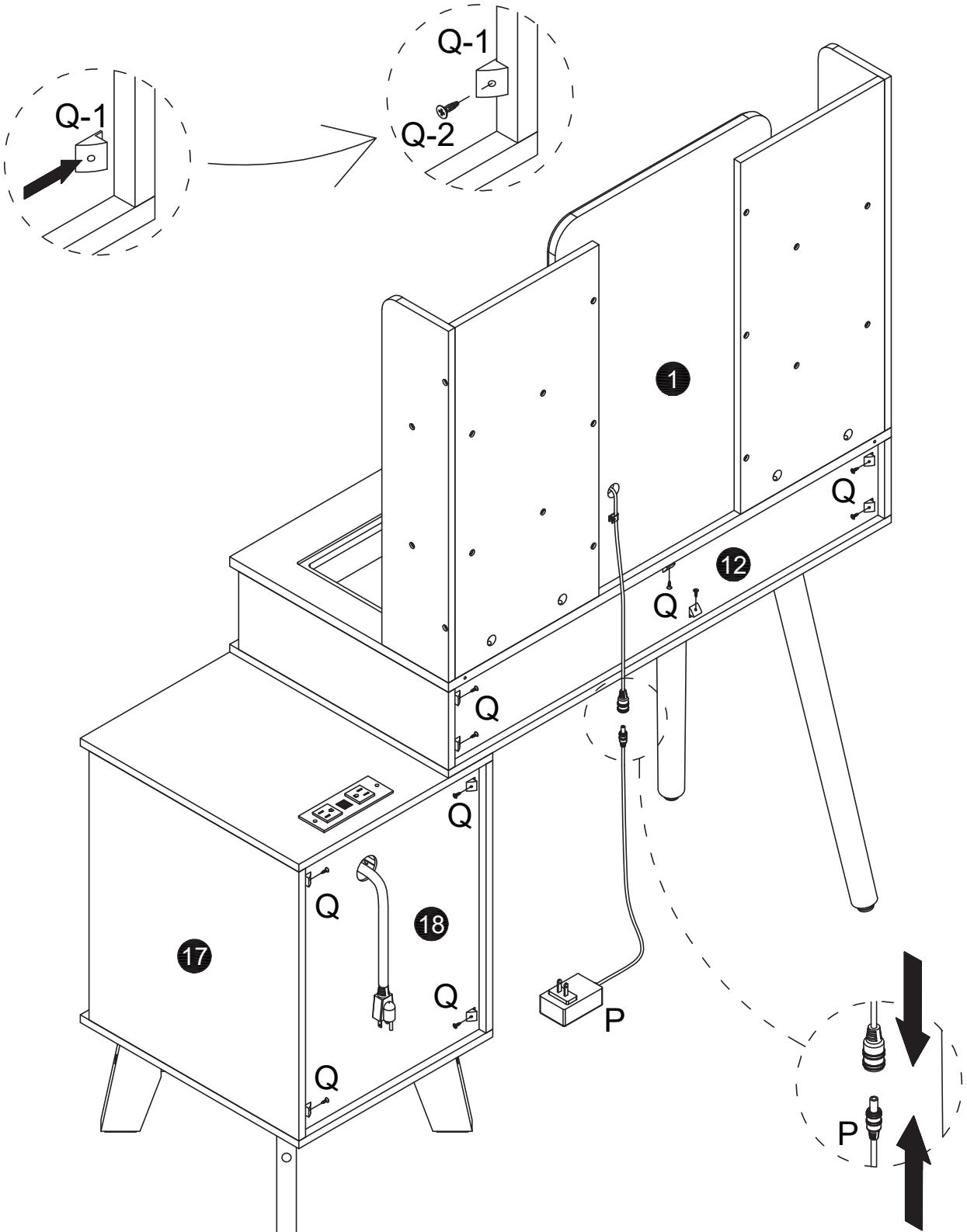
P x1

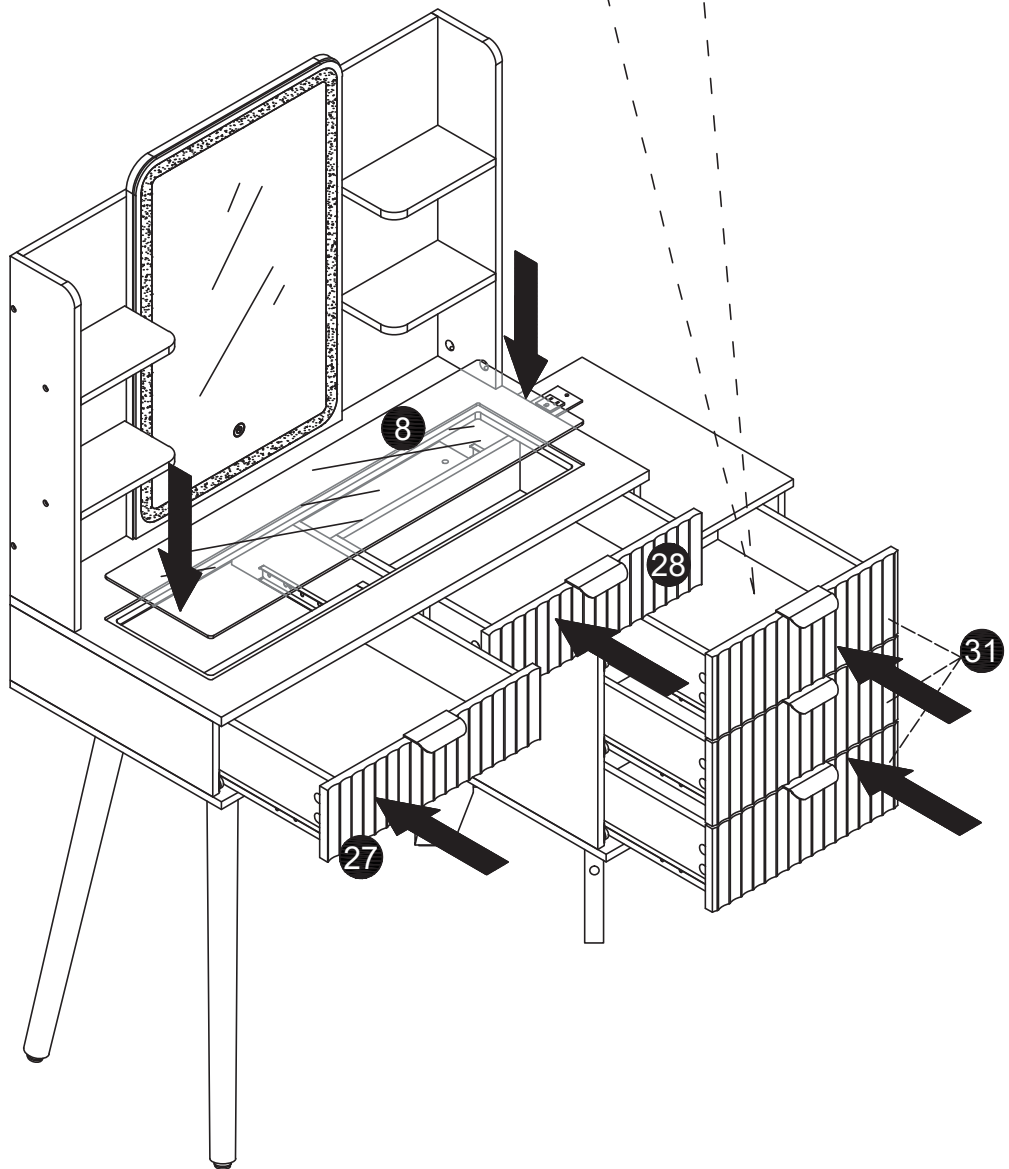
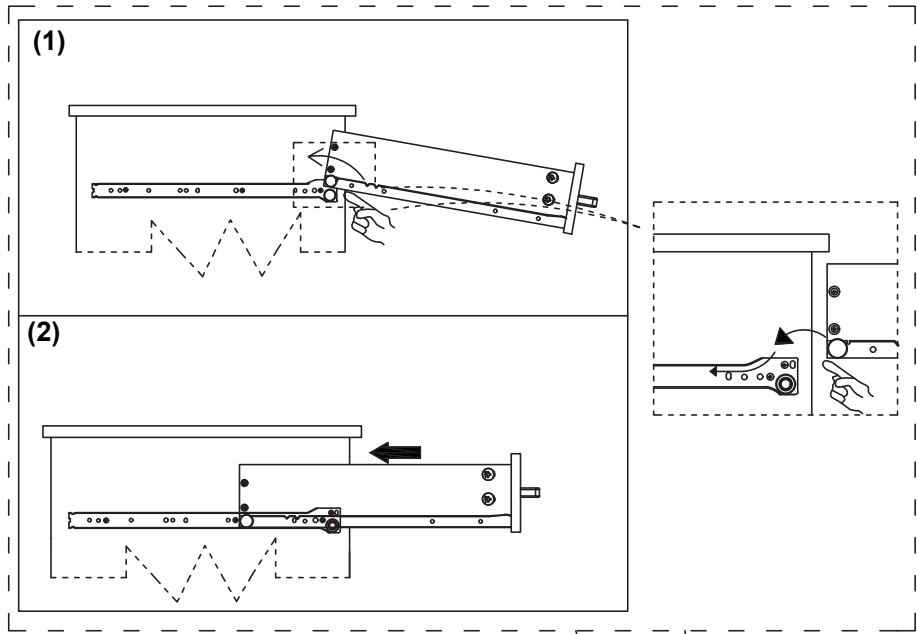
Q x10

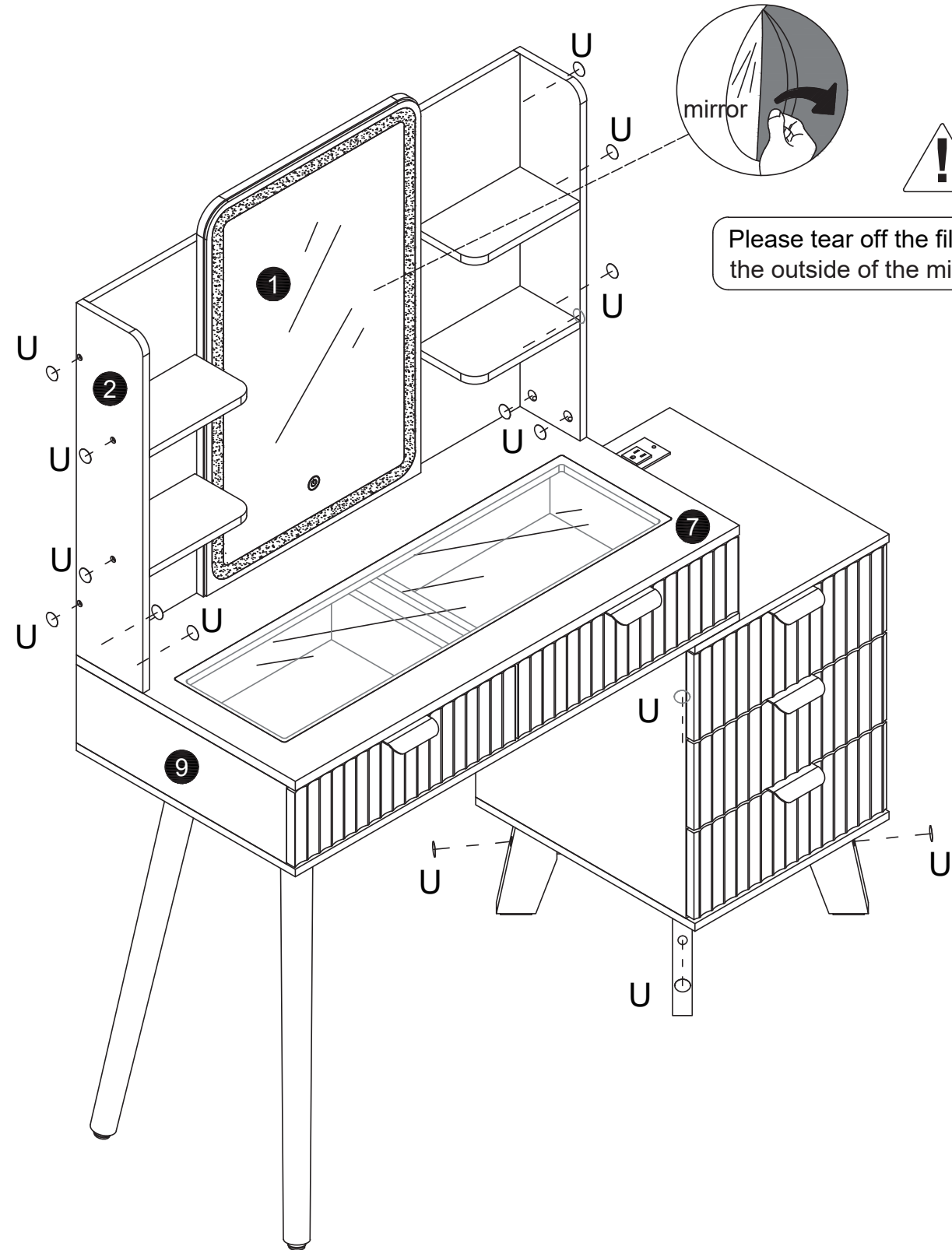


Q-1

Q-2

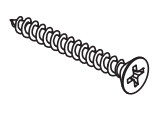




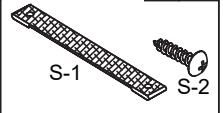


Please tear off the film on the outside of the mirror.

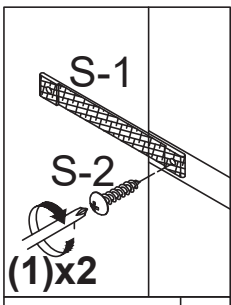
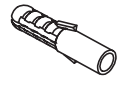
D x2



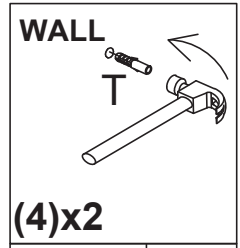
S x2



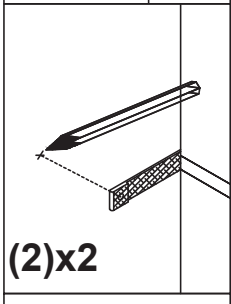
T x2



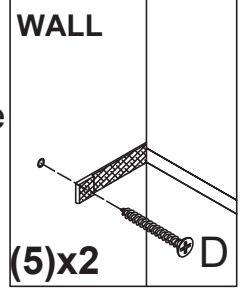
First fix the anti-rewind screw in the reserved hole of the product.



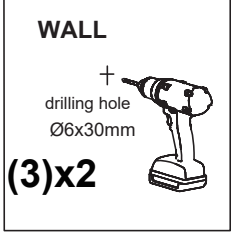
Then, put the expansion bolt into the hole



then, use a ruler to measure the approximate height of the product on the wall, and then mark it with a pen.



Finally, pass the matching screws through the "anti-rewind" and tighten them to fix them on the wall.



Then use a tape drill to make holes in the wall that are suitable for the product screws.

