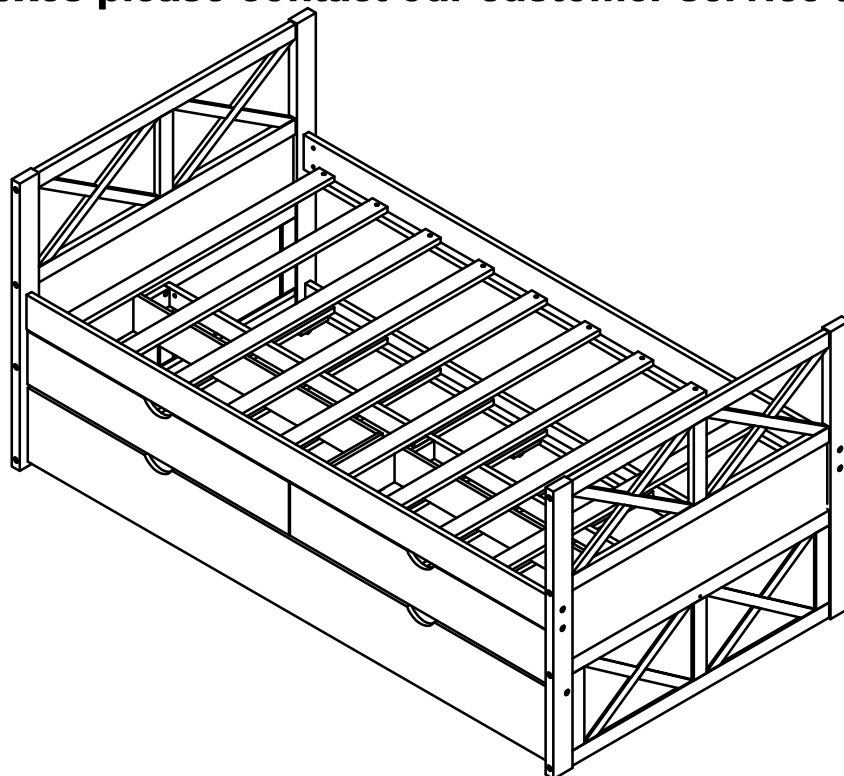


ASSEMBLY INSTRUCTION

This set is included 2 boxes if don't receive full 2 boxes please contact our customer service team



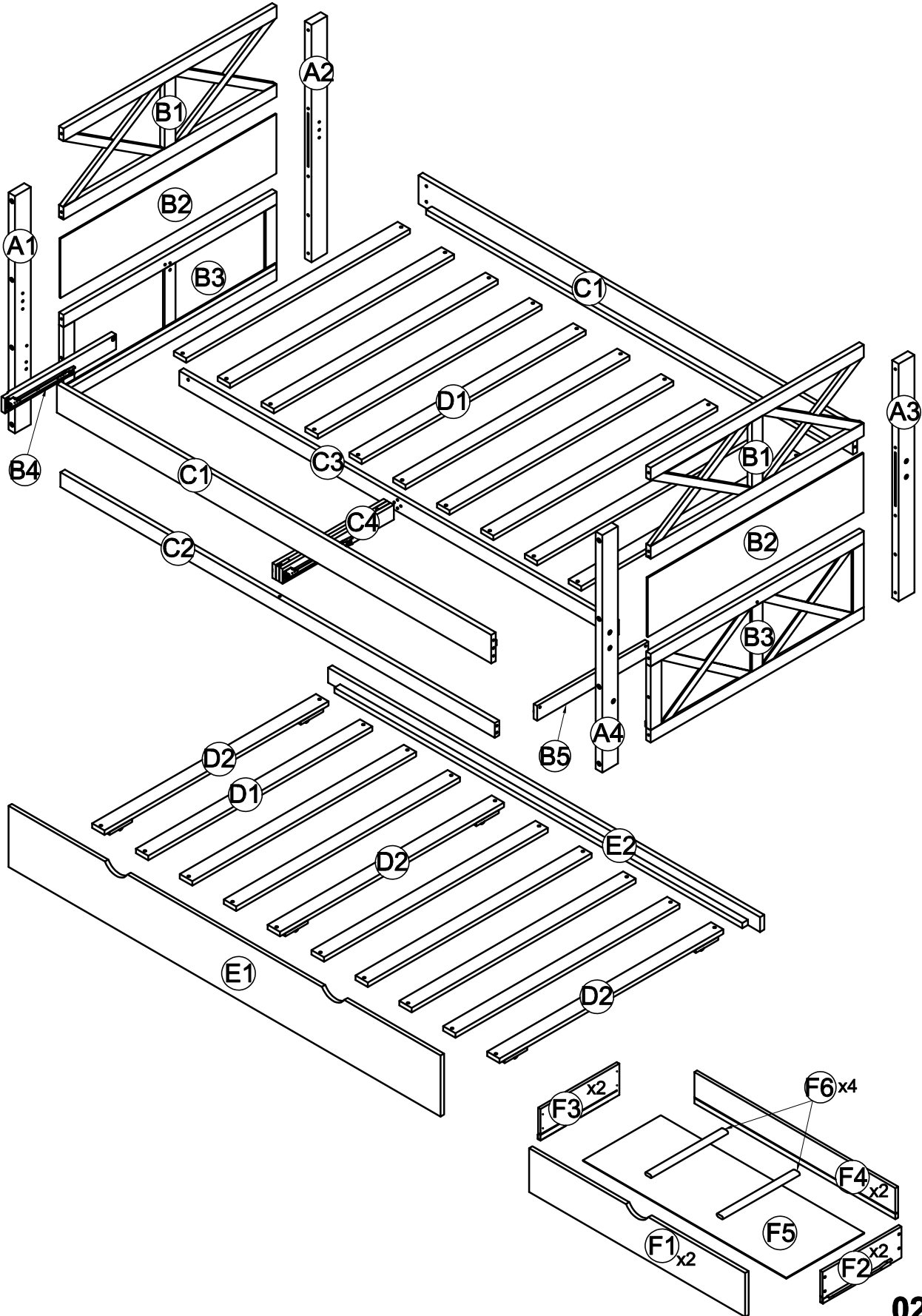
SAFETY WARNINGS





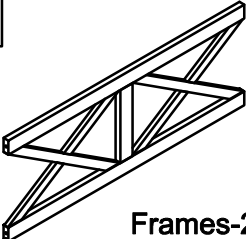
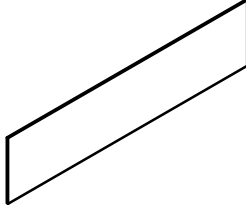
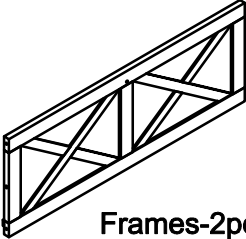
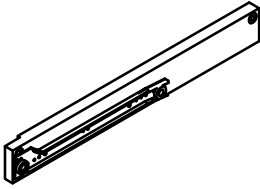
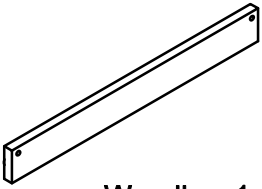
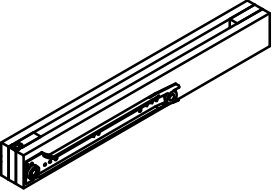
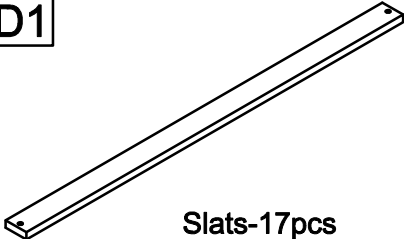
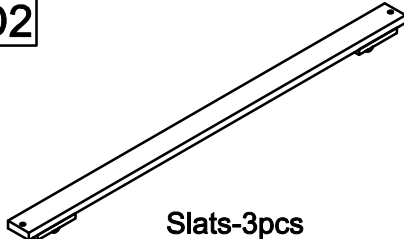
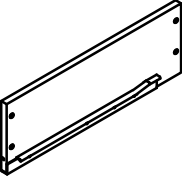
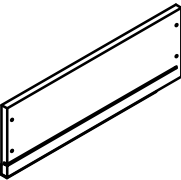
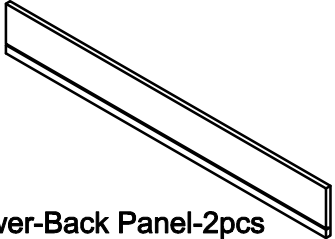
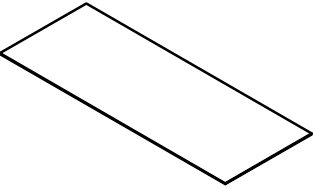
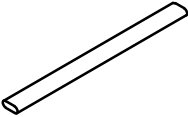
1. Follow the information on the warning label appearing on the upper bunk end structure and on the carton... Do not remove warning label from bed.
2. Always use the recommended size mattress or mattress support, or both, to help prevent the likelihood of entrapment or falls.
3. Surface of mattress must be at least 5 inches below the upper edge of guard rails.
4. Do not allow children under 6 years to use the upper bunk.
5. Prohibit more than one person on upper bunk.
6. Periodically check and ensure that the guardrail, ladder, and other components are in their proper position, free from damage, and that all connectors are tight.
7. Do not allow horseplay on or under the bed and prohibit jumping on the bed.
8. Always use the ladder for entering and leaving upper bunk.
9. Do not use substitute part. Contact the manufacturer or dealer for replacement part.
10. Use of night light may provide added safety precaution for a child using the upper bunk.
11. If the bunk bed will be placed next to a wall, the guardrail that runs the full length of the bed should be placed against the wall to prevent entrapment between the bed and the wall.
12. Always use guardrail on both long sides of the upper bunk.
13. The use of water or sleep flotation mattresses is prohibited.
14. Keep these instruction for future reference.
15. Strangulation Hazard - Never attach or hang items to any part of the bunk bed that are not designed for use with the bed, for example, but not limited to hooks, belts and jump rores.
16. Trundle : Only use for mattress 6 inch.

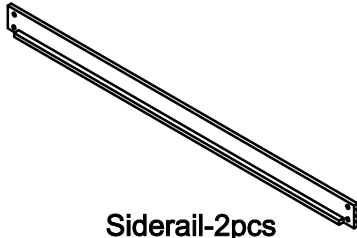
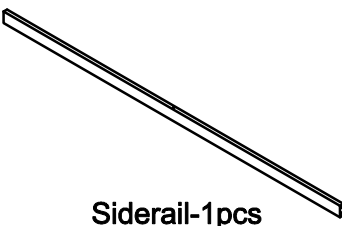
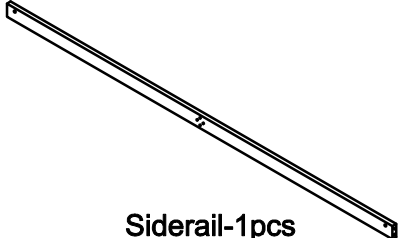
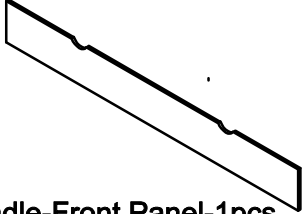

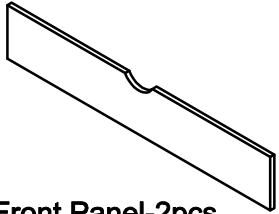
PLEASE DO NOT RETURN PRODUCT TO THE STORE

if you have any problem or concerns, please feel free to contact our customer service department. We will reply you as soon as possible.

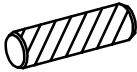
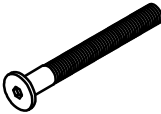
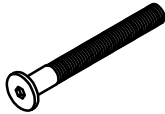

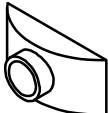
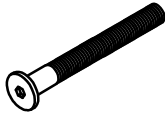
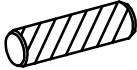


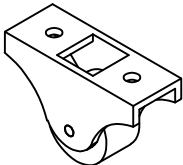

ASSEMBLY INSTRUCTION

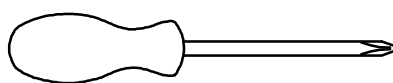


<p>A1</p>  <p>Leg(Front-left)-1pcs</p>	<p>A2</p>  <p>Leg(Back-left)-1pcs</p>	<p>A3</p>  <p>Leg(Back-Right)-1pcs</p>
<p>A4</p>  <p>Leg(Front-Right)-1pcs</p>	<p>B1</p>  <p>Frames-2pcs</p>	<p>B2</p>  <p>Panels-2pcs</p>
<p>B3</p>  <p>Frames-2pcs</p>	<p>B4</p>  <p>Woodbar-1pcs</p>	<p>B5</p>  <p>Woodbar-1pcs</p>
<p>C4</p>  <p>Centerrail-1pcs</p>	<p>D1</p>  <p>Slats-17pcs</p>	<p>D2</p>  <p>Slats-3pcs</p>
<p>F2</p>  <p>Drawer-Side Panel-2pcs</p>	<p>F3</p>  <p>Drawer-Side Panel-2pcs</p>	<p>F4</p>  <p>Drawer-Back Panel-2pcs</p>
<p>F5</p>  <p>Drawer-Bottom Panel-2pcs</p>	<p>F6</p>  <p>Drawer-Support Bottom Panel 4pcs</p>	

<p>C1</p>  <p>Siderail-2pcs</p>	<p>C2</p>  <p>Siderail-1pcs</p>	<p>C3</p>  <p>Siderail-1pcs</p>
<p>E1</p>  <p>Trundle-Front Panel-1pcs</p>	<p>E2</p>  <p>Trundle-Back Panel-1pcs</p>	<p>F1</p>  <p>Drawer-Front Panel-2pcs</p>

Hardware List

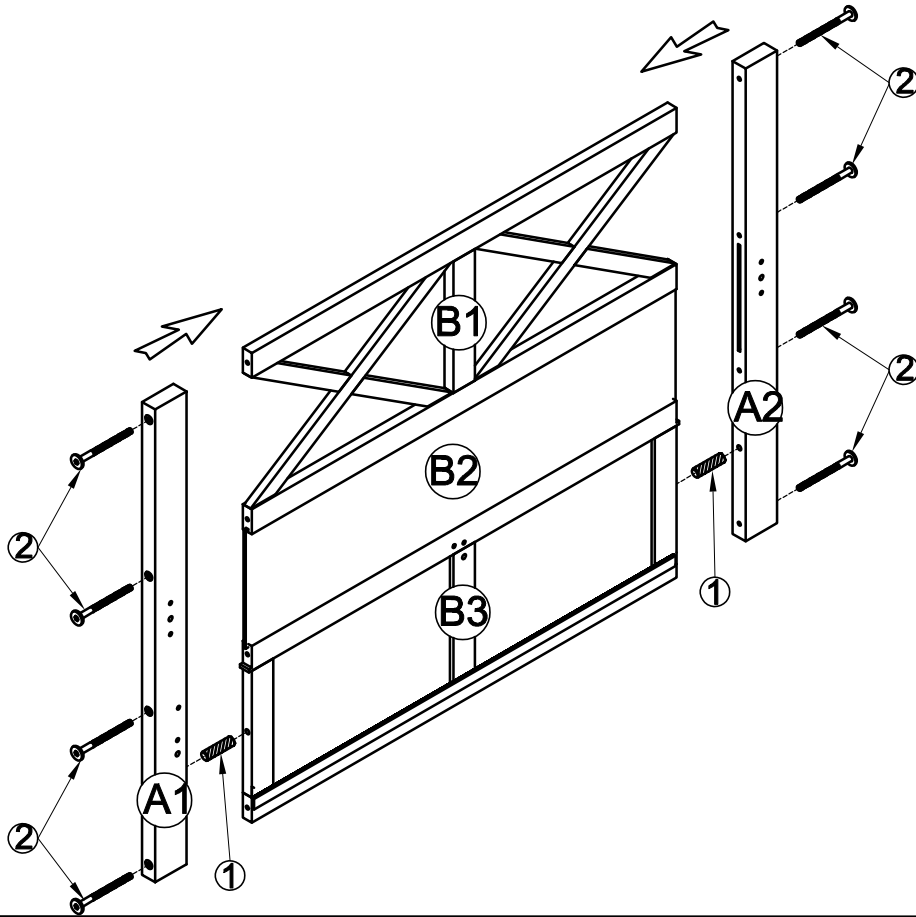
<p>1</p>  <p>Ø10 x 40 mm Wood dowel 12pcs</p>	<p>2</p>  <p>Ø1/4" x 80 mm Hex-Head bolts 16pcs</p>	<p>3</p>  <p>Ø1/4" x 30 mm Hex-Head bolts 5pcs</p>
<p>4</p>  <p>Ø1/4" x 13 mm Horizontal-Hole bolts 4pcs</p>	<p>5</p>  <p>Ø1/4" Half Moon 8pcs</p>	<p>6</p>  <p>Ø1/4" x 70 mm Hex-Head bolts 13pcs</p>
<p>7</p>  <p>Ø8 x 30 mm Wood dowel 2pcs</p>	<p>8</p>  <p>M4 x 30 mm Wood Screws 60pcs</p>	<p>9</p>  <p>M4 x 20 mm Wood Screws 12pcs</p>
<p>10</p>  <p>Wheels 6pcs</p>	<p>11</p>  <p>Allen Key 1pc</p>	



Assembly Tools Required (Not Included)

STEP 1-1: Following below illustration Assembly Headboard. Using hardware #2 and Dowel #1

connect A1 and A2 legs with B1 Frame, B2 Panel, B3 Frame.

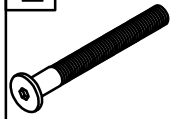


1



2pcs

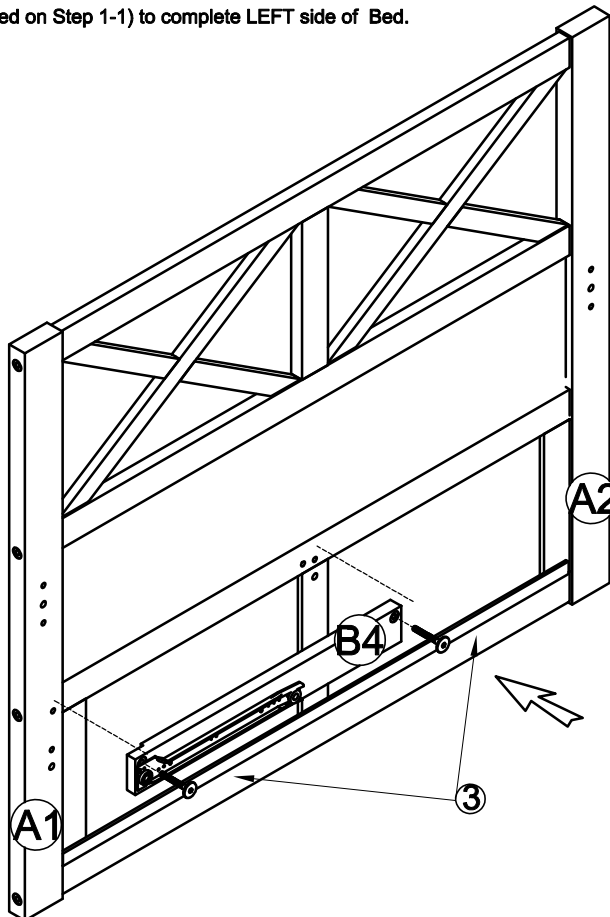
2



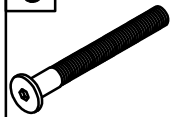
8pcs

STEP 1-2: Following below illustration Assembly Headboard . Using hardware #3

connect B4 Woodbar with Frame(completed on Step 1-1) to complete LEFT side of Bed.



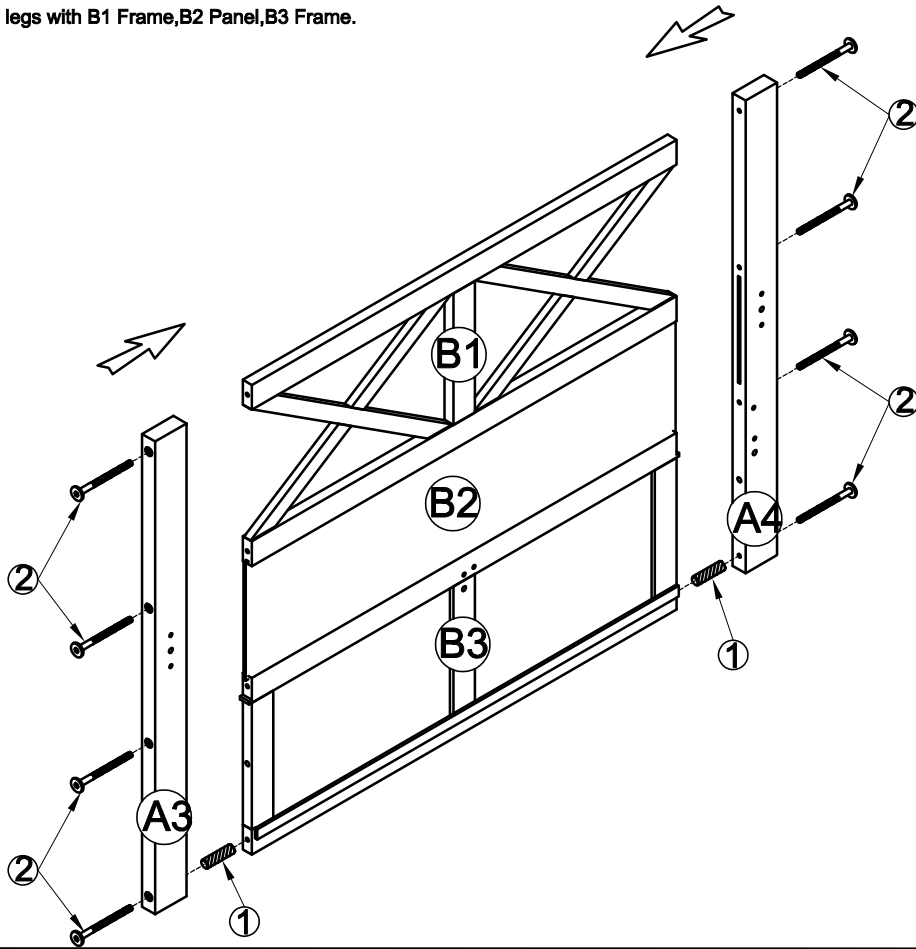
3


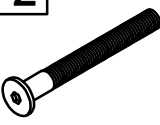


2pcs

STEP 2-1: Following below illustration Assembly Footboard. Using hardware #2 and Dowel #1

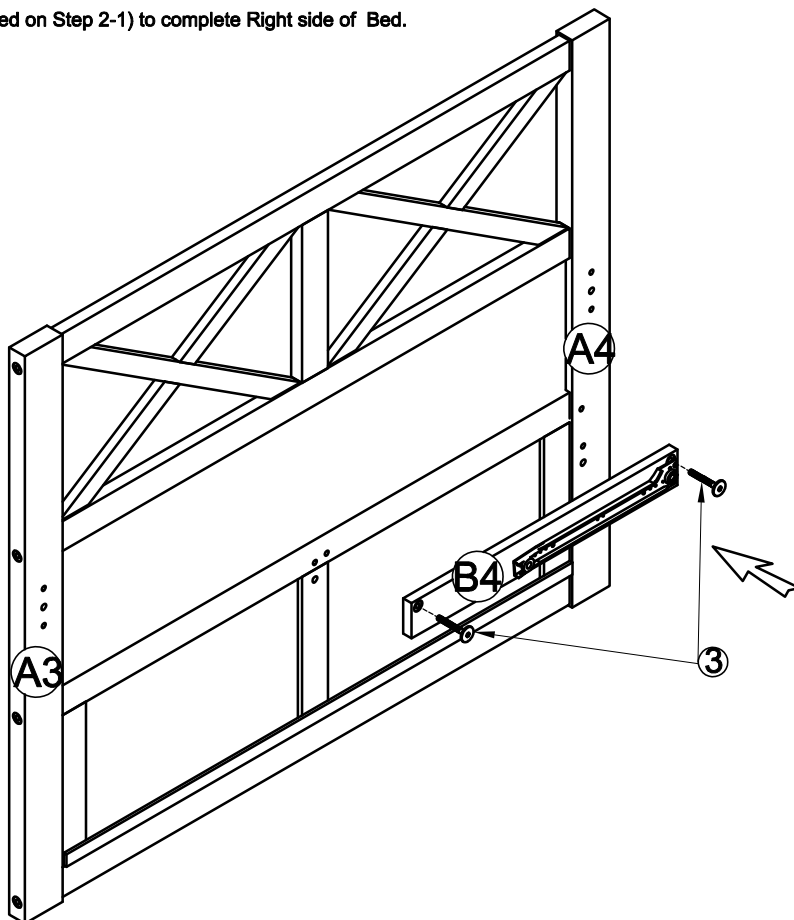
connect A3 and A4 legs with B1 Frame, B2 Panel, B3 Frame.

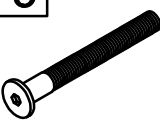


1	
	2pcs
2	
	8pcs


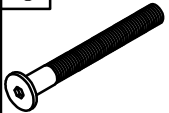

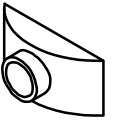
STEP 2-2: Following below illustration Assembly Footboard . Using hardware #3

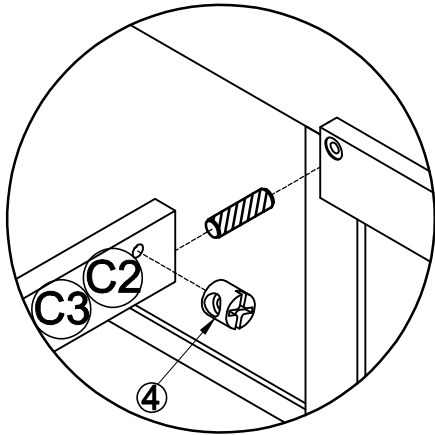
connect B5 Woodbar with Frame(completed on Step 2-1) to complete Right side of Bed.



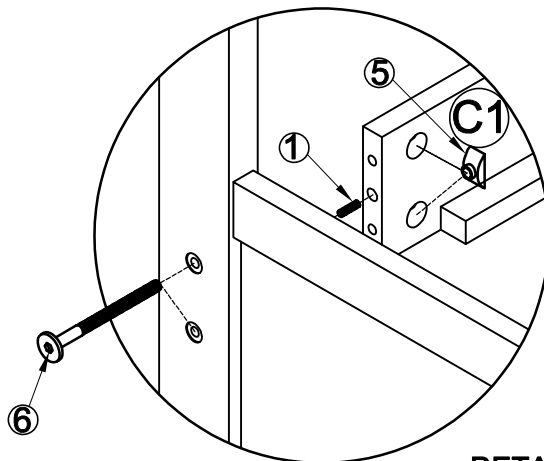
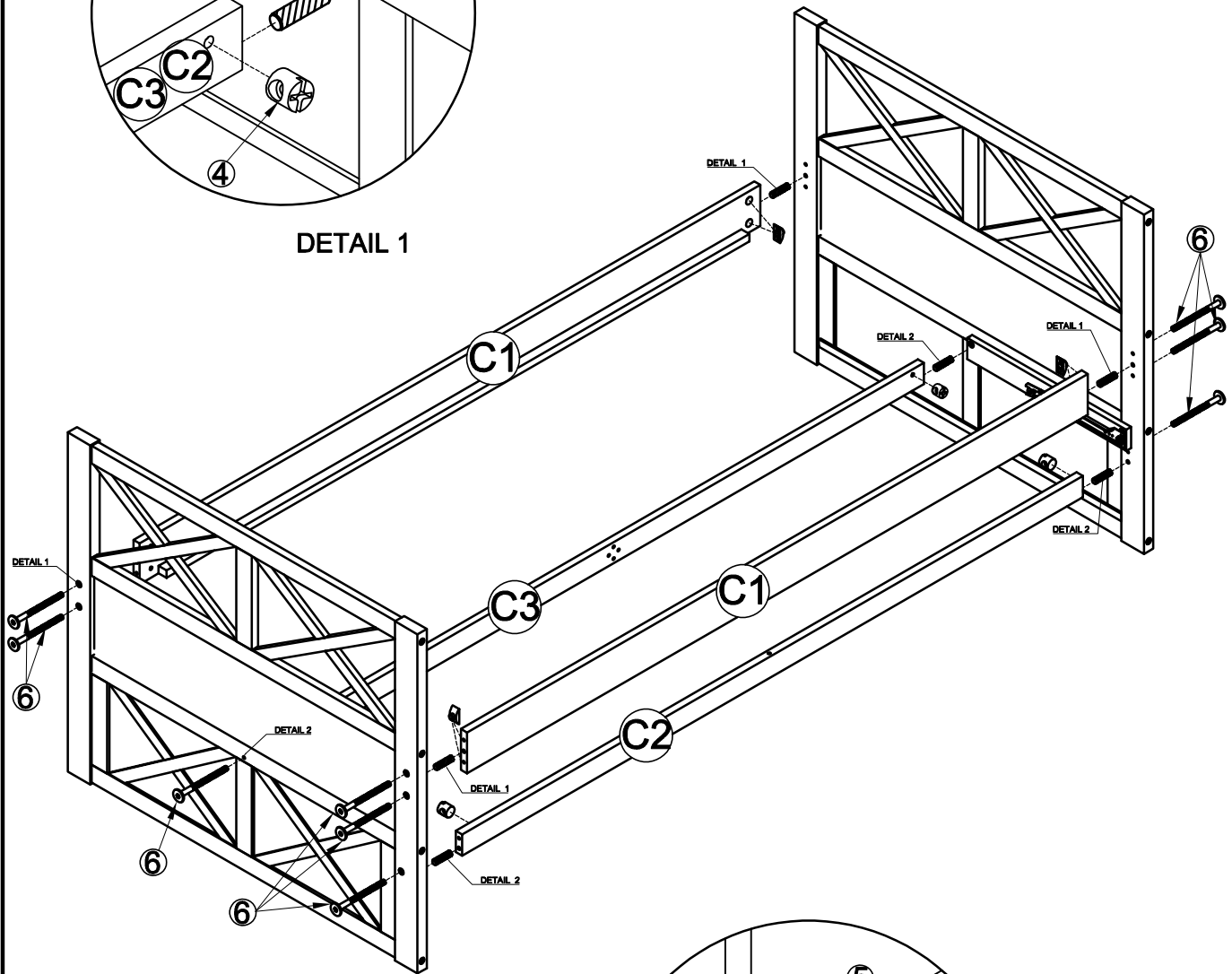
3	
	2pcs

STEP 3: Following below illustration Using hardware #4, #5,#6 and dowel #1 to Assembly Headboard and Footboard with siderail C1(2),C2,C3.
 Look at detail view for more detail

<p>4</p>  <p>4pcs</p>	<p>6</p>  <p>12pcs</p>	<p>1</p>  <p>8pcs</p>
<p>5</p>  <p>8pcs</p>		

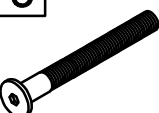

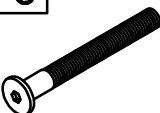


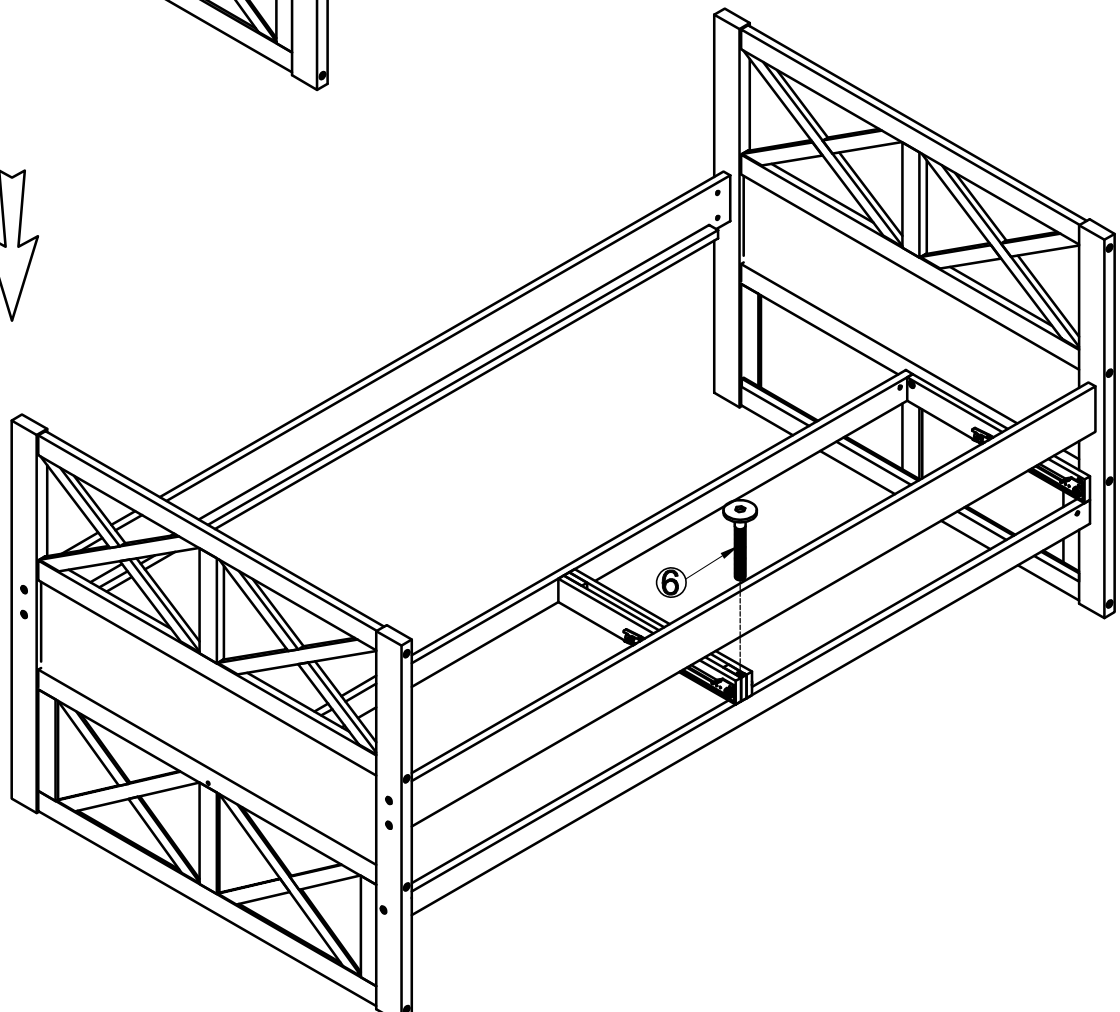
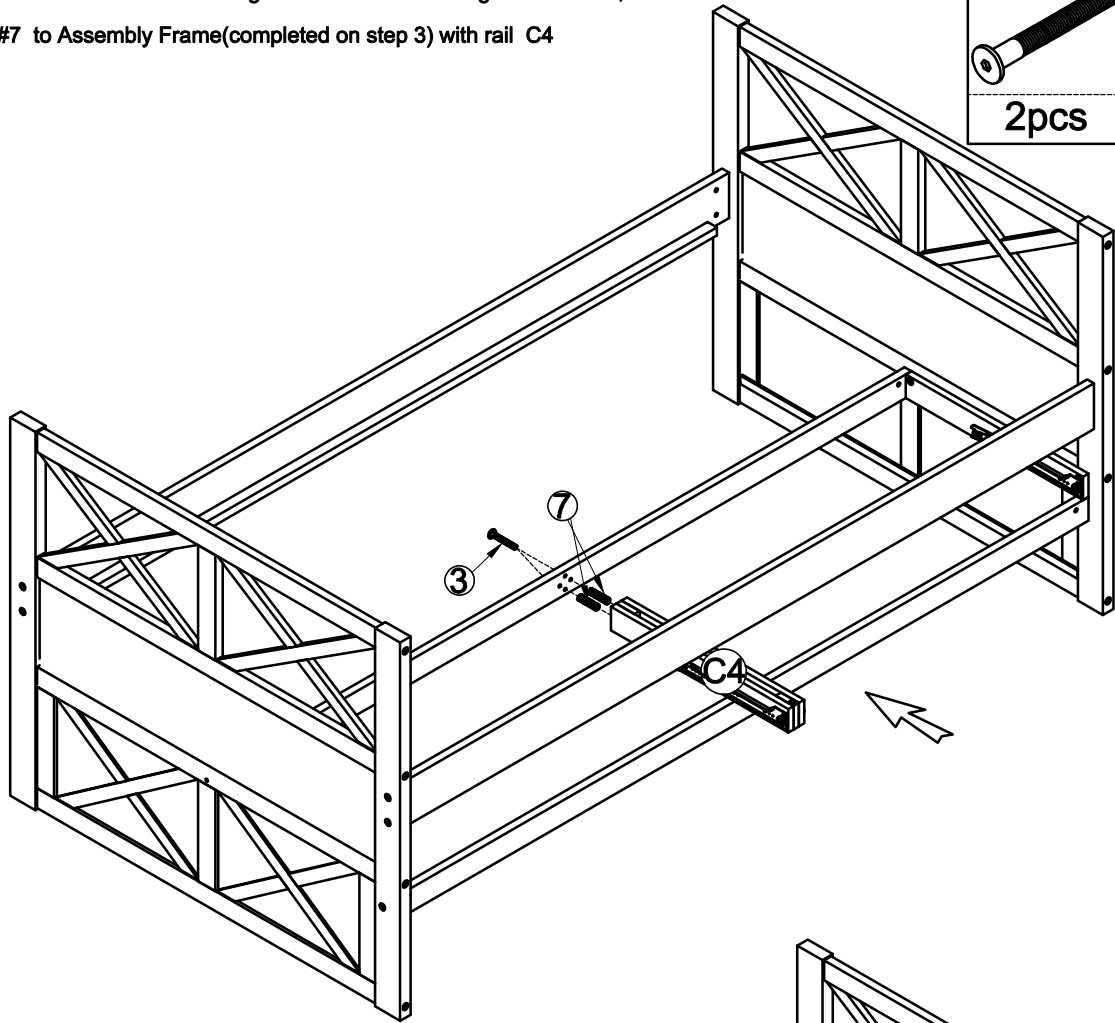
DETAIL 1



DETAIL 1

STEP 4: Following below illustration Using hardware #3,#6 and
dowel #7 to Assembly Frame(completed on step 3) with rail C4

3 	7 
2pcs	2pcs
6 	
1pcs	



STEP 5:

Following below illustration:

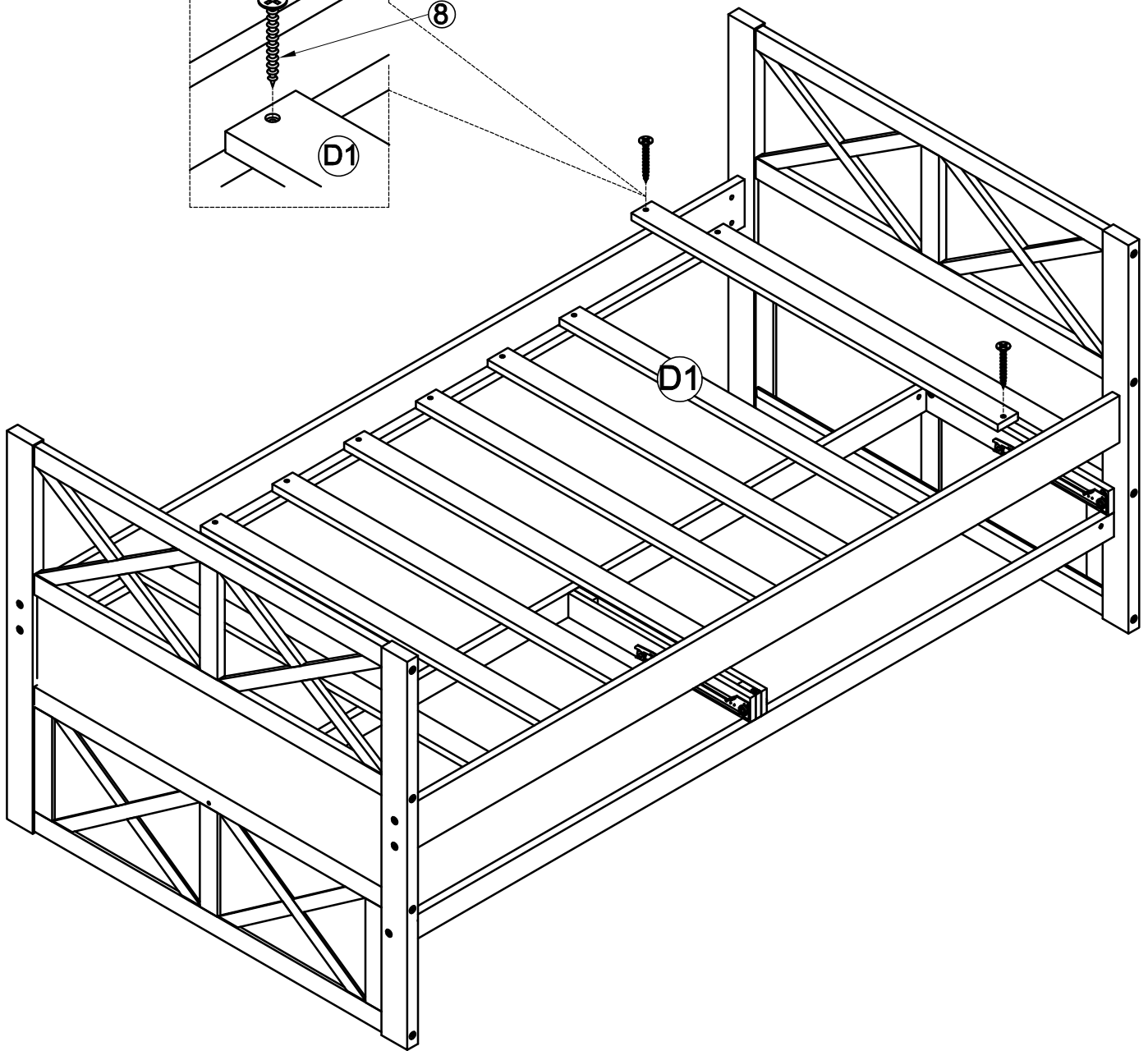
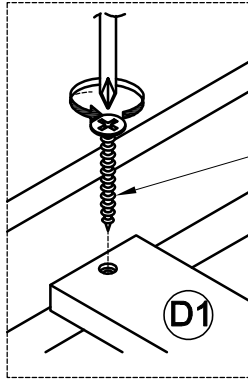
Screw 10 slats D1 with Side Rail C1(2) by using hardware #8.

-Look at detail view for more detail

8

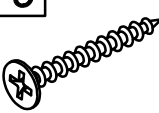
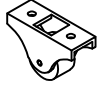


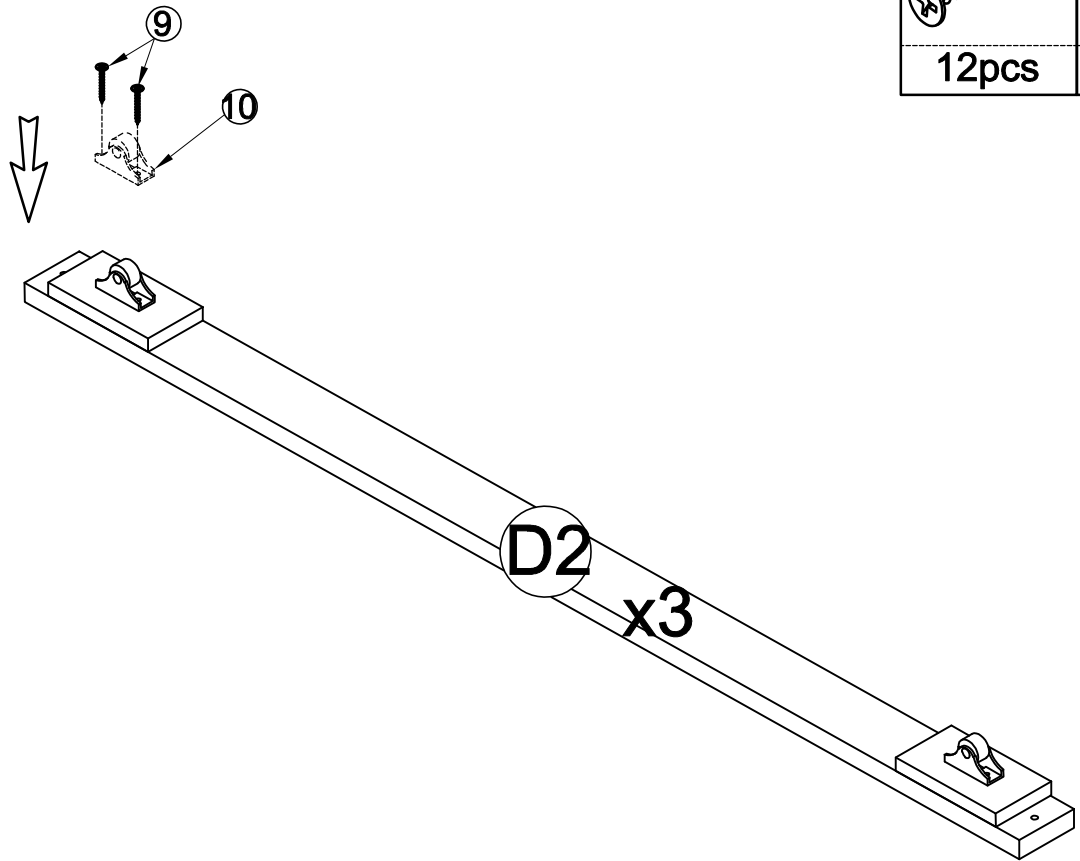
20(pcs)



STEP 6-1: Following below illustration:


-Using hardware #9 to connect Wheels #10 With Slats D2(x3)

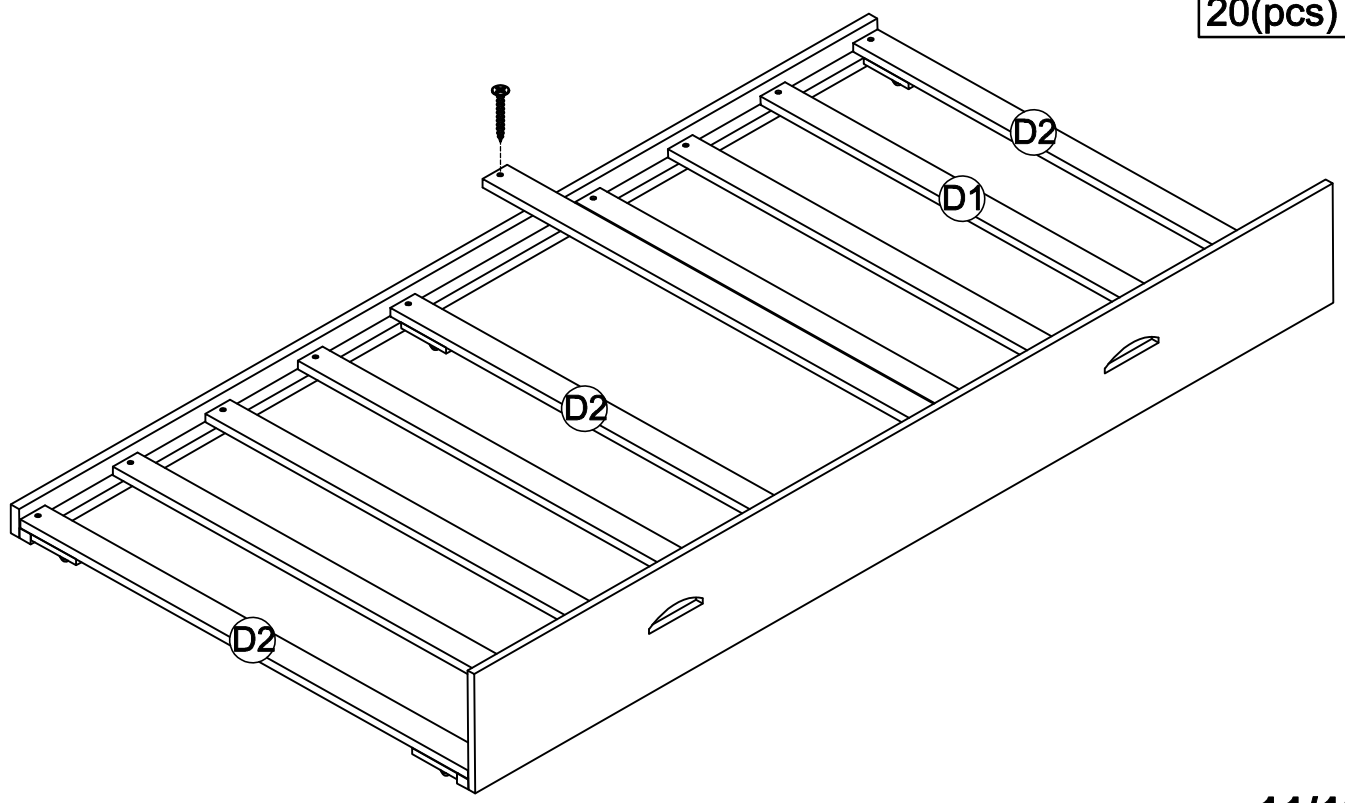
9	10
	
12pcs	6pcs



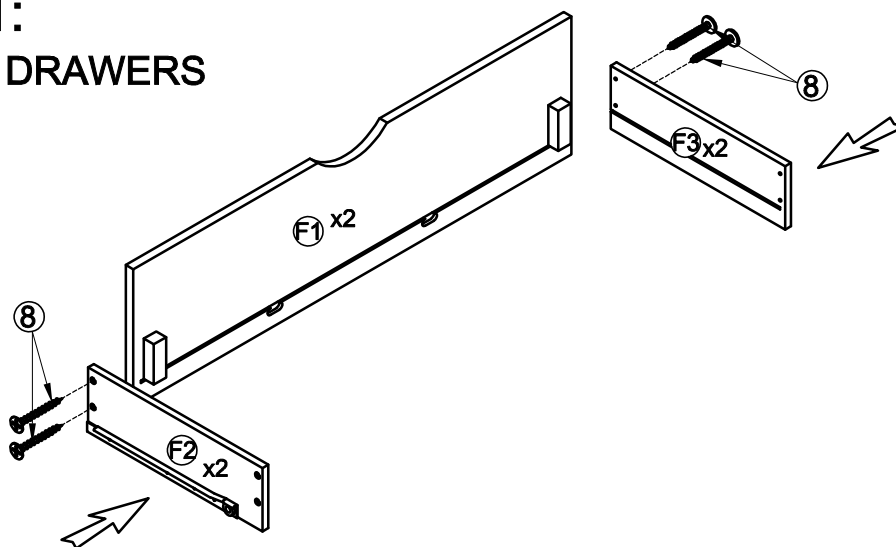
STEP 6-2: Following below illustration:


Screw 7 slats D1 and 3 slats D2 with Front Trundle E1 and Back Trundle E2 by using hardware #8.

8

20(pcs)

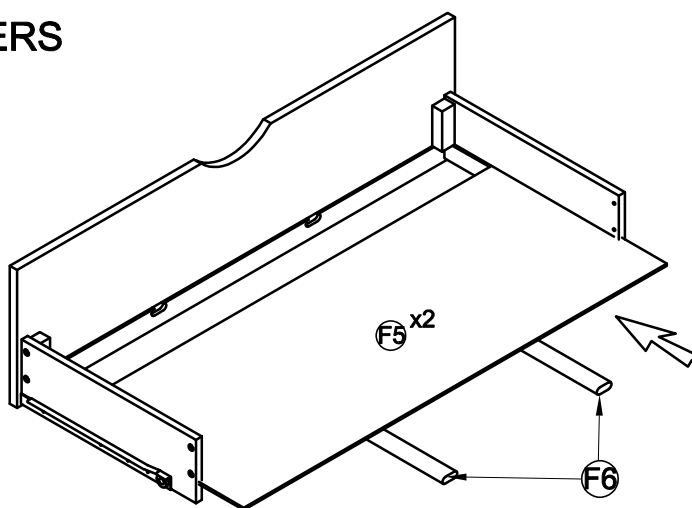


STEP 7-1: ASSEMBLY DRAWERS

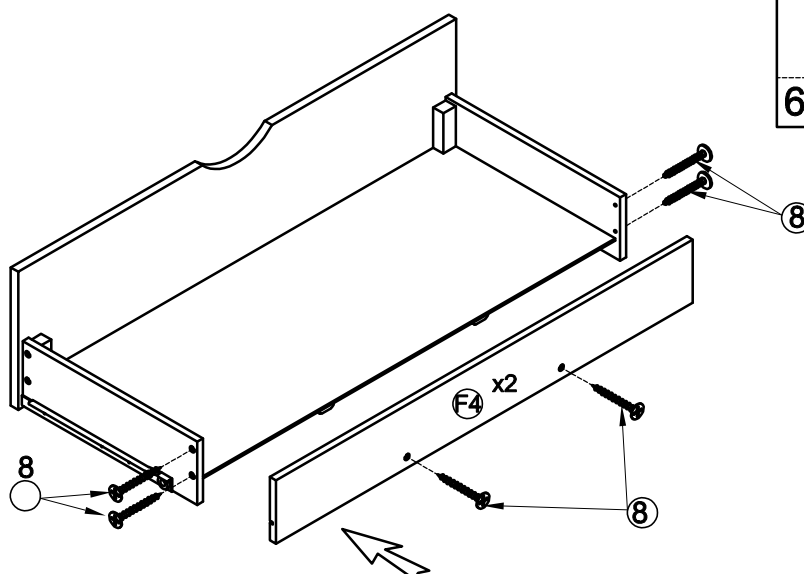



8	
4x2(pcs)	

STEP 7-2: ASSEMBLY DRAWERS



STEP 7-3: ASSEMBLY DRAWERS

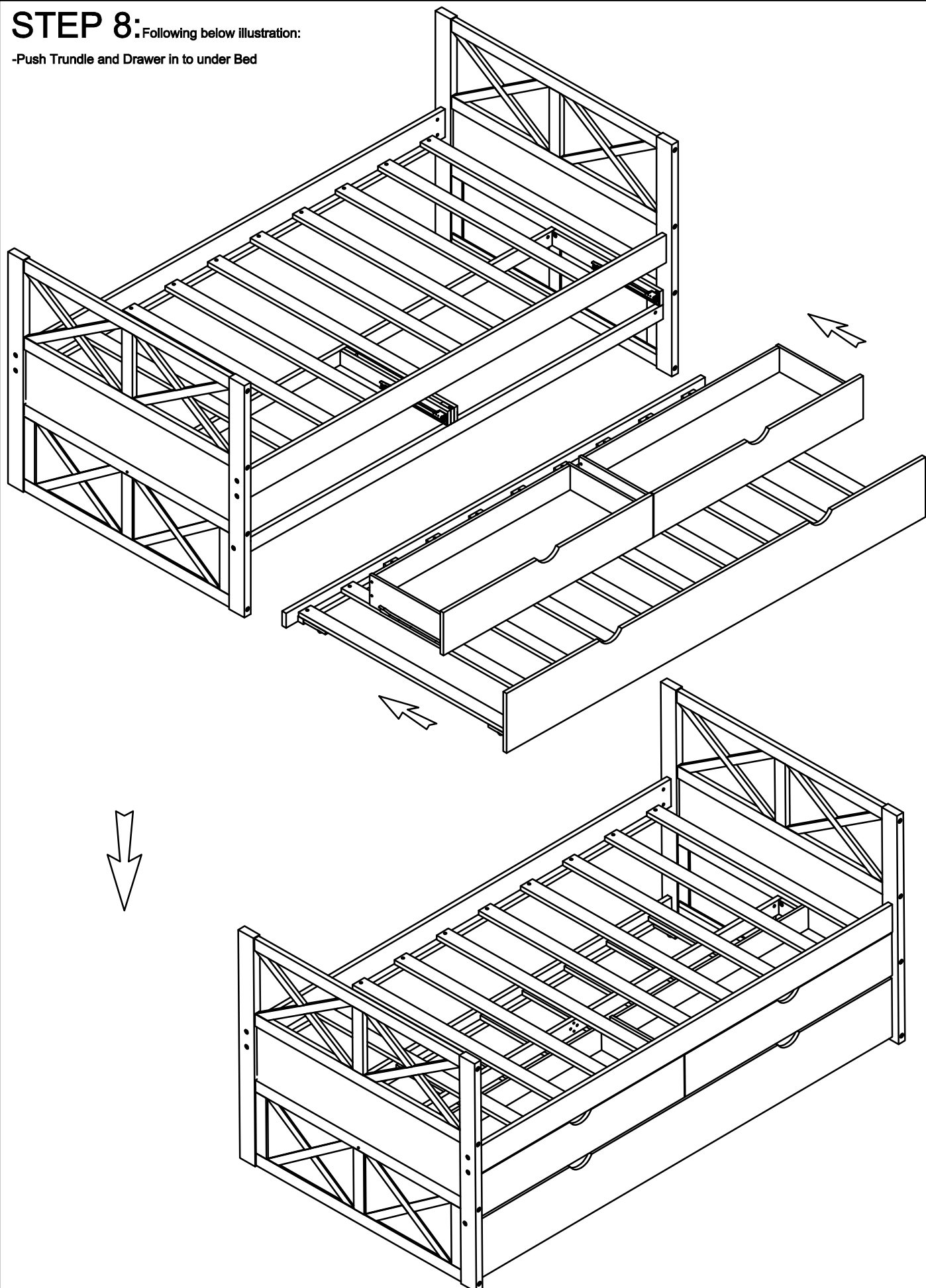


8	
6x2(pcs)	

STEP 8:

Following below illustration:

-Push Trundle and Drawer in to under Bed



CONGRARULATION. YOU HAVE COMPLETED THE BED. **13/13**