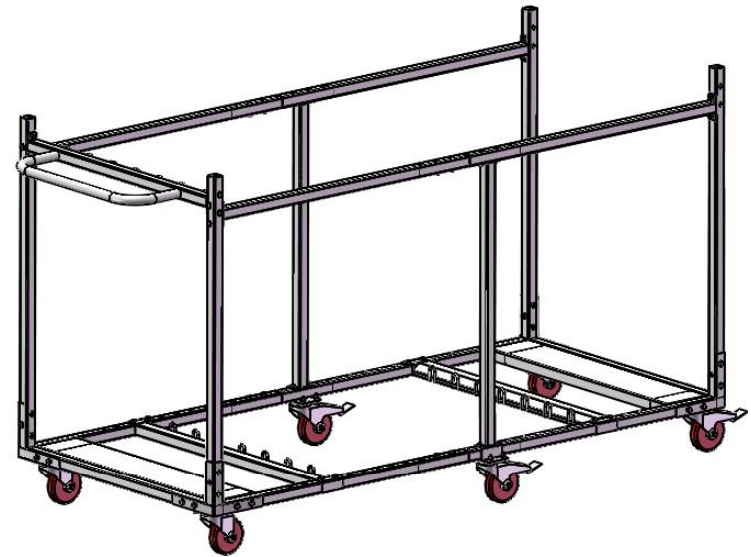
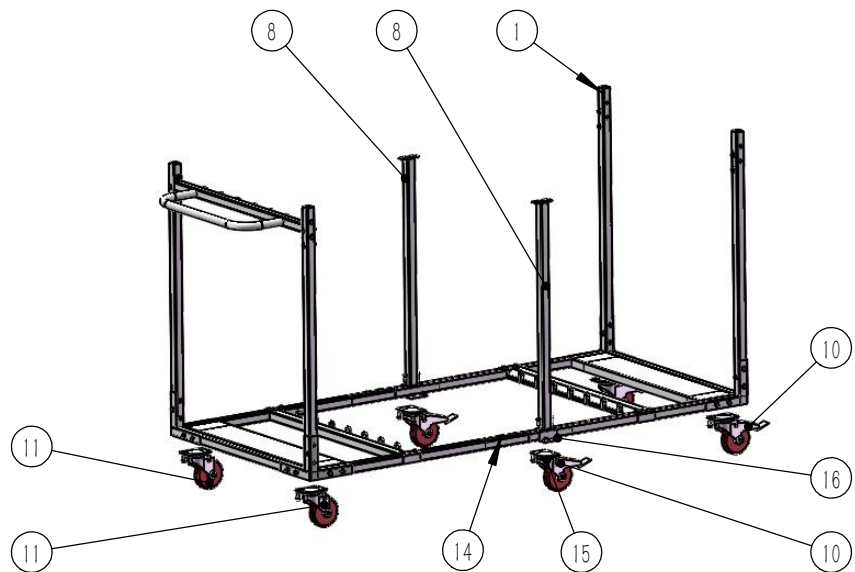


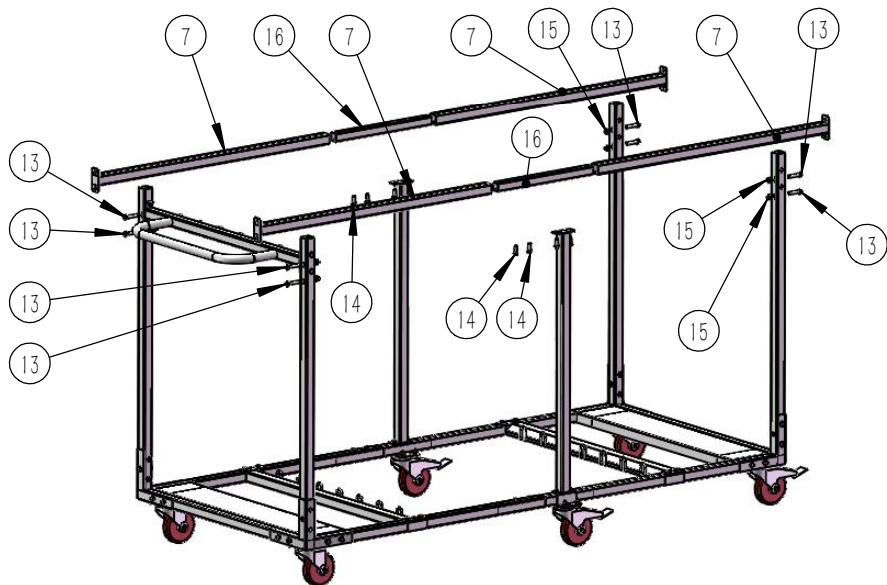
Product assembly instruction manual



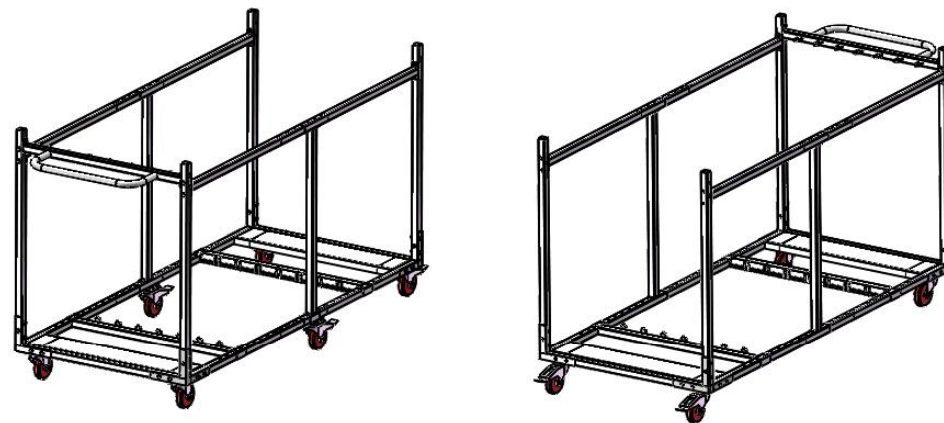
3: Install the upper component according to the diagram, pay attention to bolt lock;



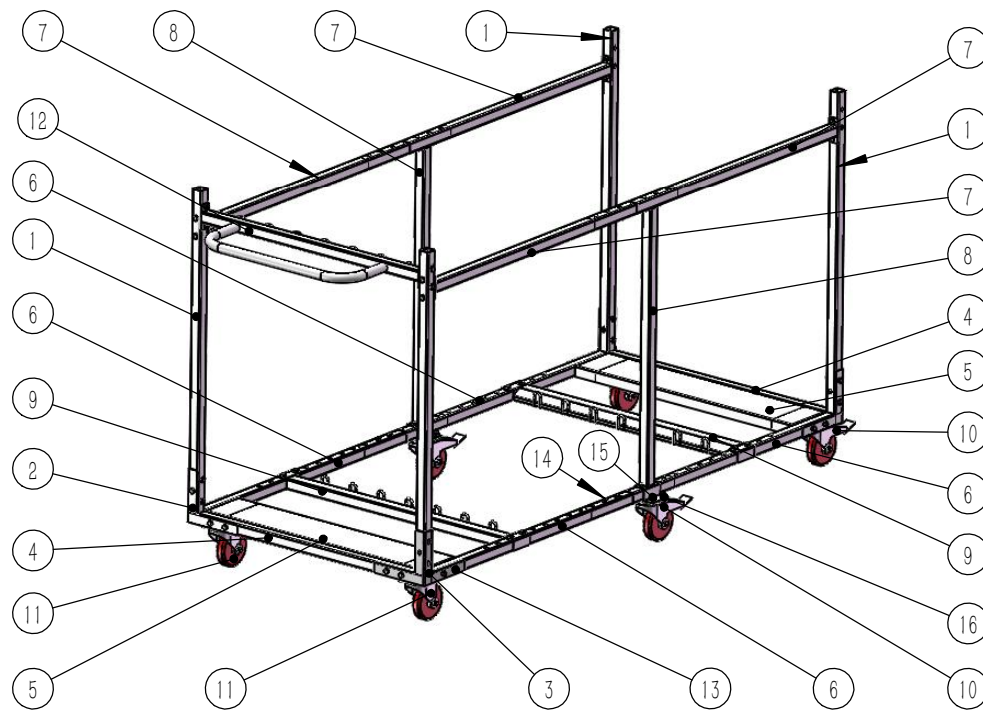
4: Install the paint hook, product assembly is completed.



1: Product introduction and display



Note: The installation methods of the above two products are basically the same. The following is the installation instructions according to the pulley type. Please pay attention to the installation and assembly according to the serial number on the picture.

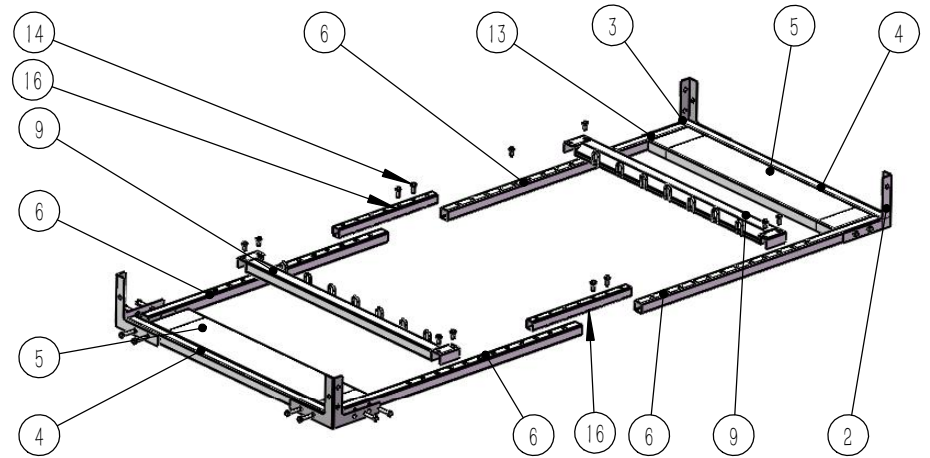


NO.	Module	Quantity	NO.	Module	Quantity
1		4 PCS	9		2 PCS
2		2 pcs	10		4 pcs
3		2 pcs	11		2 pcs
4		2 pcs	12		1 pcs
5		2 pcs	13		M8*40 40 pcs
6		4 pcs	14		M8*20 40 pcs
7		4 pcs	15		M8 32 pcs
8		2 pcs	16		4 pcs

Note: Unpack, please check whether the product accessories are complete according to the instructions. The accessories package will provide you with some more accessories, so that you can replace the accessories when they are lost or damaged during the use of your product.

2: Product assembly steps and instructions

1: Assemble and install the corresponding accessories according to the figure below



2: Assemble the components on the other side in the same way as in step 1, and then assemble the corresponding accessories according to the diagram in turn; Pay attention to the installation according to their own needs to determine the length of the product, and then lock all bolts;

