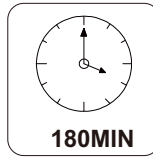
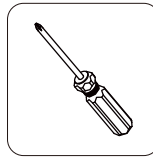
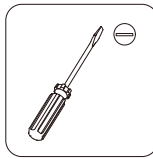
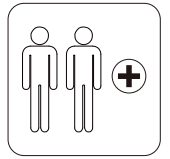


IT IS RECOMMENDED
TO USE POWER TOOLS

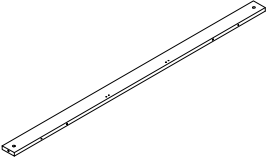
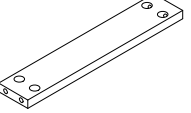
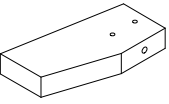
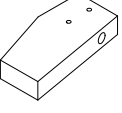
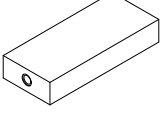
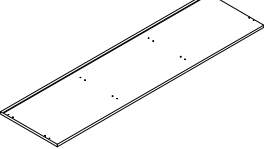
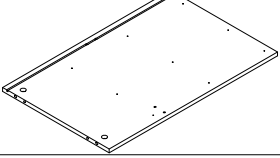
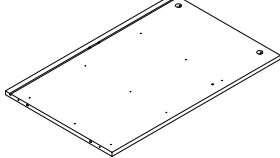
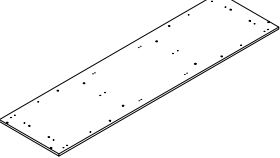
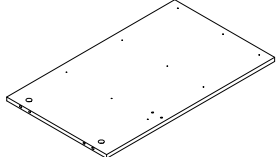
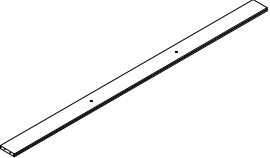


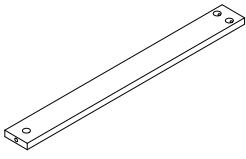
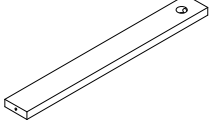
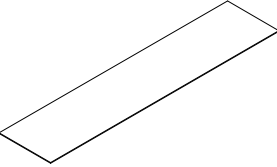
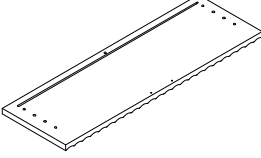
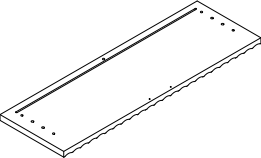
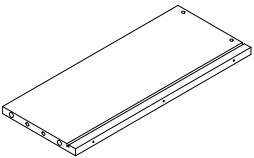
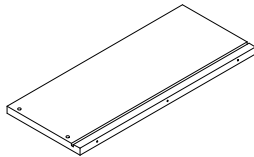
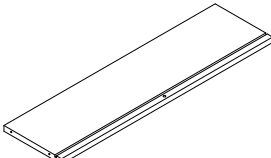
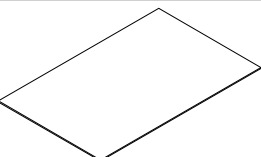
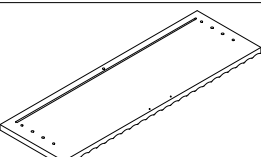
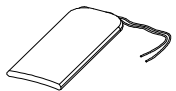
180MIN

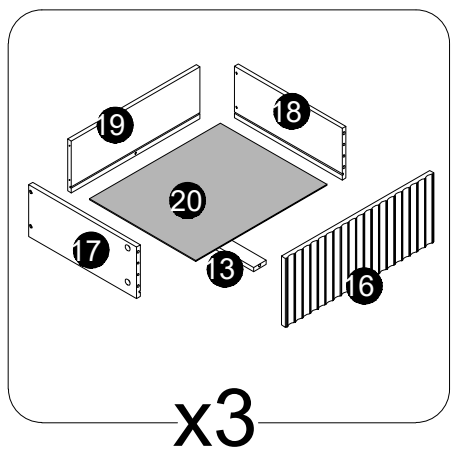
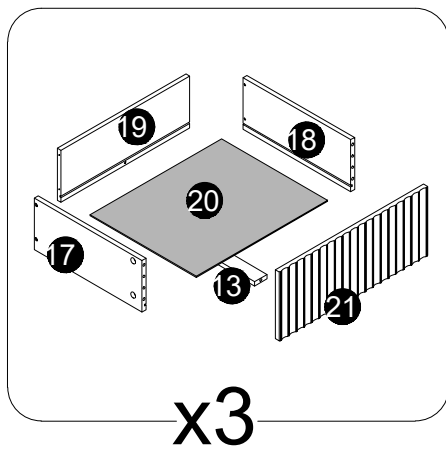
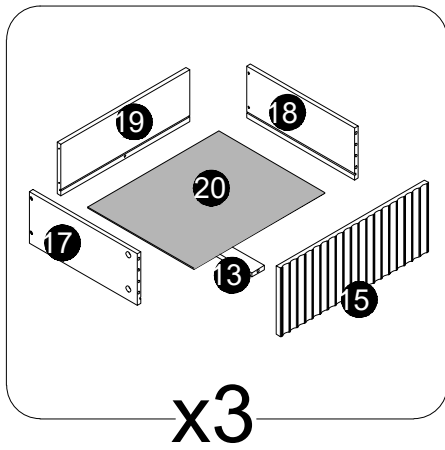
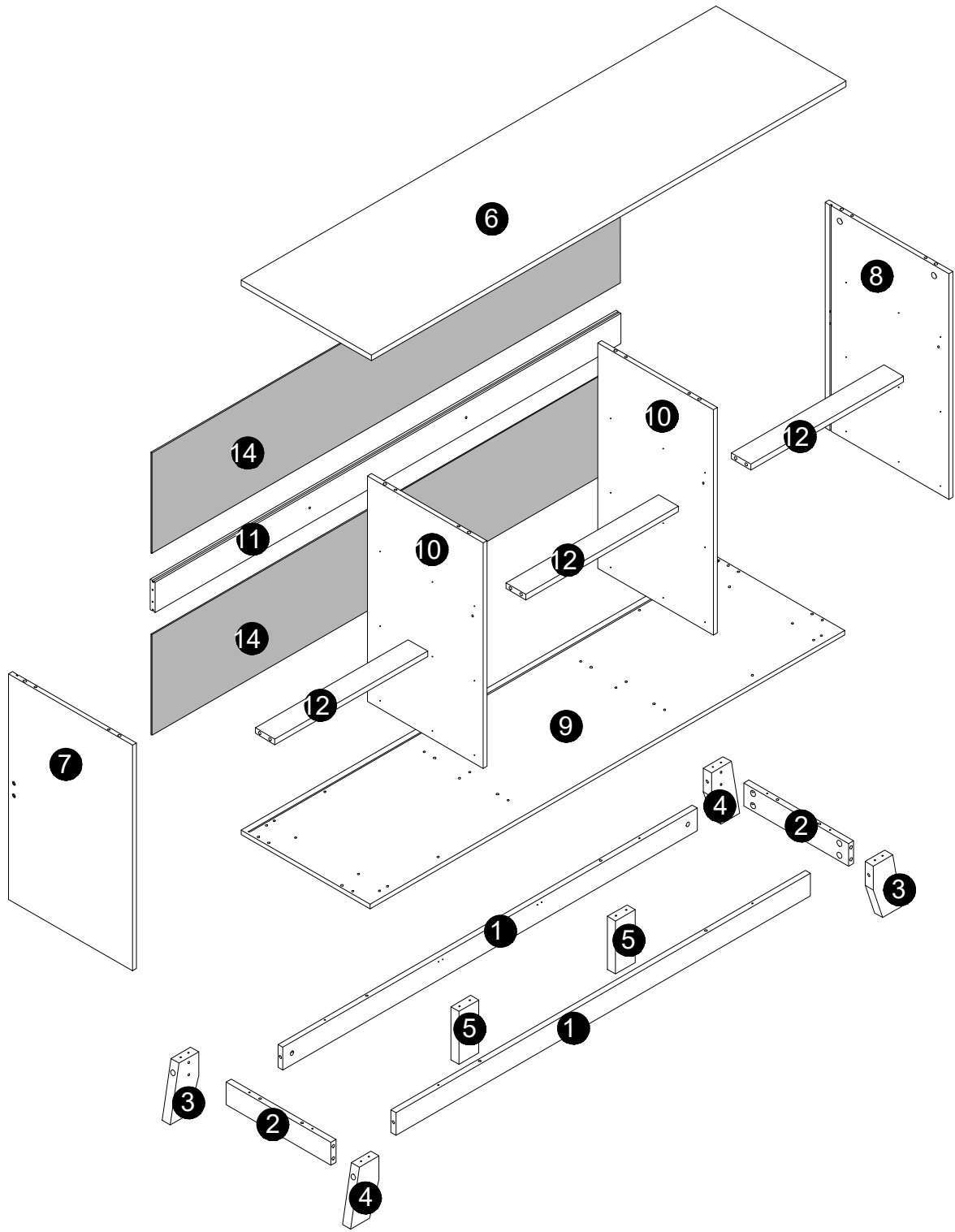


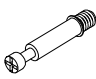

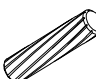
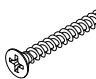

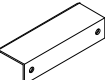


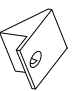



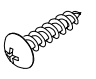
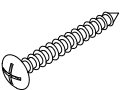

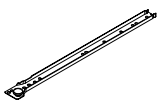
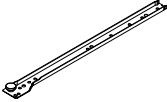
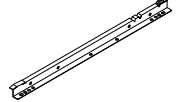
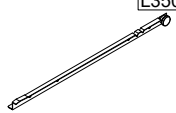


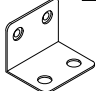
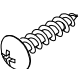
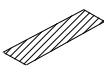

EN_IMPORTANT, RETAIN FOR FUTURE REFERENCE: READ CAREFULLY.

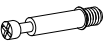

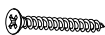

PACKING DELALS

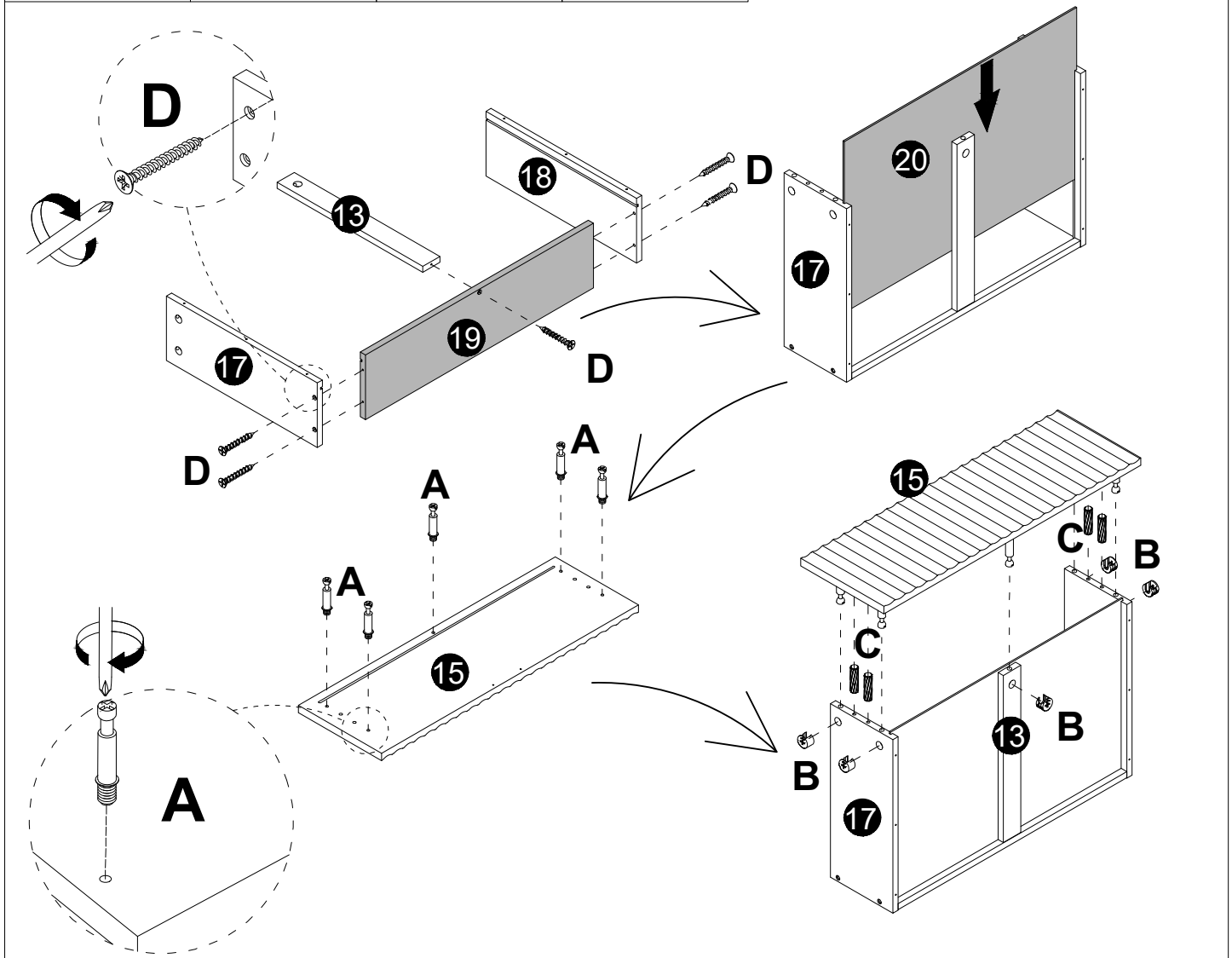
NO.	PARTS	QTY	SPARE
①		x2	
②		x2	
③		x2	
④		x2	
⑤		x2	
⑥		x1	
⑦		x1	
⑧		x1	
⑨		x1	
⑩		x2	
⑪		x1	

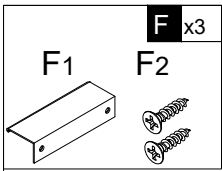
NO.	PARTS	QTY	SPARE
⑫		x3	
⑬		x9	
⑭		x2	
⑮		x3	
⑯		x3	
⑰		x9	
⑱		x9	
⑲		x9	
⑳		x9	
㉑		x3	
	 Hardware Kit		



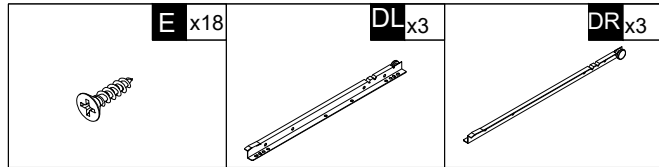
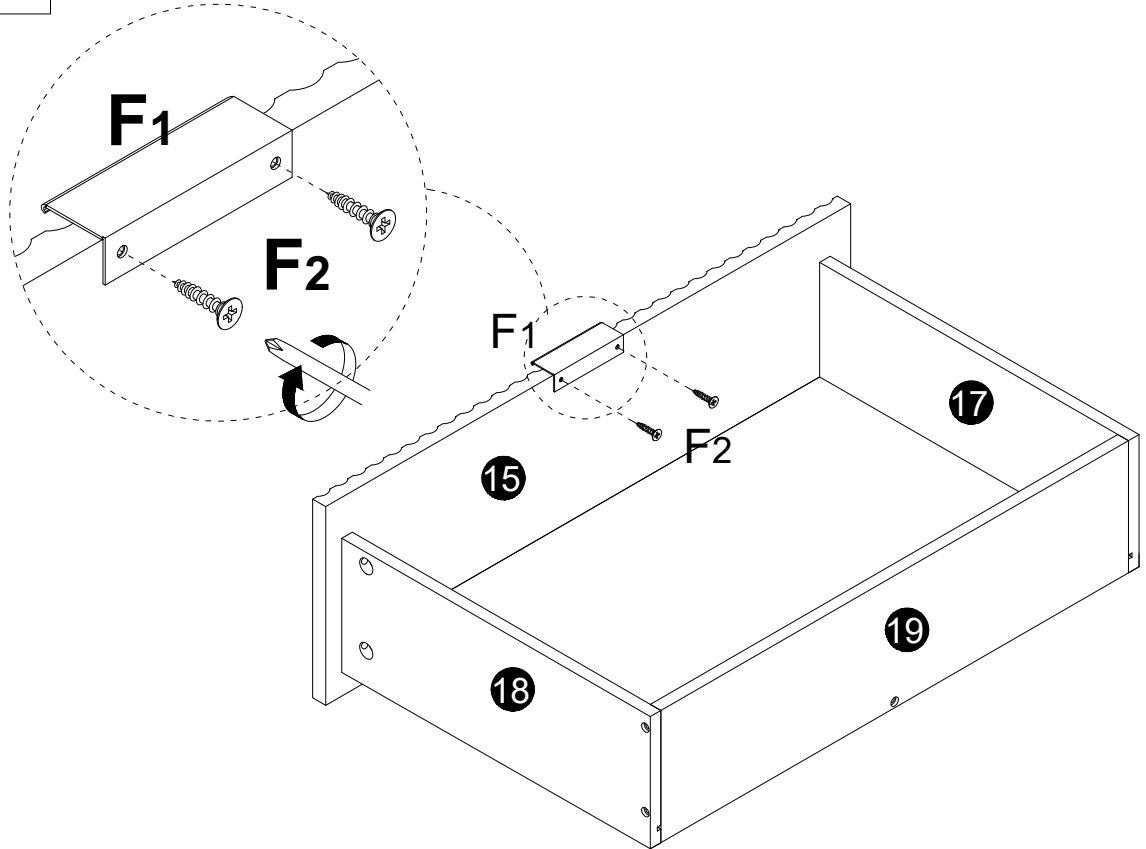
 A x70 Ø6x35mm +3(spare)	 B x70 Ø15x10mm +3(spare)	 C x60 Ø6x30mm +3(spare)	 D x59 Ø4x35mm +3(spare)	 E x108 Ø3.5x12mm +5(spare)	 F1	 F2 x9	
 G x2	 H1	 H2	 I1	 I2	 J x2 Ø4x14mm	 K x20 Ø5x35mm +2(spare)	 L x2
 CL x9 L350mm	 CR x9 L350mm	 DL x9 L350mm	 DR x9 L350mm	 M1	 M2	 N x4	
 O x16 Ø4x12mm	 P x4	 Q x8					

 A x15	 B x15	 D x15	 C x12	x3	01
---	--	---	---	-----------	-----------

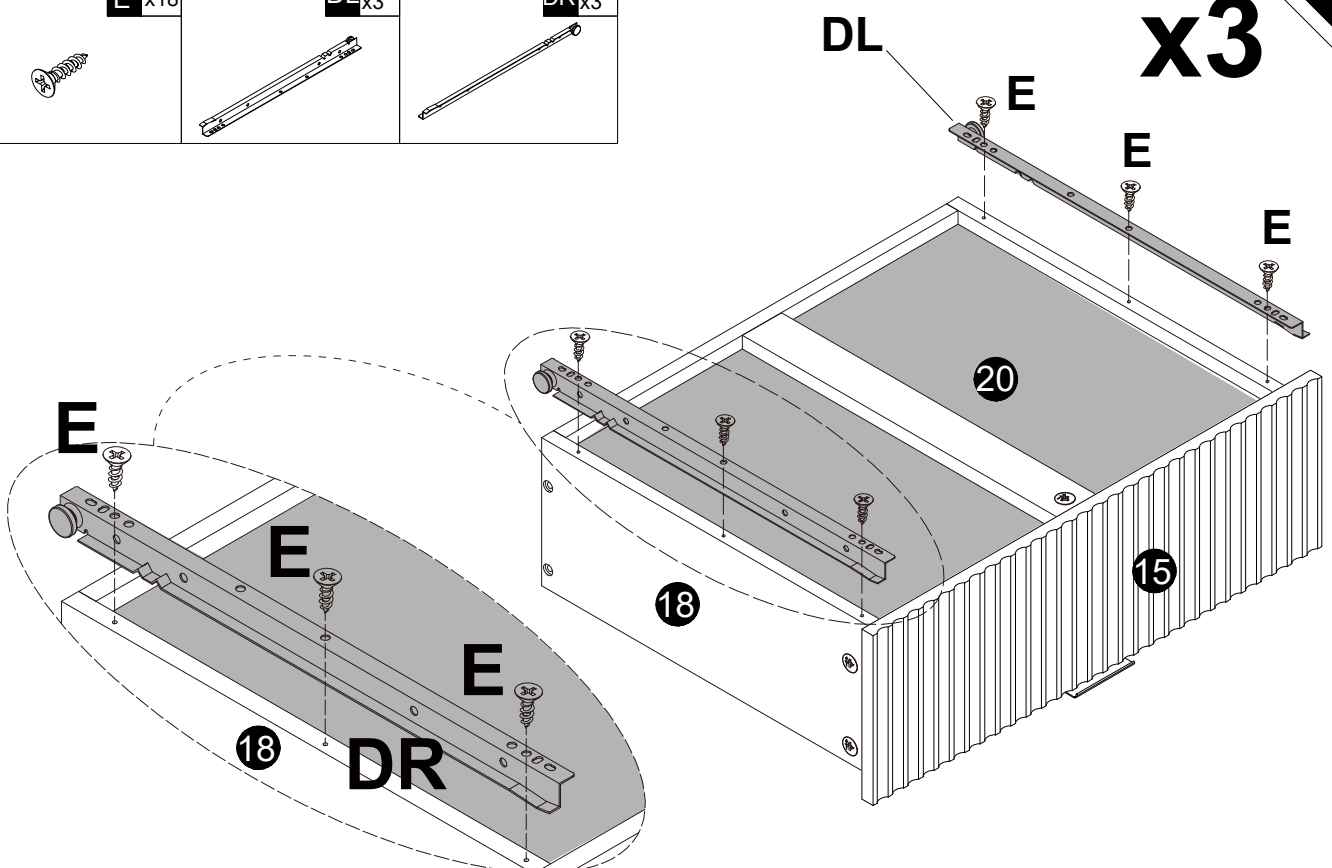


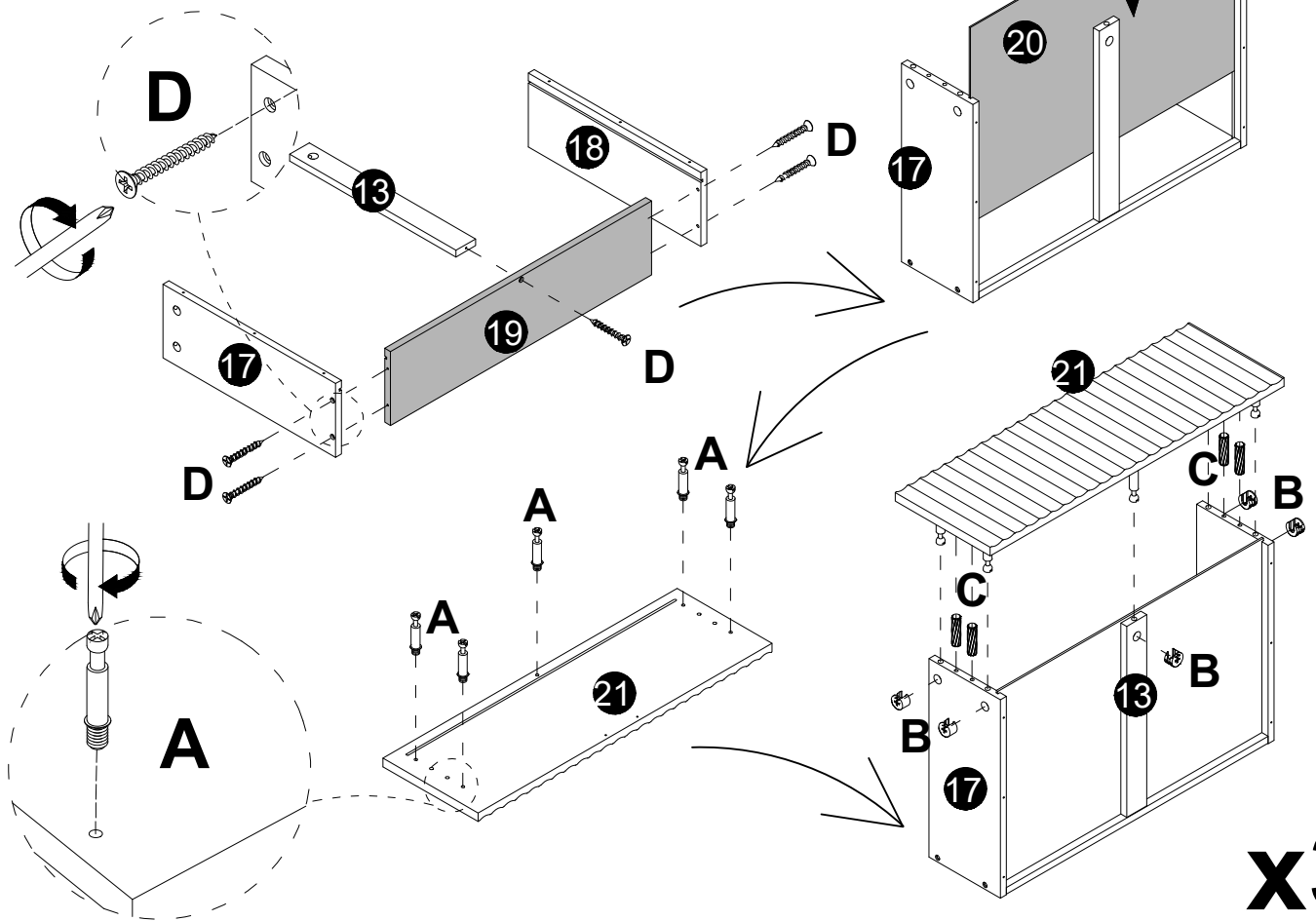
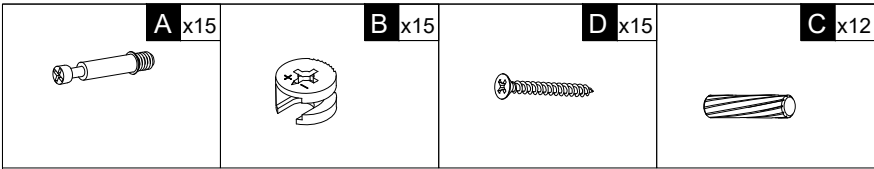


x3 02

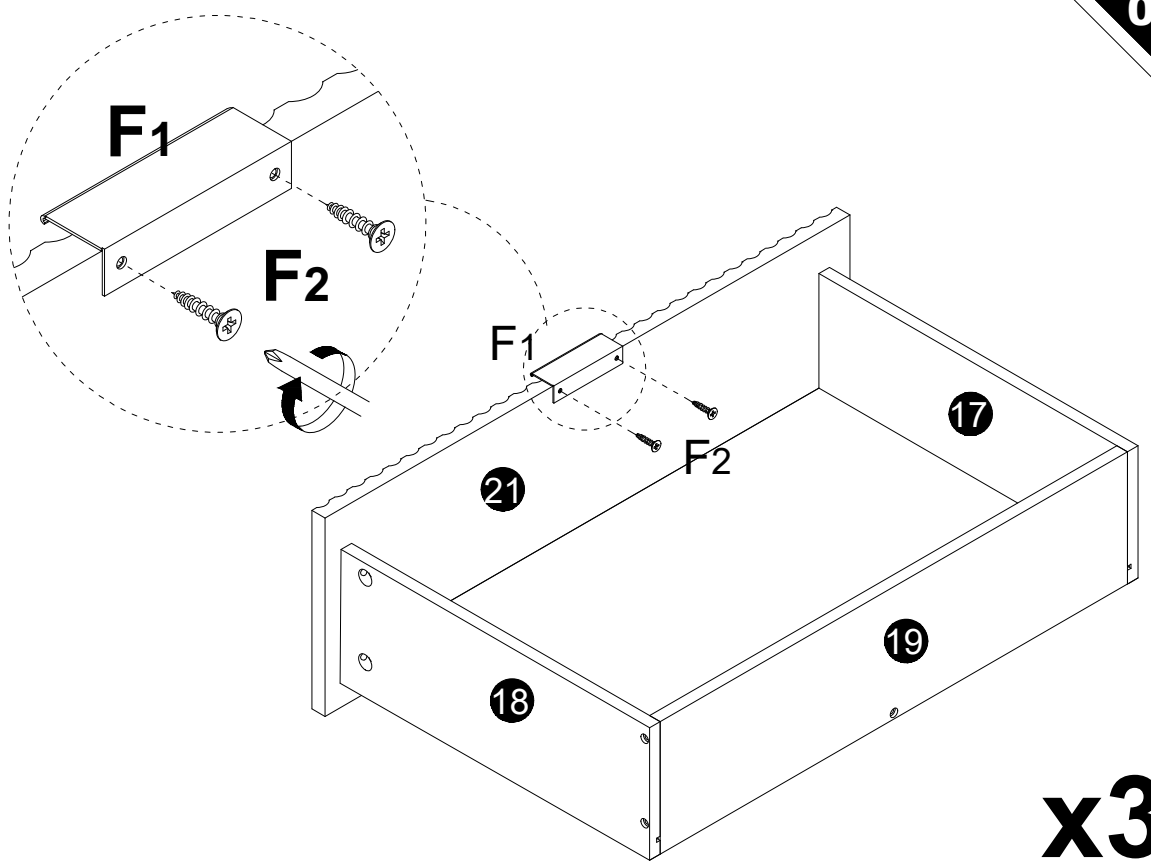
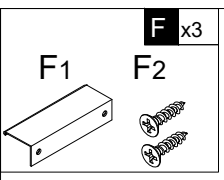


x3 03





x3

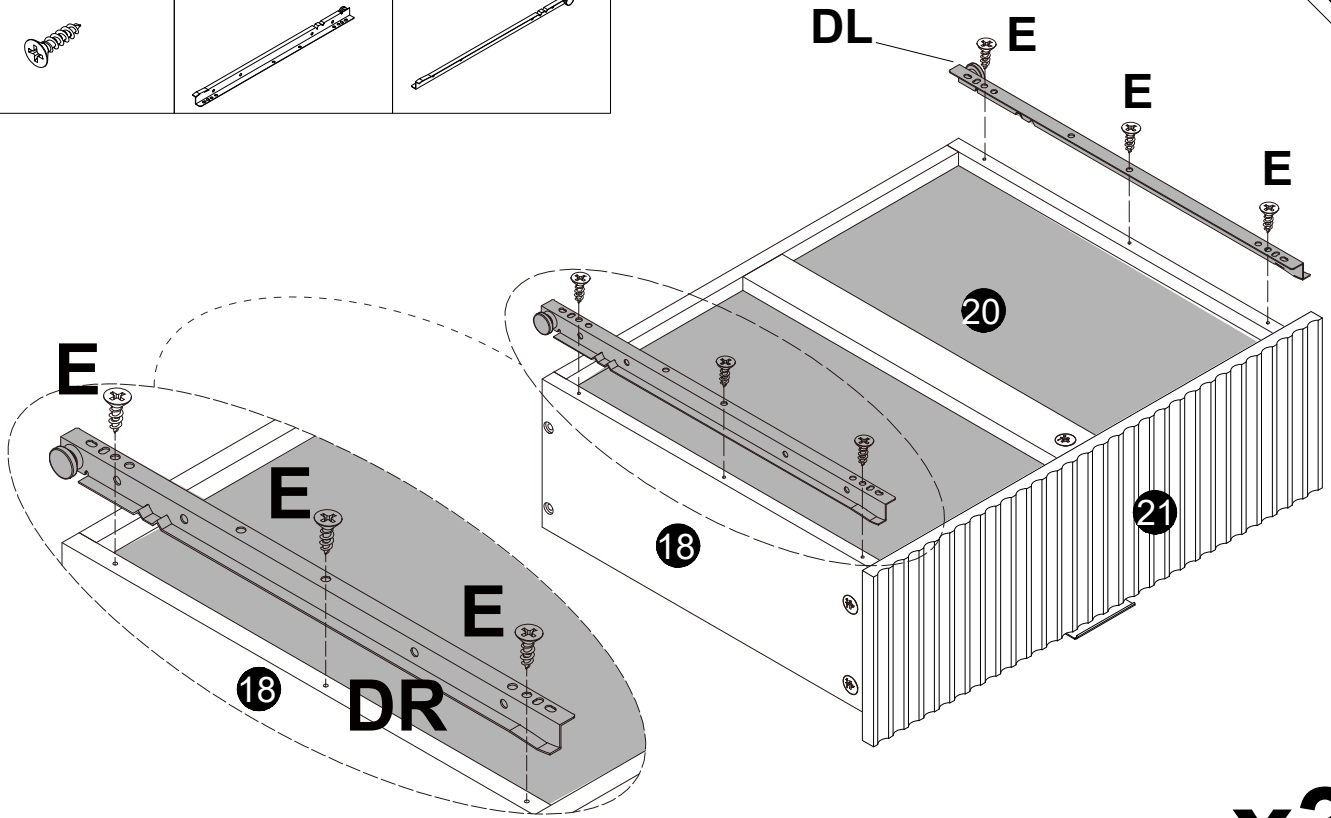
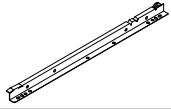


x3

E x18

DL x3

DR x3



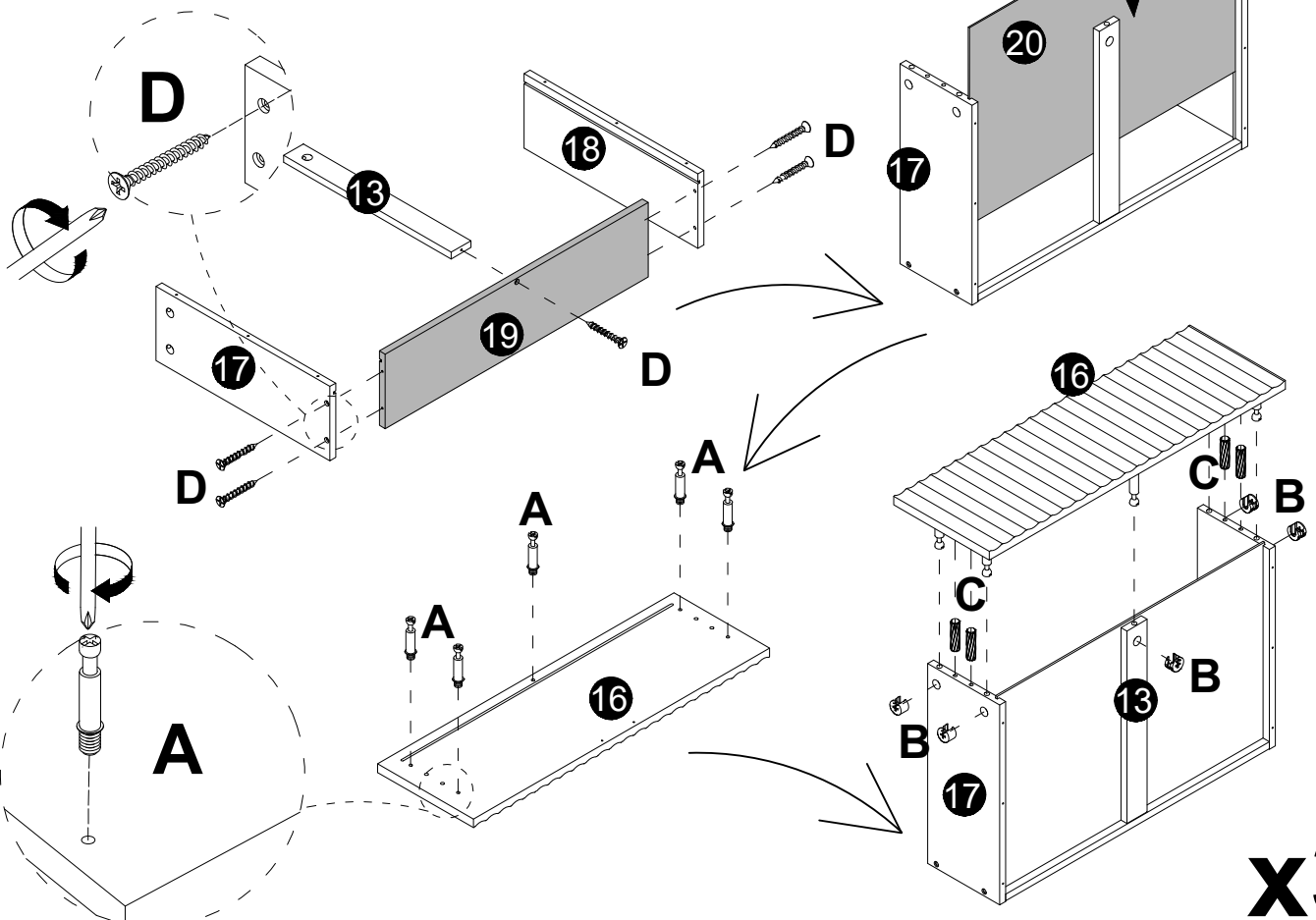
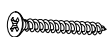
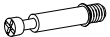
x3

A x15

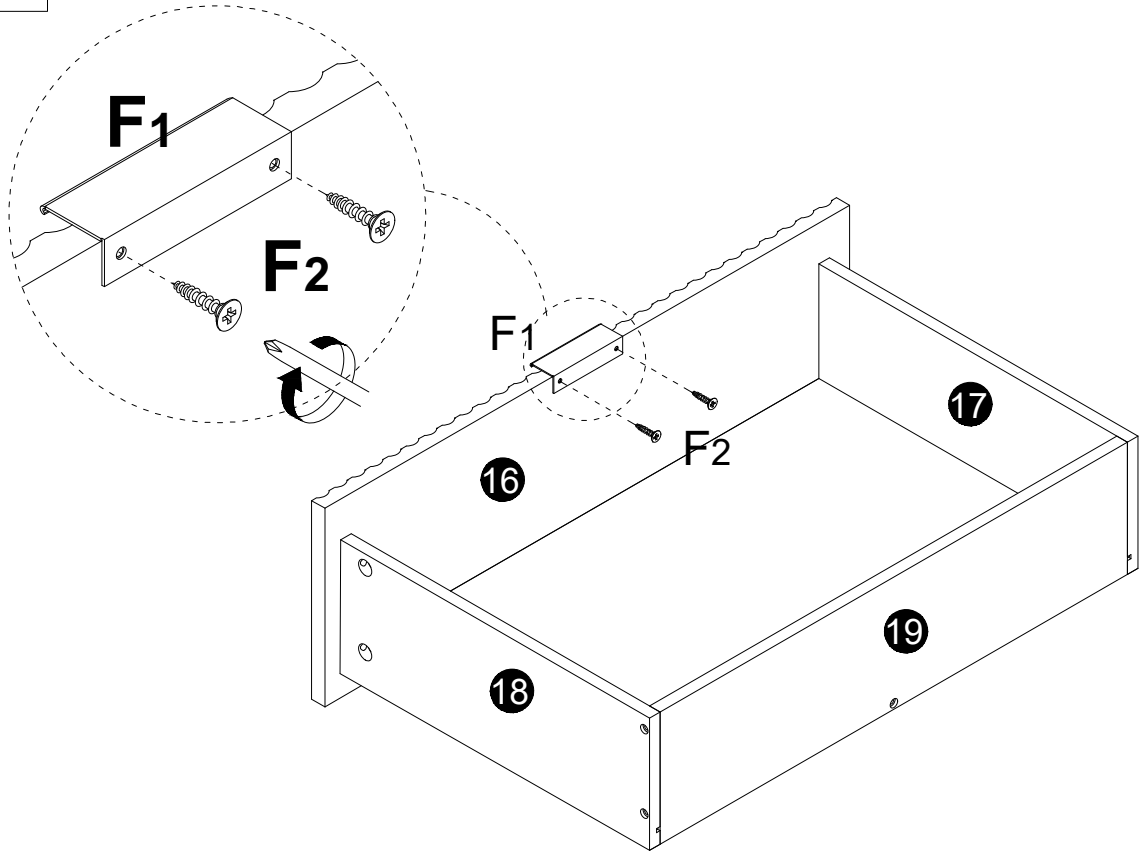
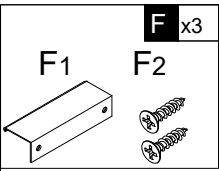
B x15

D x15

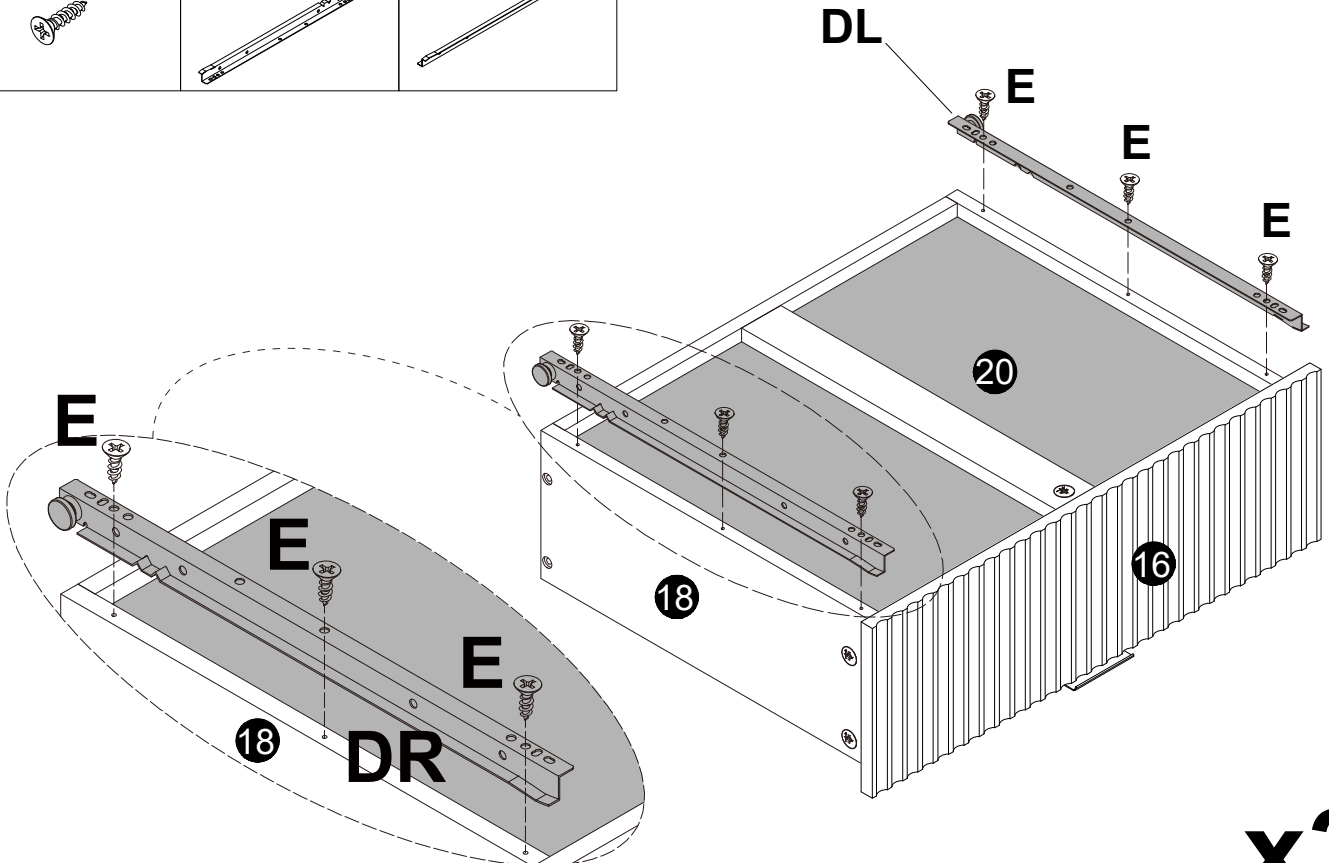
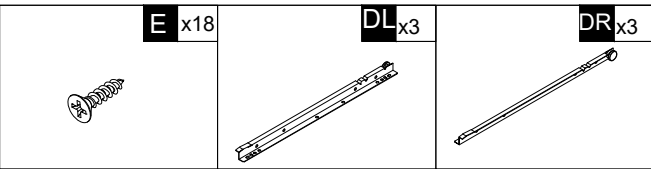
C x12



x3



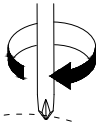
x3



x3

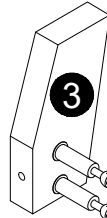
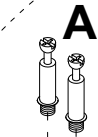
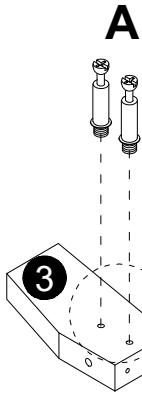
A x8

B x8



A

B



B

2

B

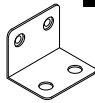


x2

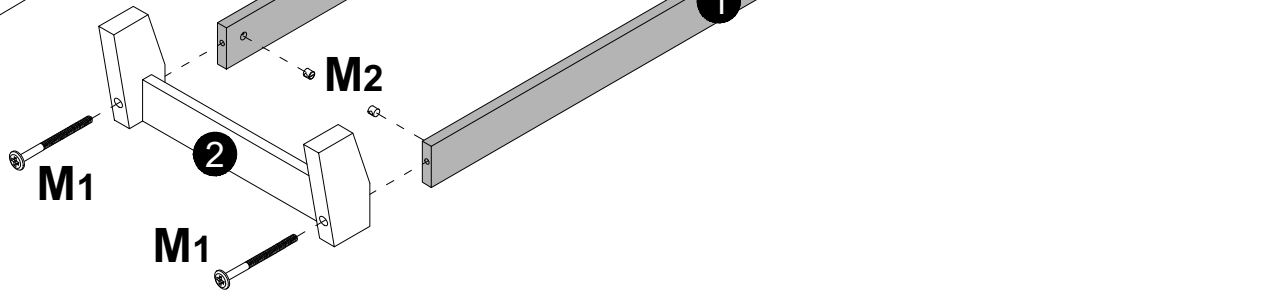
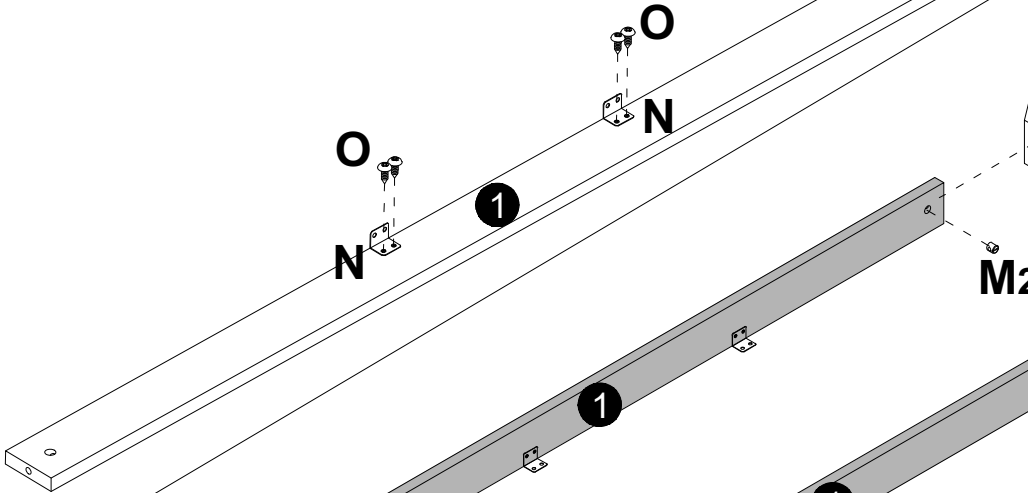
M x4

N x4

O x8



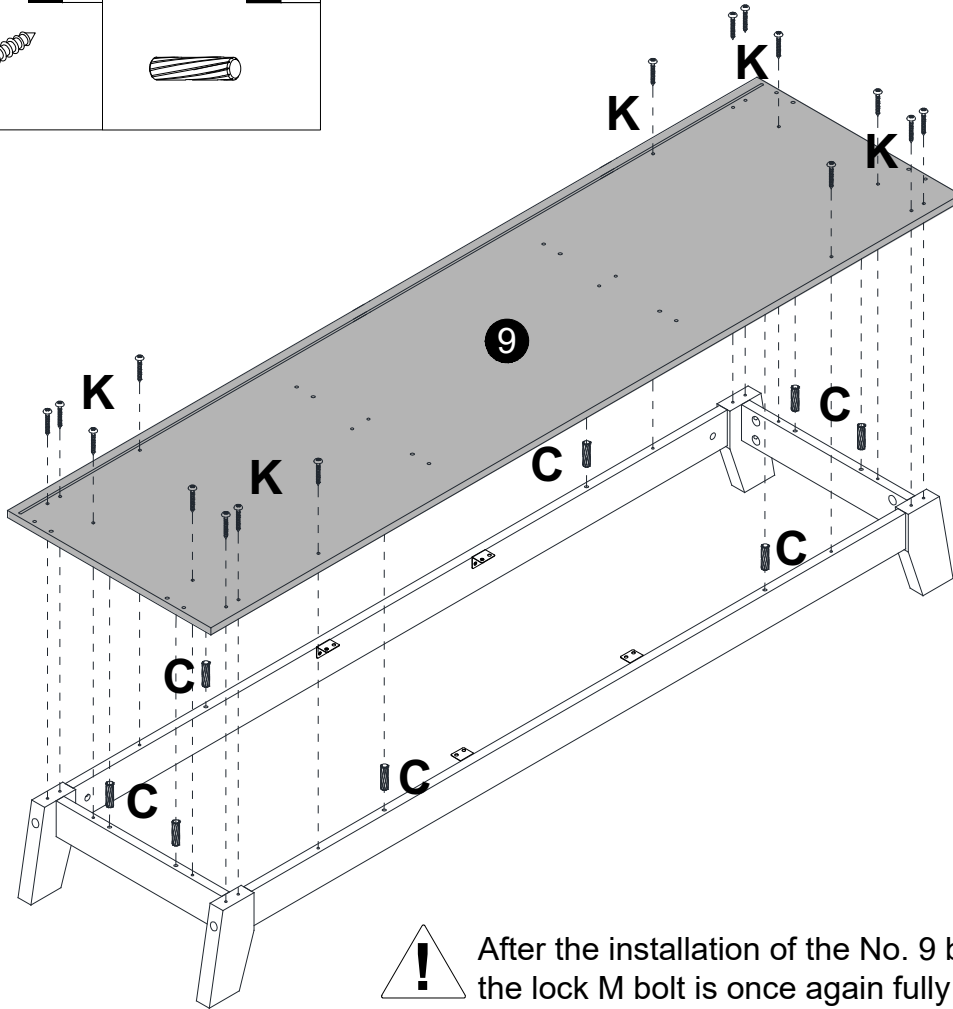
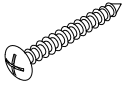
x2



When installing this step, you don't need to lock it too tightly

K x16

C x8



After the installation of the No. 9 base plate is completed, the lock M bolt is once again fully fixed on the leg

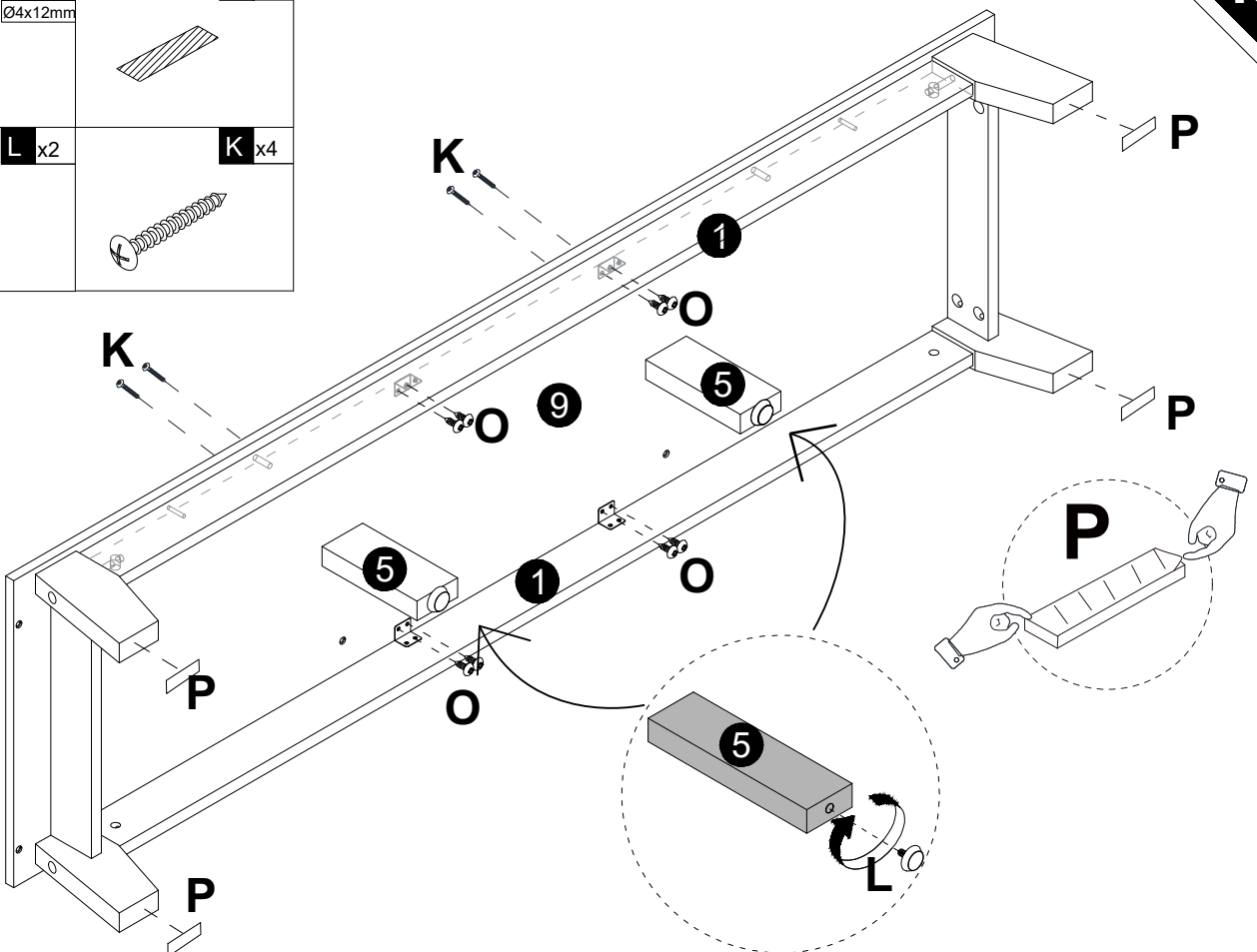
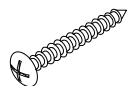
O x8
Ø4x12mm

P x4



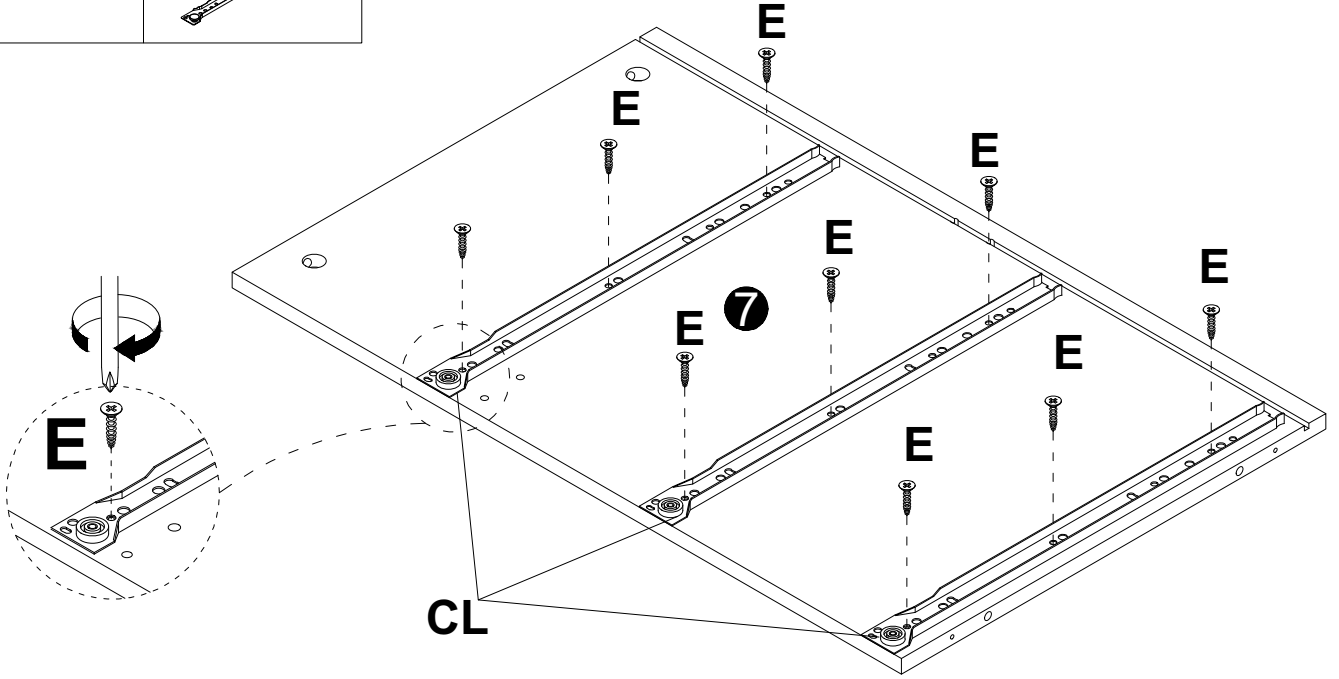
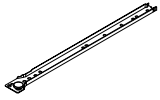
L x2

K x4



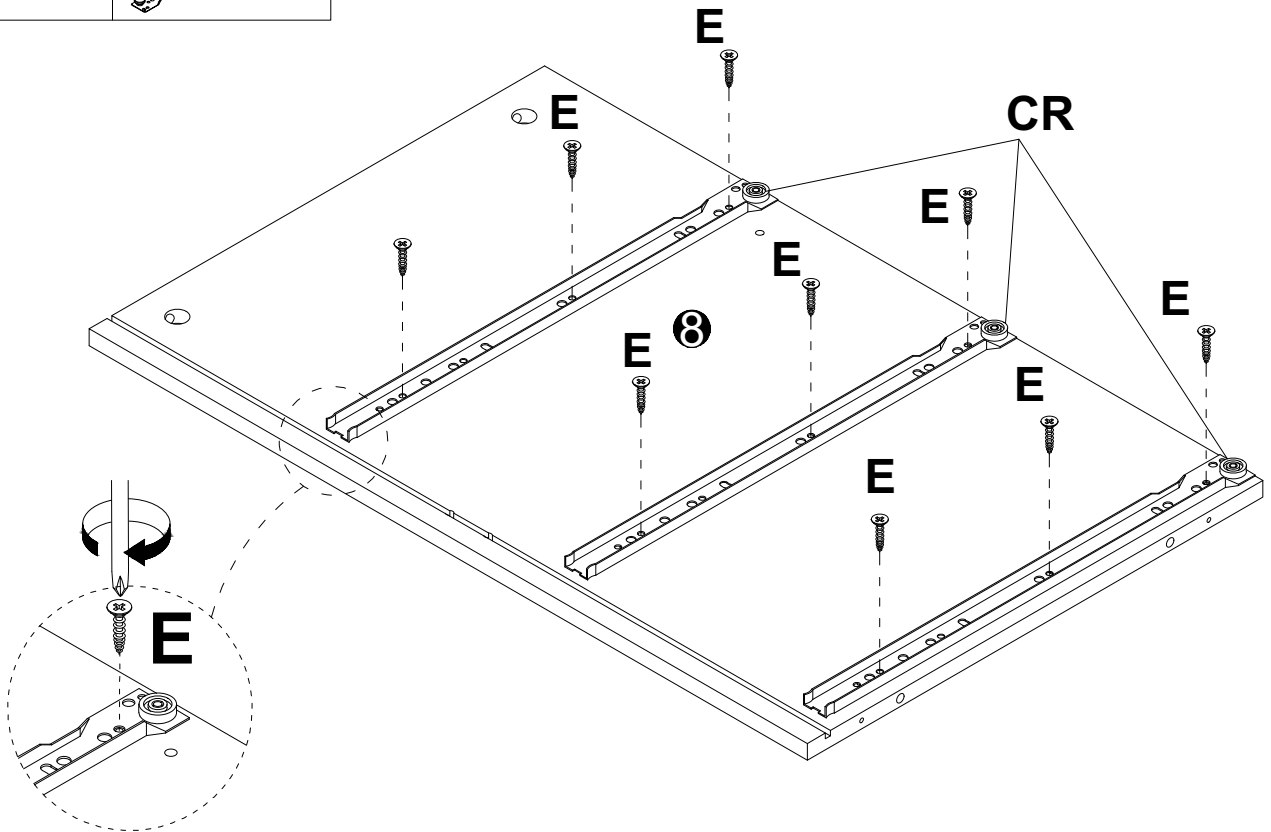
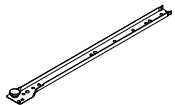
E x9

CL x3



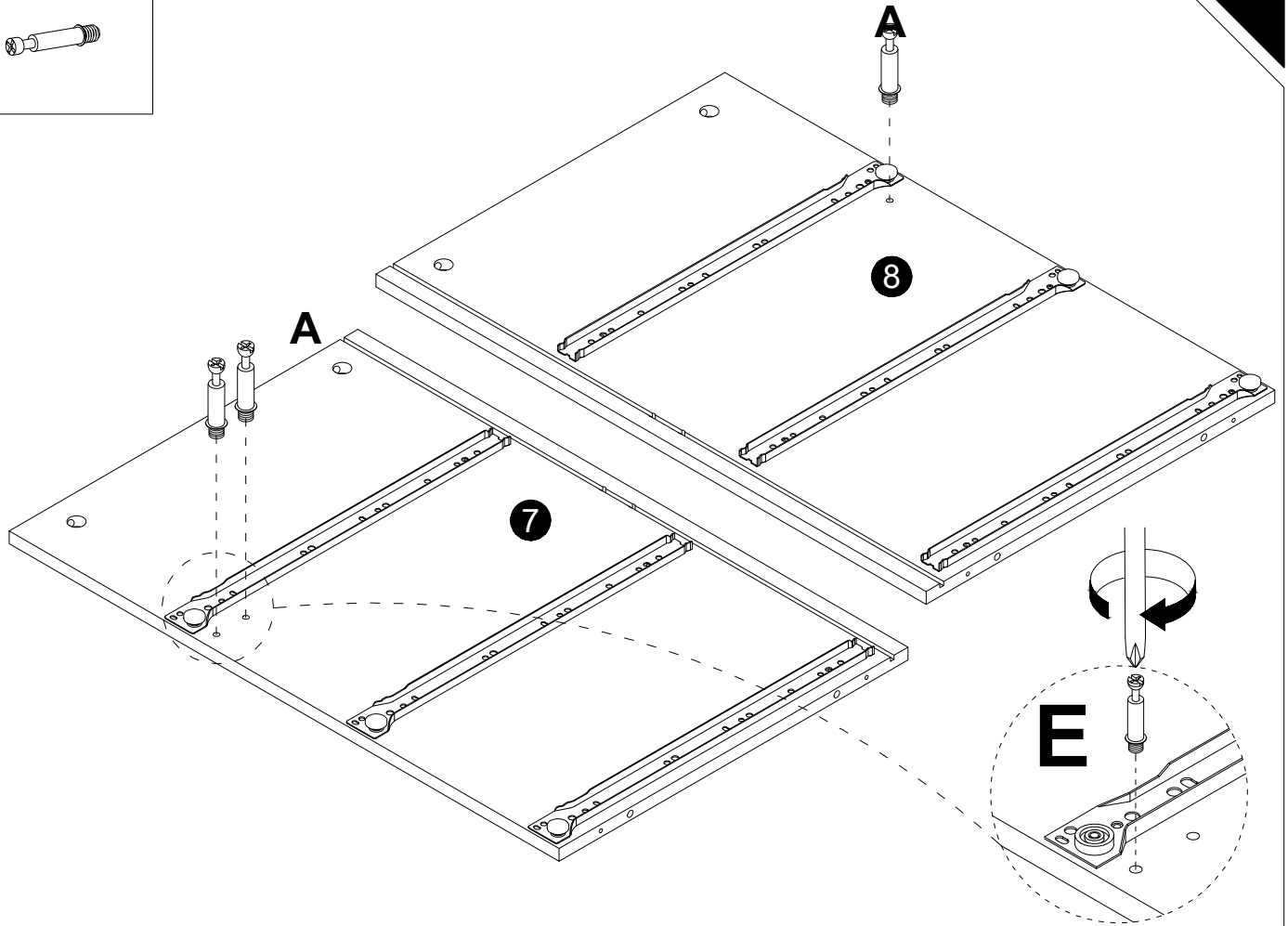
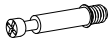
E x9

CR x3



A x3

16

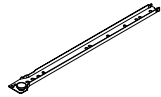
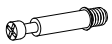


A x4

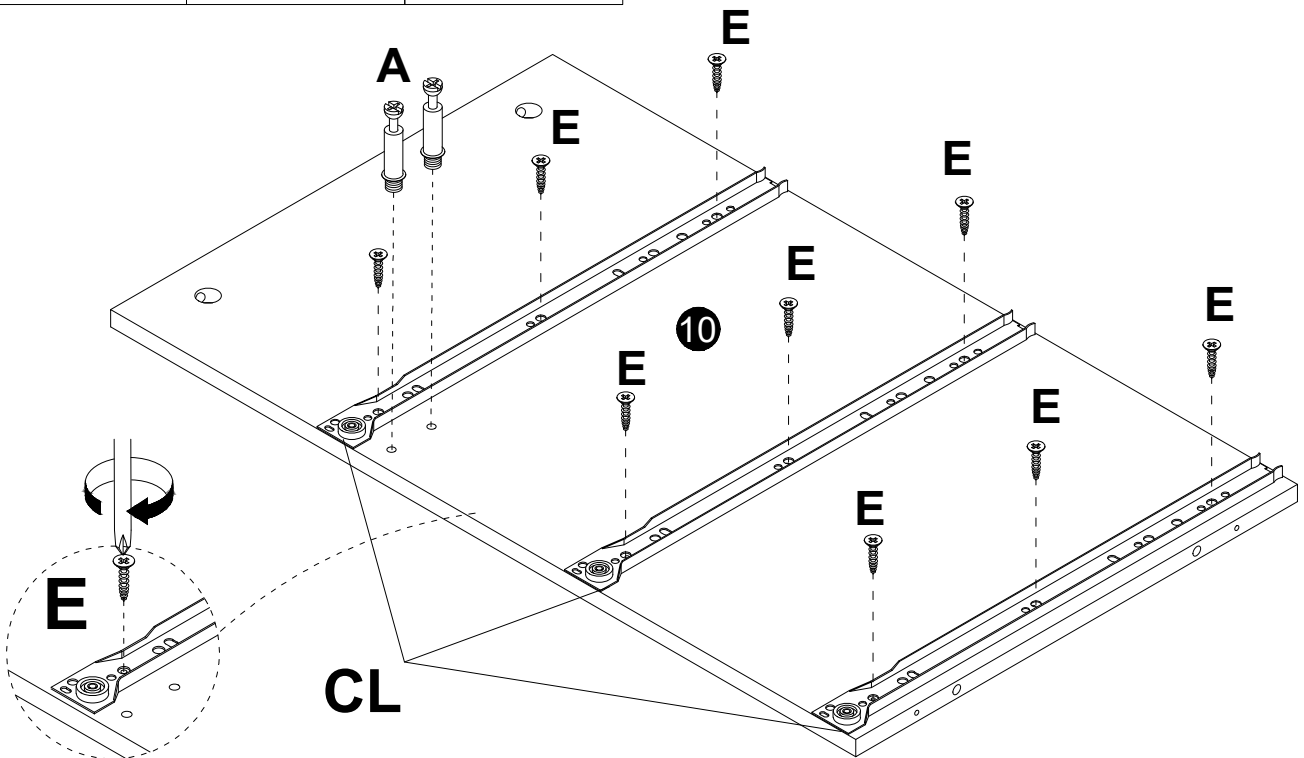
E x18

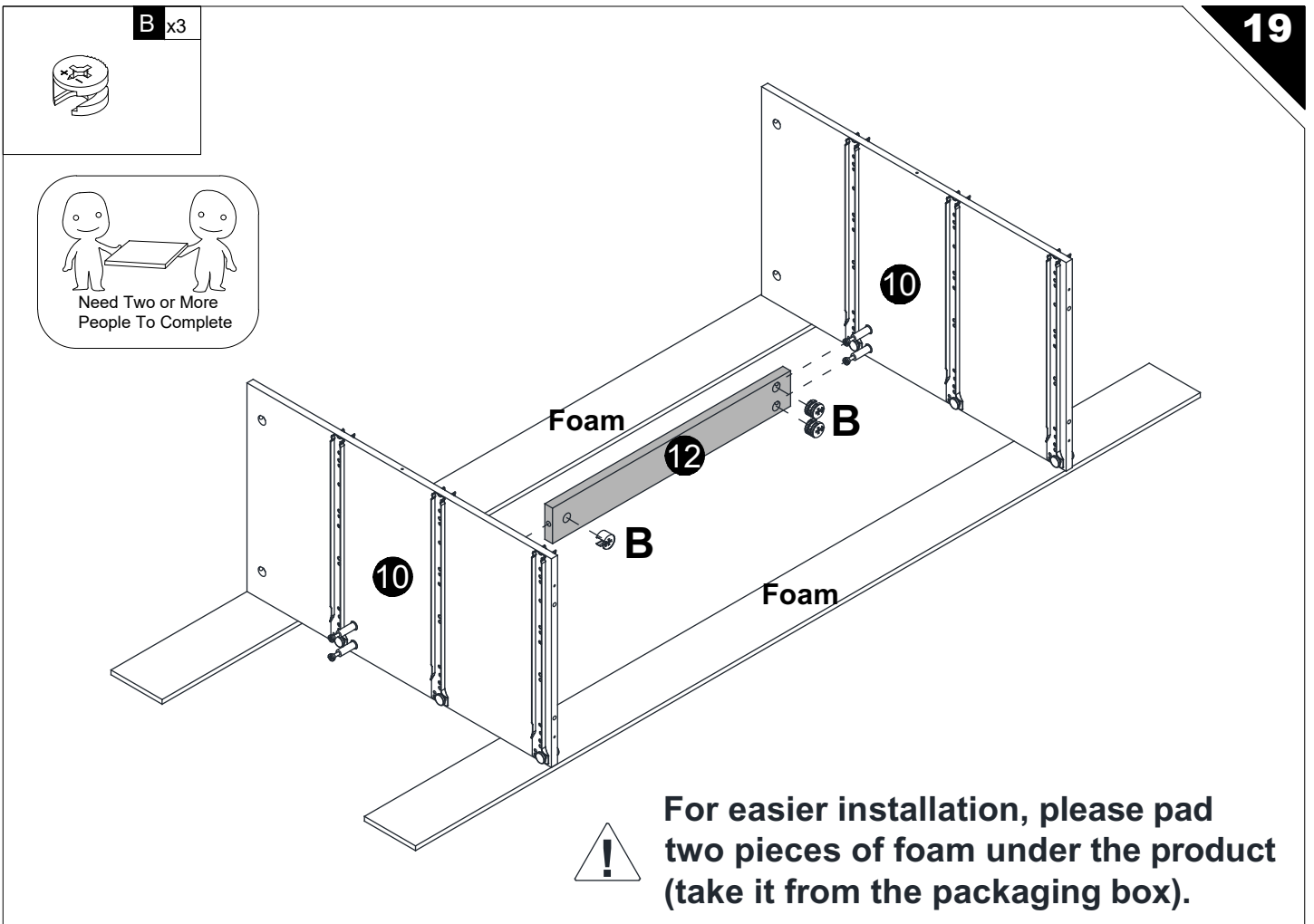
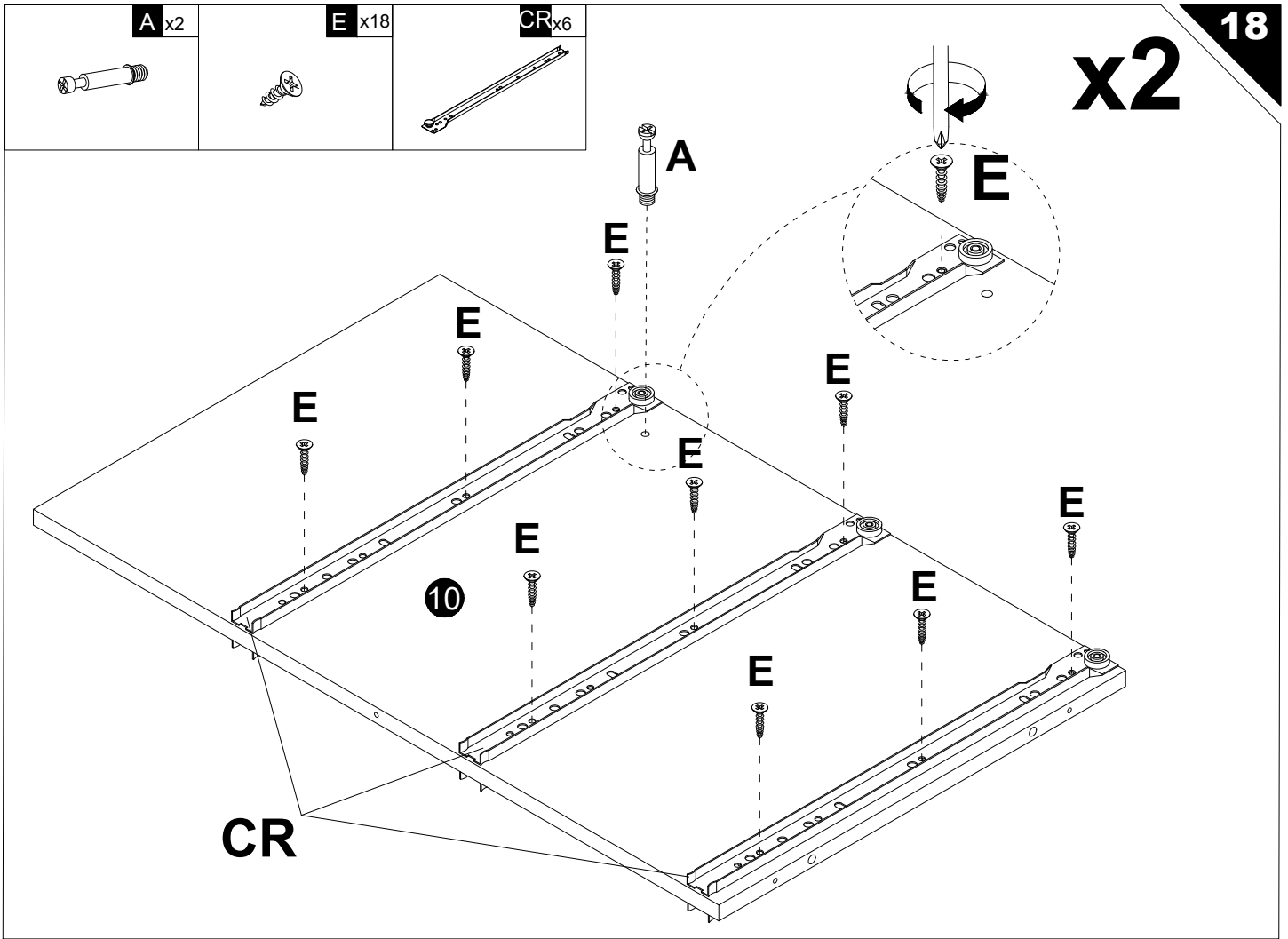
CL x6

17

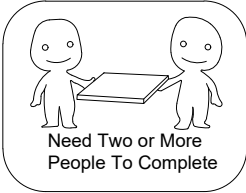


x2

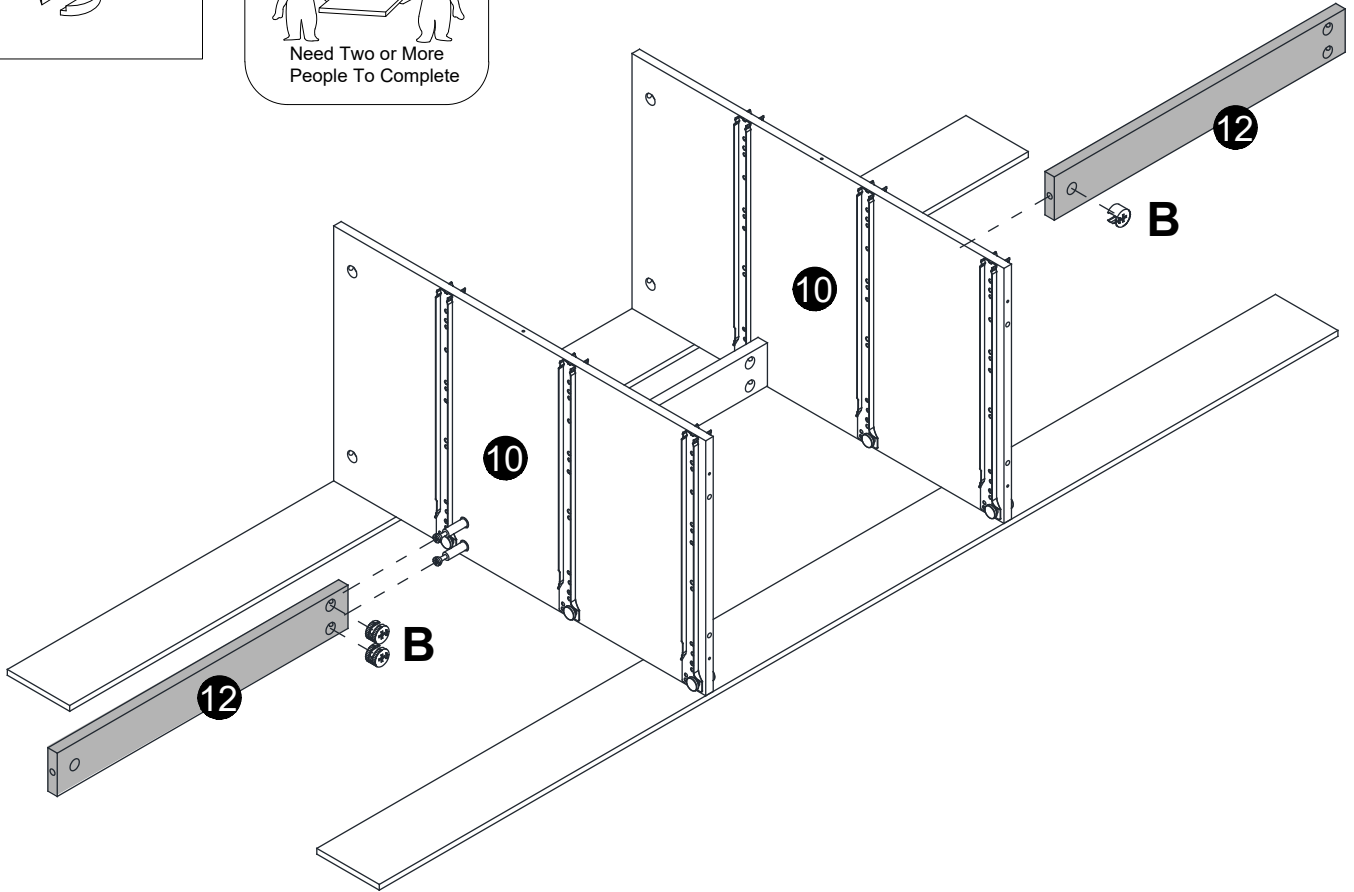




B x3



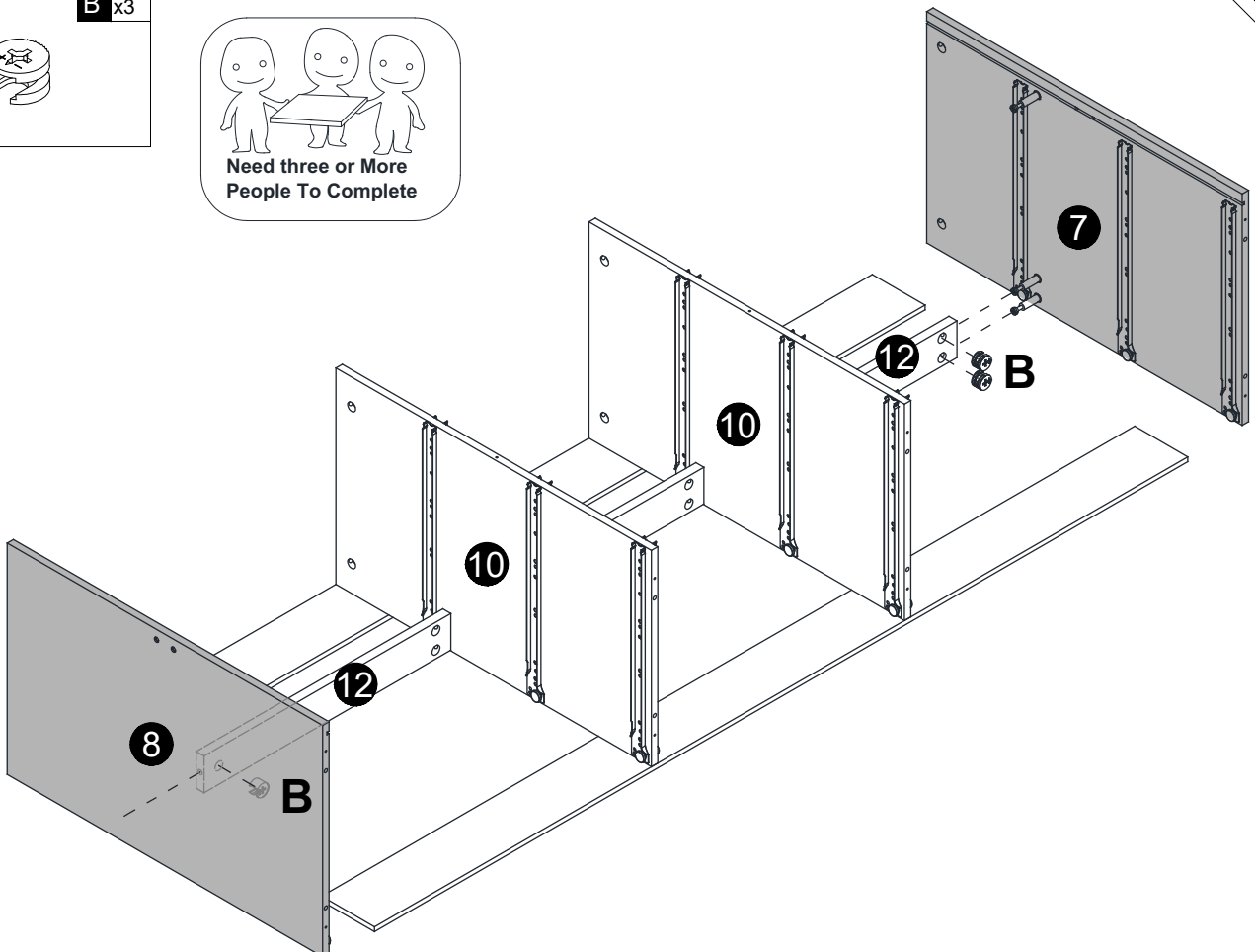
Need Two or More People To Complete



B x3

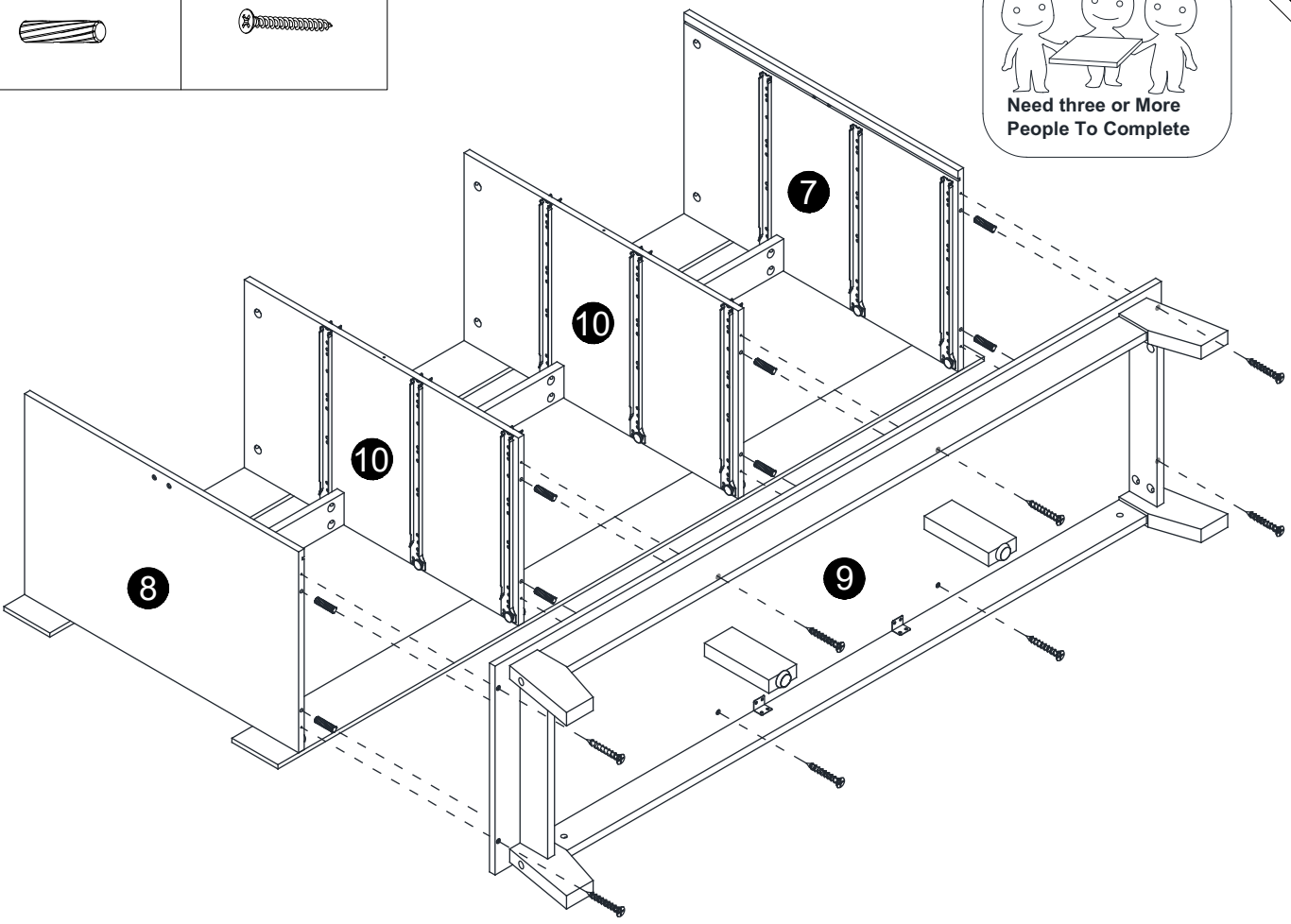
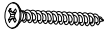


Need three or More People To Complete

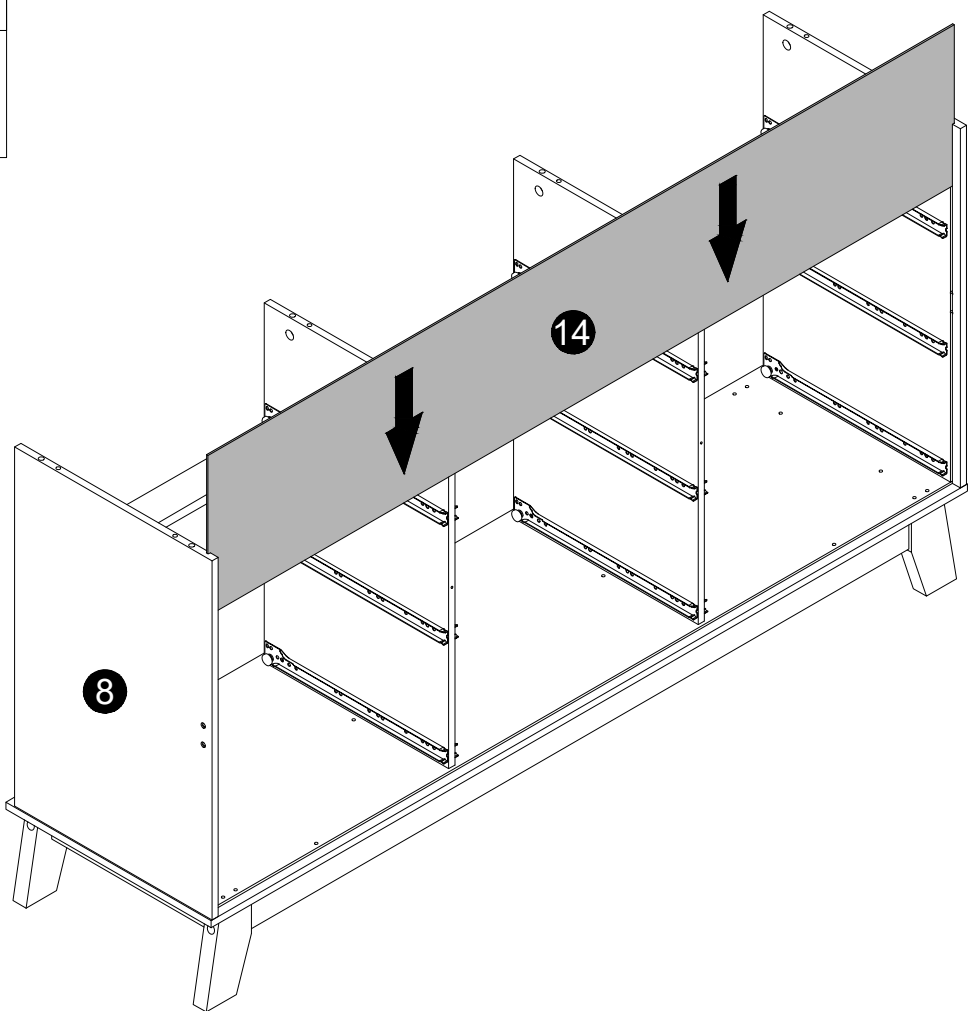
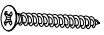


C x8

D x8



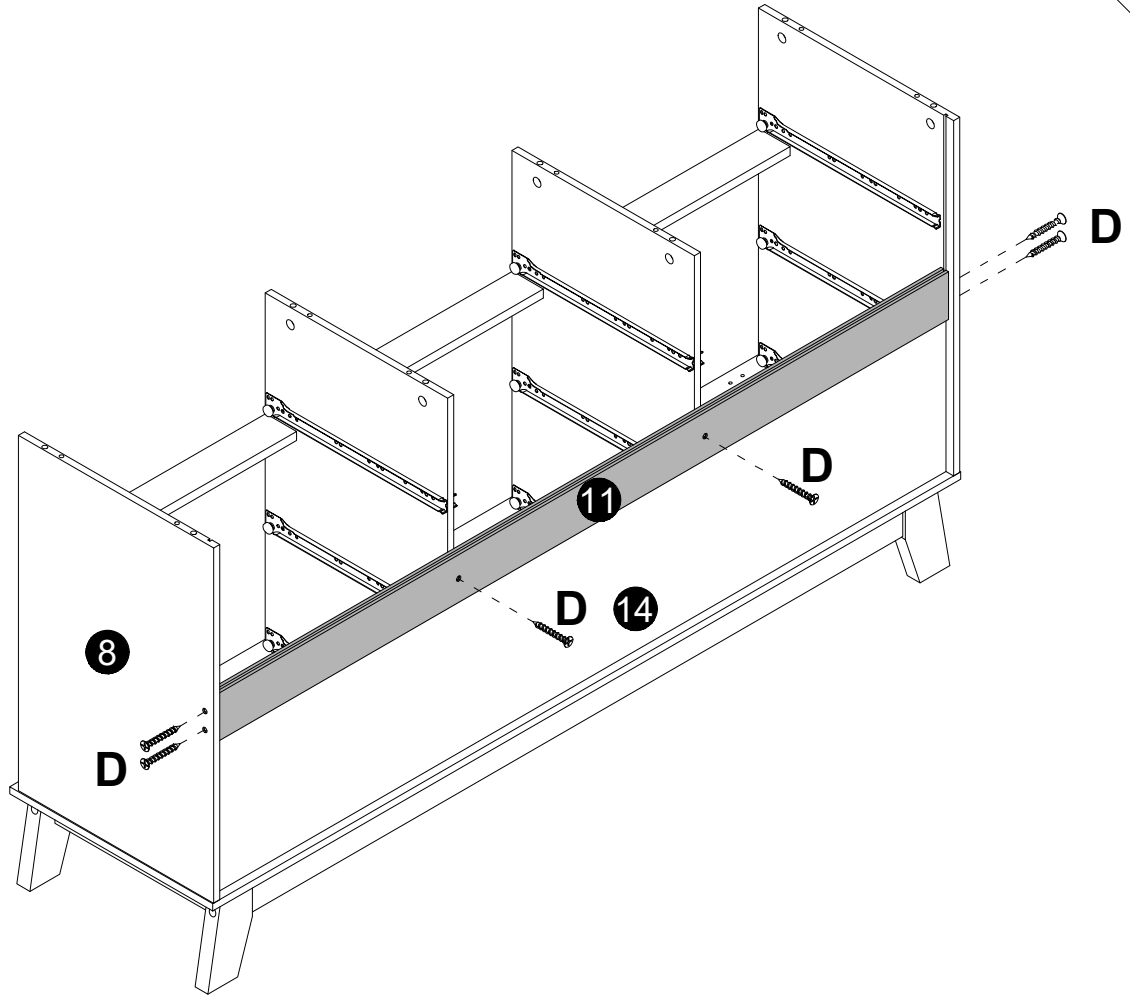
D x5



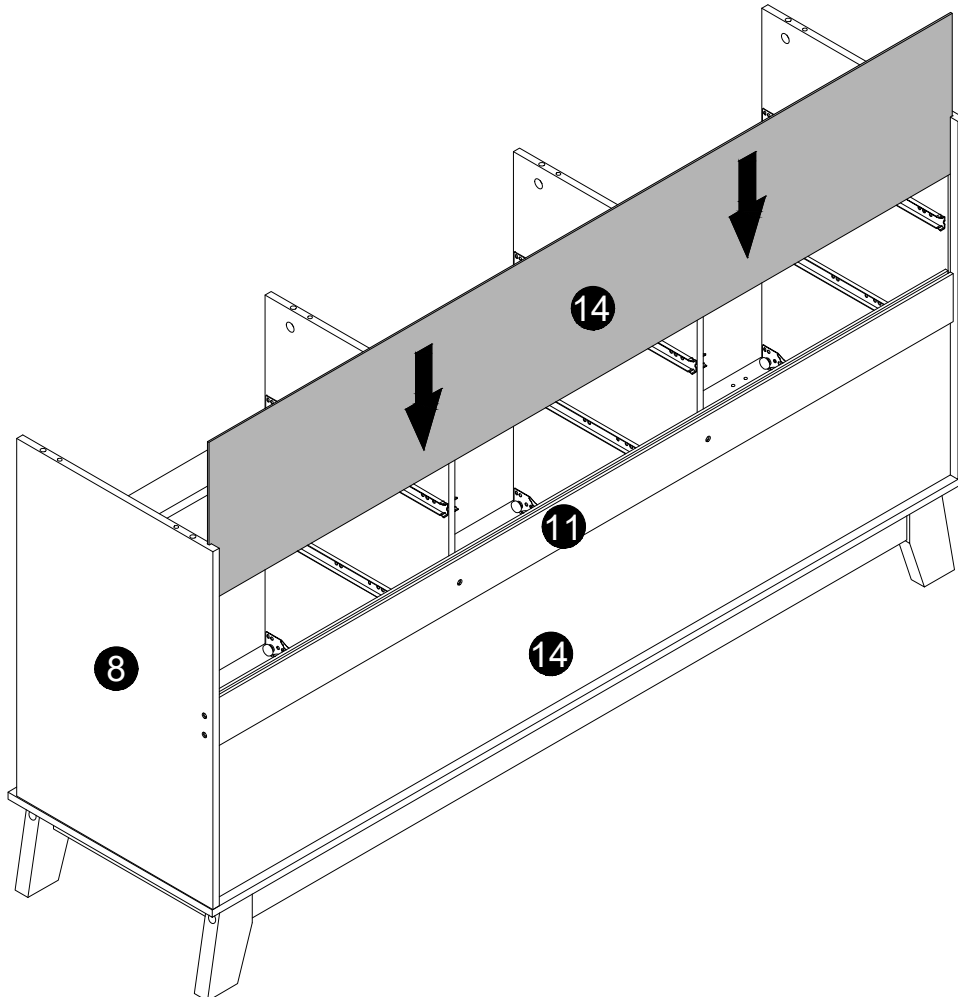
D x6



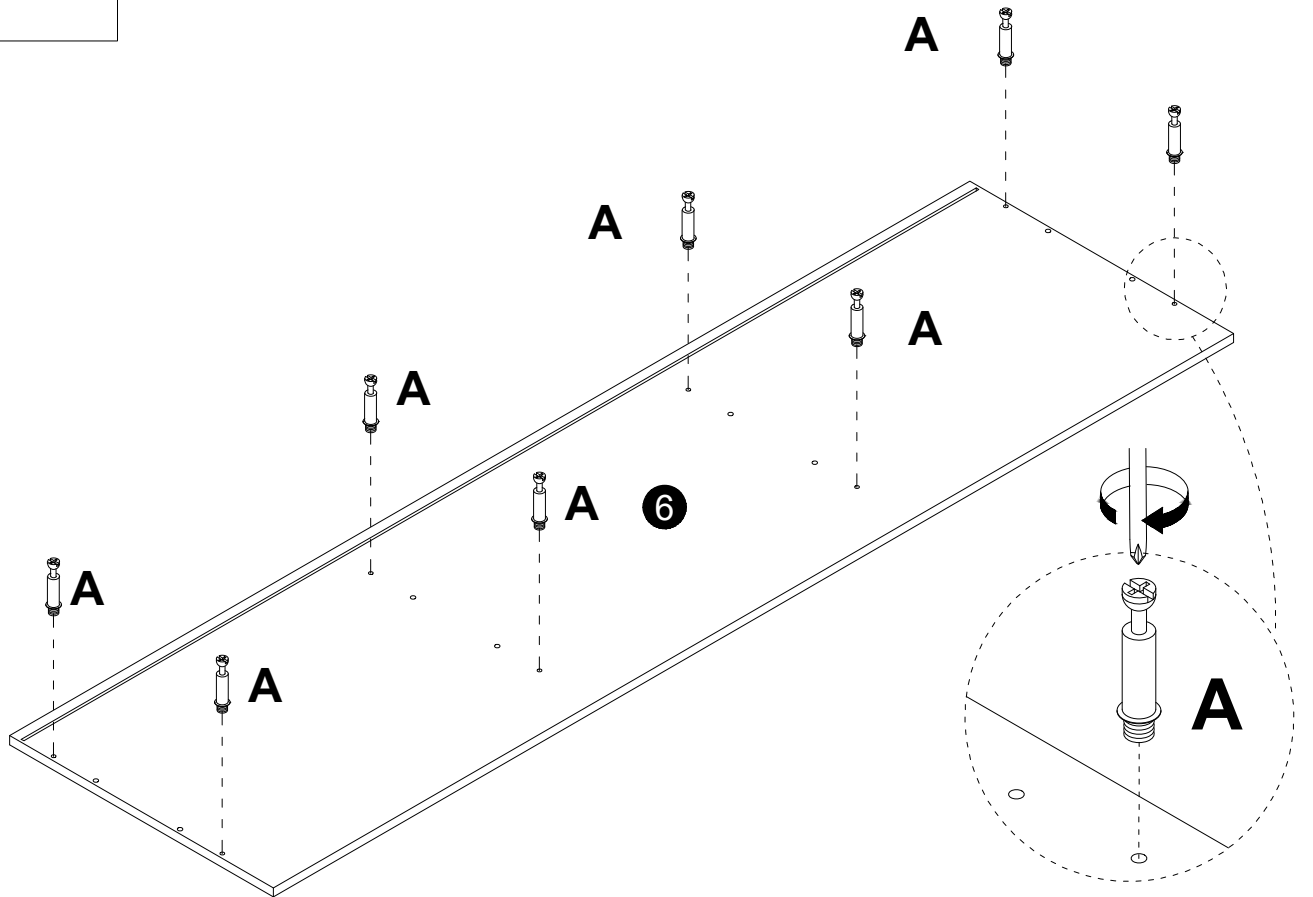
24



25



A x8

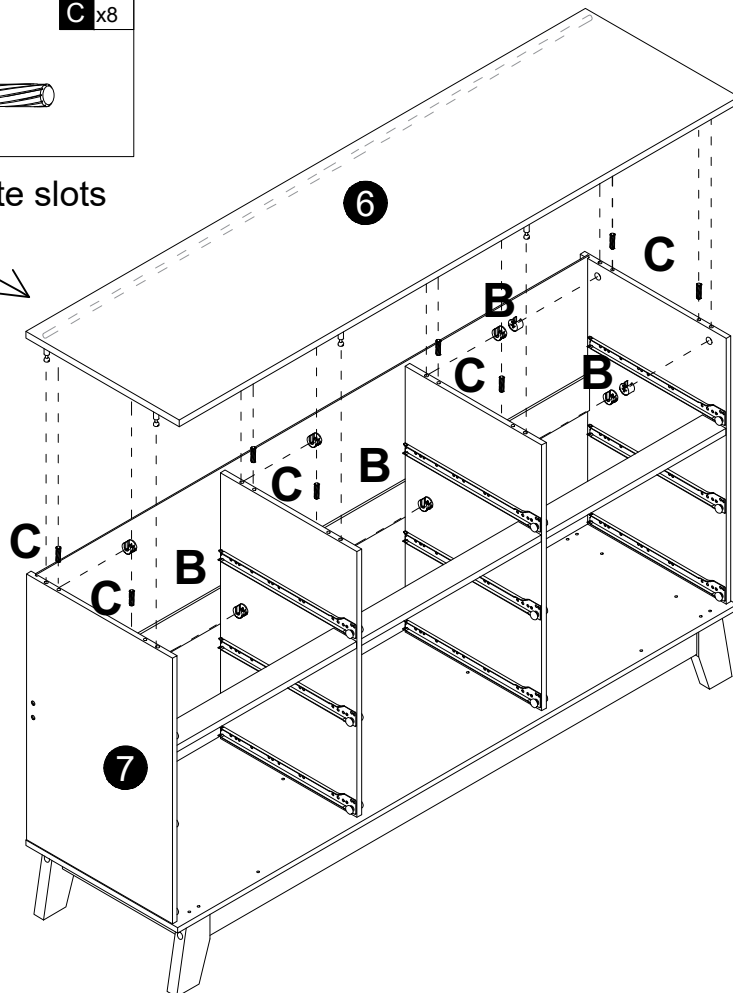


B x8

C x8

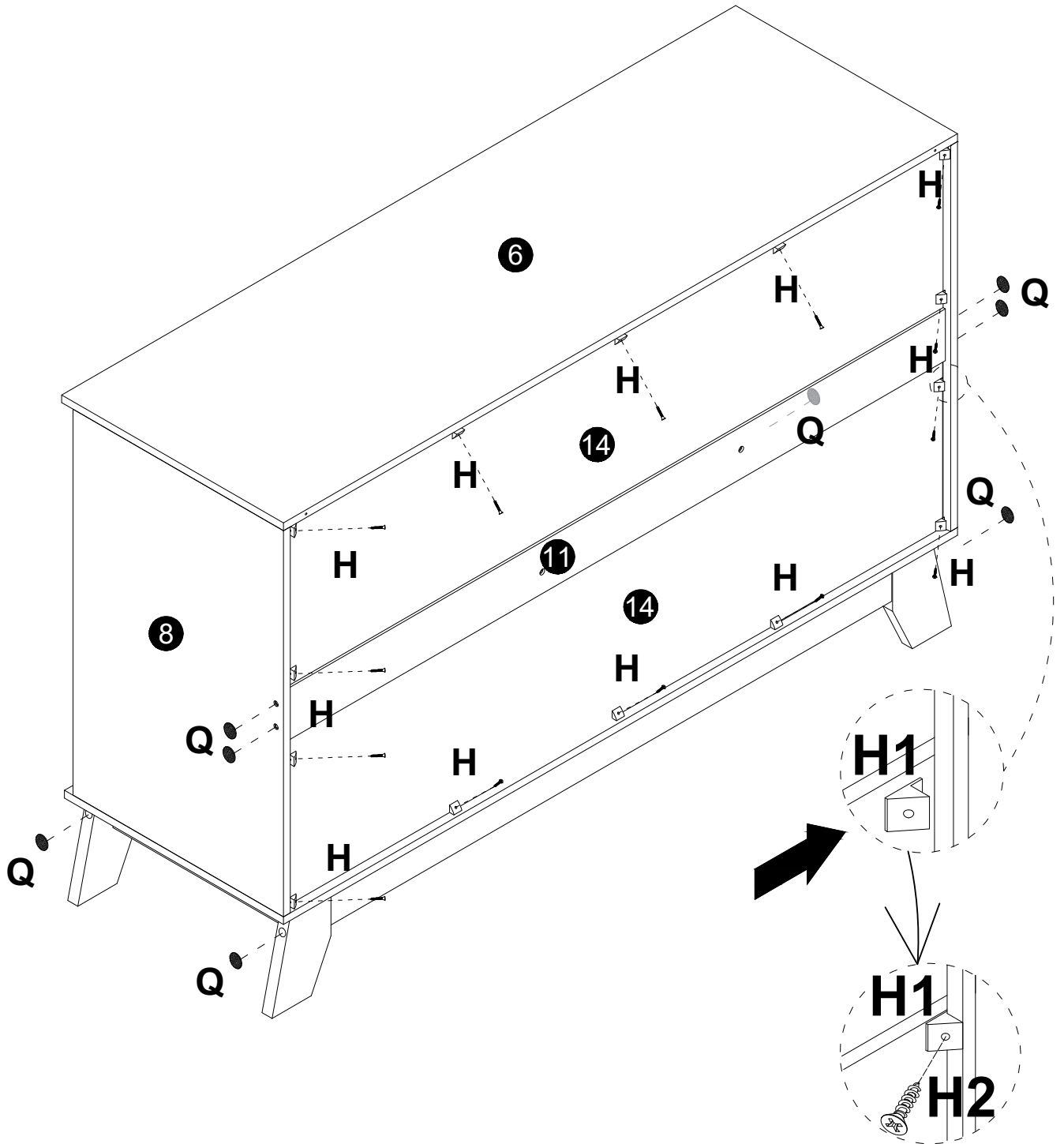
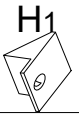


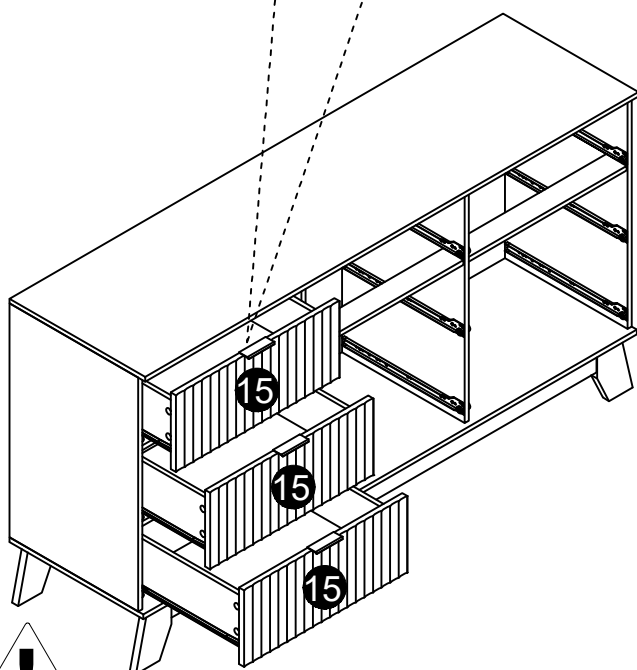
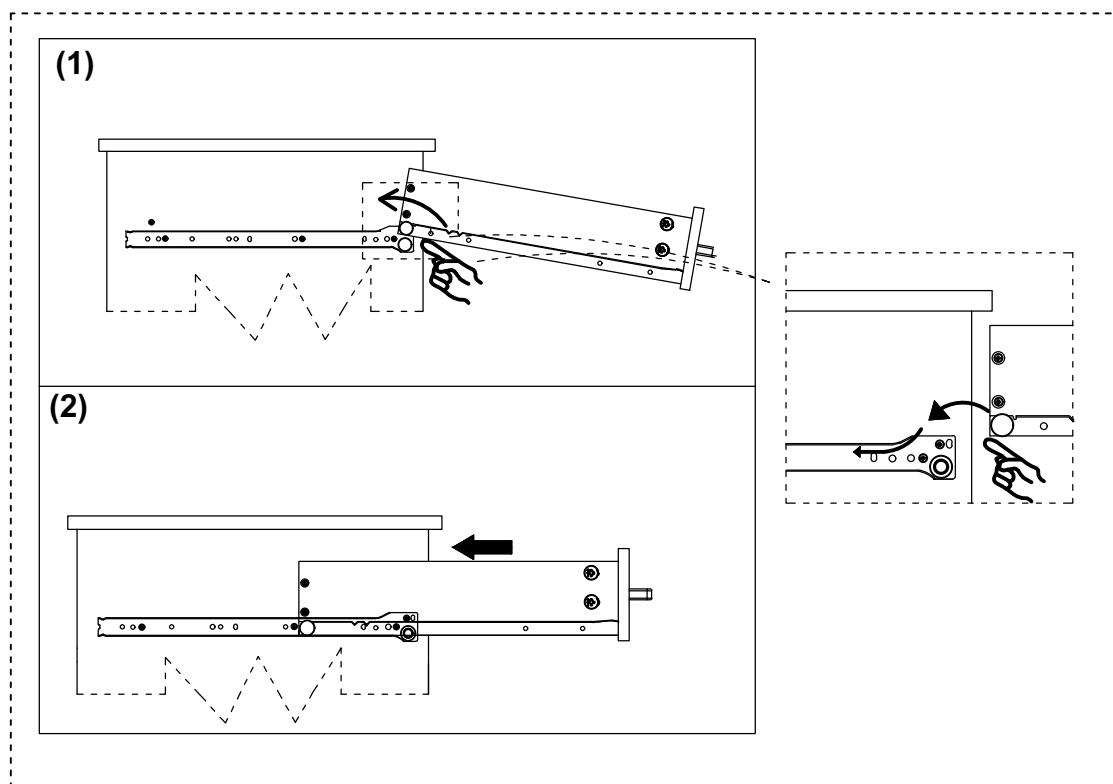
The backplate slots are rearward



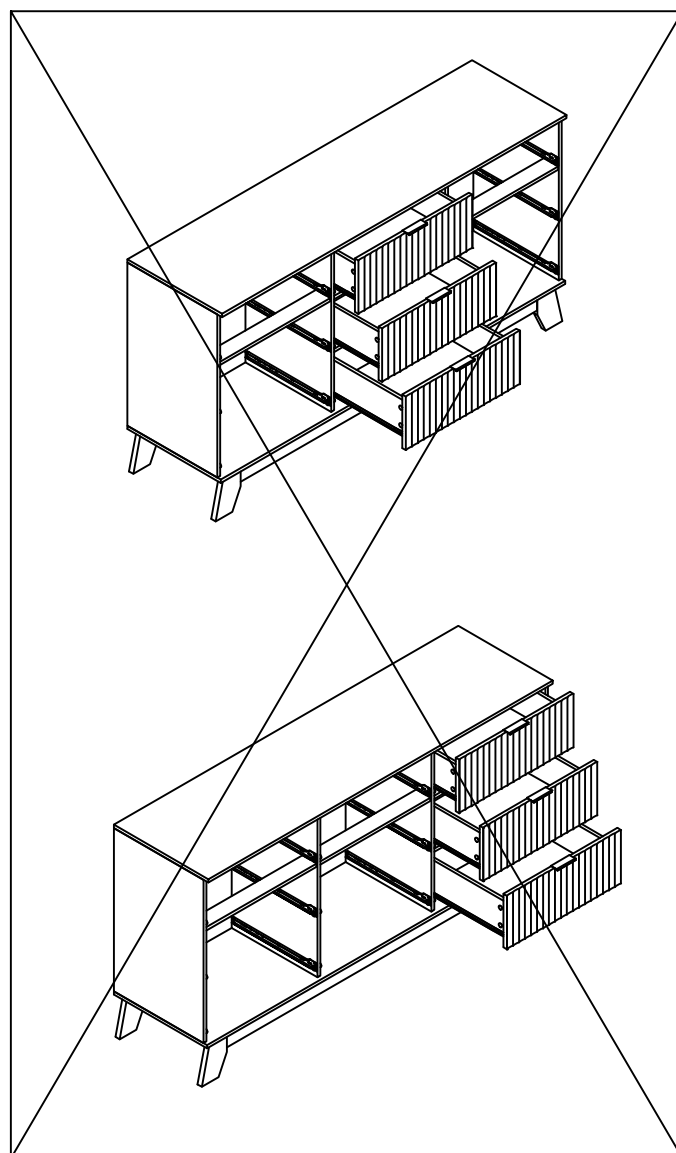
H x14

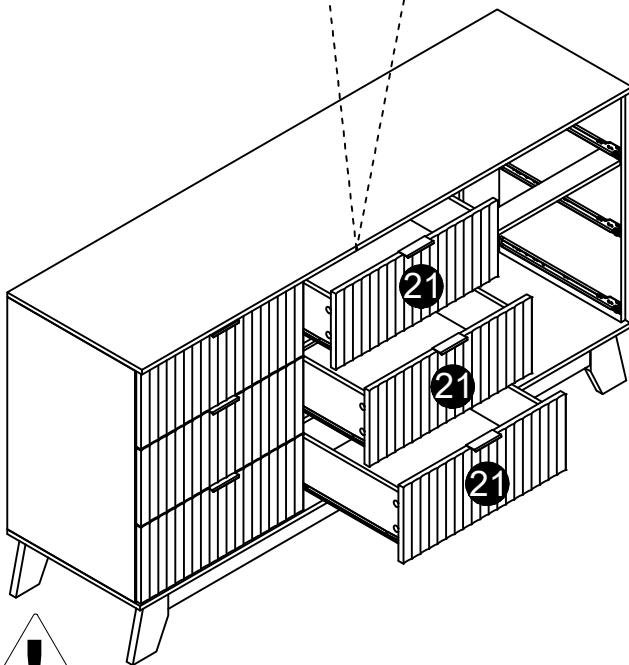
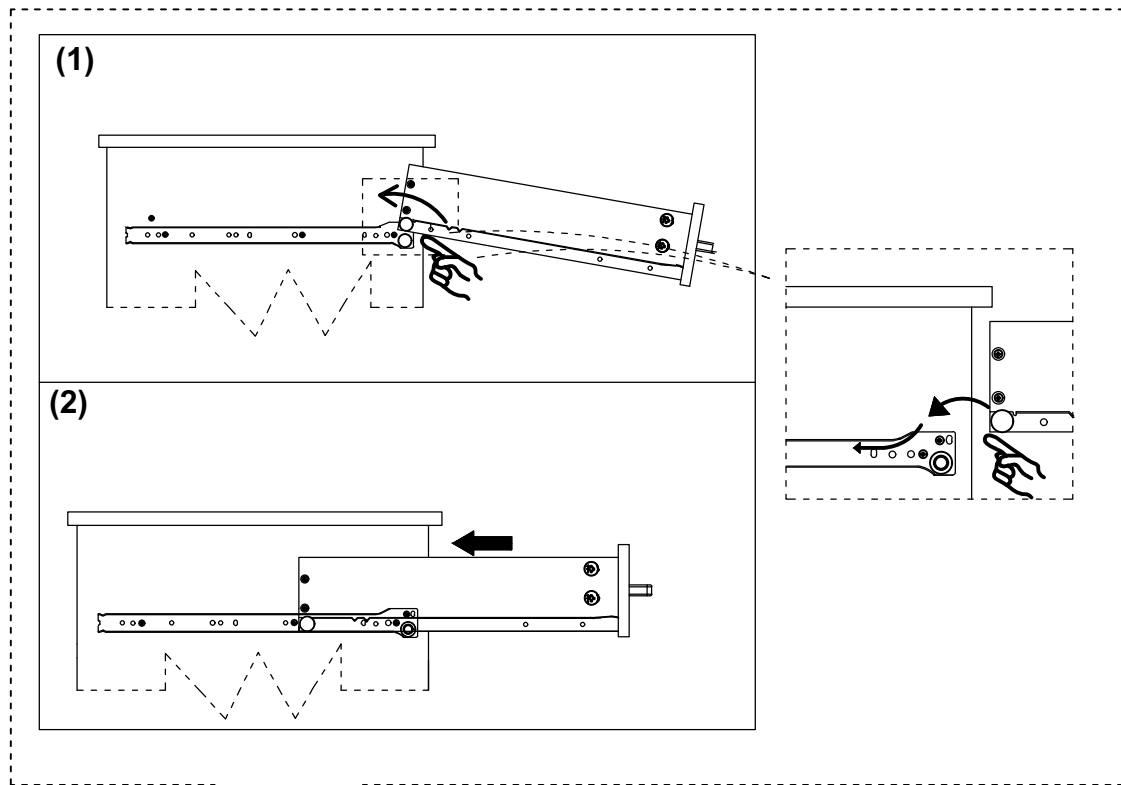
Q x8



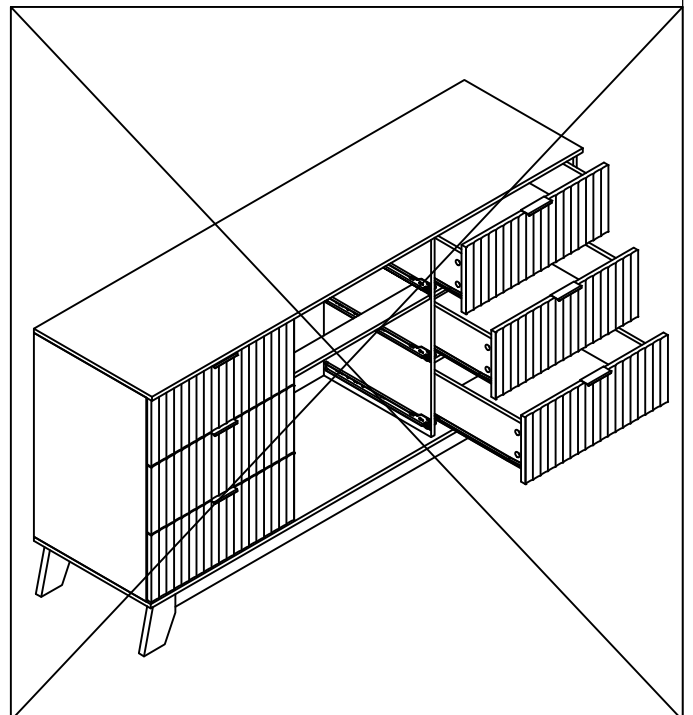


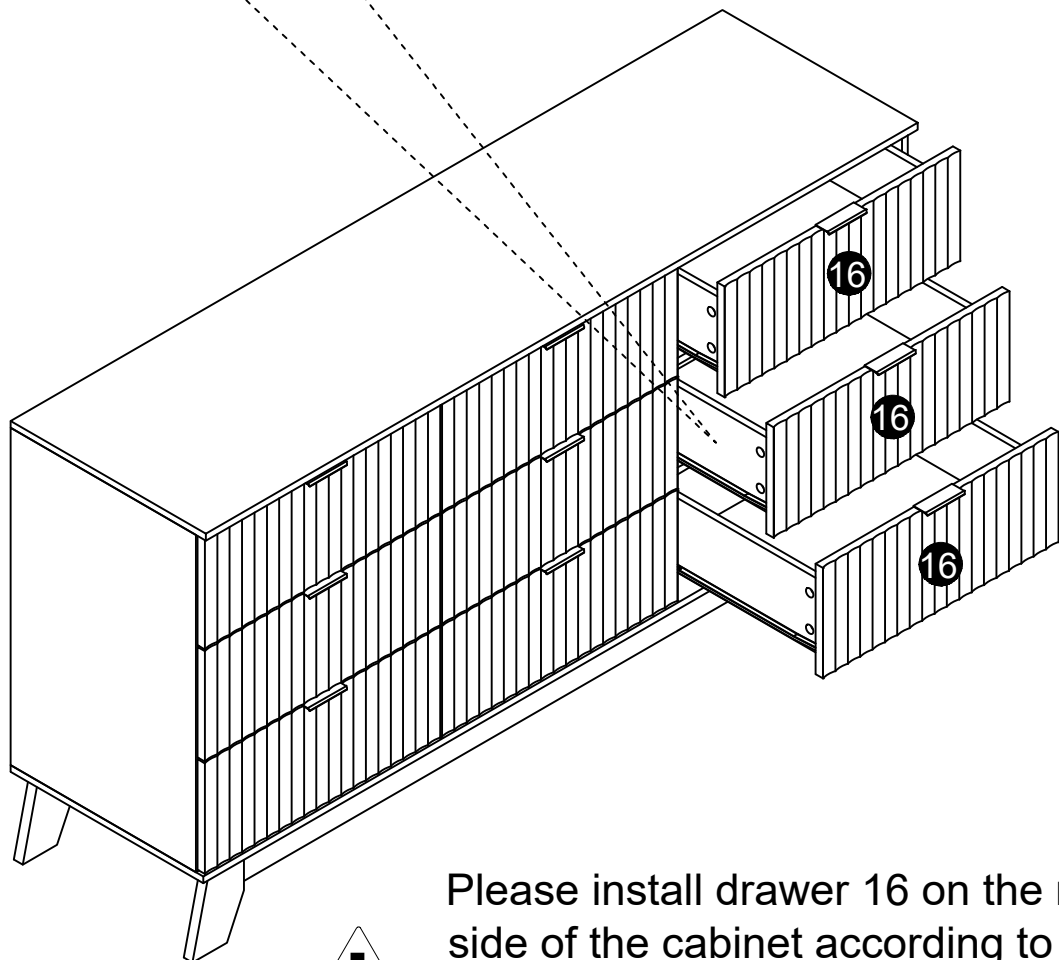
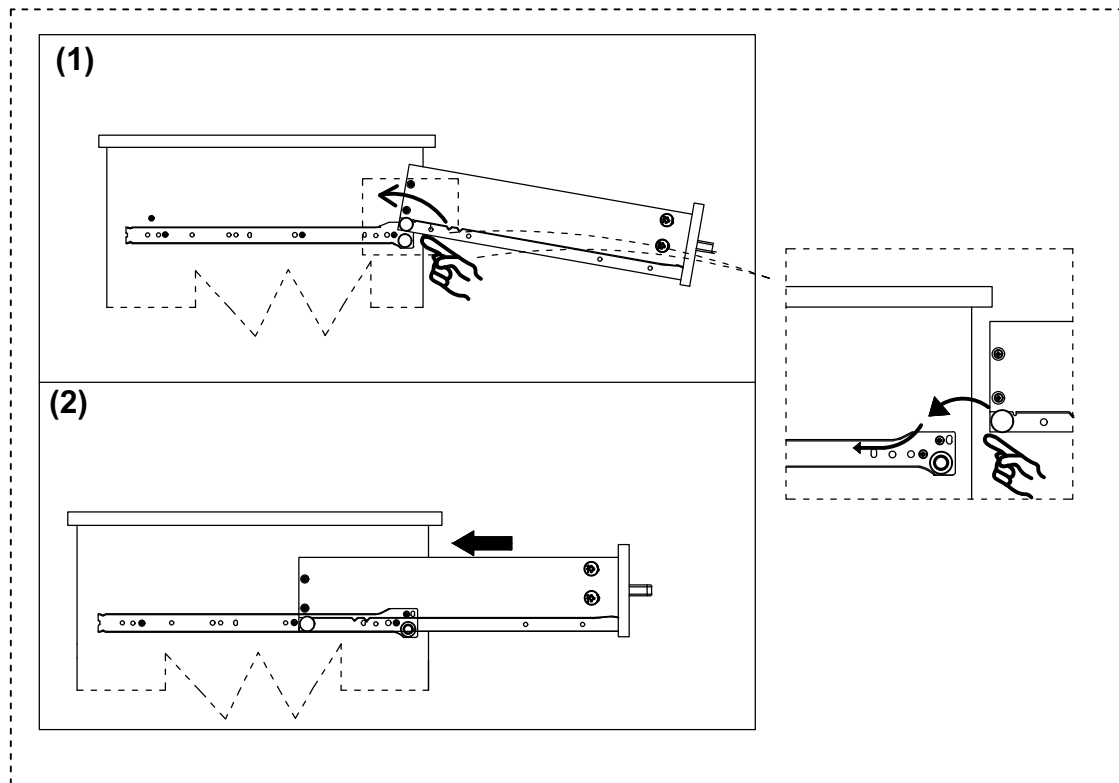
Please install drawer 15 on the left side of the cabinet according to the diagram. After installation, the gap on the left side is about 3mm.



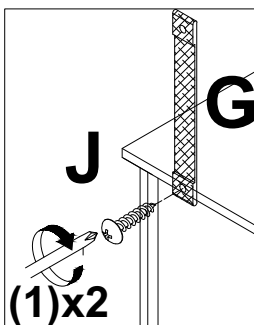
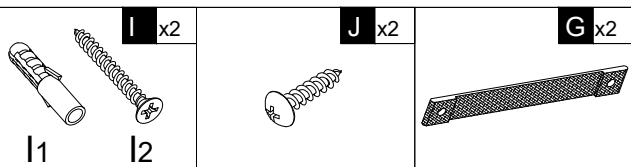


Please install drawer 21 in the middle of the cabinet according to the diagram. After installation, the left gap should be about 3mm.

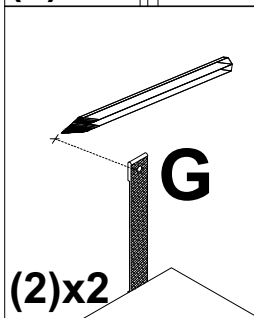




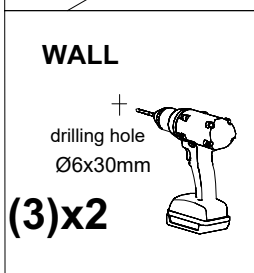
Please install drawer 16 on the right side of the cabinet according to the diagram. After installation, the gap on both sides should be about 3mm.



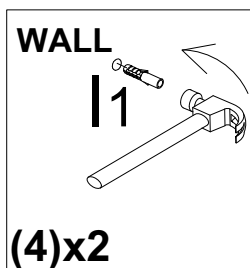
First fix the anti-rewind screw in the reserved hole of the product.



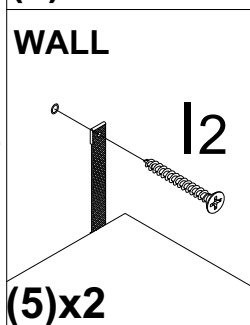
then, use a ruler to measure the approximate height of the product on the wall, and then mark it with a pen.



Then use a tape drill to make holes in the wall that are suitable for the product screws.



Then, put the expansion bolt into the hole



Finally, pass the matching screws through the "anti-rewind" and tighten them to fix them on the wall.

