

# ASSEMBLY INSTRUCTION



A1x1



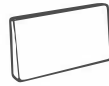
A2x1



B x1



C x1



D x1



E x1



F x3



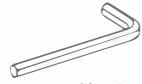
G x8



H x8

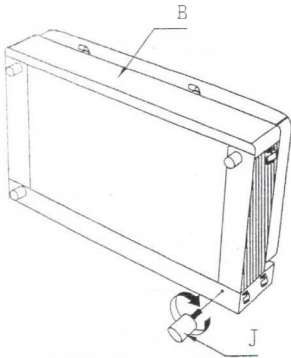


J x4

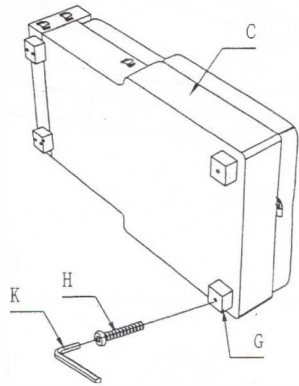


K x1

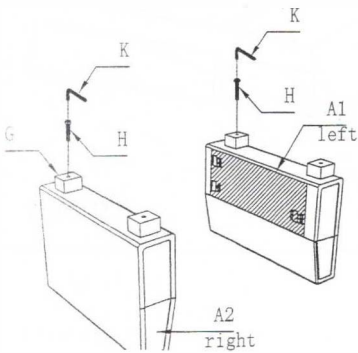
## Step1



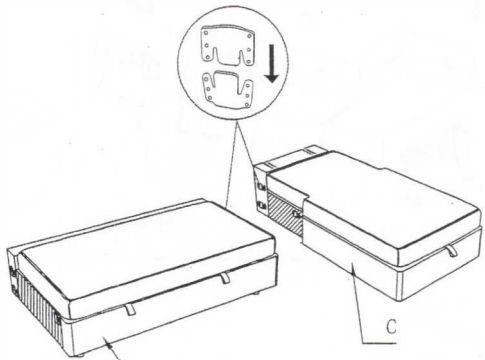
## Step2



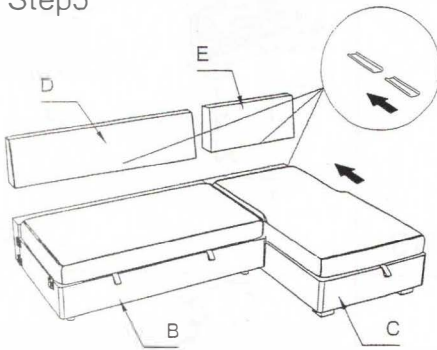
## Step3



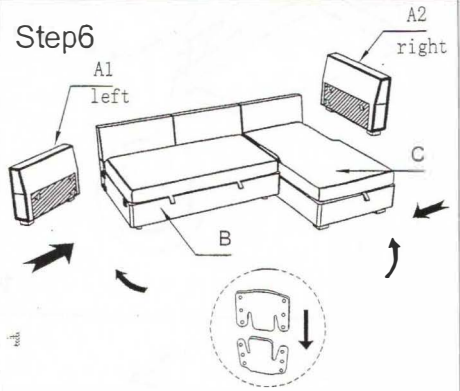
## Step4



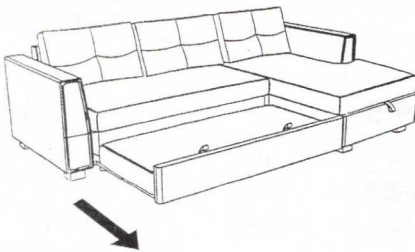
Step5



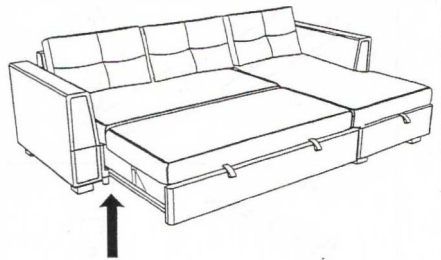
Step6



Step7



Step8



Step9

