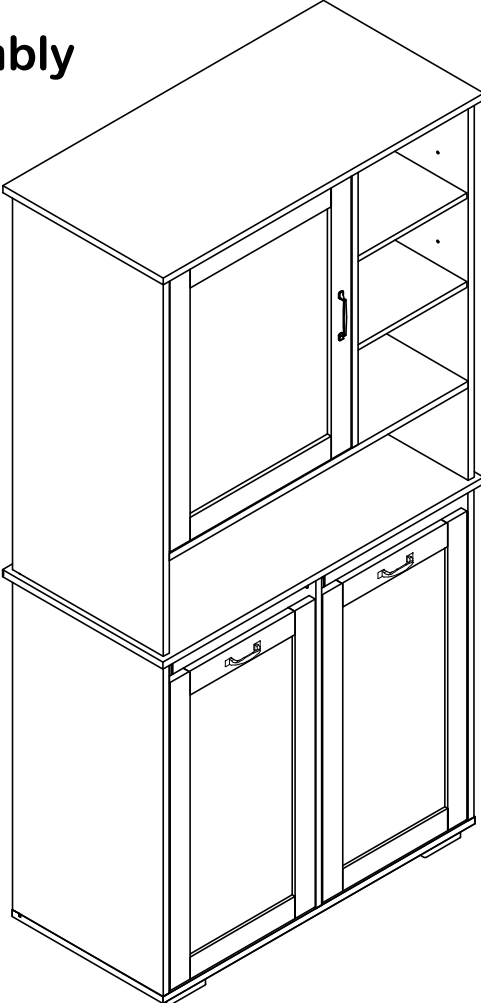
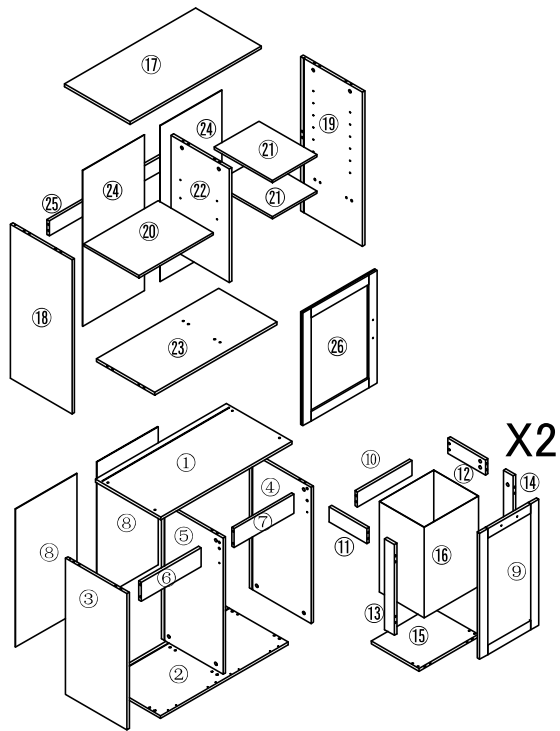
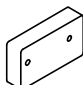
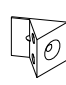

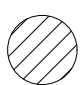
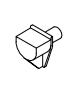
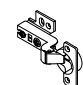
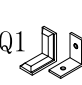


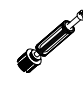

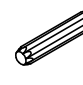



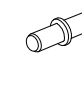
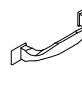

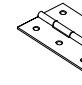


Installation & Assembly





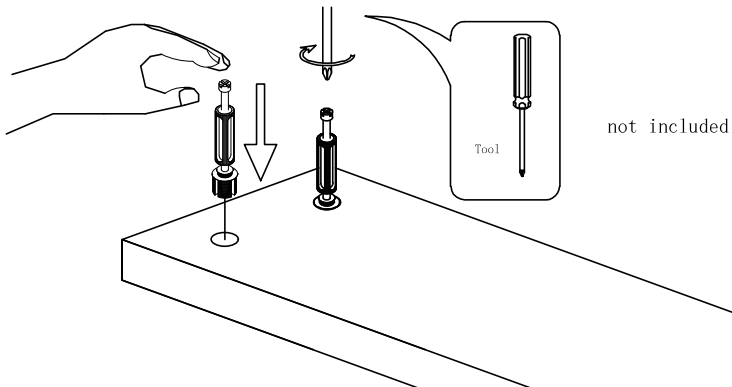
K	 4PCS	L	 16PCS	M	3*12  16PCS	N	 12PCS	O	 12PCS	P	 2PCS	Q	Q1 Q2  2PCS	R	 2PCS	S	 1PC		
A	 62PCS	B	 62PCS	C	8*40  36PCS	D	3.5*14  38PCS	E	3.5*25  8PCS	F	7*50  14PCS	G	 4PCS	H	 3PCS	I	4*18  6PCS	J	 4PCS



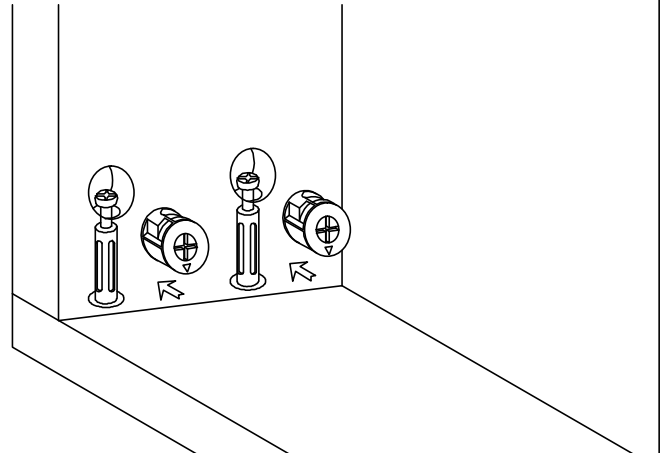
Hardware installation demonstration

NOTE: Please make sure "A" hardware tightened and can't be pulled out!

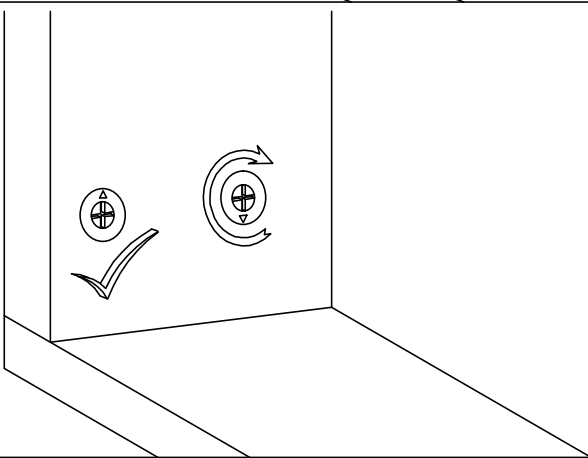
I



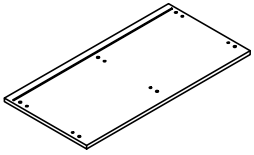
II



III

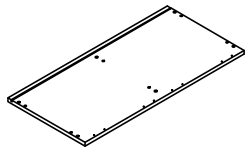


1



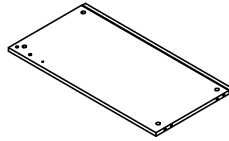
800*400 1PS

2



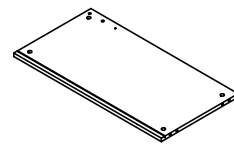
778*376 1PS

3



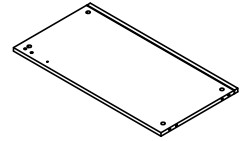
720*376 1PS

4



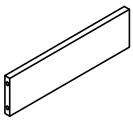
720*376 1PS

5



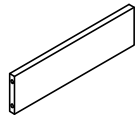
720*376 1PS

6



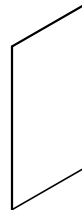
365*100 1PS

7



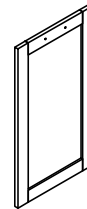
365*100 1PS

8



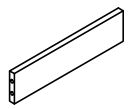
730*374 1PS

9



666*362 2PS

10



330*80 2PS

11



230*80 2PS

12



230*80 2PS

13



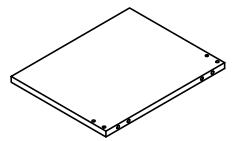
480*60 2PS

14



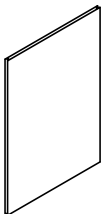
480*60 2PS

15



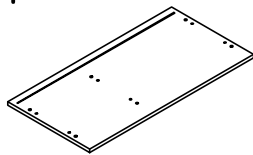
362*290 2PS

16



331*479 2PS

17



800*400 1PS

18



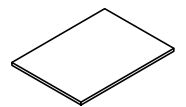
815*376 1PS

19



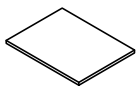
815*376 1PS

20



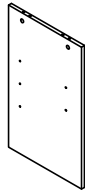
453.5*338 1PS

21



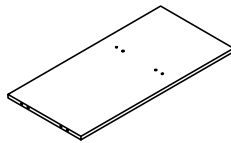
272.5*354 2PS

22



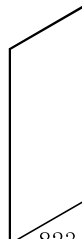
600*356 1PS

23



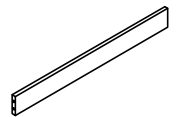
745*356 1PS

24



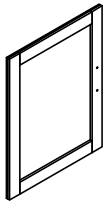
823.5*376.5 2PS

25



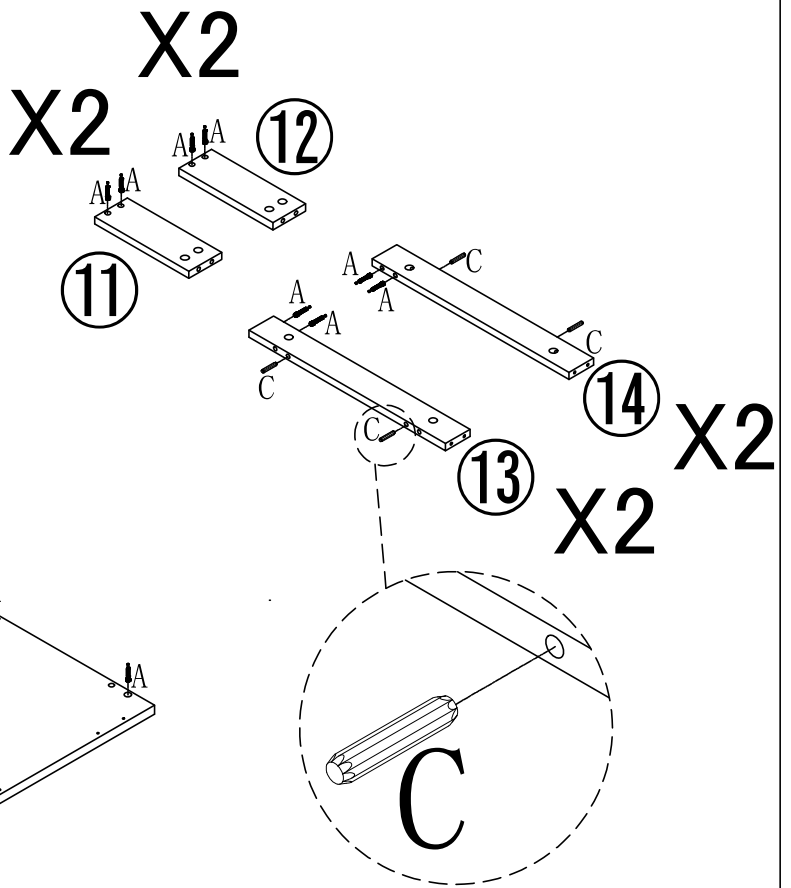
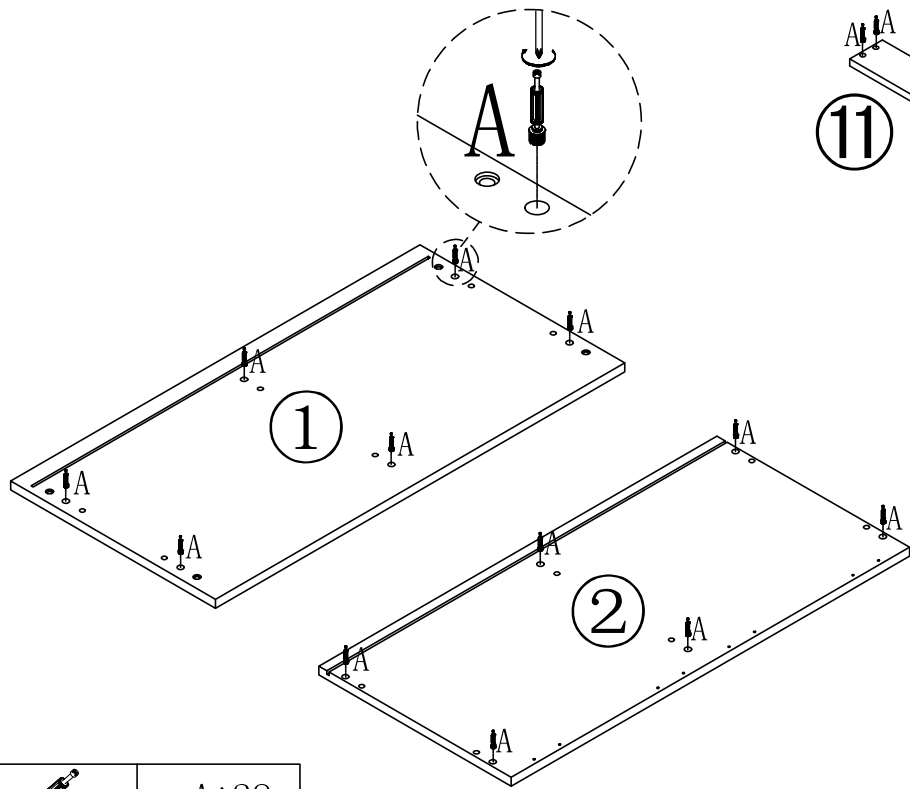
745*80 1PS



26



596*452 1PS

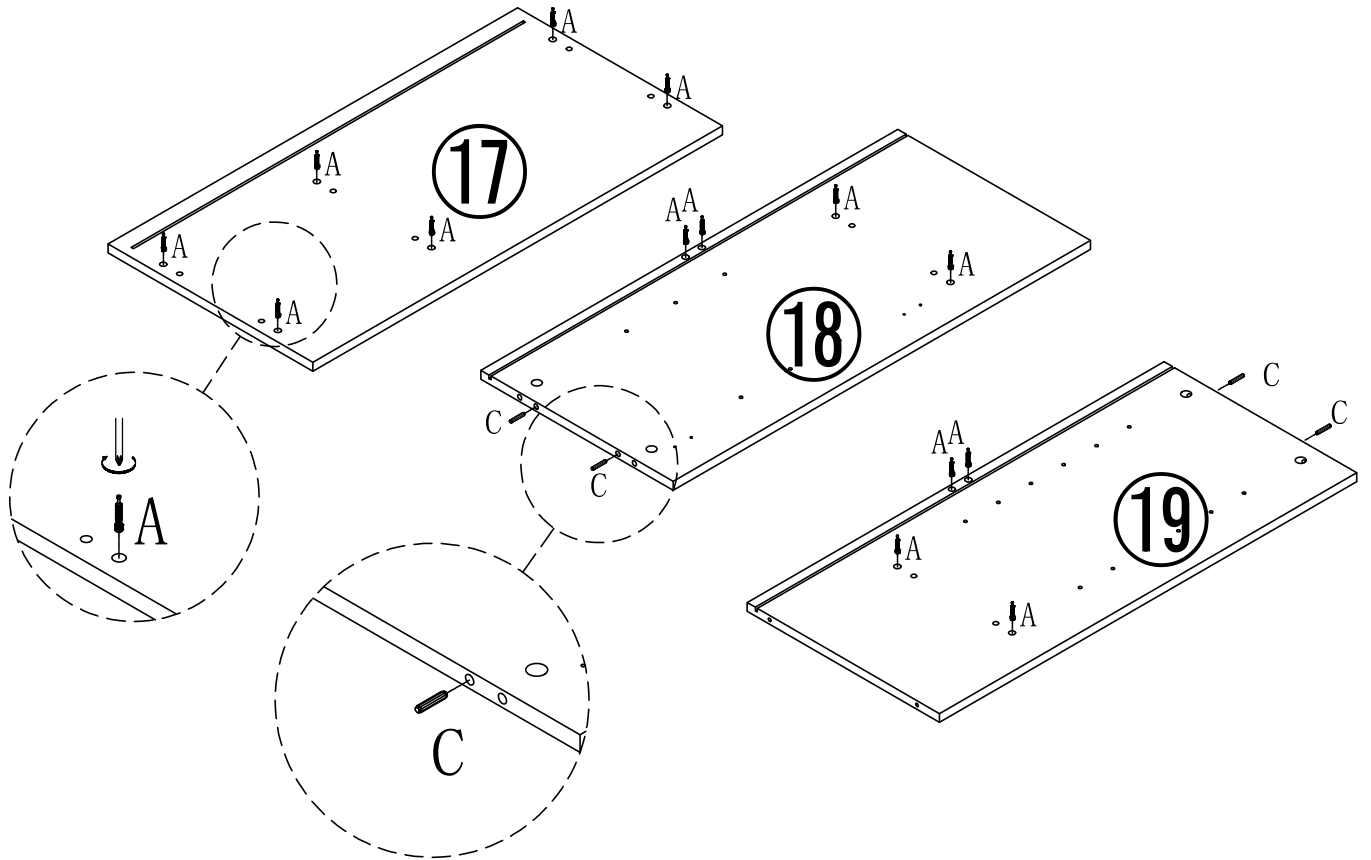
①





	A*28
	C*8

put A on board ①②⑪⑫⑬⑭
 put C on board ⑬⑭

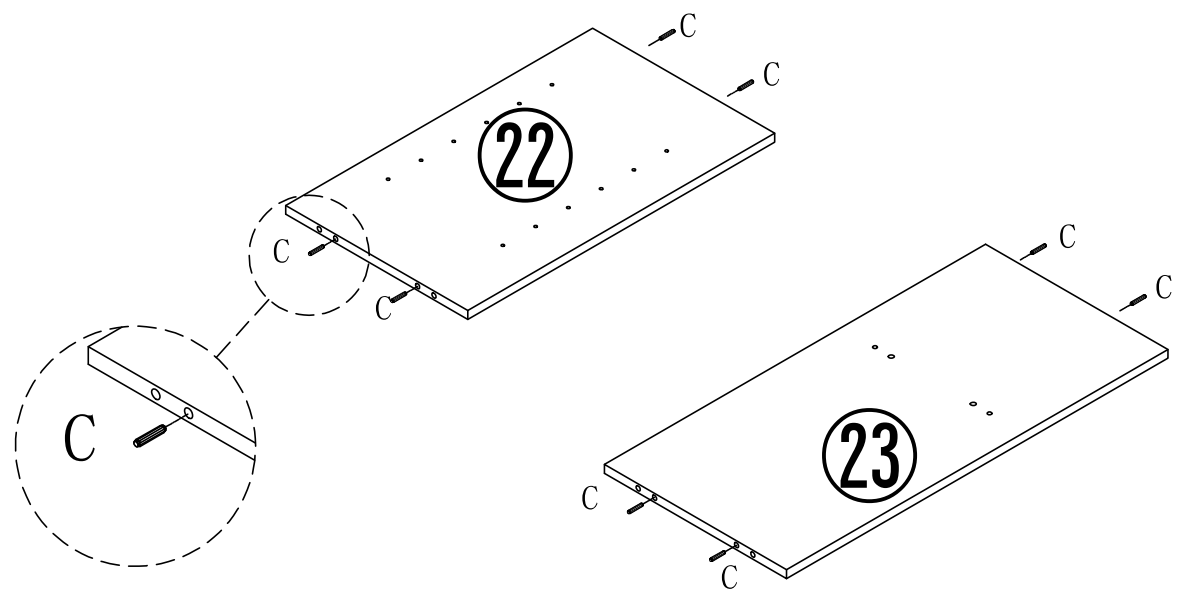
3



	A*14
	C*4

put A on board 17 18 19
put C on board 18 19

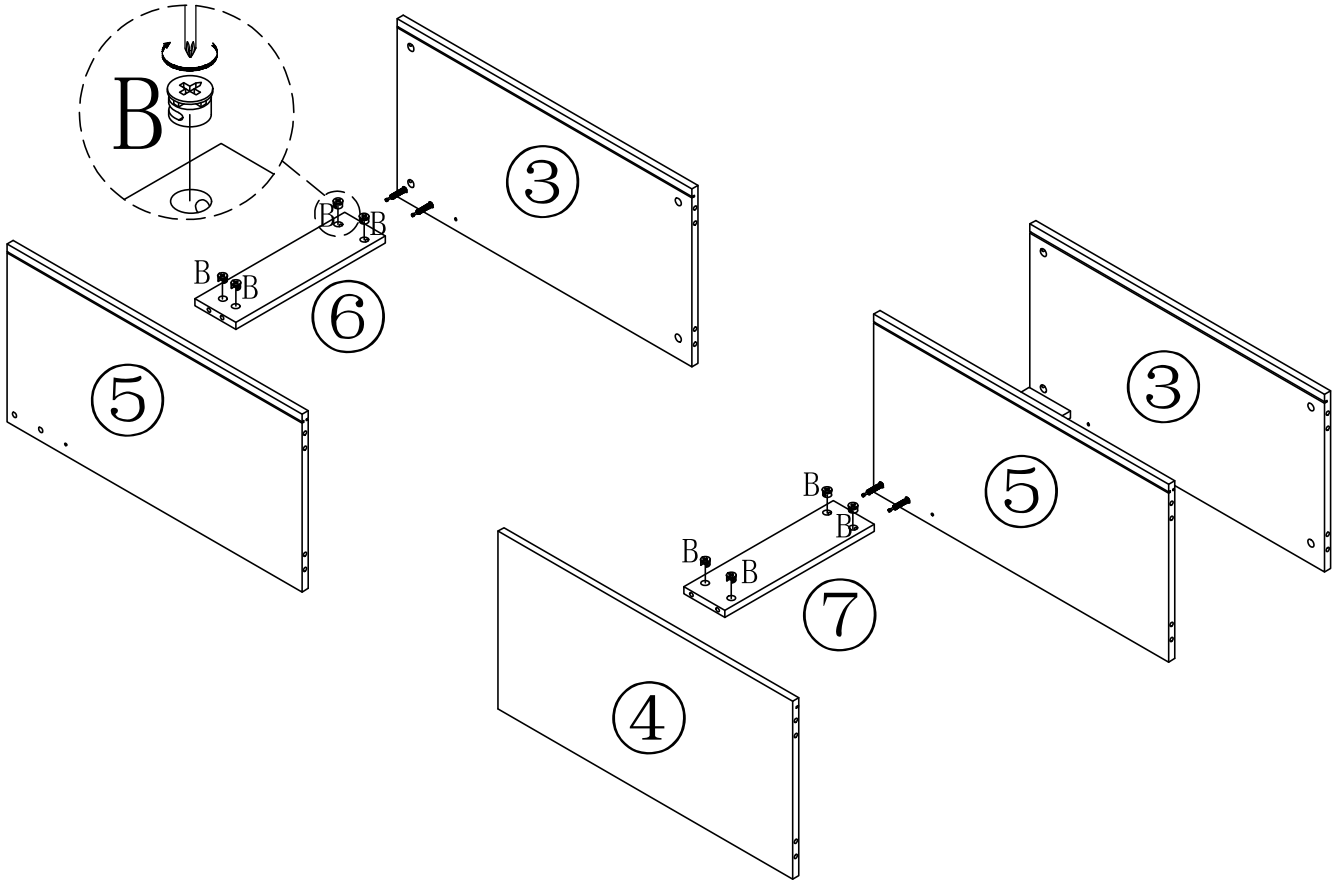
4



put C on board 22 23

	C*8
--	-----

5



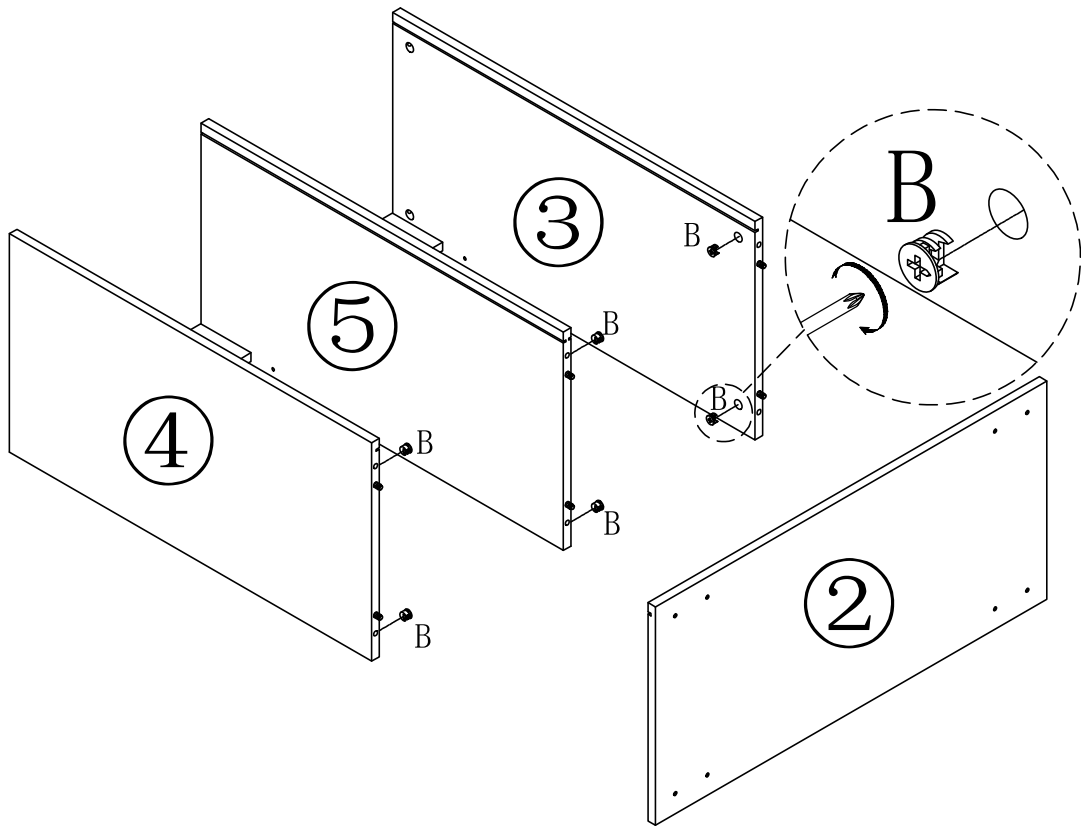
Make sure the arrow on the screw align to the hole on the side.



B*8

put B on board 6 7

⑥



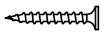
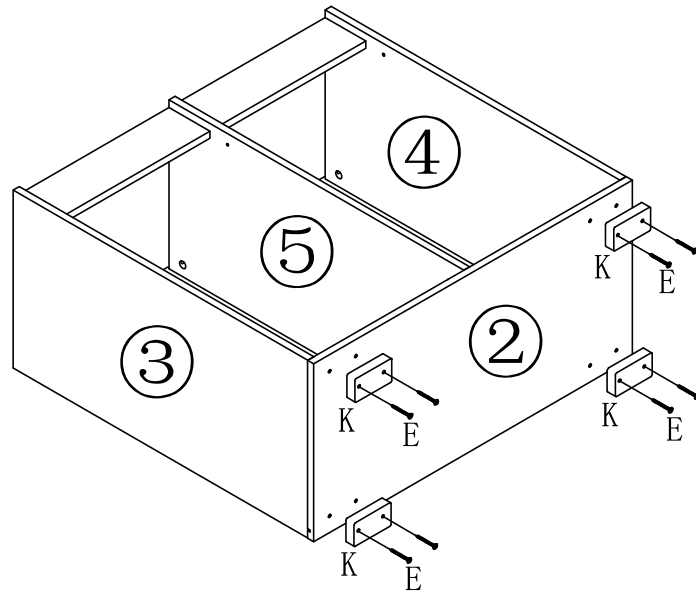
Make sure the arrow on the screw align to the hole on the side.



B*6

put B on board ③ ④ ⑤

7

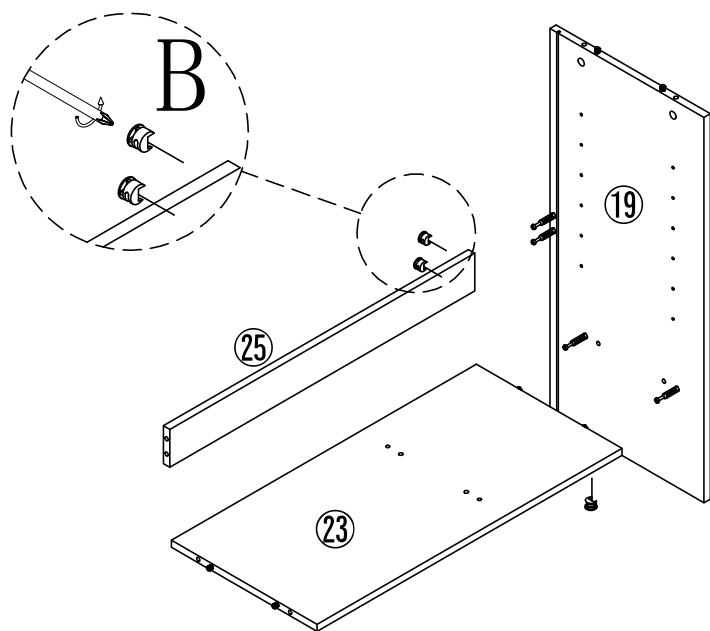


E*8



K*4

8



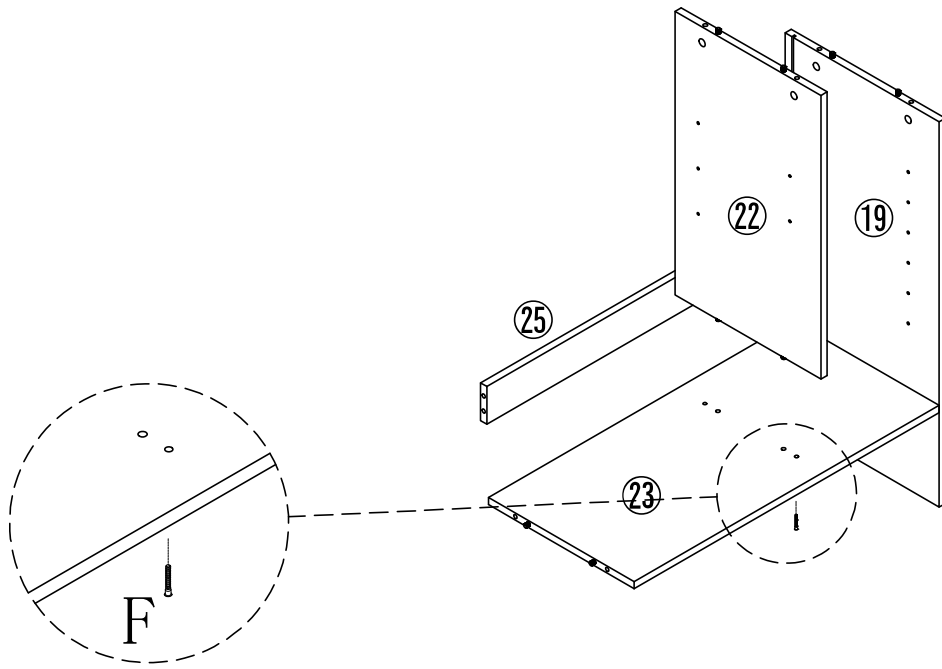
Make sure the arrow on the screw align to the hole on the side.



B*4

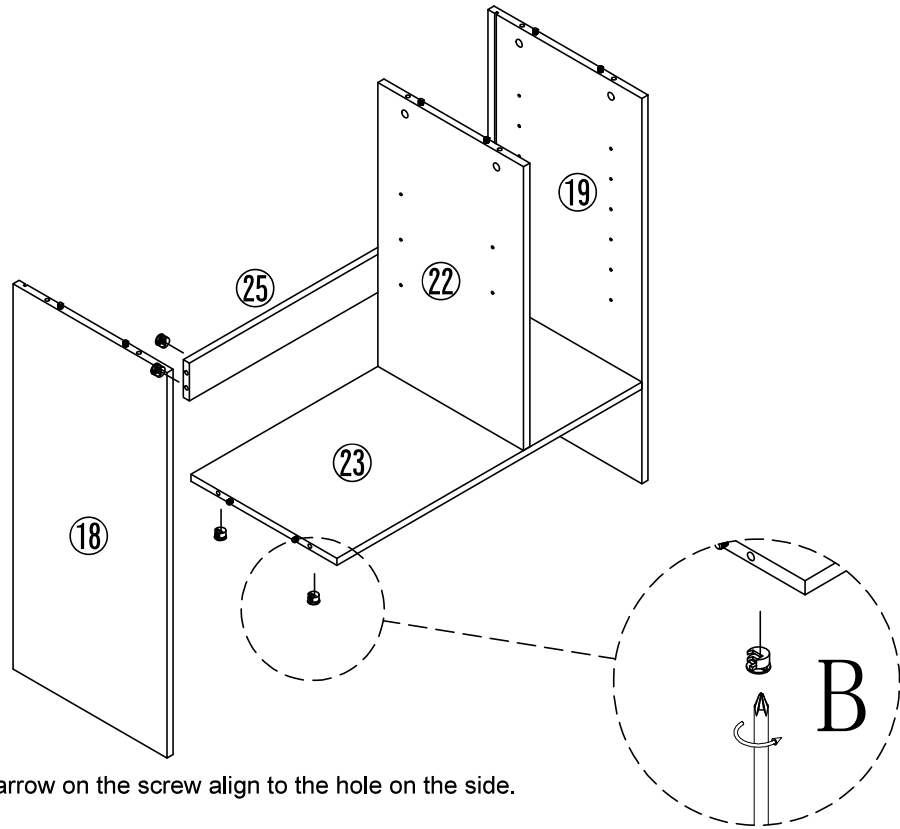
put B on board 23 25

9



F*2

10



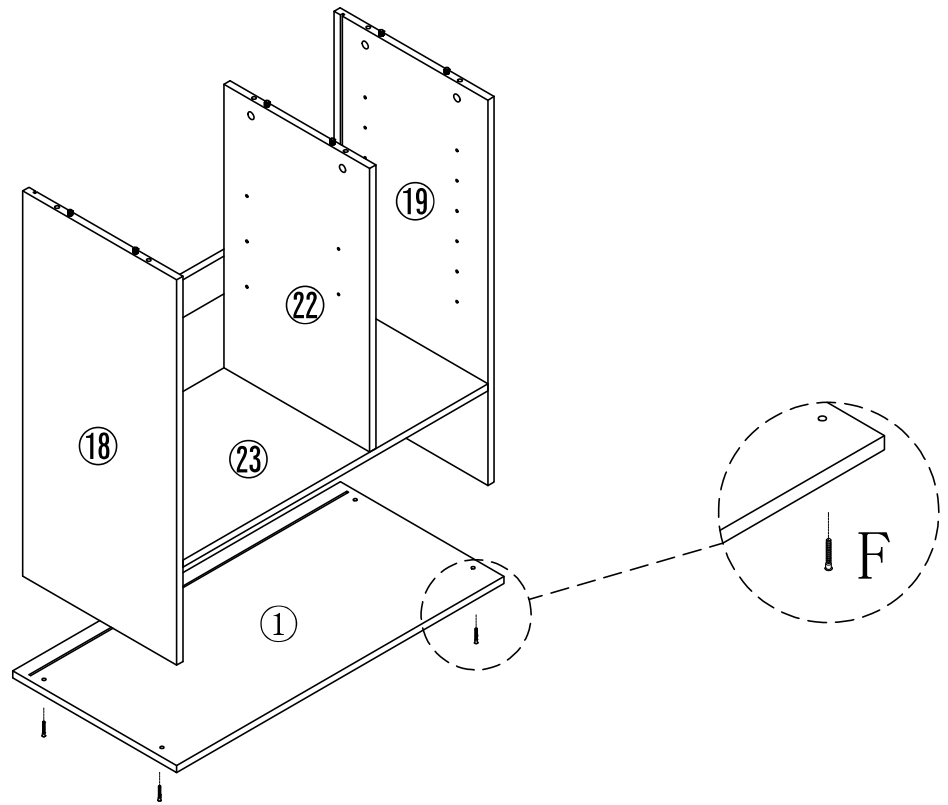
Make sure the arrow on the screw align to the hole on the side.

put B on board 23 25



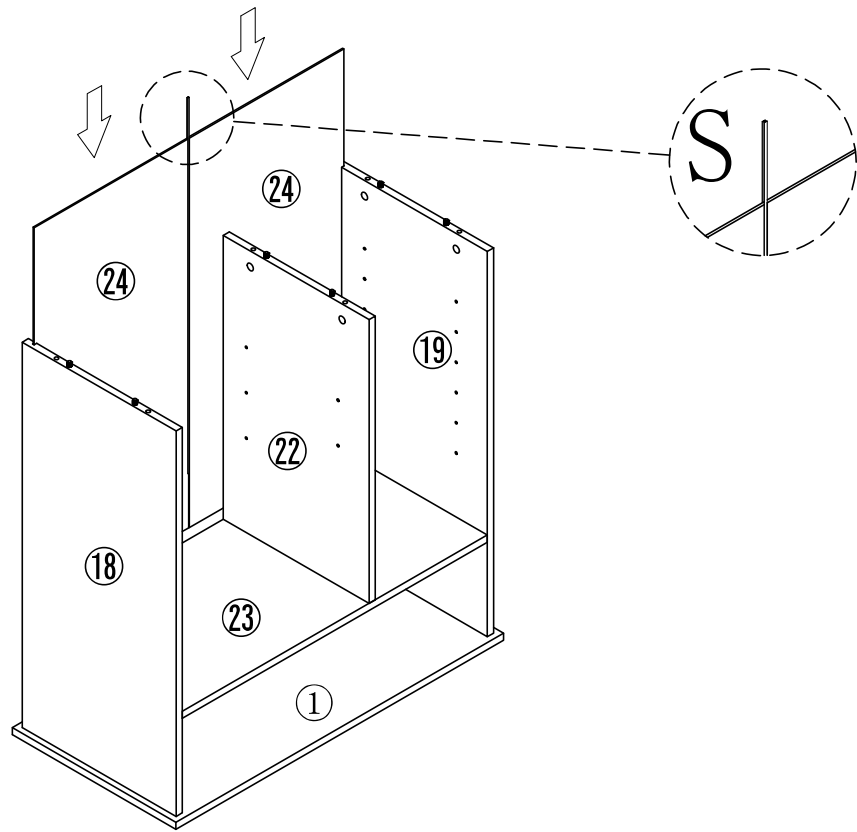
B*4

11



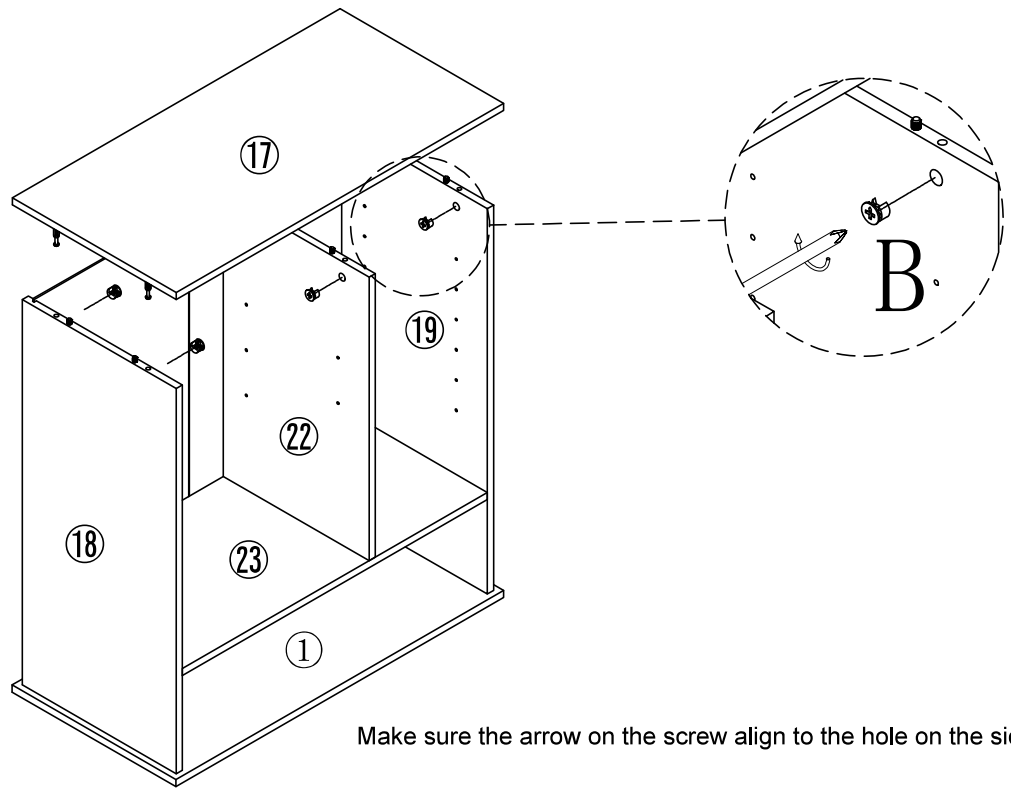
F*4

12



S*1

13



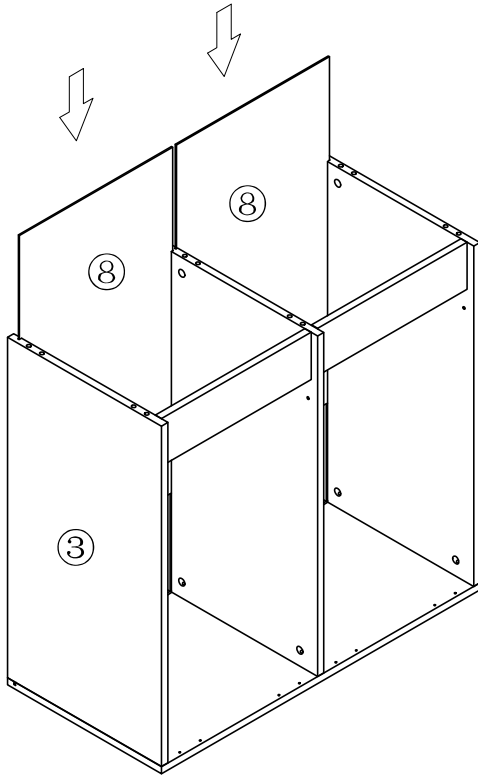
Make sure the arrow on the screw align to the hole on the side.

put B on board 18 19 22

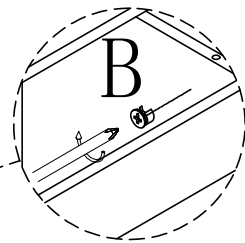
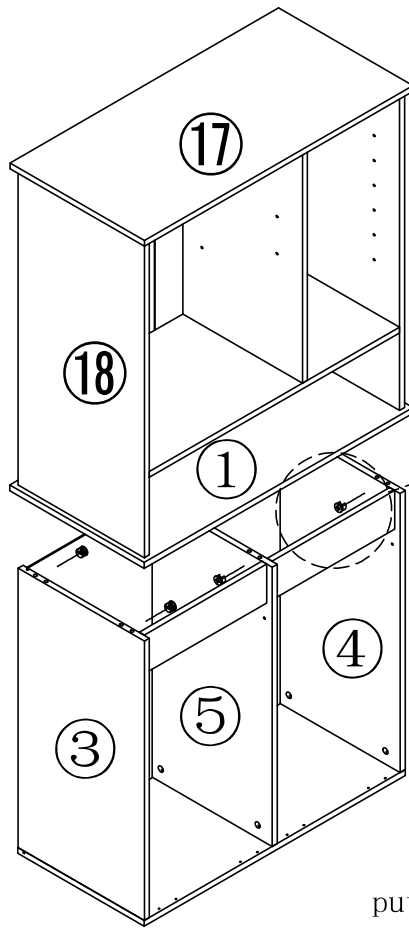


B*6

14



15



Make sure the arrow on the screw align to the hole on the side.

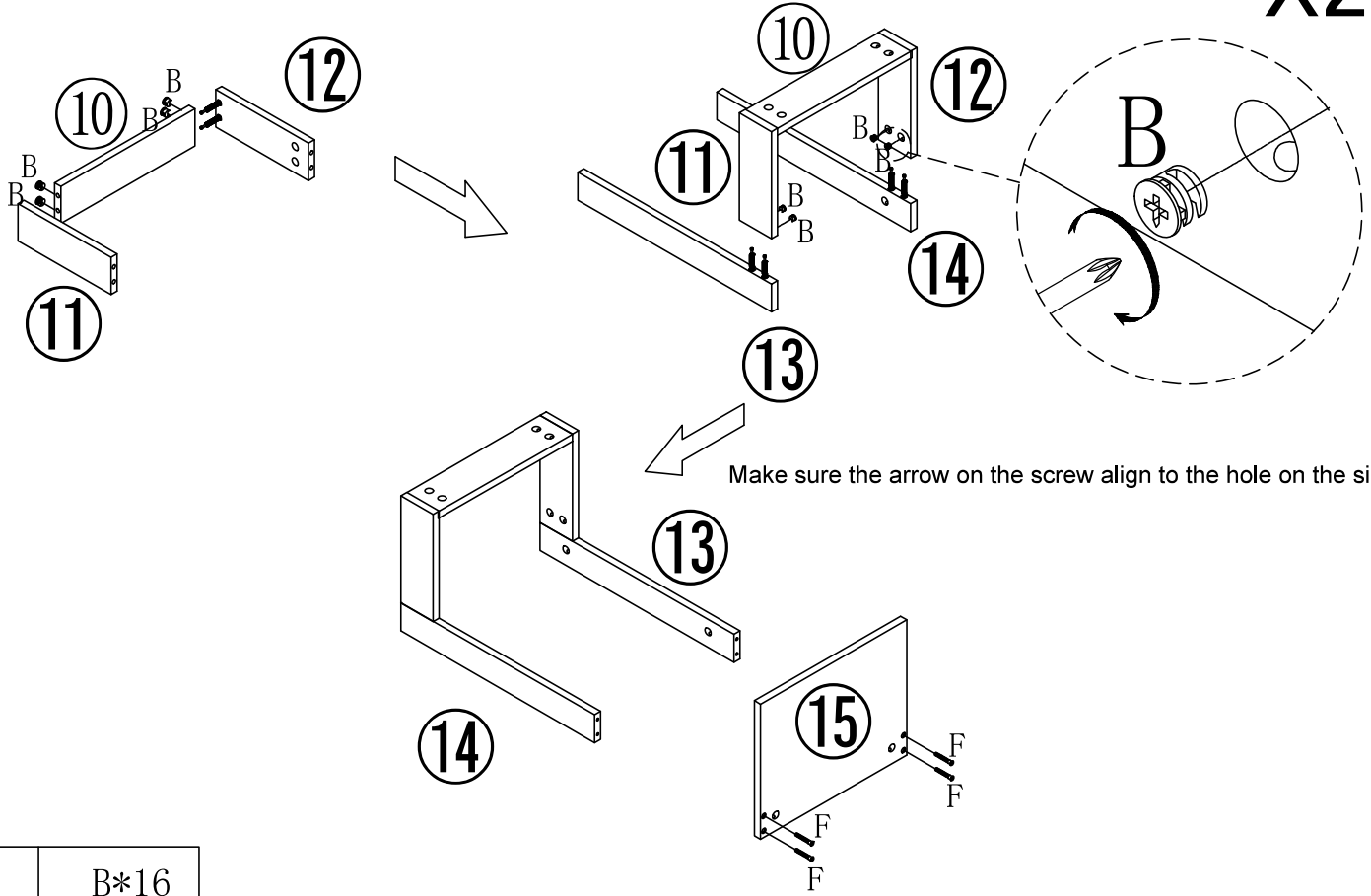
put B on board 3 4 5



B*6



16

X2

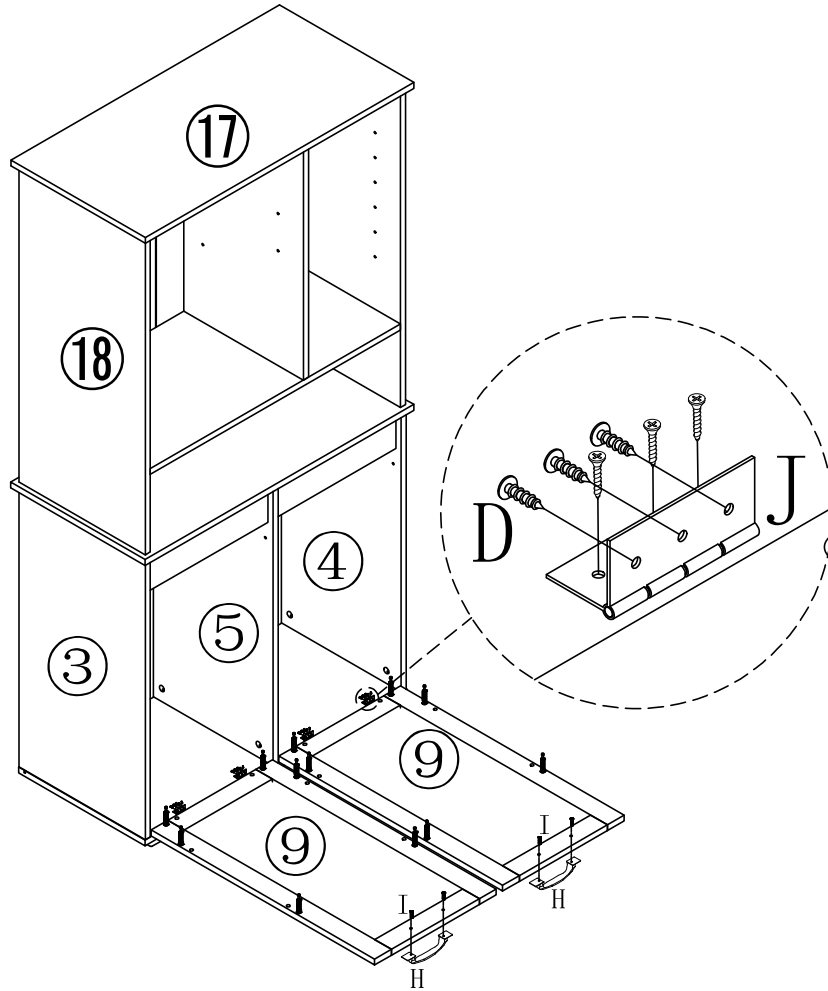






Make sure the arrow on the screw align to the hole on the side.

put B on board 10 11 12

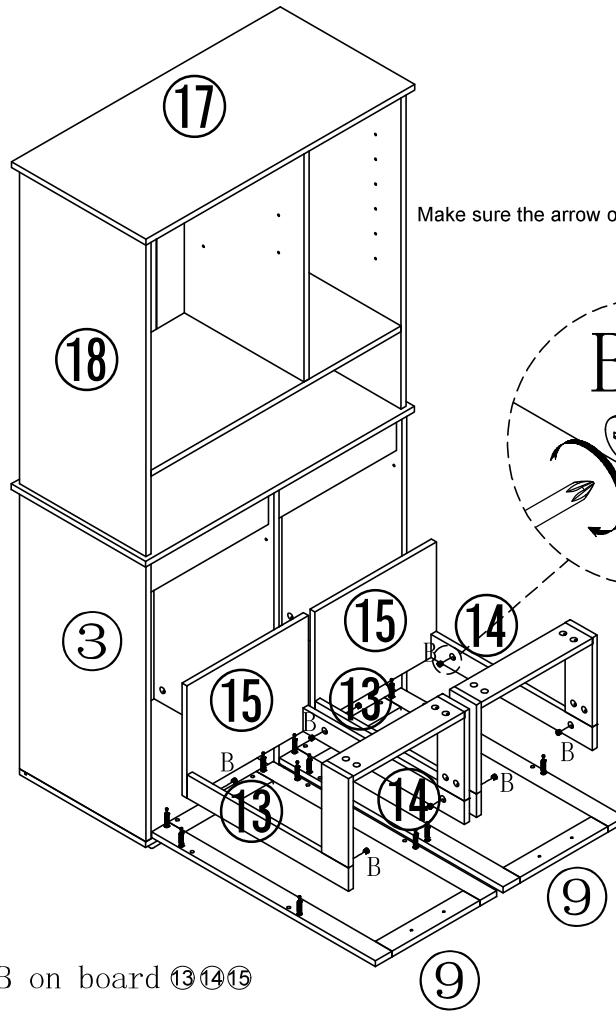
	B*16
	F*8

17



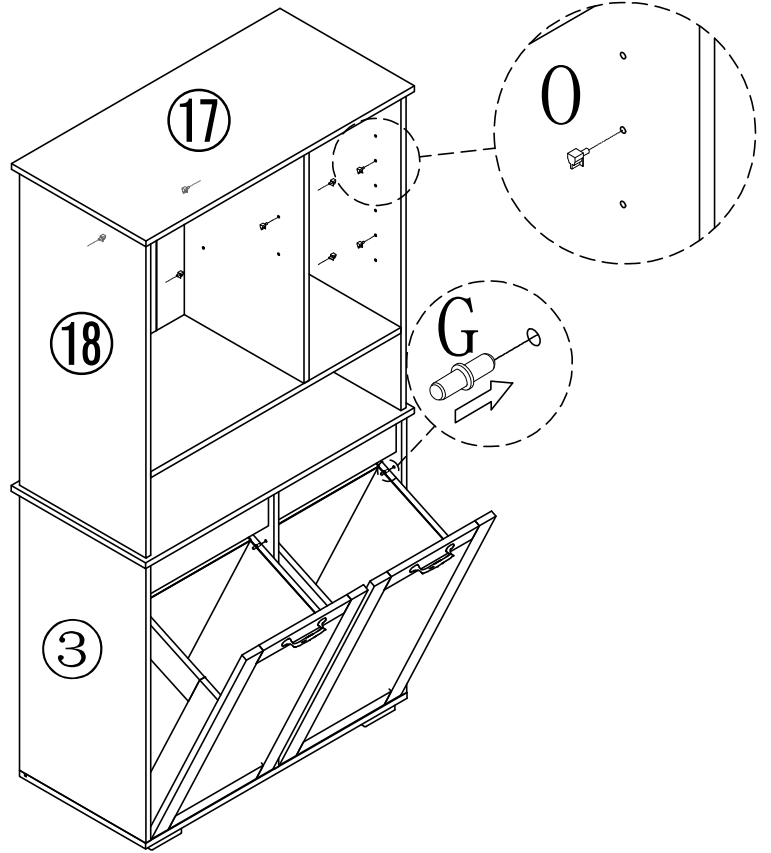
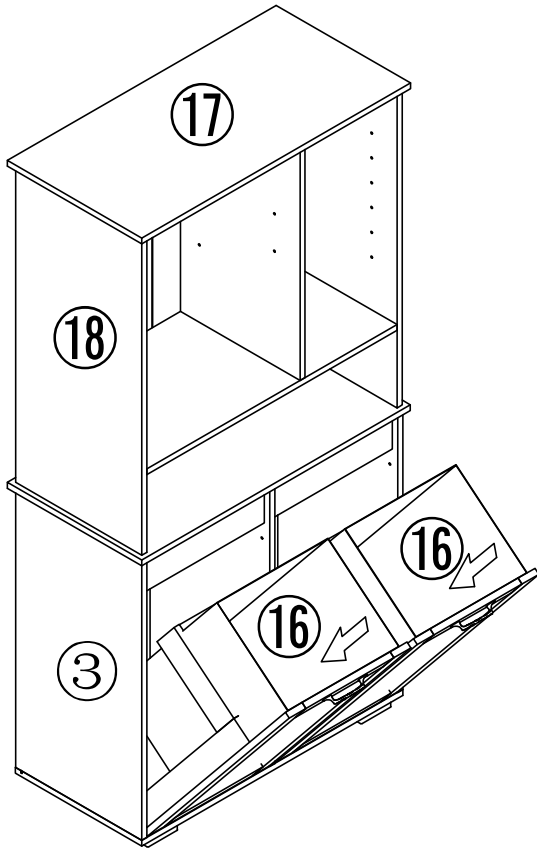
	D*24
	H*2
	I*4
	J*4



18



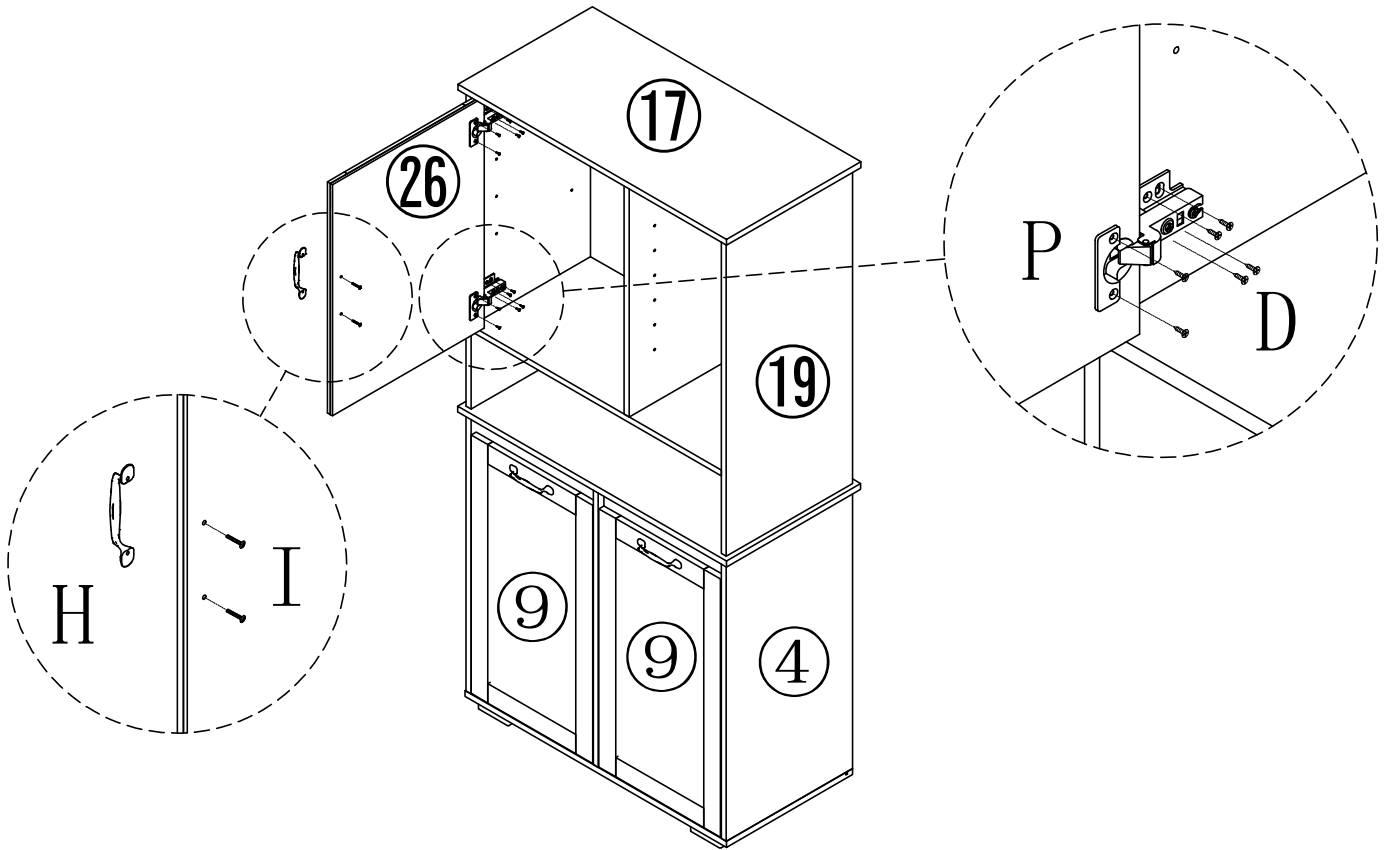
B*12



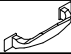

19



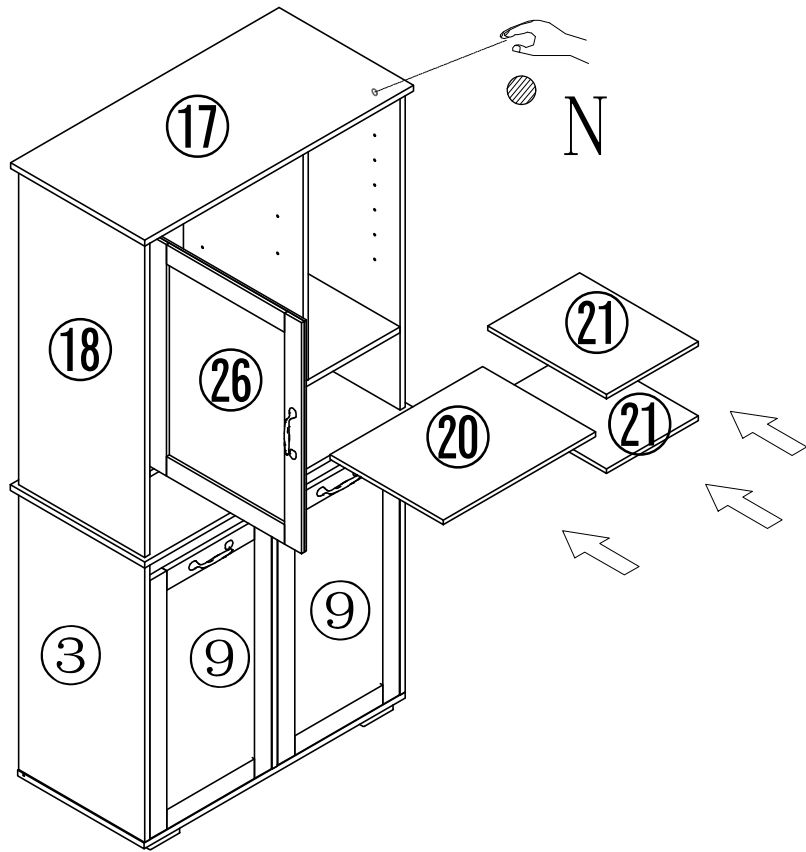
	0*12
	G*4

20



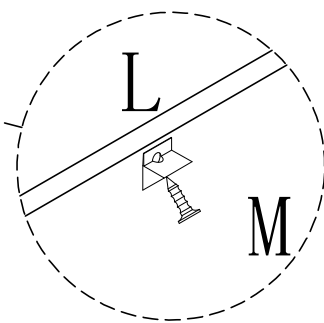
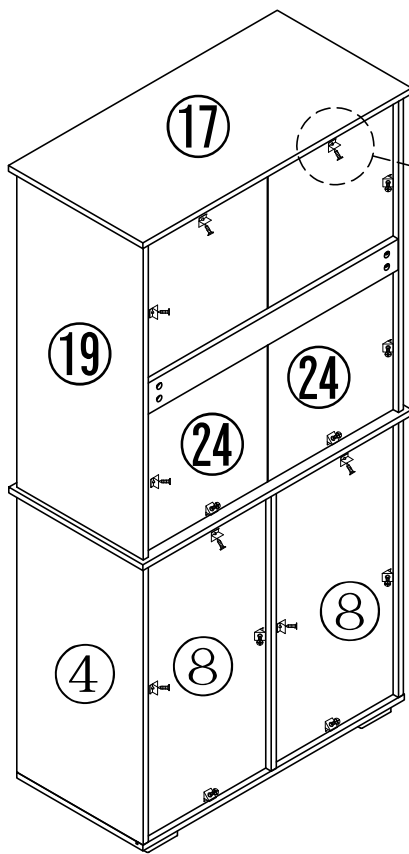
	I*2		D*12
	H*1		P*2

21



N*12

22

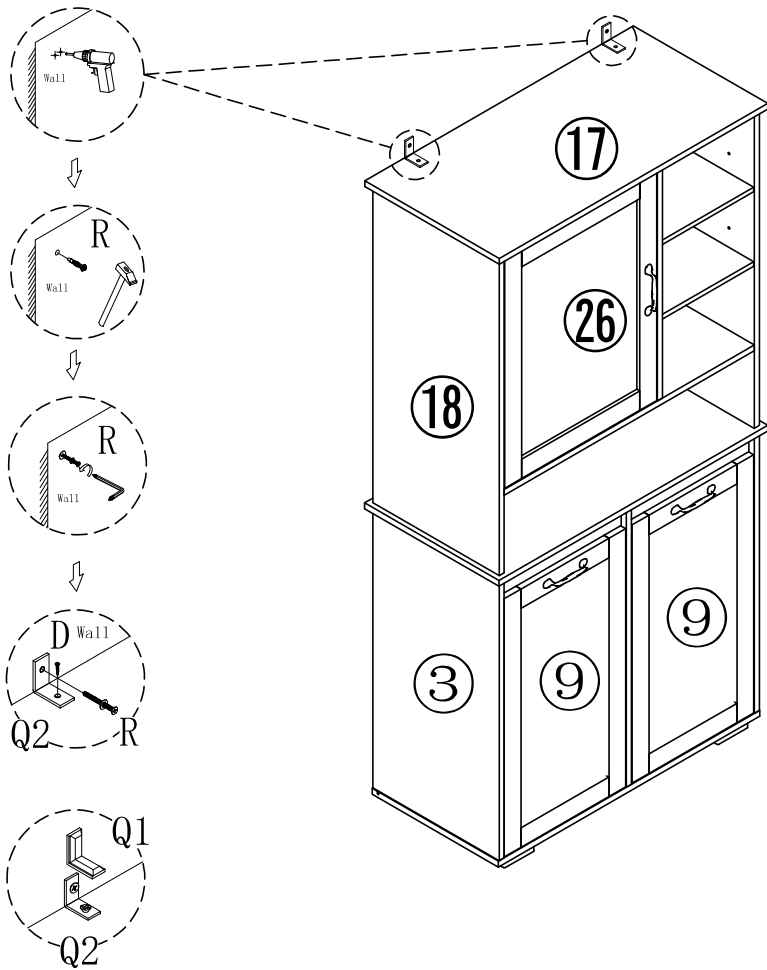


M*16



L*16

23



END

	Q1*2
	Q2*2
	R*2
	D*2