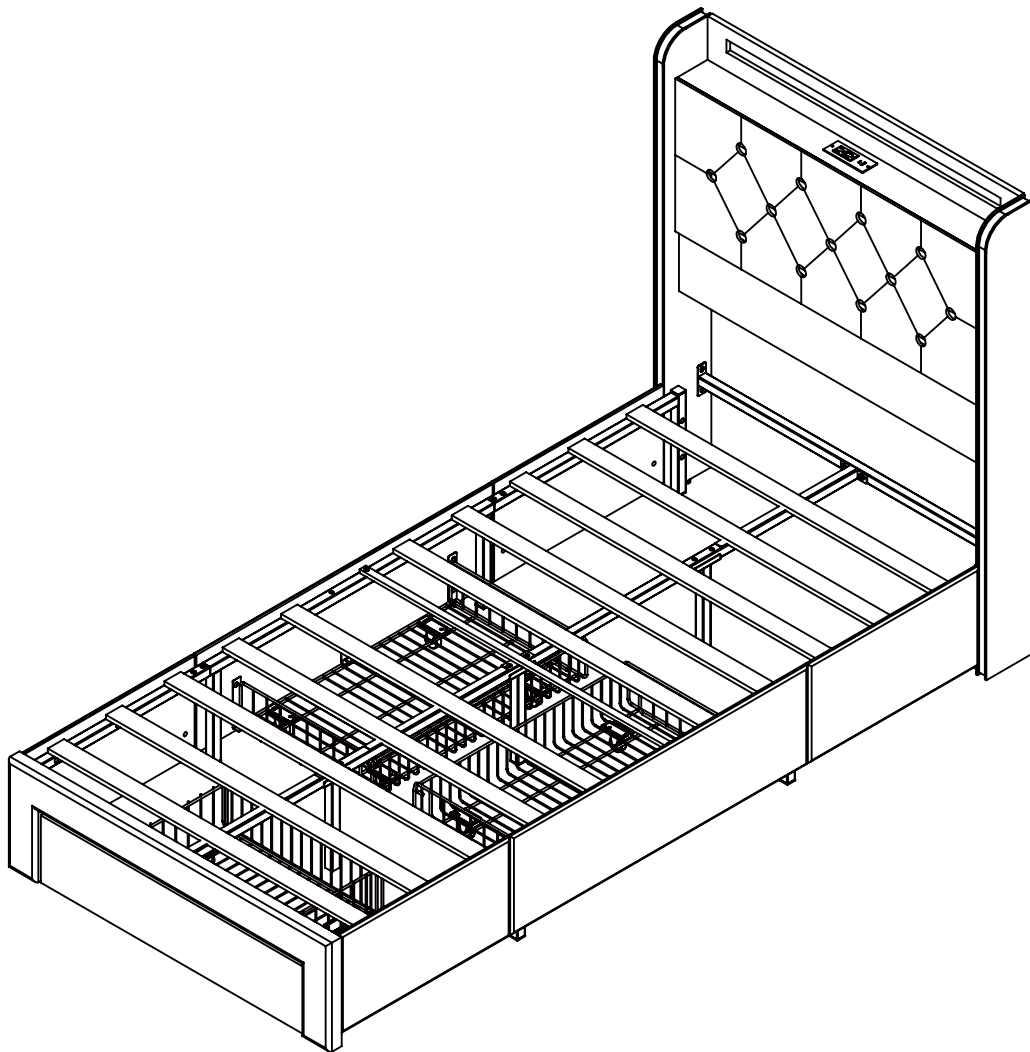


ASSEMBLY INSTRUCTIONS

DEAR CUSTOMER,

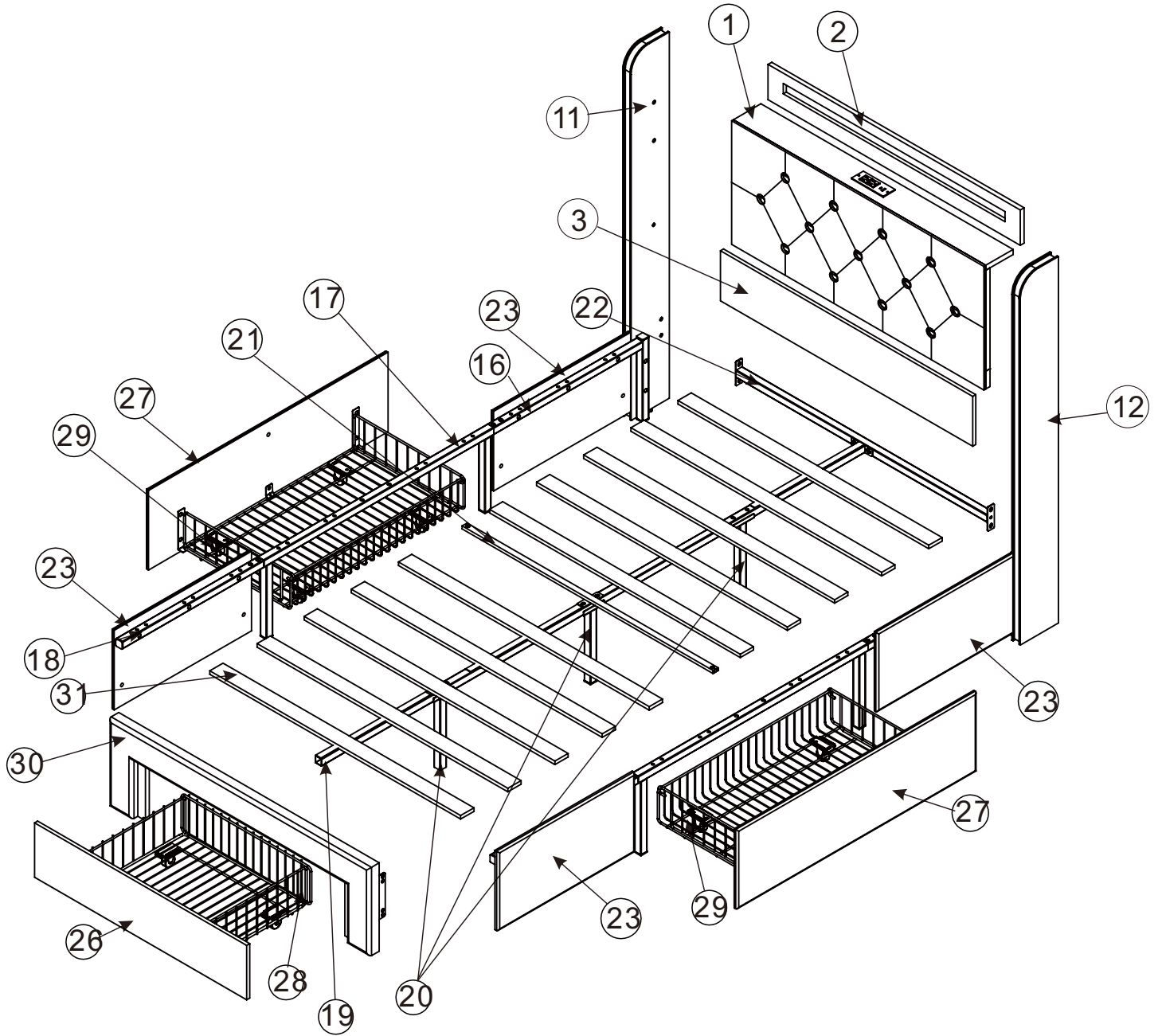
Caution:

1. Please read all instructions before assembly and check the carton for any parts that may have come loose during shipment. It is recommended to use two or more persons during the assembly process.
2. Please do not discard any packaging before you have checked all the parts and fittings are included. If for any reason this product needs to be returned it must be returned packed in its original packaging.
3. Assemble this product on a flat and clean surface to avoid scratching.



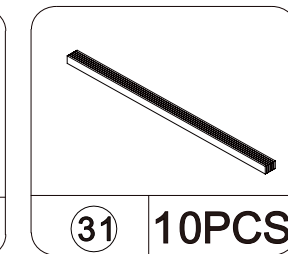
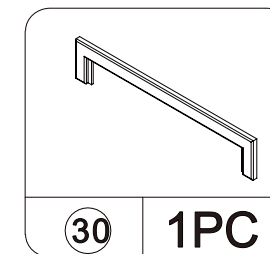
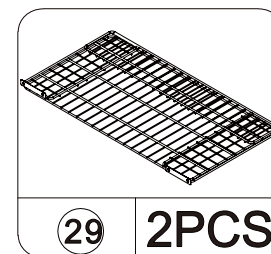
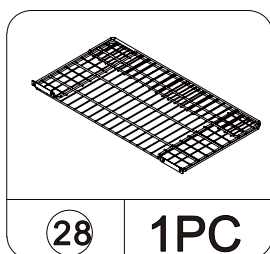
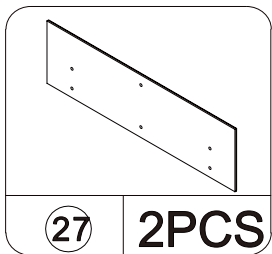
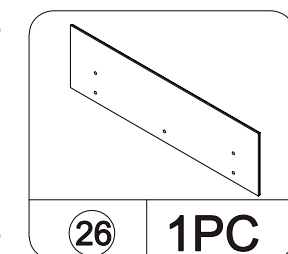
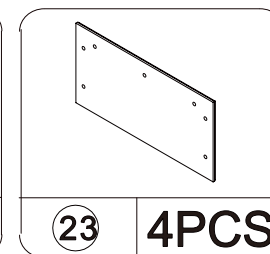
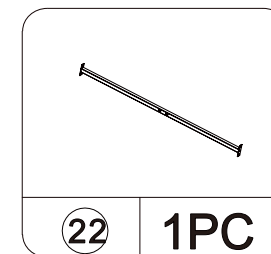
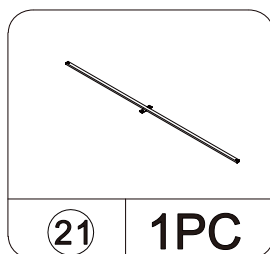
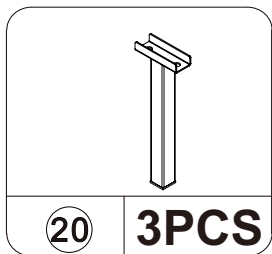
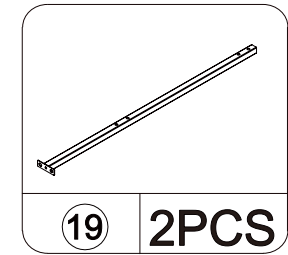
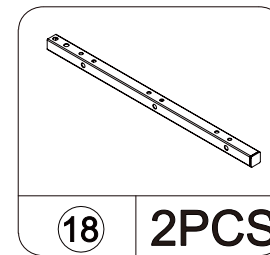
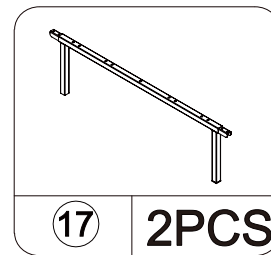
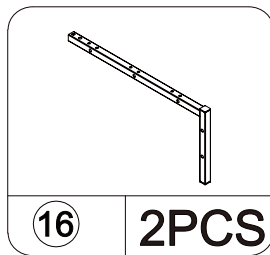
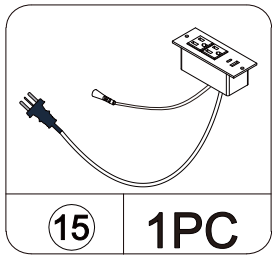
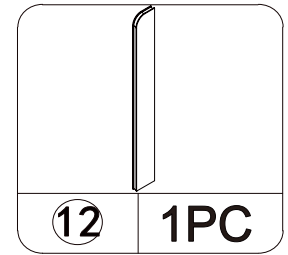
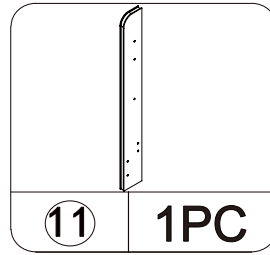
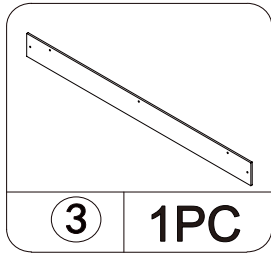
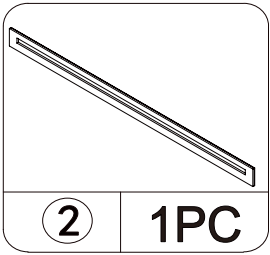
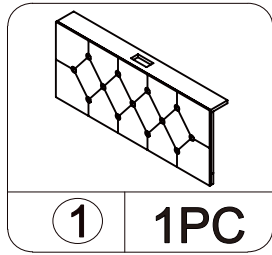
- I. Ensure that all parts and hardware are available before beginning assembly.
- II. Follow each step carefully to ensure the proper assembly of the product.
- III. Two people are recommended for ease in the assembly of this product.

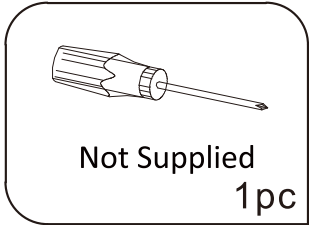
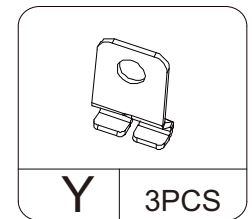
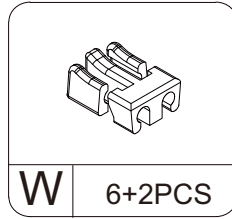
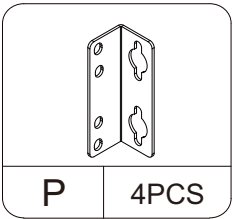
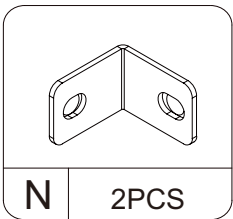
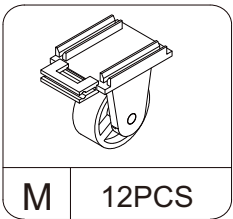
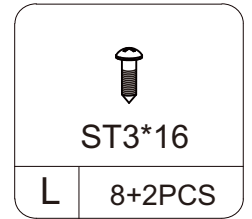
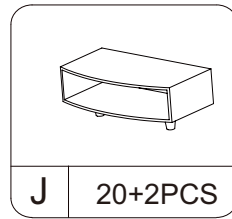
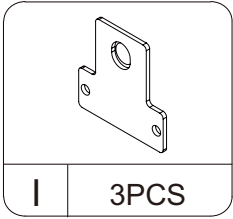
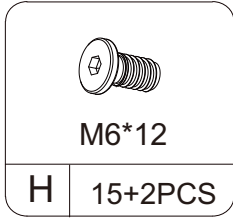
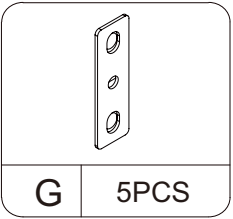
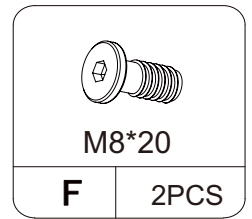
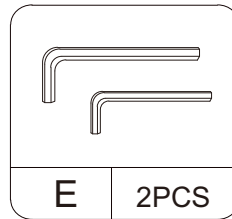
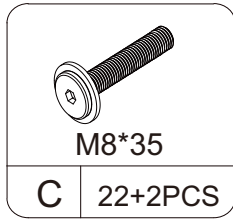
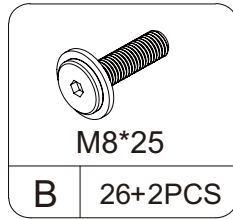
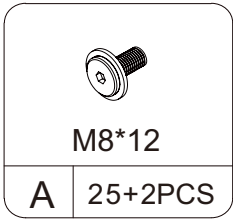
GENERAL ASSEMBLY GUIDELINES



Hardware List

 **Pls make sure all the accessories are complete!**



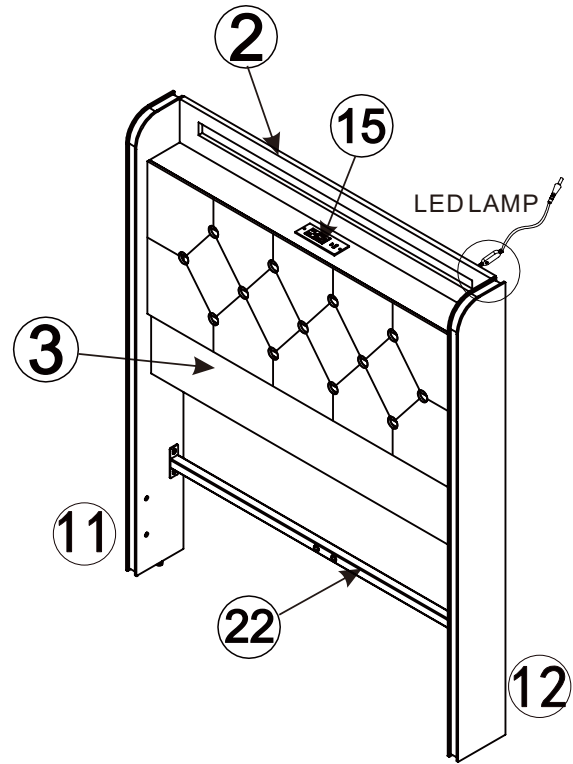
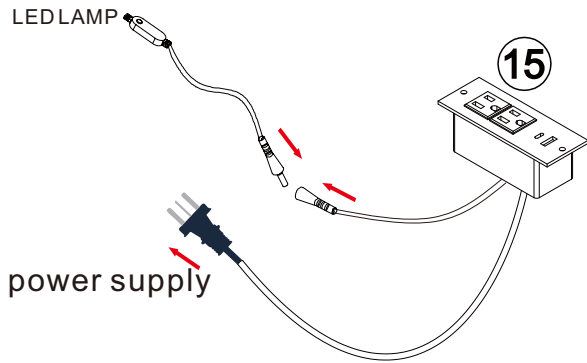


You can choose mobile control or button control

Mobile phone control steps:

1. Connect LED Lamp and RF RGB Controller.
2. Plug in the Adaptor Power supply.
3. Scan the RF RGB Controller QR code on the controller and download the software Happylighting.
4. Turn on the Bluetooth function of the mobile phone and search for Bluetooth pairing "Trinoes".
5. Open the APP and switch colors change, etc.

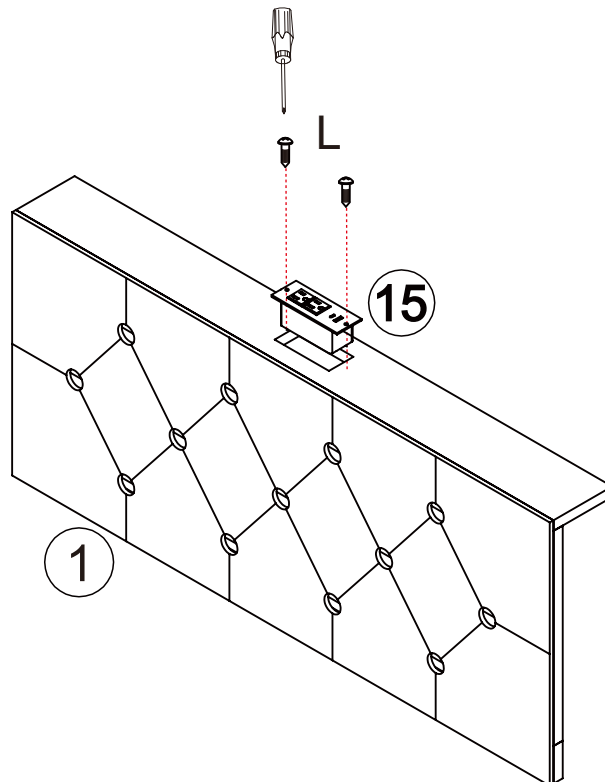
LED LAMP connected to ⑮



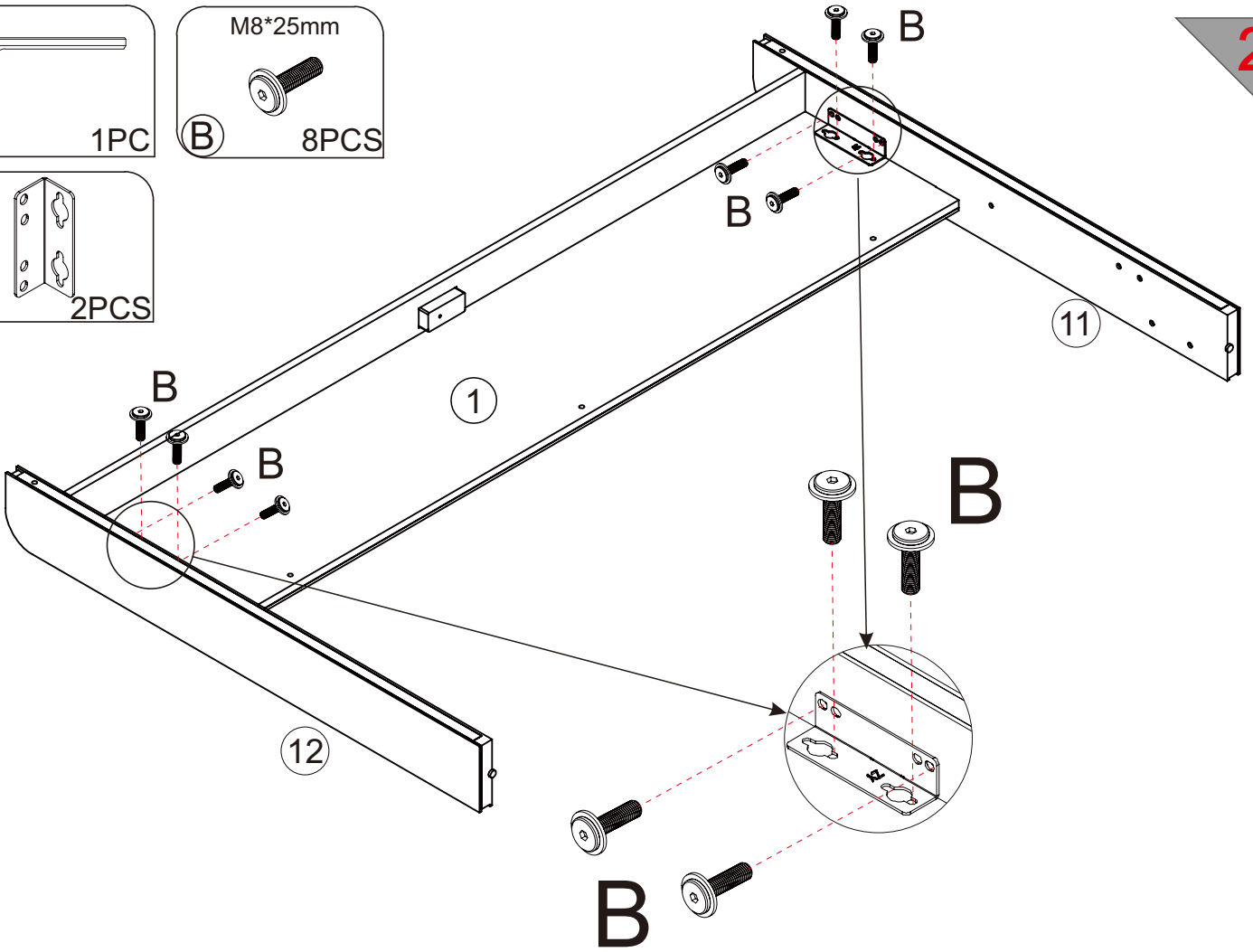
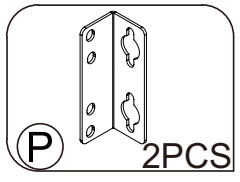
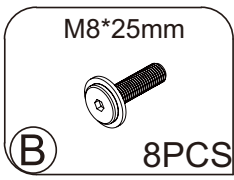
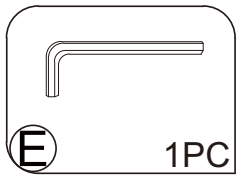
ST3*16

① 2PCS

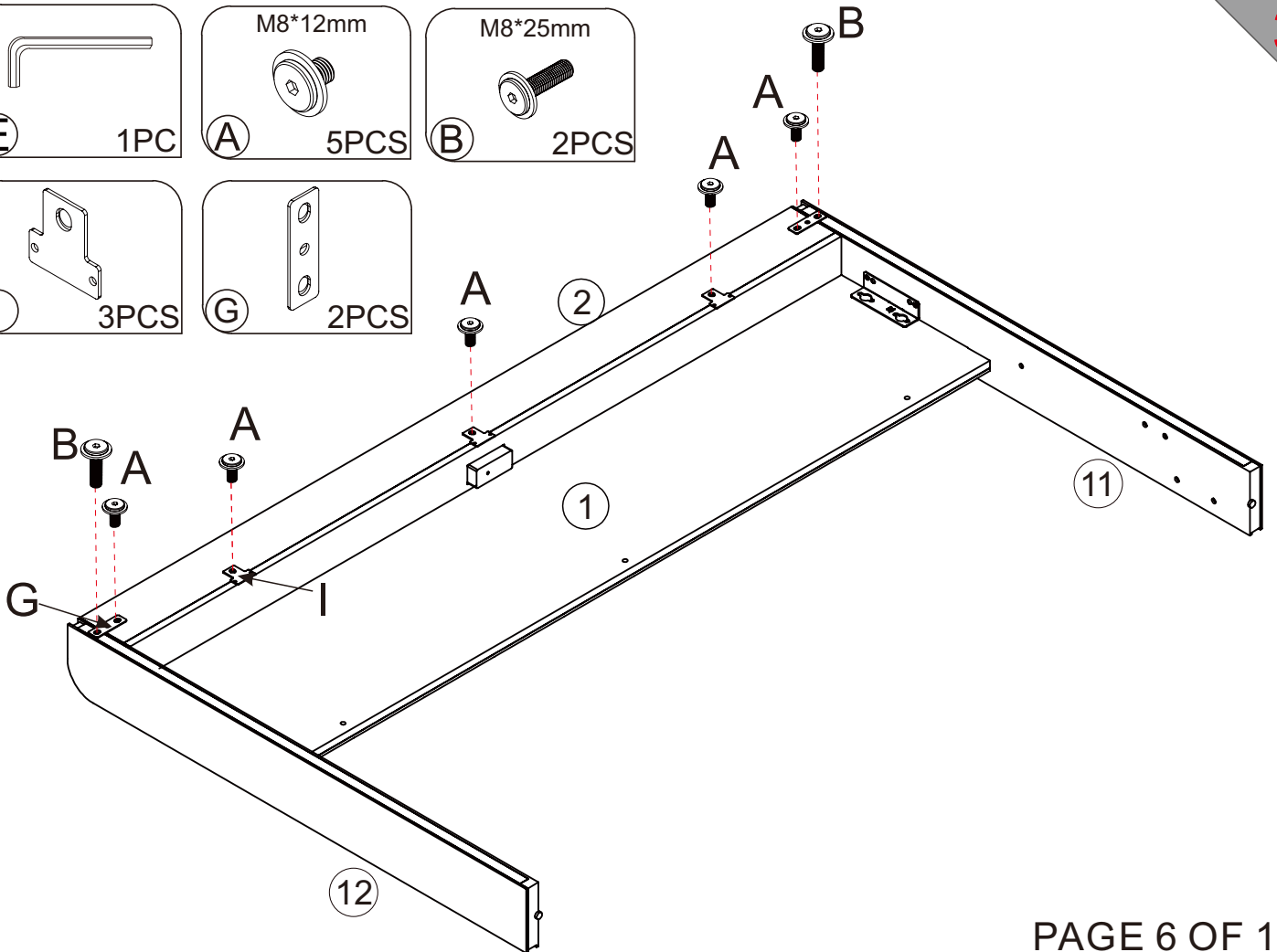
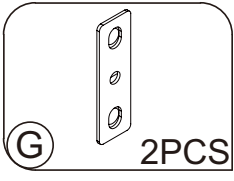
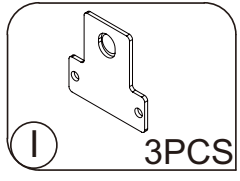
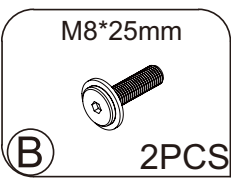
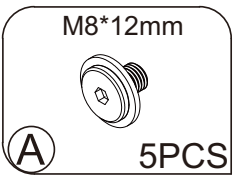
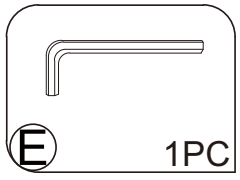
Not Supplied
1pc



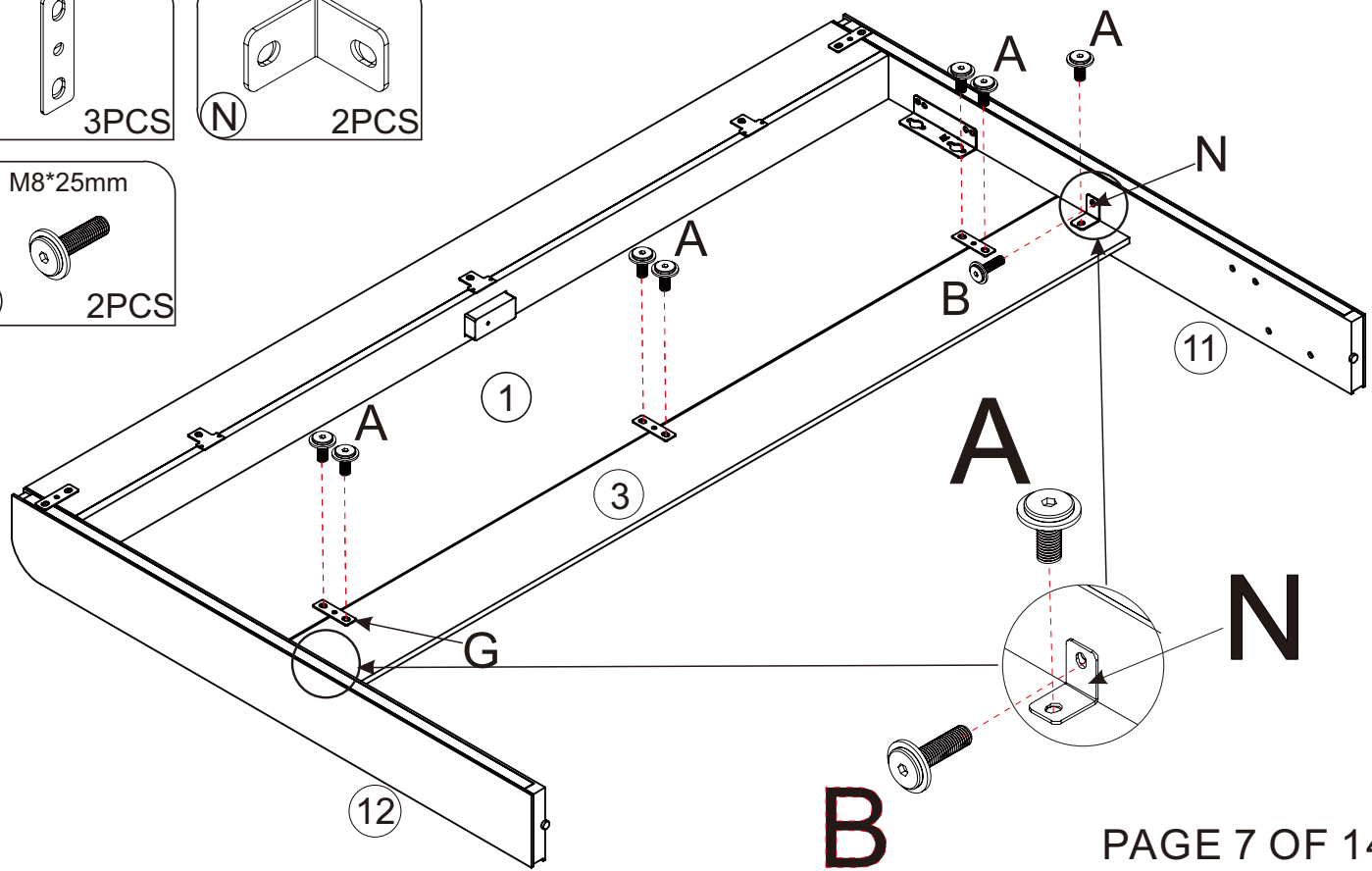
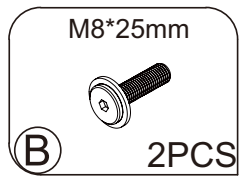
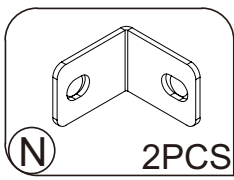
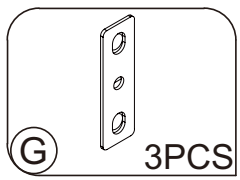
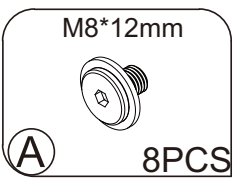
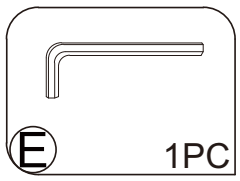
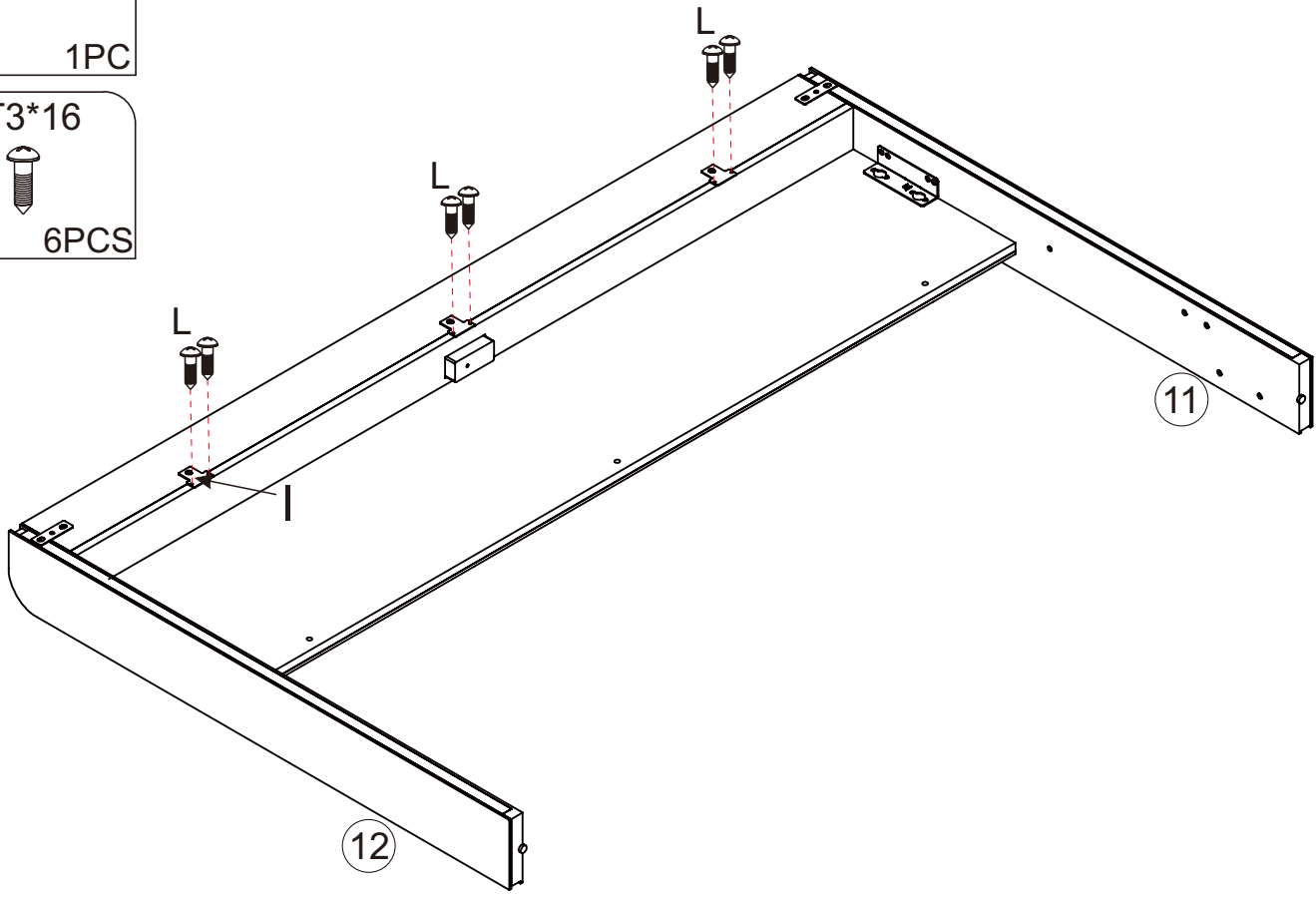
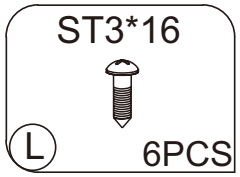
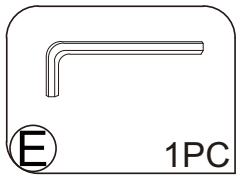
1

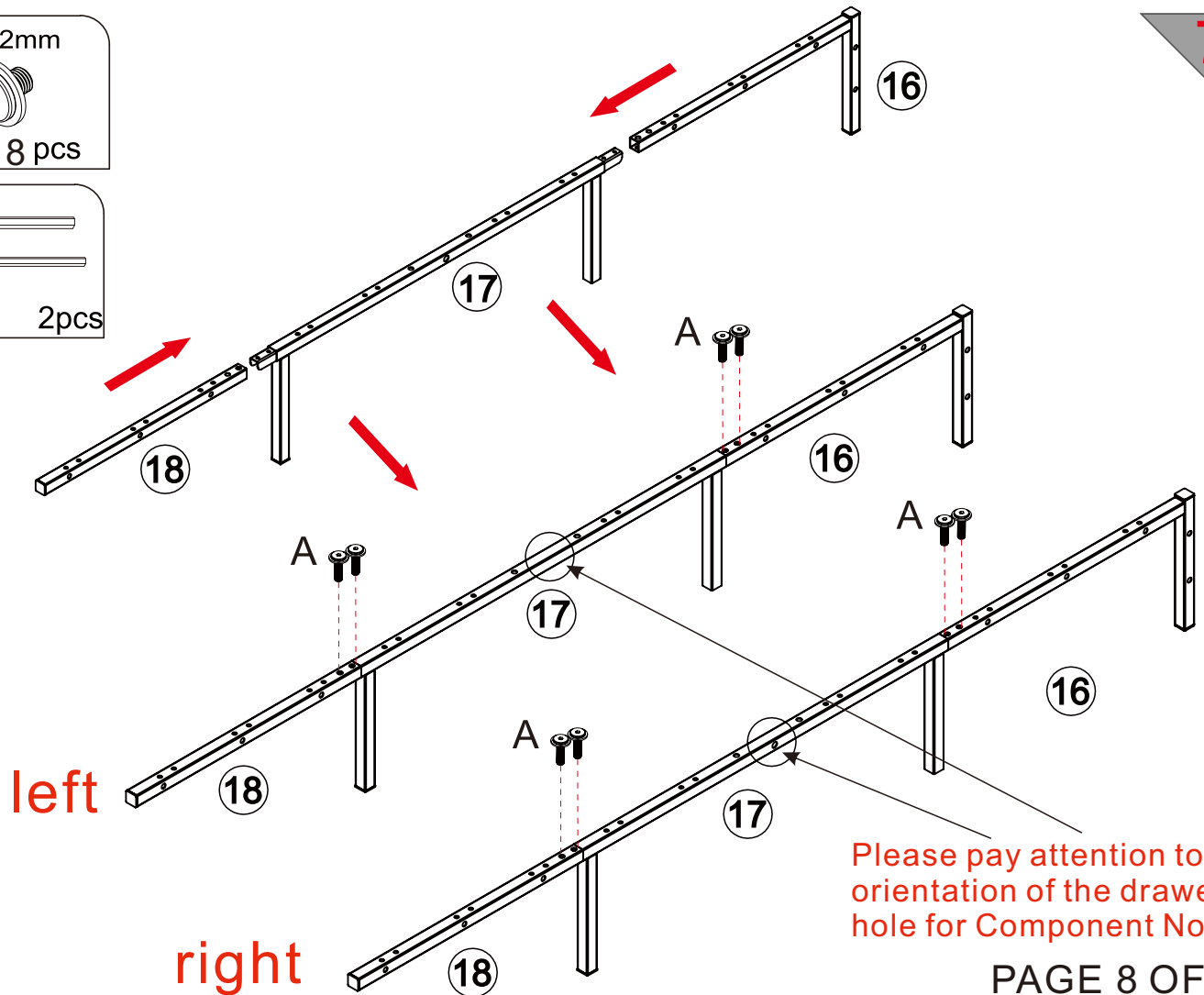
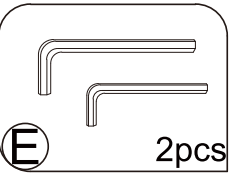
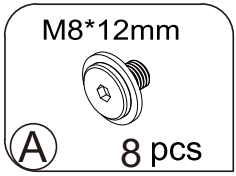
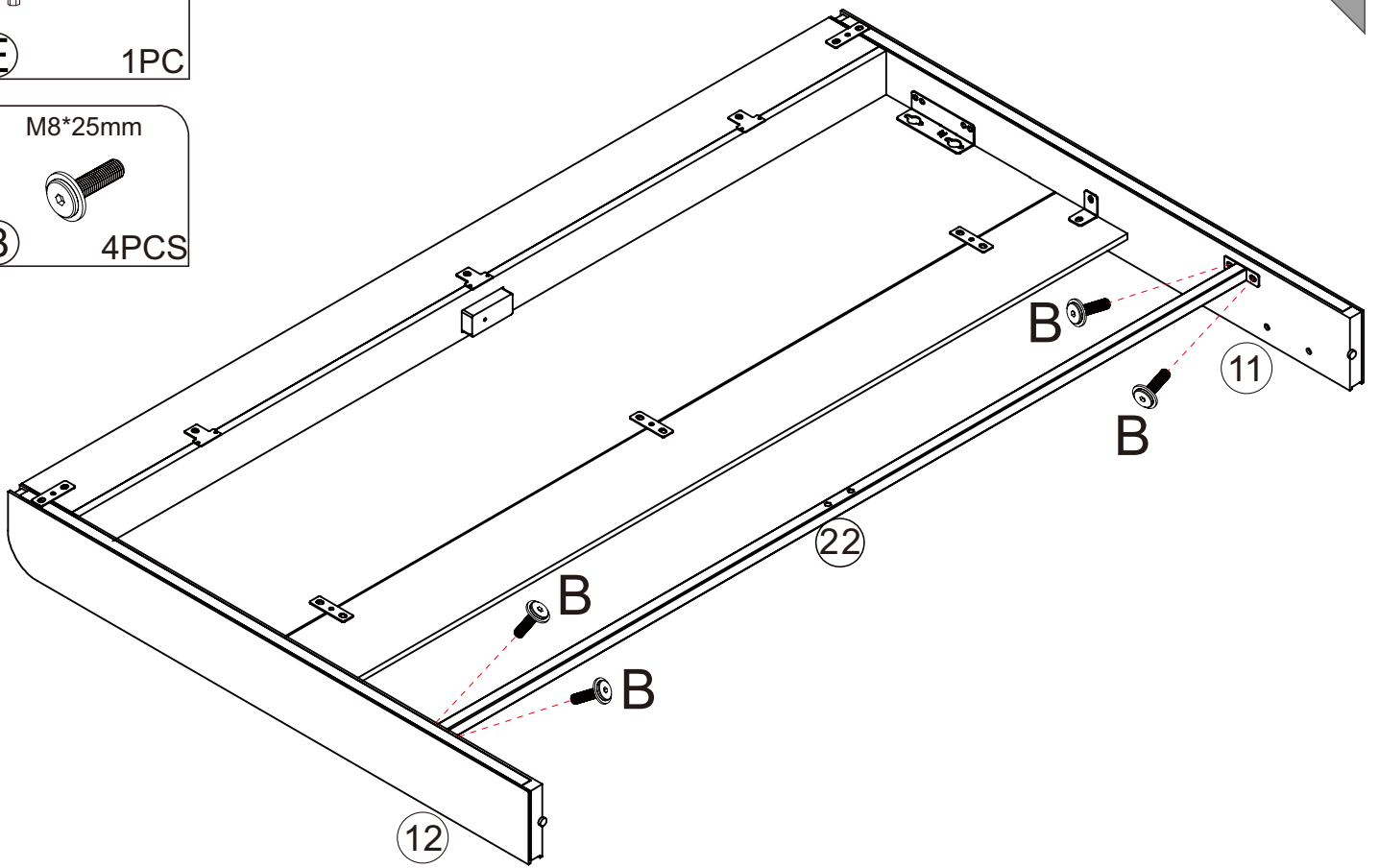
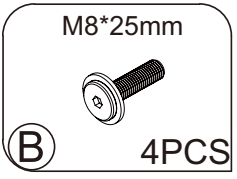
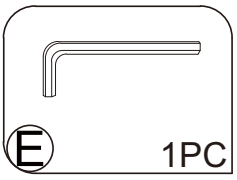


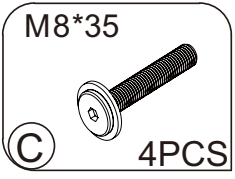
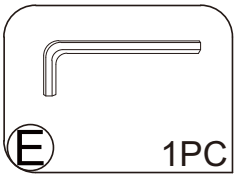
2



3

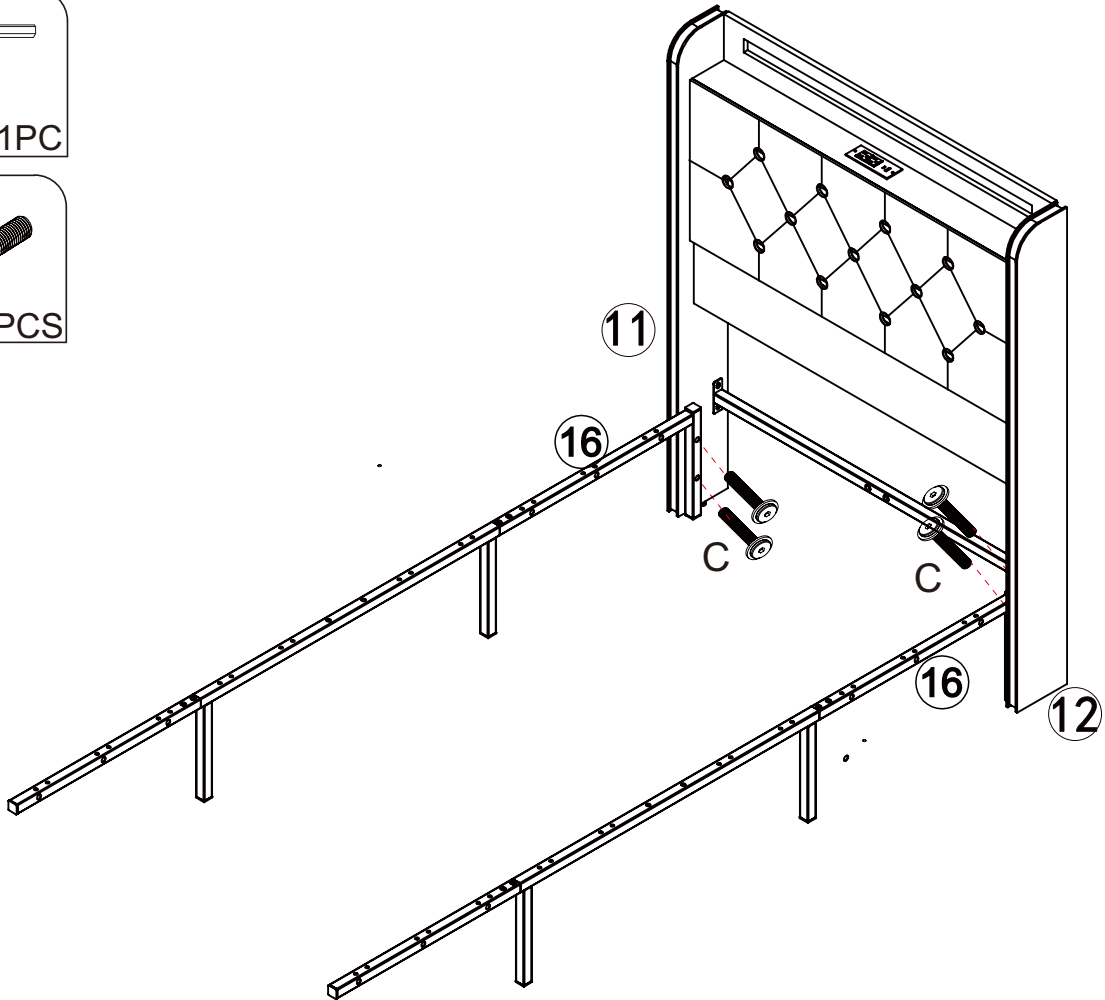




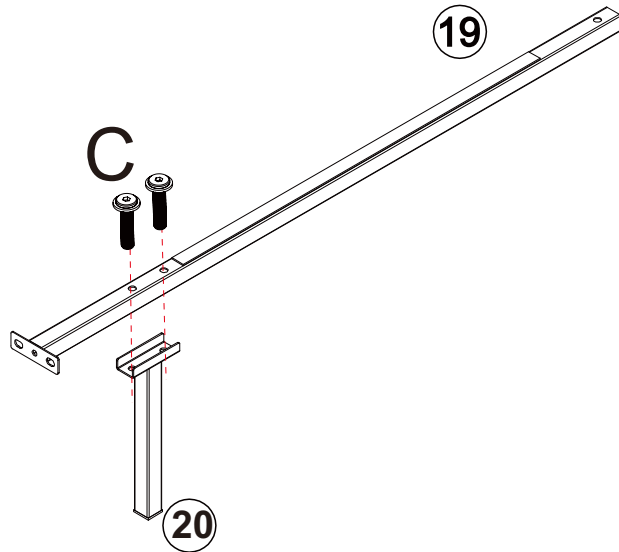
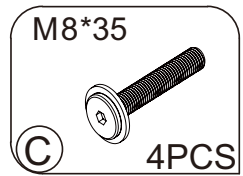
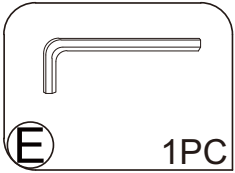


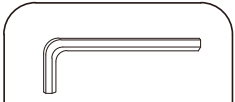
left

right



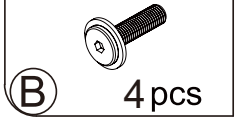
X2



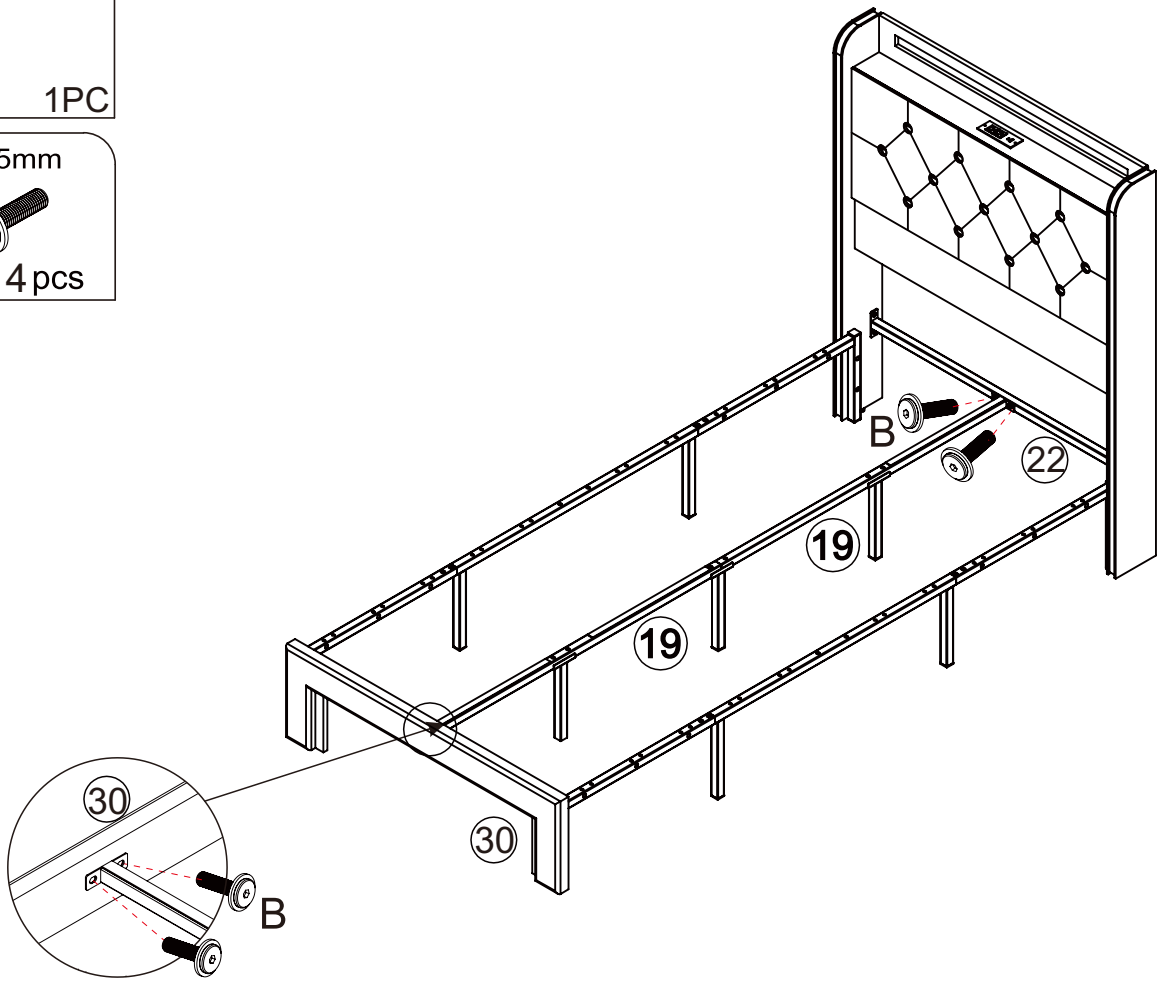


(E) 1PC

M8*25mm

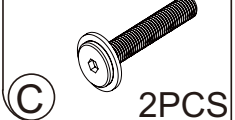


(B) 4 pcs



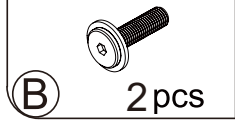
(E) 1PC

M8*35

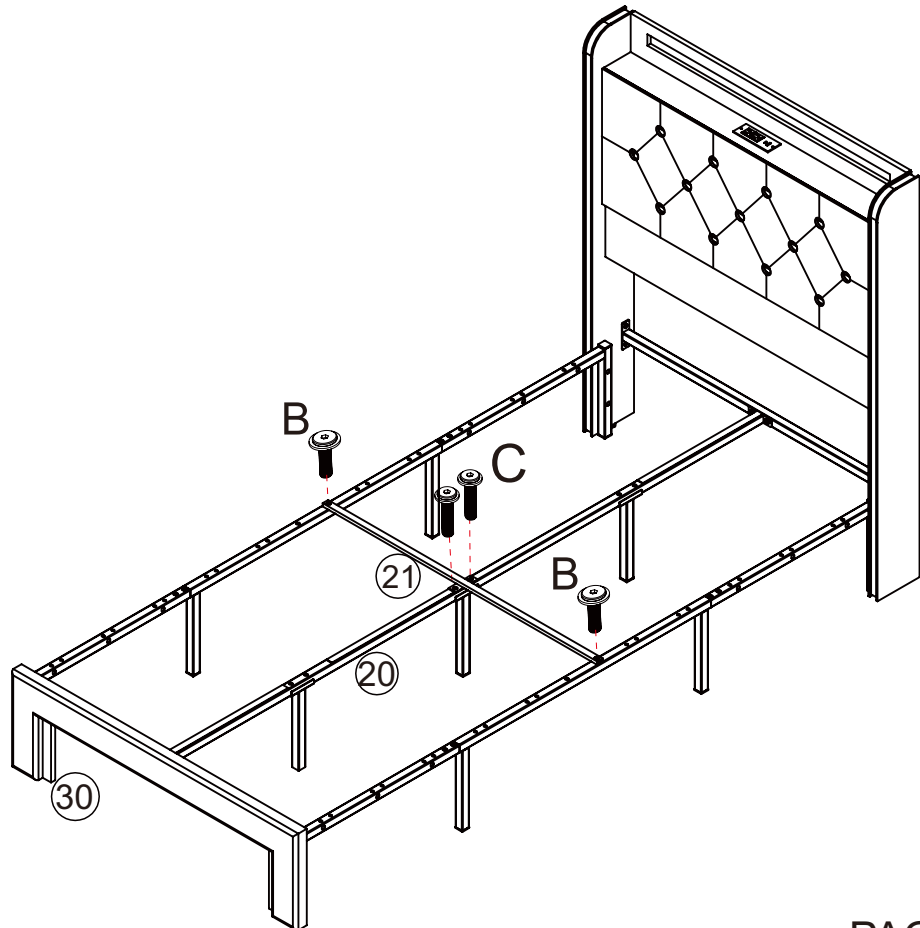


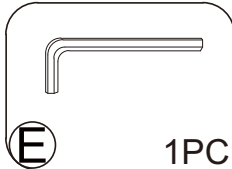
(C) 2PCS

M8*25mm

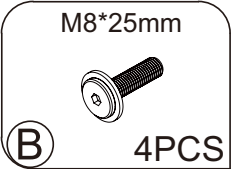


(B) 2 pcs

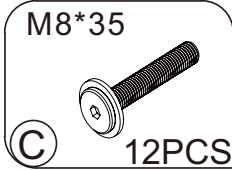




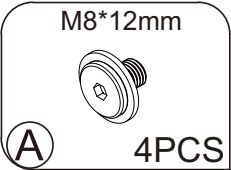
1PC



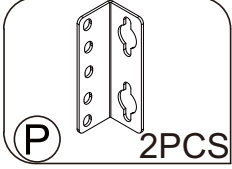
4PCS



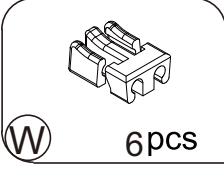
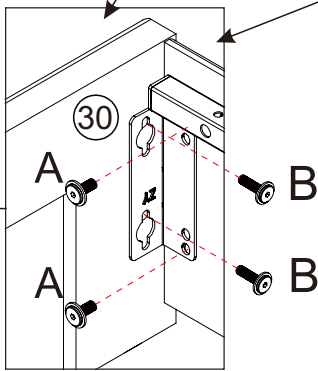
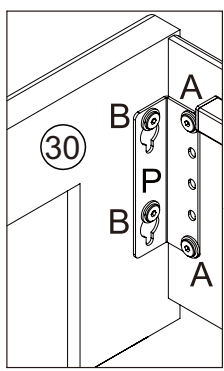
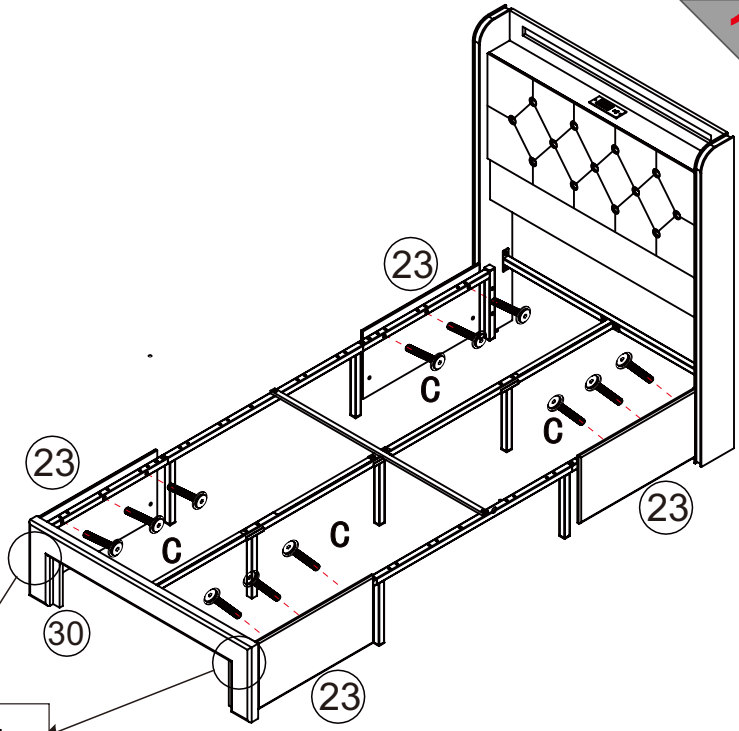
12PCS



4PCS

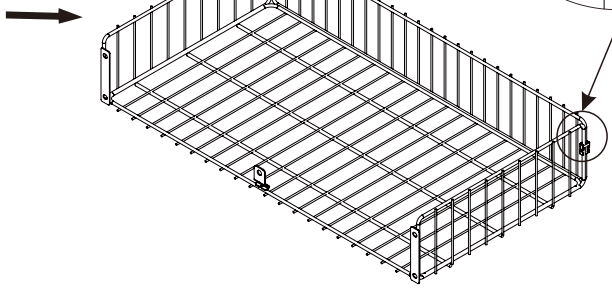
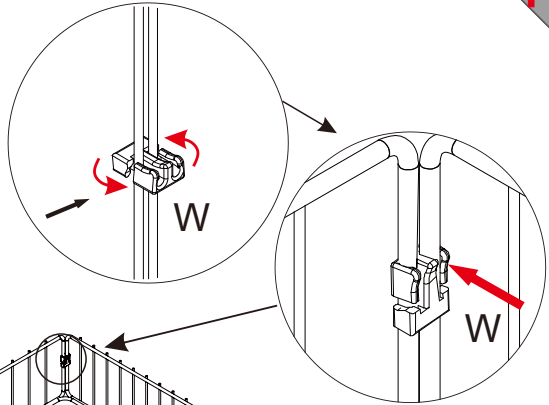
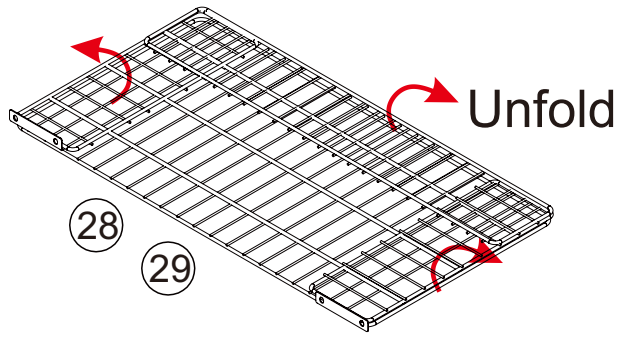


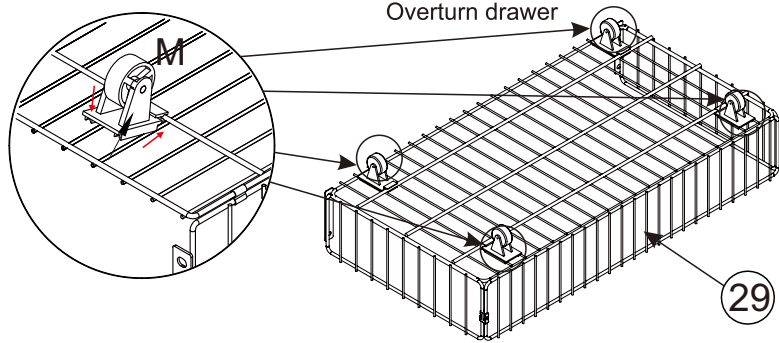
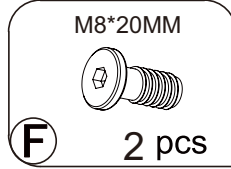
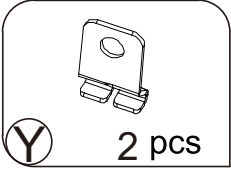
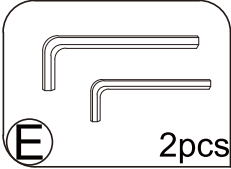
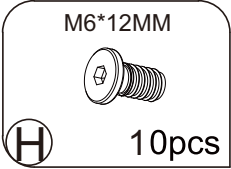
2PCS



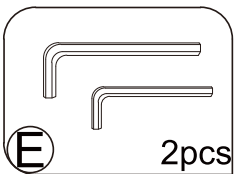
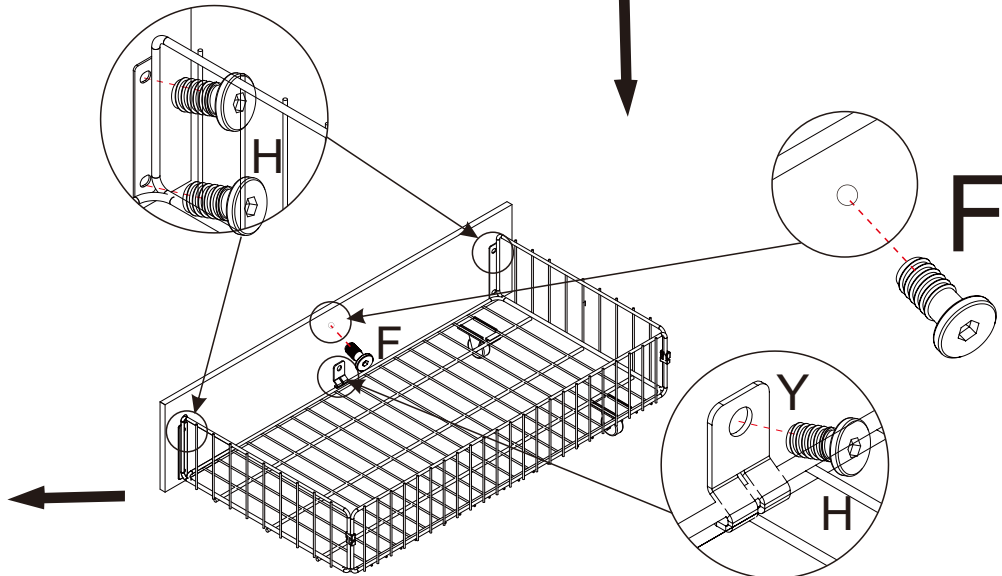
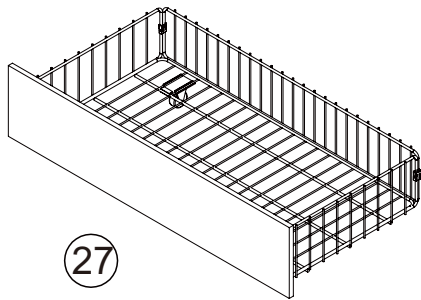
6pcs

X3



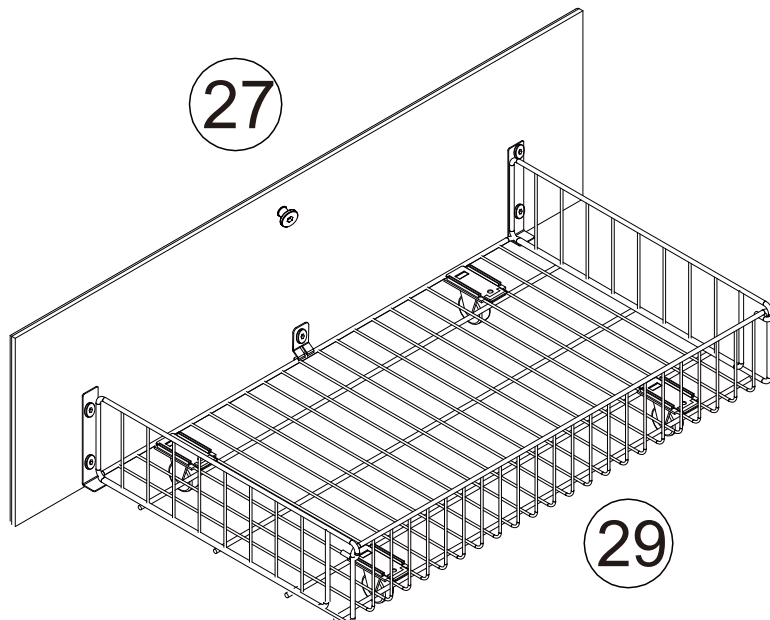


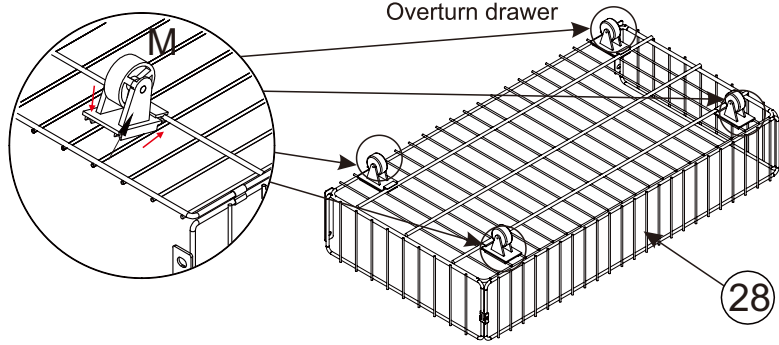
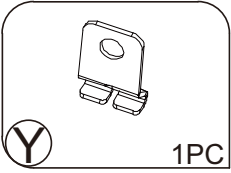
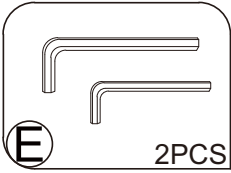
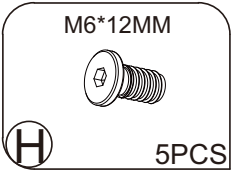
27 matched with 29



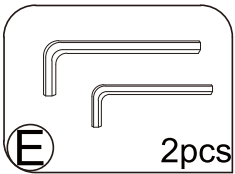
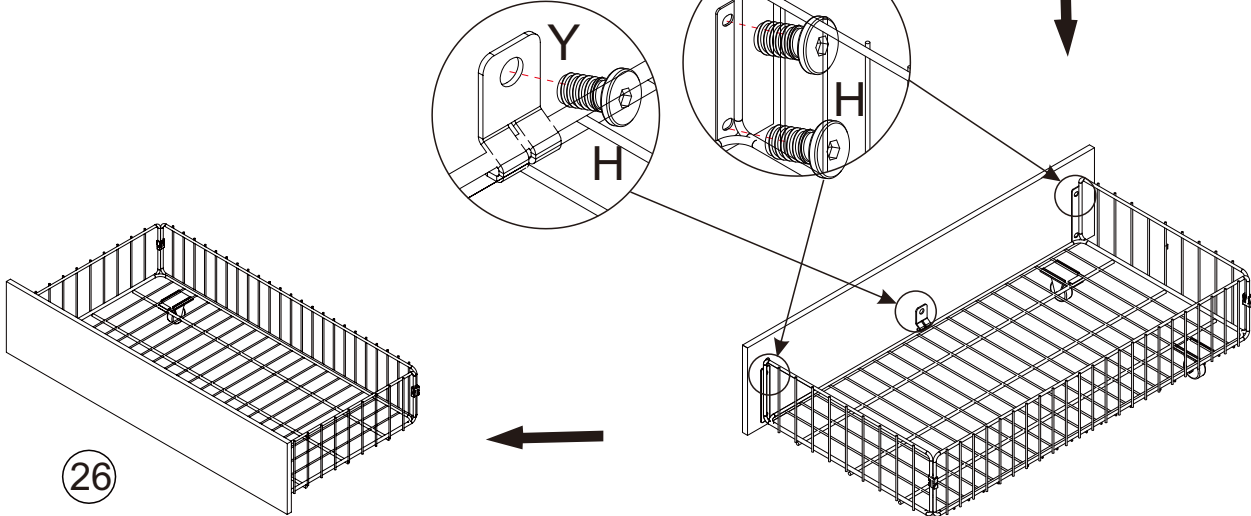
X2

SIDERAIL BRACKET





26 matched with 28



X1

FOOTBOARD BRACKET

