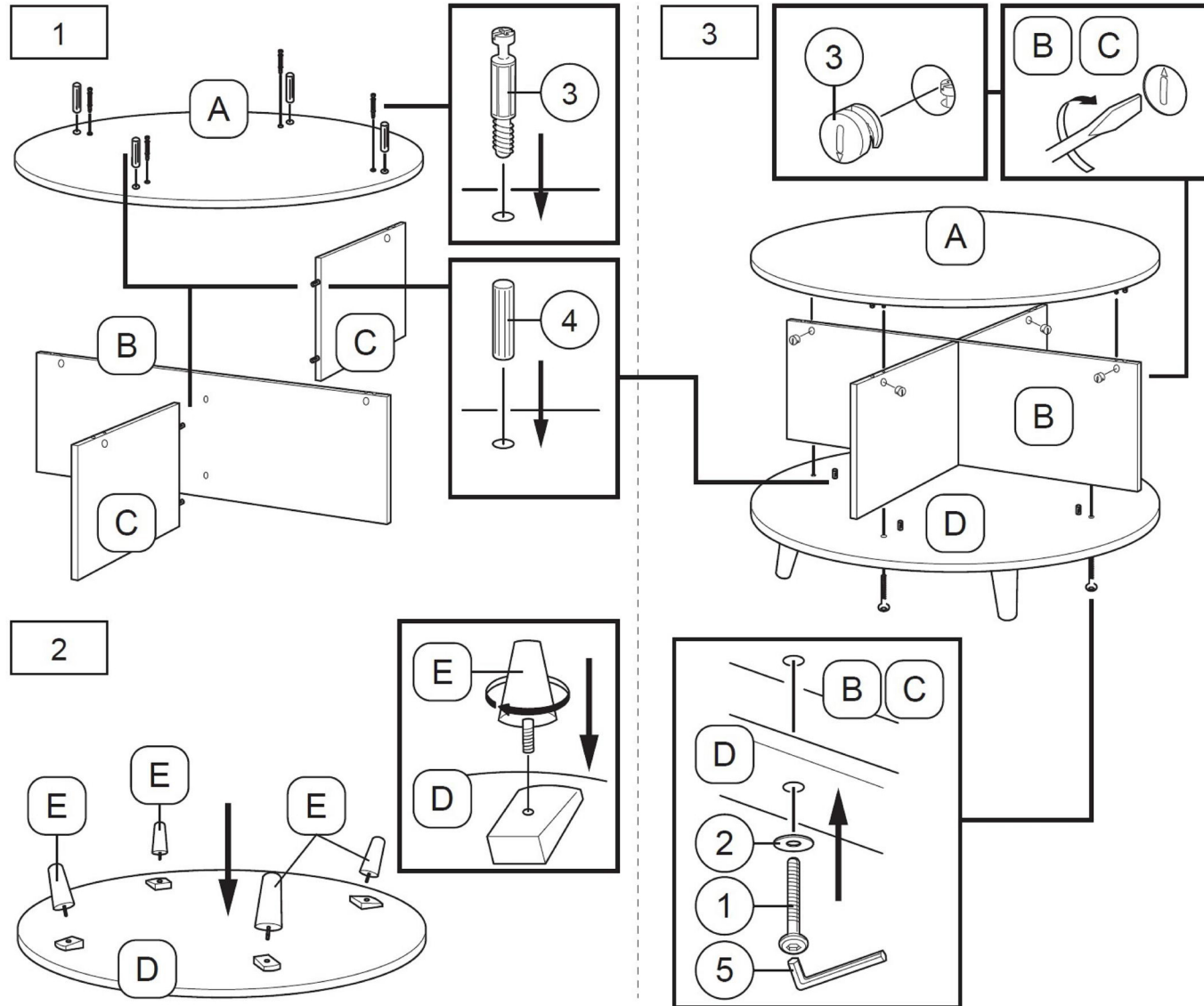


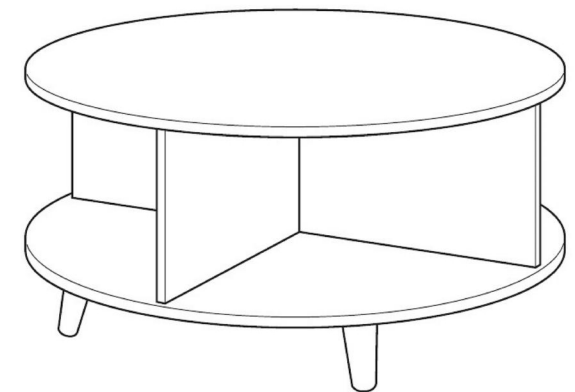
# ASSEMBLY INSTRUCTION

- Important note: - Place all wooden part on a clean and smooth surface such as rug or carpet to avoid the part from being scratch.  
 - Please follow the assembly instruction step by step.  
 - Do not tighten all screw until the table is fully set-up.



No	Hardware List		Qty.
1	JCBC M6 x 35mm		4 pcs
2	M6 Flat Washer		4 pcs
3	Mini Fix 2 in 1		4 pcs
4	Wood Dower M8 x 30mm		12 pcs
5	M4 Allen Key		1 pc

No	Part List	Qty.
A	Table Top	1 pc
B	Long Center Support	1 pc
C	Short Center Support	2 pcs
D	Base	1 pc
E	Round Leg	4 pcs



COMPLETED ASSEMBLY