

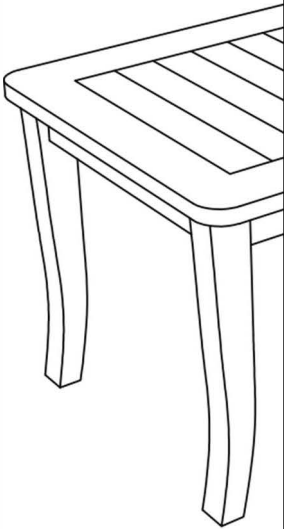
# Owner Manual



SIDE TABLE

# WARRANTY

We strive to offer high quality product and we also try our best to satisfy each customer that order from us, no matter on products or services as needed. Each customer receives a record of their order, such as the order number or item receipt. For any items that are out of warranty period, you may still be able to purchase the replacement parts from our company if they are available.



# MAINTENANCE AND WARNING

Please read the manual thoroughly  
before you start installing.

Please keep the product away from  
sharp object.

Packaging and small parts may have  
chocking hazard, please keep them away  
from children and pets.

Please clean the product according to each  
clean code, check the product description  
for more information.

Please keep the product away from  
fire.

If you have any other questions, please  
contact us, we will be glad to help you out.

If the product is placed under direct  
sunlight, the pattern or color might fade  
away overtime.

Check the product periodically to make  
sure everything is secured and tightened.

Always use proper tools for installation.

Do not jump on the product.



Around 15 min

# PRODUCT DESCRIPTION

Crafted entirely from premium solid teak wood, known for its long-lasting durability.

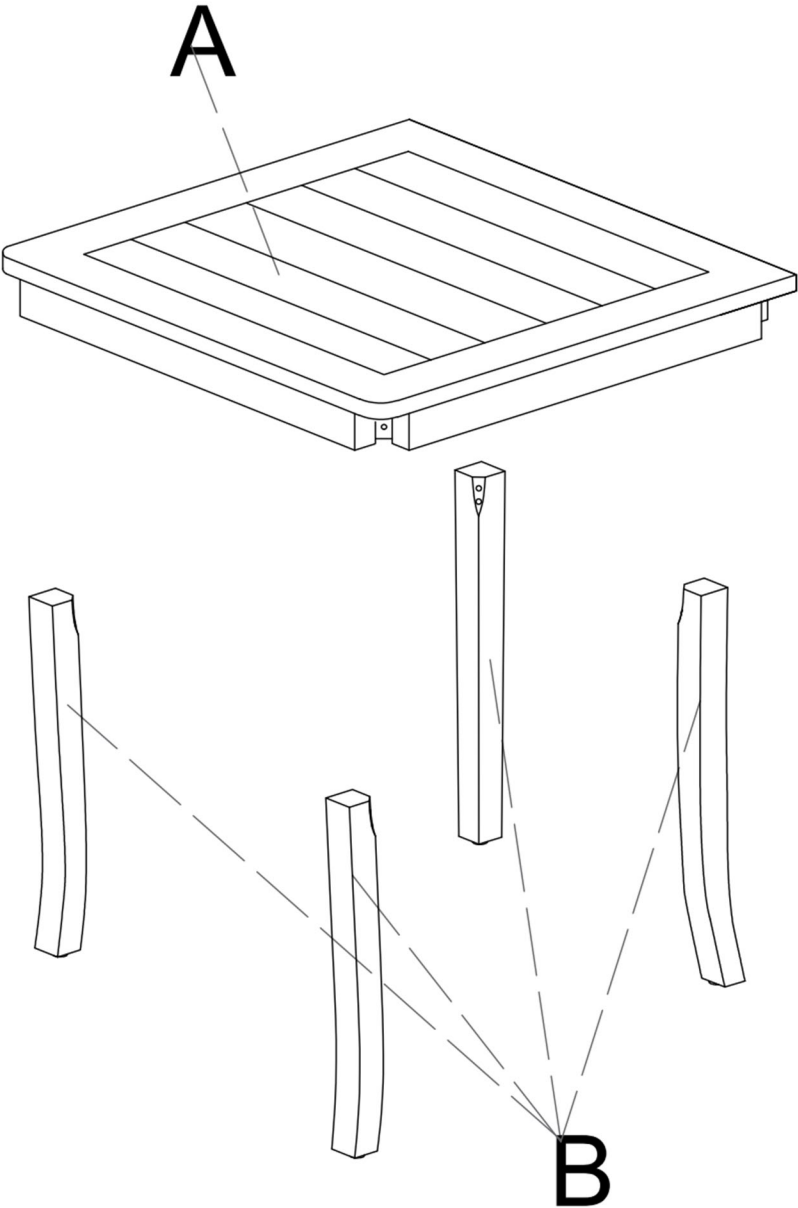
Naturally withstands outdoor elements including sunlight, rain, and humidity.

Square tabletop offers a functional space for beverages, books, or décor.

Minimalist design pairs easily with both modern and traditional outdoor furniture.

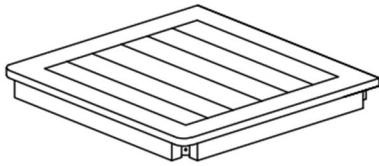
Compact and lightweight, easy to reposition for flexible outdoor use.

# EXPLODED VIEW



# PARTS

A\*1



Side table top

B\*4



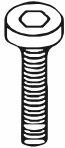
Legs

# HARDWARE

## TOOL LIST

NOTE: Designated with (★) We provide additional spare parts in the hardware package

①x8



★ M6\*45mm  
Bolt

②x8



★ Flat washer

③x1

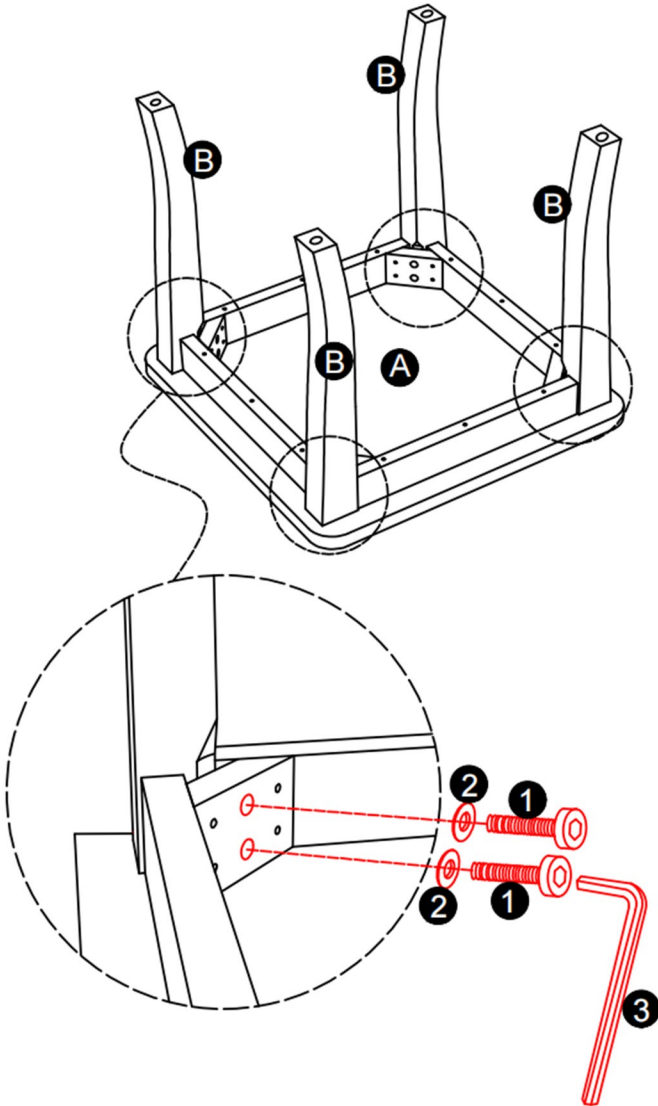


Allen key

Please make sure all hardware & packing material fitting the list. Especially some small accessories may be missing during transportation. Please contact us if you have any question.

# step 1

Place the Table Top (A) upside down on a clean surface as shown. First, place one flat washer (2) on each bolt (1), then use the allen wrench (3) provided to tighten the table legs to each corner of the Table Top.



# step 2

Congradualtions! The assembly has complete! Thank you again for choosing our product, please enjoy!



# step 3

