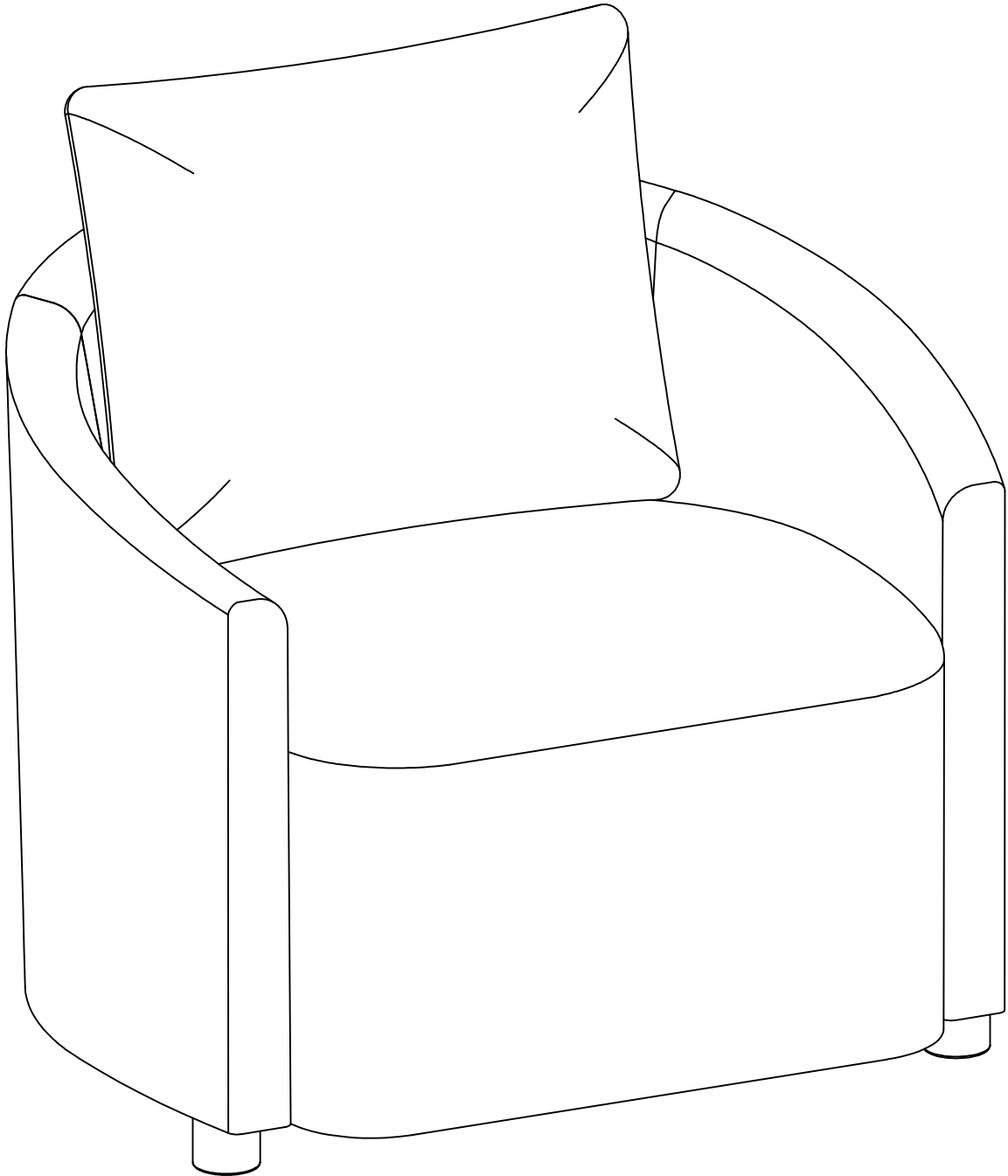
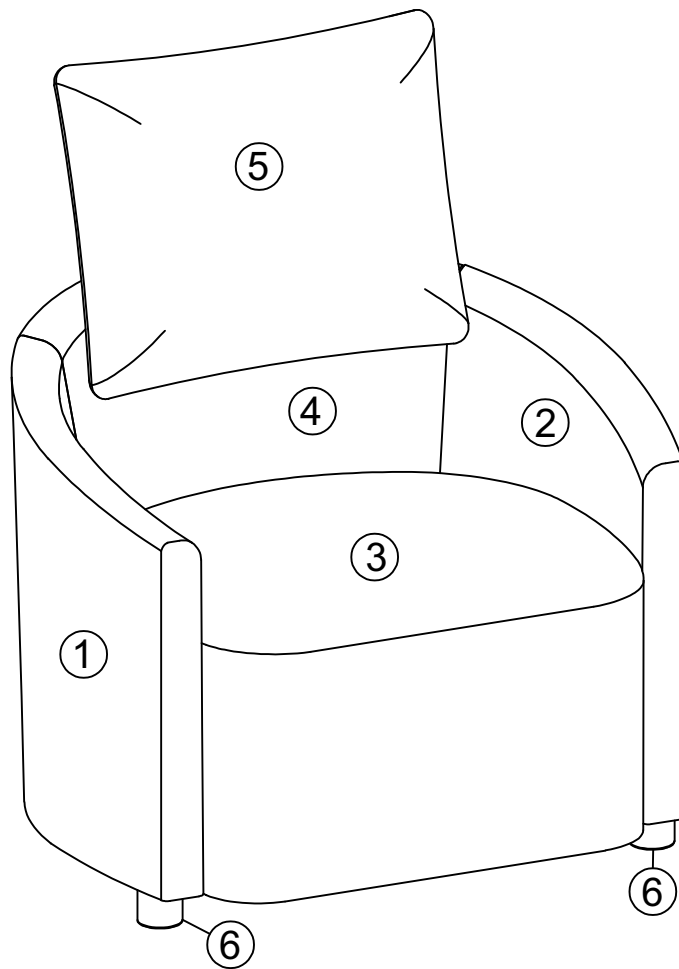


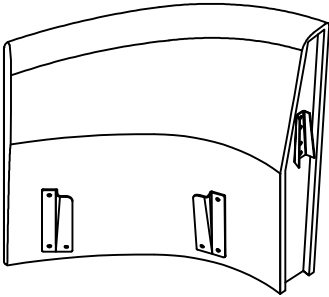
# INSTRUCTIONS



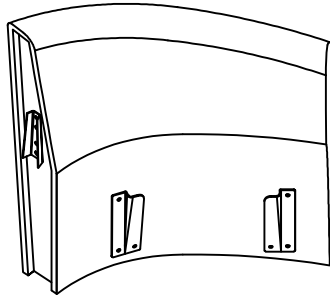
**Notes:** Chair might be a little hard due to being compressed in package and long-time transport, but it will soften over time in use.



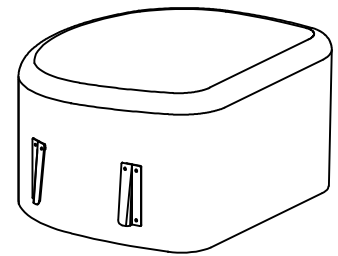
## Components



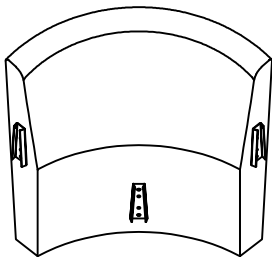
① Left Hand Facing Arm x 1



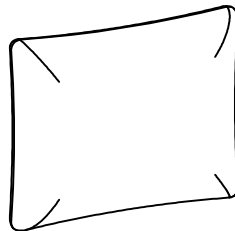
② Right Hand Facing Arm x 1



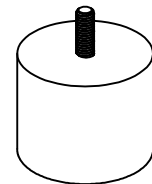
③ Seat x 1



④ Back x 1



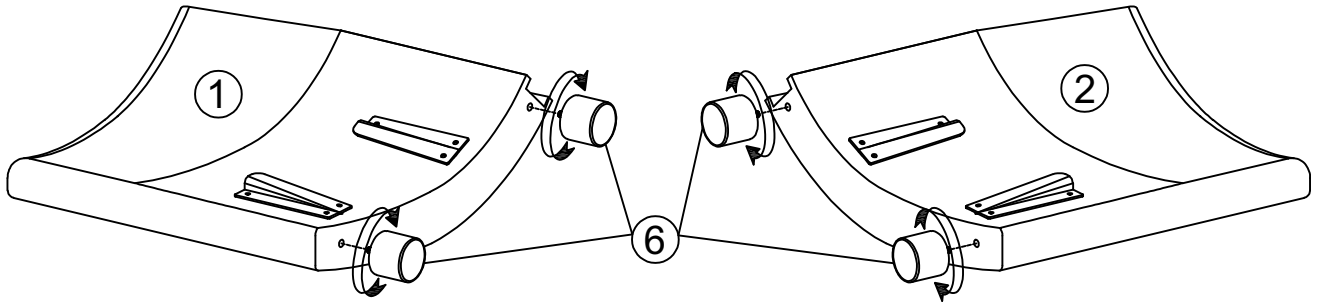
⑤ Pillow x 1



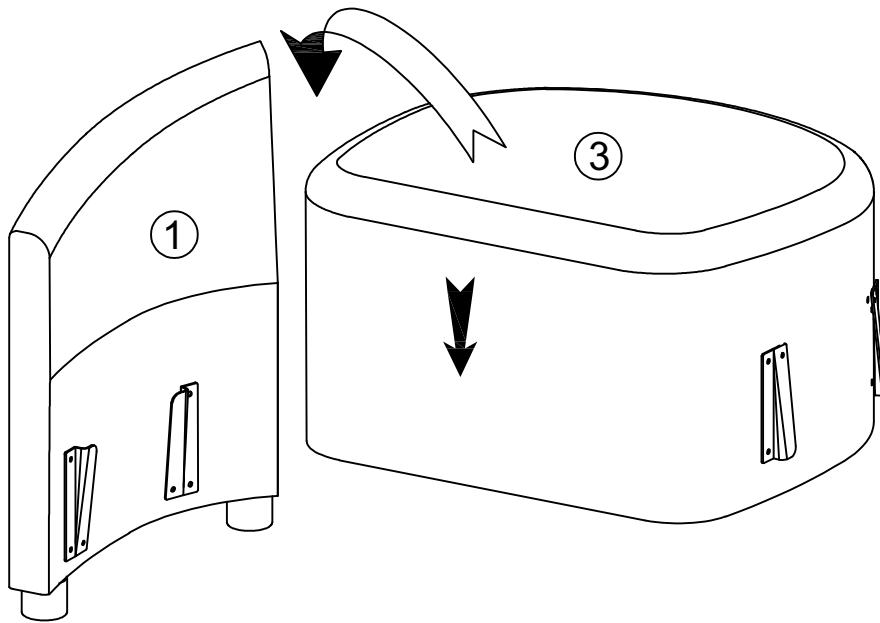
⑥ Leg x 4

## Assembly Steps

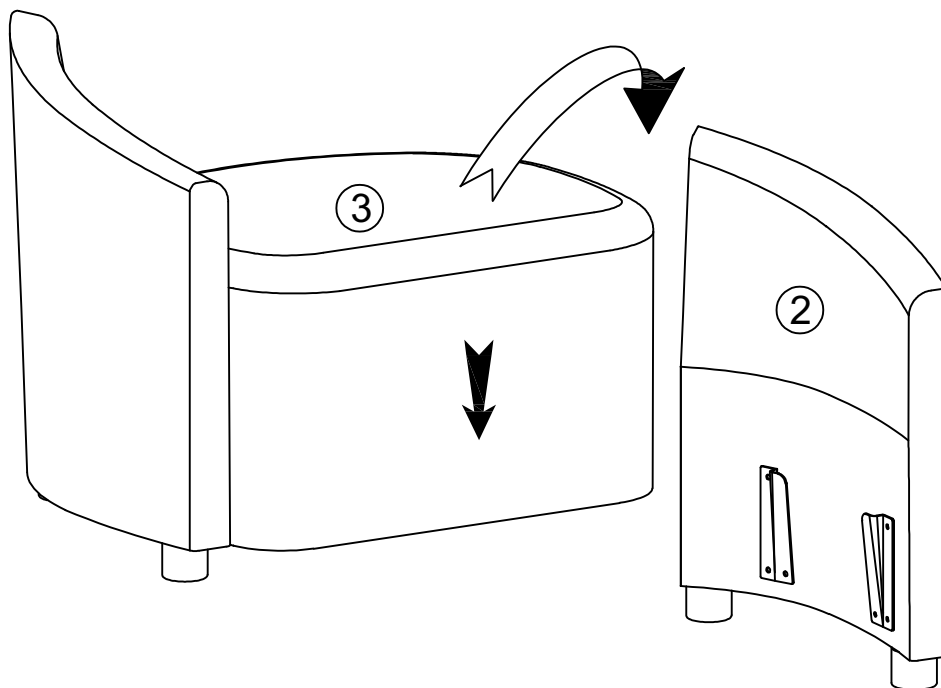
### STEP 1



### STEP 2

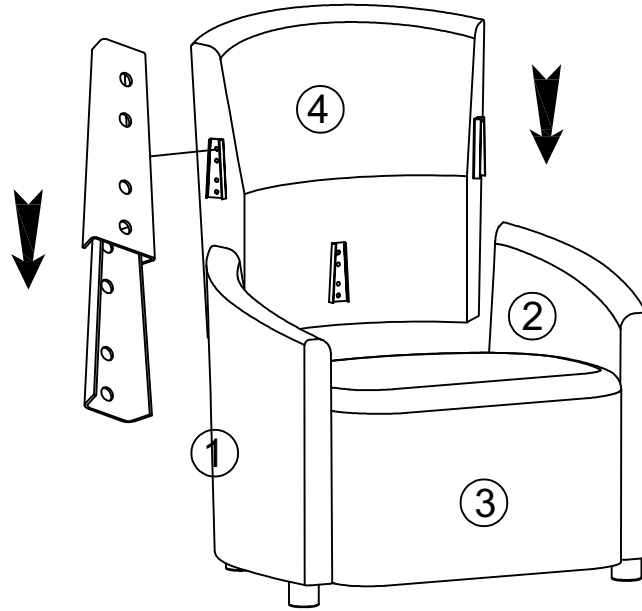


### STEP 3

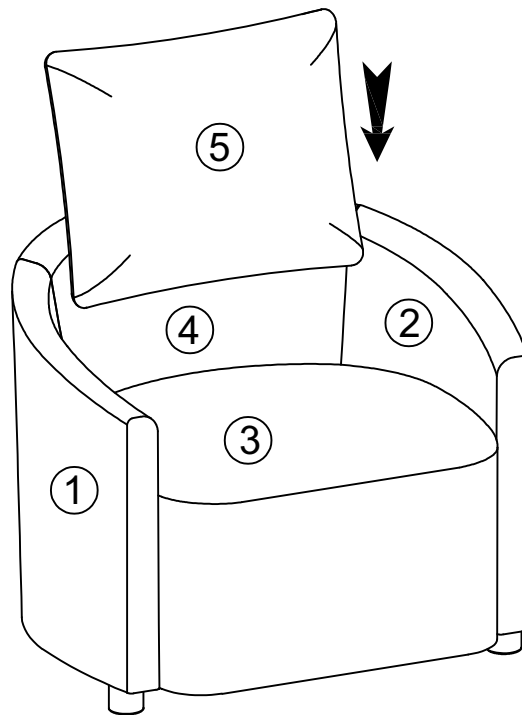


**Note Step 2&3:** Lift the seat base and align the connector with the corresponding slot on the armrest. Insert and secure one side at a time, starting with the left-hand side, followed by the right-hand side.

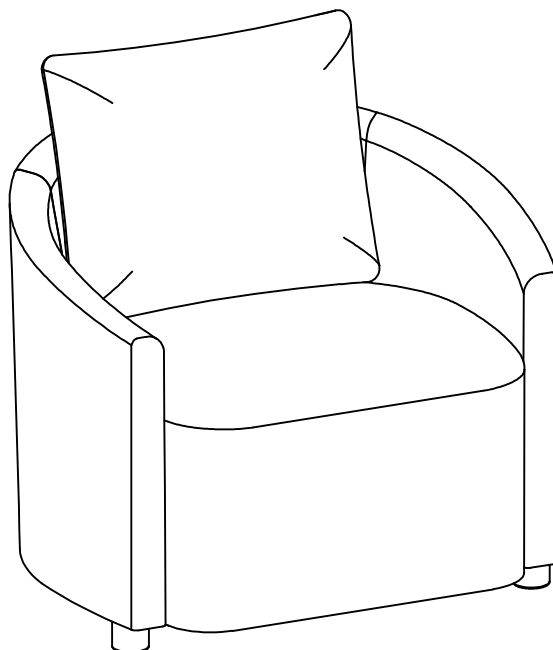
## STEP 4



## STEP 5



## STEP 6



**Complete.**

# CARE & MAINTENANCE



Do not put hot items directly on furniture surface.



Do not clean furniture with harsh cleansers or polish.



Dust and pick up spills using a clean, non-colored, lint-free cloth.



Stains may be removed with mild soap solution and a damp cloth.



Do not place furniture under direct sunlight.



Do not place furniture near heating or cooling vents.



Do not write on furniture without a passed barrier to protect the surface.



Do not place furniture outside, for indoor use only.



PROHIBIT jumping on it.

---

We genuinely appreciate your purchase of our product. Any problem (installation or damage caused by shipping), please feel free to contact us. Our customer service help to solve the problem for your ASAP, as your satisfaction is our final goal.