

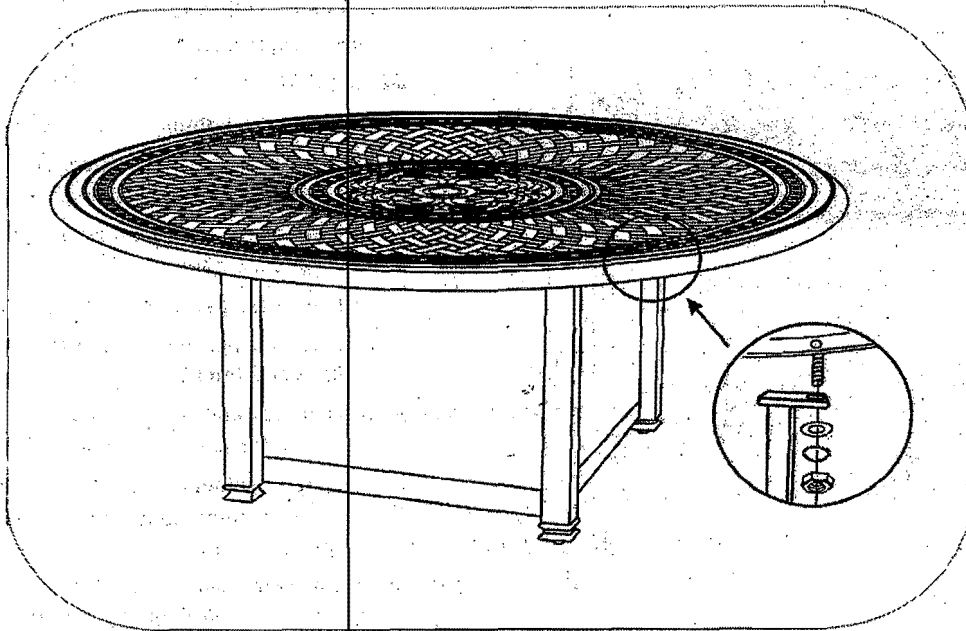
Assembly Instructions



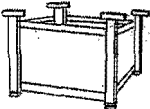



CAUTION

1. Please read instructions carefully and thoroughly before assembling. Check parts against the parts list to make sure you have all the parts needed for proper assembly.
2. Familiarize yourself with the inventory of parts and the accompanying illustrations to ensure safe and proper assembly.

Assembly:

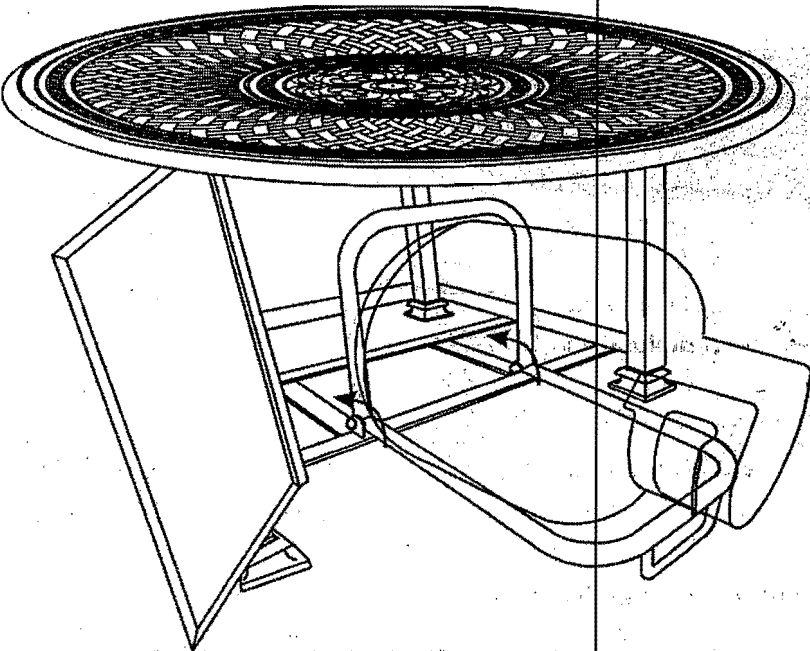
1. Remove all protective material carefully. Avoid cutting the surface of the furniture while removing the packaging material.
2. Carefully turn the table top upside down on a non-abrasive flat surface. Then turn the base on the table top to make the holes of the top and base in one line. Screw bolts into the Table table top and base by using flat washers and lock washers and nuts
3. Carefully turn the table to the upright position and adjust the feet on the bottom of the legs to level the table



Part	Picture	Description	Qty	Part	Picture	Description	Qty
A		Table top	1	D		Nut	4
B		Base	1	E		Flat Washer	4
C		Bolt	4	F		Lock Washer	4

Instruction of the table:

1. Open the door with the attached handle carefully and pull down the support bar for the propane tank.
2. Insert the propane tank laying on its side as seen in the photo then raise the support bar back into an upward position.
3. Attach the end of the hose that goes to the propane tank then attach the other end that goes to the burner.
4. First turn on the propane tank and then light the burner and its ready to use.



WARNING
FOR YOUR SAFETY:
For Outdoor Use Only (outside any enclosure)
Do Not Use For Cooking.

WARNING
FOR YOUR SAFETY:

- ▲ If the information in this manual is not followed exactly, a fire or explosion may result causing property damage, personal injury or loss of life.
- ▲ Do not store or use gasoline or other flammable vapors and liquids in the vicinity of this or any other appliance.
- ▲ **WHAT TO DO IF YOU SMELL GAS:**
 - Do not try lighting any appliance.
 - Do not touch any electrical switch; do not use any phone in your building.
 - Immediately call your gas supplier from a neighbor's phone.
 - Follow the gas supplier's instructions.
 - If you cannot reach your gas supplier, call the fire department.
- ▲ Installation and service must be performed by a qualified installer, service agency or gas supplier.
- ▲ Improper installation, adjustment, alteration, service or maintenance can cause injury or property damage.
- ▲ Read the installation, operation, and maintenance instructions thoroughly before installing or servicing this equipment.
- ▲ Save these instructions for future reference. If you are assembling this unit for someone else, give this manual to him or her to read and save for future reference.

IMPORTANT!

DO NOT MAKE THE FIRE GLASS OR FIRE STONE COVER THE PART SHOWN IN THE FOLLOWING PICUURE, OTHERWISE THE FIFE WILL GO OUT!

